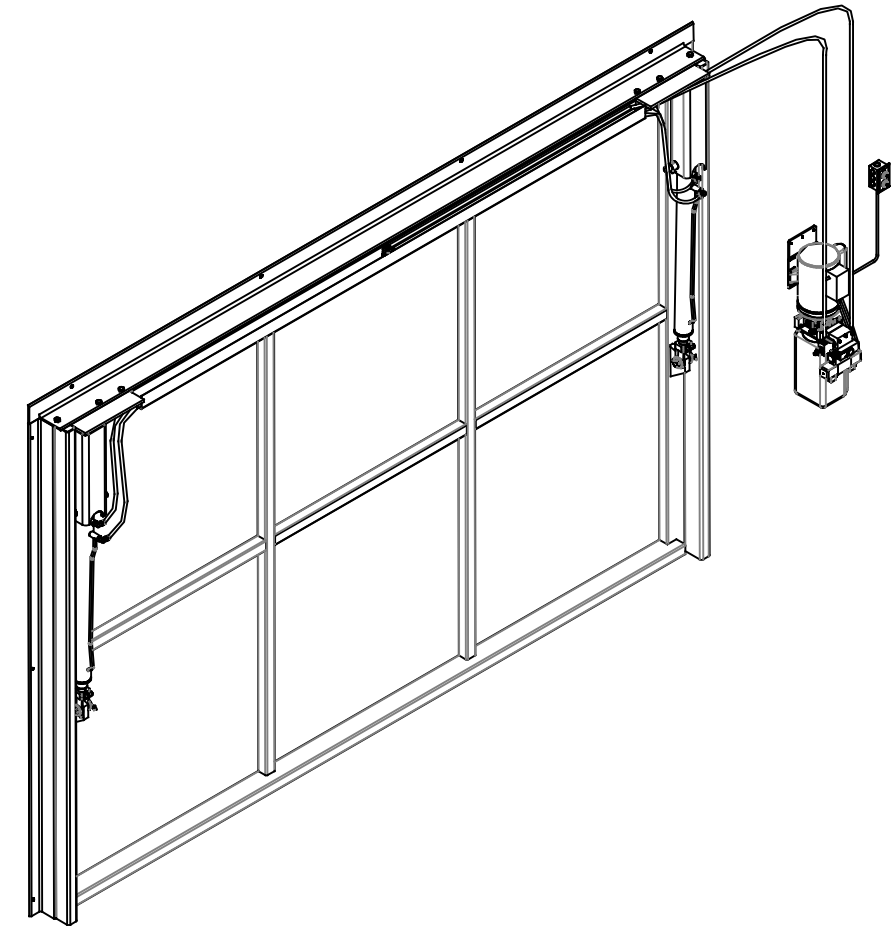


# CROWN

## INCORPORATED

135 MCLEOD AVENUE, SOUTH  
PLATO, MN 55370  
(320) 238-2616  
INFO@CROWNDOORS.COM

### SINGLE-SWING HYDRAULIC SYSTEM



#### PROPRIETARY AND CONFIDENTIAL

THE INFORMATION CONTAINED WITHIN THIS DRAWING SET IS THE SOLE PROPERTY OF CROWN INDUSTRIES, INC. ANY REPRODUCTION - IN PART, OR AS A WHOLE - WITHOUT THE EXPRESSED, WRITTEN CONSENT OF CROWN INDUSTRIES, INC. IS PROHIBITED

#### IMPORTANT NOTICE:

ALL DIMENSIONS SHOWN ARE CRITICAL TO PROPER DOOR OPERATION. IF ANY CHANGES ARE MADE, CONTACT CROWN INDUSTRIES IMMEDIATELY. ANY CHANGES MAY INCUR ADDITIONAL CHARGES.

ALL PARTS NOT LISTED AS "BY OTHERS" TO BE PROVIDED BY CROWN INDUSTRIES, INC.

#### SAMPLE DRAWINGS

- THE FOLLOWING DETAILS REPRESENT TYPICAL CONDITIONS. DETAILS/DIMENSIONS WILL VARY BETWEEN INSTALLATIONS.
- SAMPLE DRAWINGS DO NOT REPRESENT ALL AVAILABLE OPTIONS - REFER TO QUOTATION.

#### GENERAL NOTES

- STRUCTURAL SUPPORT (JAMBS/HEADER) BY G.C.
- INSTALLER TO CAULK AROUND MOUNTING ANGLES
- MAXIMUM ALLOWABLE RISE OF FINISHED FLOOR IS 3/8"
- CROWN, INC. RESERVES THE RIGHT TO CHANGE/IMPROVE PRODUCTS WITHOUT PRIOR NOTICE
- THE INFORMATION CONTAINED WITHIN THIS DRAWING SET IS THE SOLE PROPERTY OF CROWN, INC. ANY REPRODUCTION - IN PART, OR AS A WHOLE - WITHOUT THE EXPRESSED, WRITTEN PERMISSION OF CROWN, INC. IS PROHIBITED
- CROWN, INC. WILL NOT BE HELD RESPONSIBLE FOR CODE VIOLATIONS

STEEL TUBE FRAME MEMBERS VARY IN SIZE DEPENDING ON ROUGH OPENING DIMENSIONS AND COVERING WEIGHT. LARGER OPENINGS/HEAVIER COVERINGS REQUIRE LARGER STEEL COMPONENTS

**PROPRIETARY AND CONFIDENTIAL**  
 THE INFORMATION CONTAINED WITHIN THIS DRAWING SET IS THE SOLE PROPERTY OF CROWN INDUSTRIES, INC. ANY REPRODUCTION - IN PART, OR AS A WHOLE - WITHOUT THE EXPRESSED, WRITTEN CONSENT OF CROWN INDUSTRIES, INC. IS PROHIBITED

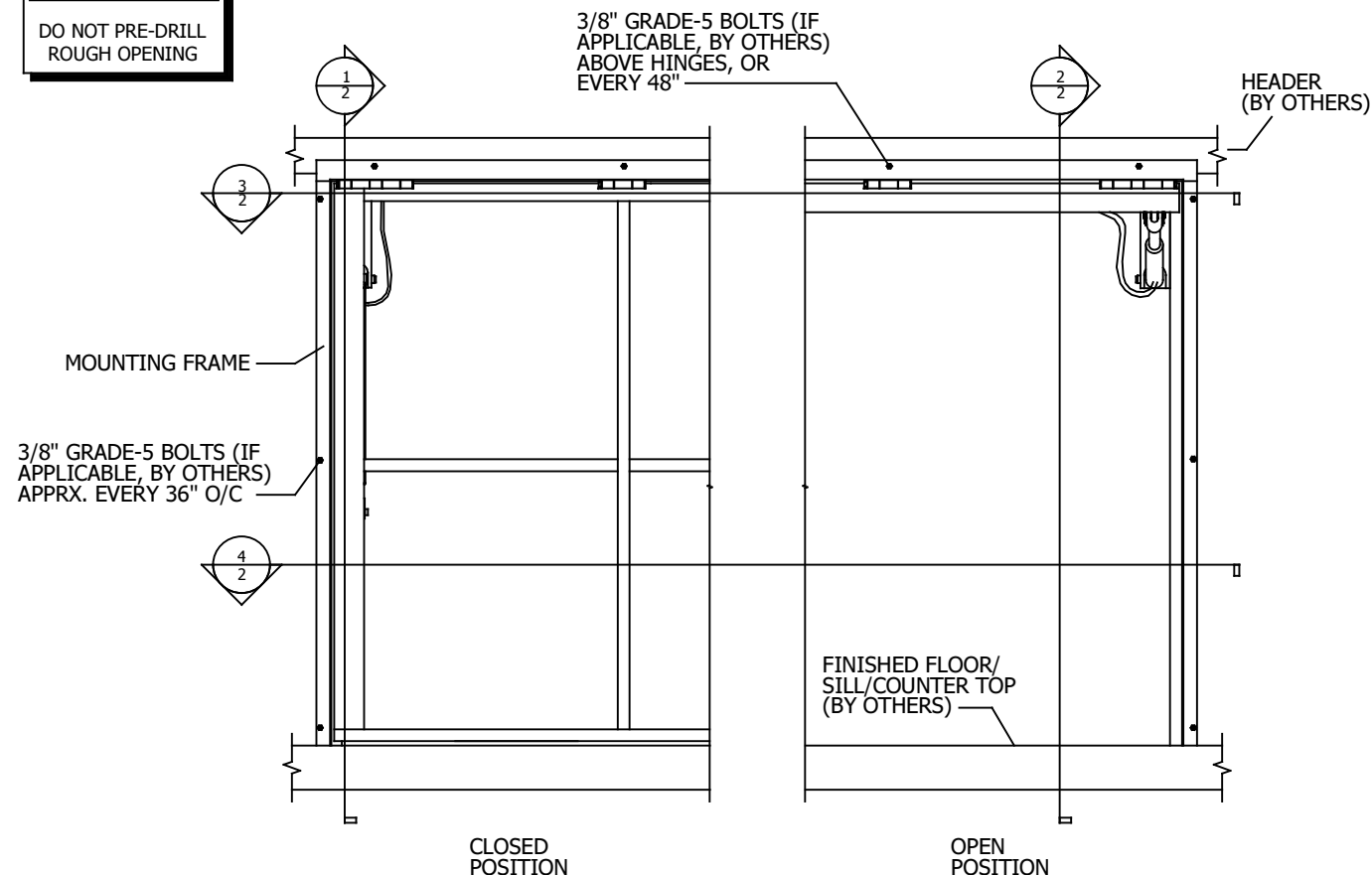


**IMPORTANT NOTICE:**  
 ALL DIMENSIONS SHOWN ARE CRITICAL TO PROPER DOOR OPERATION. IF ANY CHANGES ARE MADE, CONTACT CROWN INDUSTRIES IMMEDIATELY. ANY CHANGES MAY INCUR ADDITIONAL CHARGES.

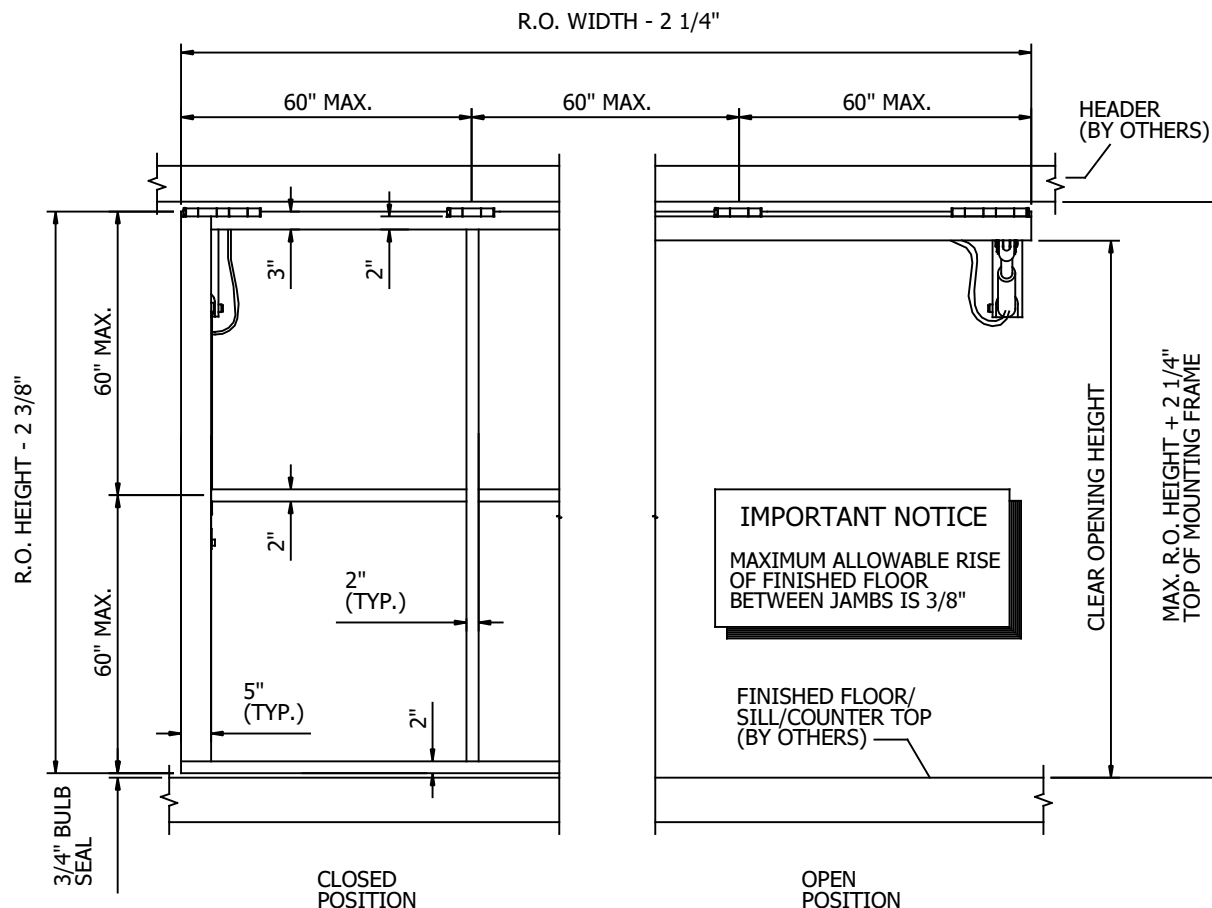
ALL PARTS NOT LISTED AS "BY OTHERS" TO BE PROVIDED BY CROWN INDUSTRIES, INC.

**SAMPLE DRAWING**

**IMPORTANT NOTE:**  
 DO NOT PRE-DRILL ROUGH OPENING



1 DOOR PANEL w/FRAME - EXTERIOR VIEW  
 NO SCALE



2 DOOR PANEL - EXTERIOR VIEW  
 NO SCALE

**IMPORTANT NOTICE**  
 MAXIMUM ALLOWABLE RISE OF FINISHED FLOOR BETWEEN JAMBS IS 3/8"

**SINGLE-SWING HYDRAULIC SYSTEM**  
**CROWN, INCORPORATED**  
 PLATO, MINNESOTA, 55370

MODEL: SINGLE-SWING  
 DRAWN: 12/2014

SHEET: 1.0

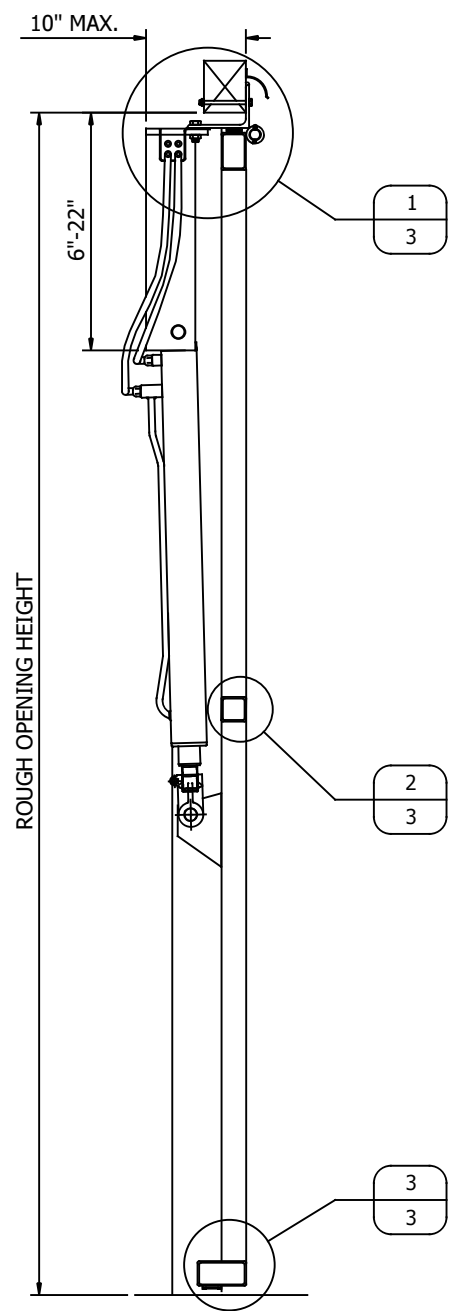
**PROPRIETARY AND CONFIDENTIAL**  
 THE INFORMATION CONTAINED WITHIN THIS DRAWING SET IS THE SOLE PROPERTY OF CROWN INDUSTRIES, INC. ANY REPRODUCTION - IN PART, OR AS A WHOLE - WITHOUT THE EXPRESSED, WRITTEN CONSENT OF CROWN INDUSTRIES, INC. IS PROHIBITED



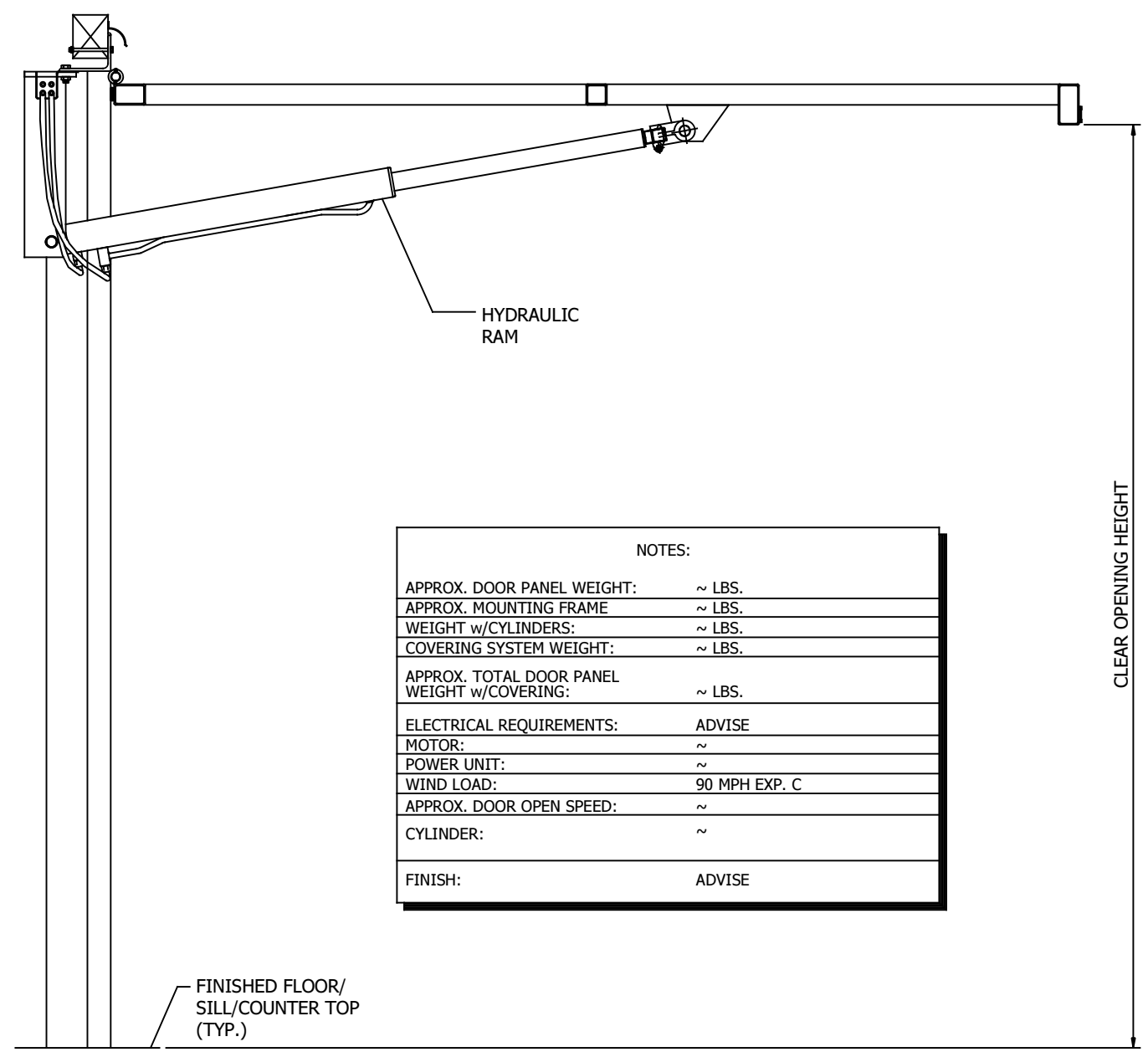
**IMPORTANT NOTICE:**  
 ALL DIMENSIONS SHOWN ARE CRITICAL TO PROPER DOOR OPERATION. IF ANY CHANGES ARE MADE, CONTACT CROWN INDUSTRIES IMMEDIATELY. ANY CHANGES MAY INCUR ADDITIONAL CHARGES.

ALL PARTS NOT LISTED AS "BY OTHERS" TO BE PROVIDED BY CROWN INDUSTRIES, INC.

**SAMPLE DRAWING**



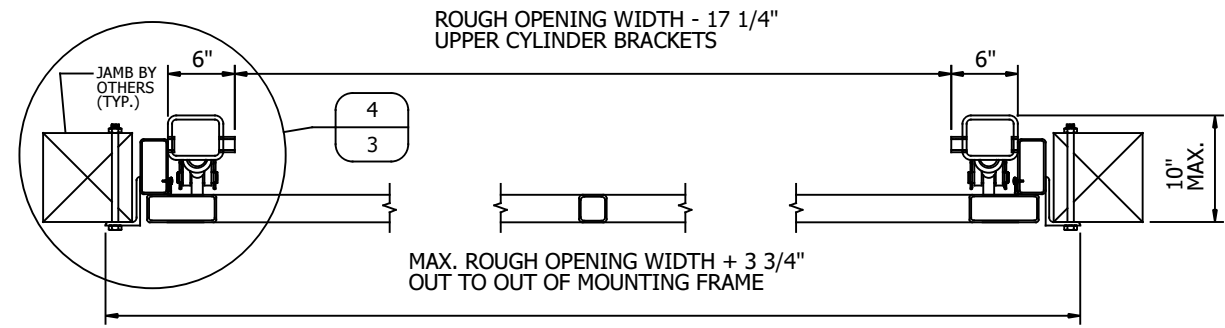
**1 VERTICAL SECTION**  
NO SCALE



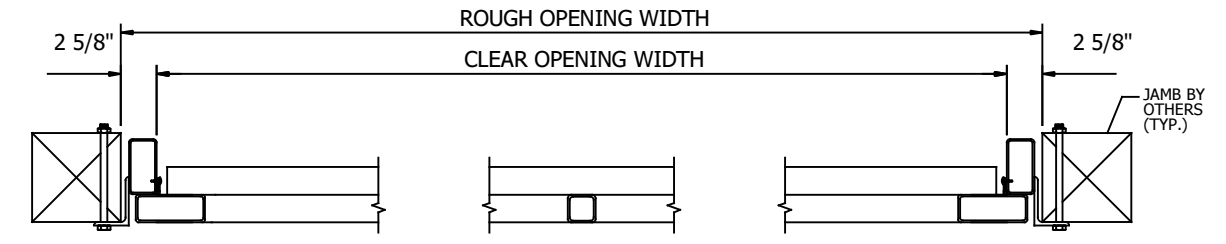
**2 VERTICAL SECTION**  
NO SCALE

NOTES:

APPROX. DOOR PANEL WEIGHT:	~ LBS.
APPROX. MOUNTING FRAME WEIGHT w/CYLINDERS:	~ LBS.
COVERING SYSTEM WEIGHT:	~ LBS.
APPROX. TOTAL DOOR PANEL WEIGHT w/COVERING:	~ LBS.
ELECTRICAL REQUIREMENTS:	ADVISE
MOTOR:	~
POWER UNIT:	~
WIND LOAD:	90 MPH EXP. C
APPROX. DOOR OPEN SPEED:	~
CYLINDER:	~
FINISH:	ADVISE



**3 SECTION VIEW**  
NO SCALE



**4 SECTION VIEW**  
NO SCALE

**SINGLE-SWING HYDRAULIC SYSTEM**  
**CROWN, INCORPORATED**  
 PLATO, MINNESOTA, 55370

MODEL: SINGLE-SWING  
 DRAWN: 12/2014

SHEET: **2.0**

**PROPRIETARY AND CONFIDENTIAL**

THE INFORMATION CONTAINED WITHIN THIS DRAWING SET IS THE SOLE PROPERTY OF CROWN INDUSTRIES, INC. ANY REPRODUCTION - IN PART, OR AS A WHOLE - WITHOUT THE EXPRESSED, WRITTEN CONSENT OF CROWN INDUSTRIES, INC. IS PROHIBITED

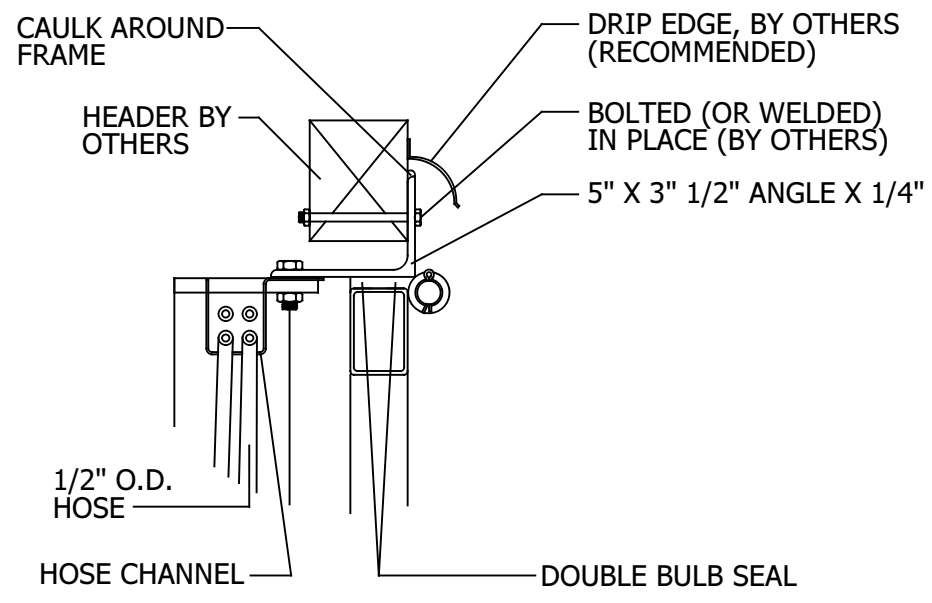


**IMPORTANT NOTICE:**

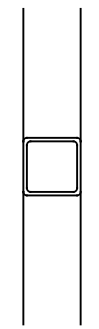
ALL DIMENSIONS SHOWN ARE CRITICAL TO PROPER DOOR OPERATION. IF ANY CHANGES ARE MADE, CONTACT CROWN INDUSTRIES IMMEDIATELY. ANY CHANGES MAY INCUR ADDITIONAL CHARGES.

ALL PARTS NOT LISTED AS "BY OTHERS" TO BE PROVIDED BY CROWN INDUSTRIES, INC.

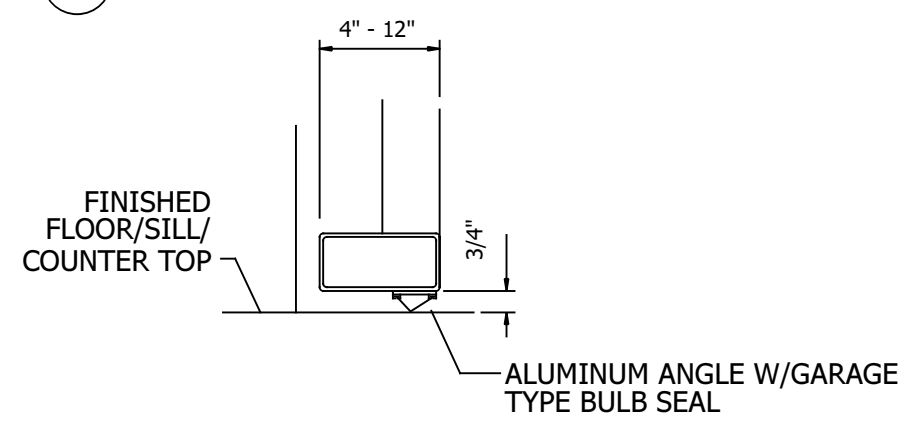
**SAMPLE DRAWING**



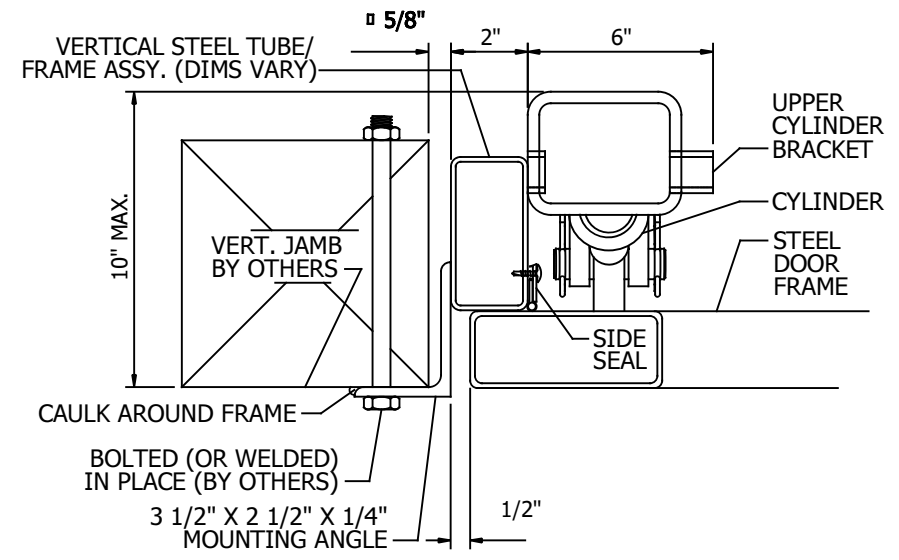
1 SECTION VIEW @ HEAD  
NO SCALE



2 SECTION VIEW @ INT. HORIZONTAL  
NO SCALE



3 SECTION VIEW @ BASE  
NO SCALE

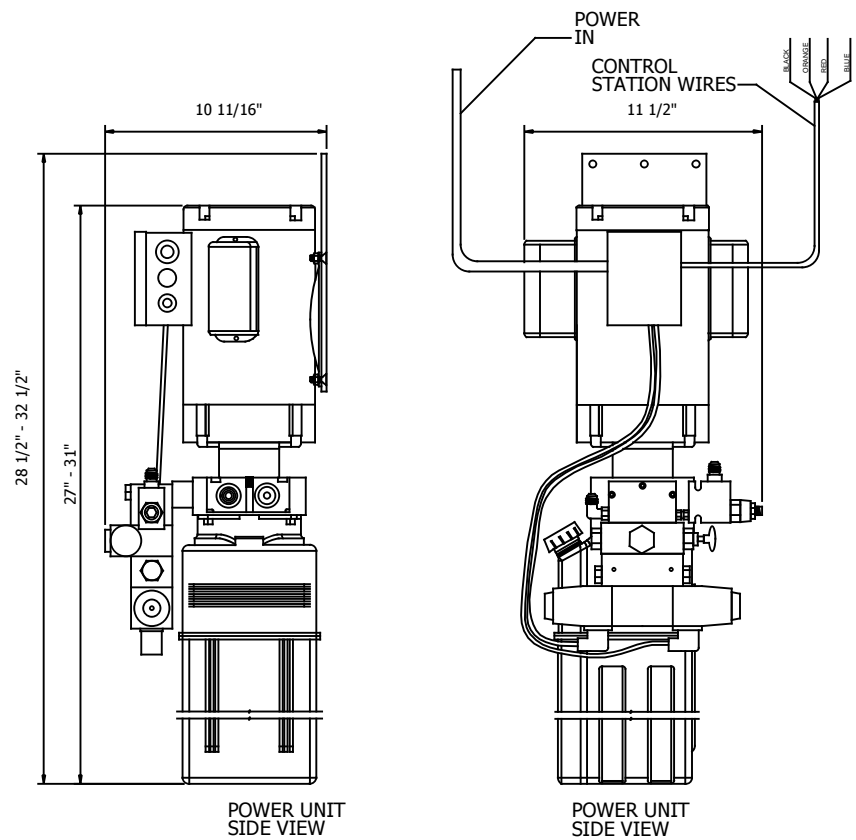


4 SECTION VIEW @ JAMB  
NO SCALE

**SINGLE-SWING HYDRAULIC SYSTEM**  
**CROWN, INCORPORATED**  
**PLATO, MINNESOTA, 55370**

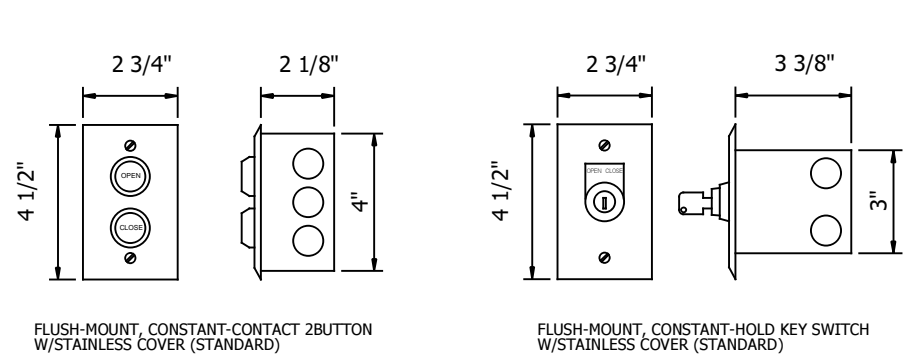
MODEL: SINGLE-SWING  
DRAWN: 12/2014

SHEET: **3.0**

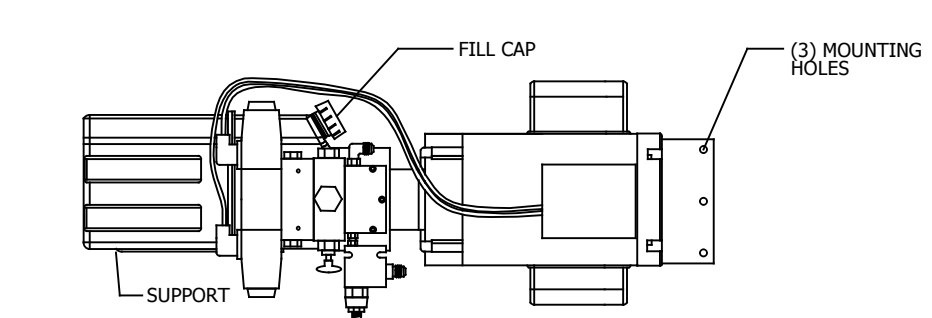


POWER UNIT  
SIDE VIEW

POWER UNIT  
SIDE VIEW



1 CONTROL OPTIONS  
NO SCALE



3 MOTOR UNIT - OPTIONAL HORIZ. MOUNT

**PROPRIETARY AND CONFIDENTIAL**

THE INFORMATION CONTAINED WITHIN THIS DRAWING SET IS THE SOLE PROPERTY OF CROWN INDUSTRIES, INC. ANY REPRODUCTION - IN PART, OR AS A WHOLE - WITHOUT THE EXPRESSED, WRITTEN CONSENT OF CROWN INDUSTRIES, INC. IS PROHIBITED

**IMPORTANT NOTICE:**

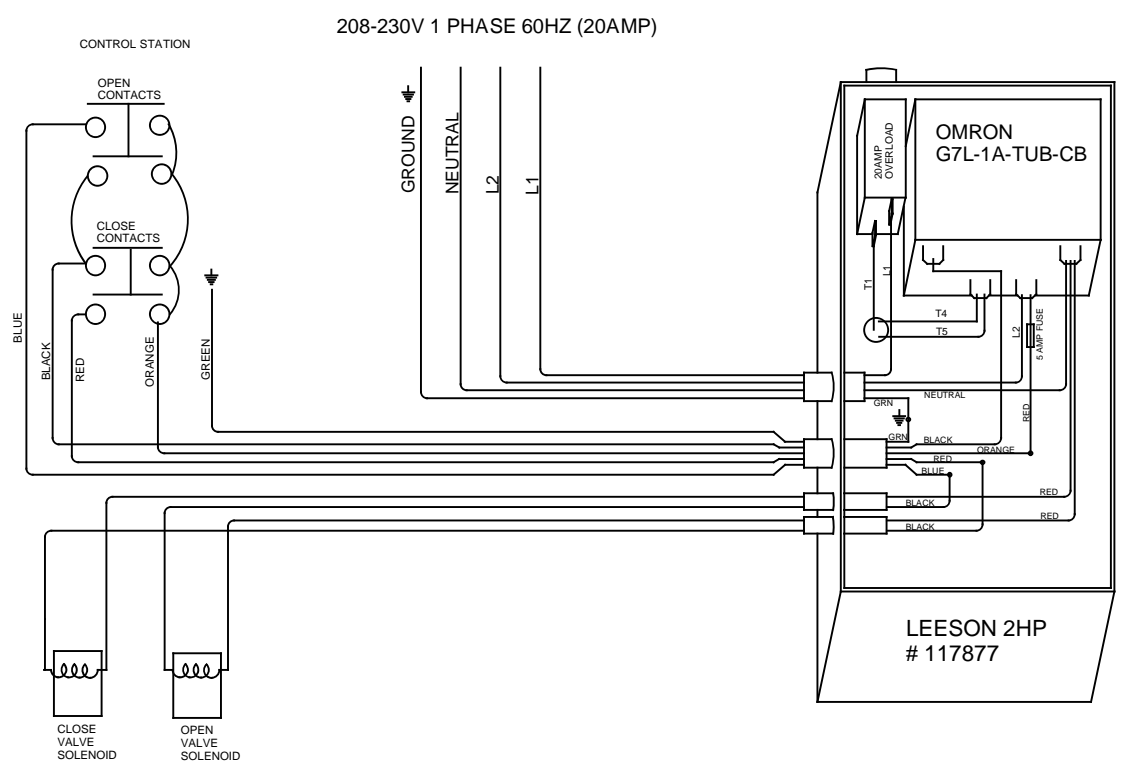
ALL DIMENSIONS SHOWN ARE CRITICAL TO PROPER DOOR OPERATION. IF ANY CHANGES ARE MADE, CONTACT CROWN INDUSTRIES IMMEDIATELY. ANY CHANGES MAY INCUR ADDITIONAL CHARGES.

ALL PARTS NOT LISTED AS "BY OTHERS" TO BE PROVIDED BY CROWN INDUSTRIES, INC.

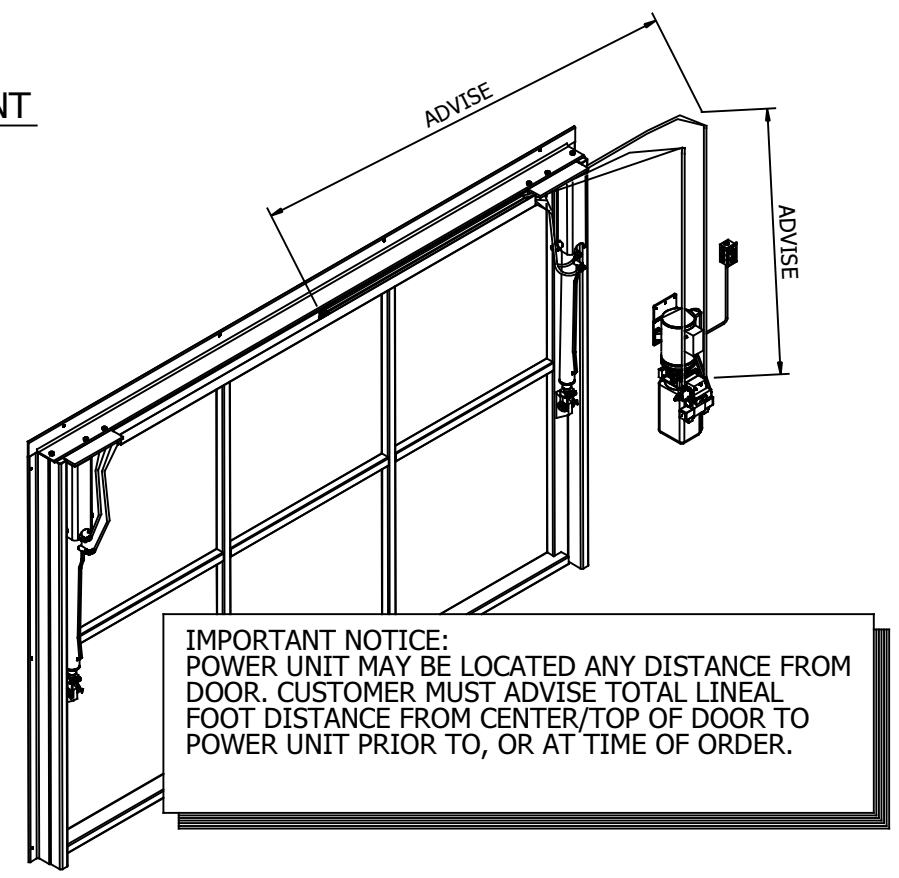


**SAMPLE DRAWING**

2 MOTOR UNIT - STD. VERT. MOUNT  
NO SCALE



4 WIRING SCHEMATIC



**IMPORTANT NOTICE:**  
POWER UNIT MAY BE LOCATED ANY DISTANCE FROM DOOR. CUSTOMER MUST ADVISE TOTAL LINEAL FOOT DISTANCE FROM CENTER/TOP OF DOOR TO POWER UNIT PRIOR TO, OR AT TIME OF ORDER.

5 ISOMETRIC - INTERIOR VIEW

**SINGLE-SWING HYDRAULIC SYSTEM**  
**CROWN, INCORPORATED**  
**PLATO, MINNESOTA, 55370**

MODEL: SINGLE-SWING  
DRAWN: 12/2014

SHEET: **4.0**