

A ID	B OD	C THK.	D HEIGHT	E JOINT HT.	F BASE	G TOP	H SPACING
1067	1321	127	1100	108	152	76	305

AVAILABLE HEIGHTS	QTY. OF RUNGS	STARCON LIFTING PINS	WEIGHTS [kg]
1.1m [3.6']	3	4T	1043

CONCRETE		RELEASE	MPa	20
		28 DAY:	MPa	35
		AIR CONTENT:		6% ± 1%
WEIGHT:	kg	VOLUME	m ³	
TYPE:			kg/m ³	2402
STRAND			mm	-
			mm	-
			MPa	-
MARK	DESCRIPTION	QTY.		

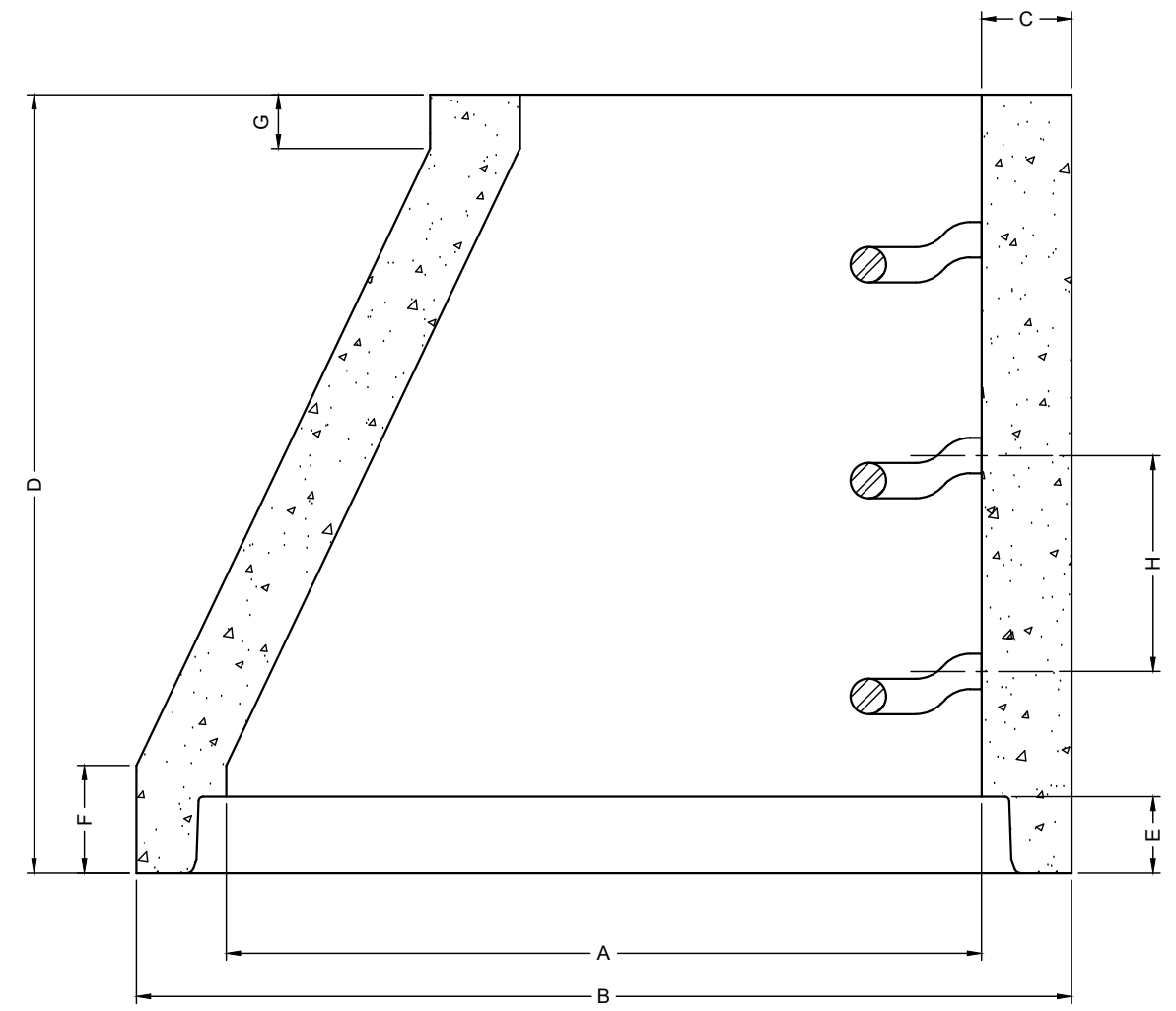


- NOTES:
- 1) CEMENT : PORTLAND CEMENT TYPE 50(HS)
 - 2) Max AGGREGATE SIZE: 20mm
 - 3) 28 DAY STRENGTH: MIN. 35 MPa.
 - 4) ENTRAINED AIR: 6%±1%
 - 5) REINFORCING TO CAN/CSA-G30.18 400 MPa
 - 6) ALL UNITS ARE IN MILLIMETERS UNLESS OTHERWISE NOTED.

TITLE:		1050 X 1100 CONICAL TOP DETAIL DRAWING	
PROJECT NO.:		JOB NO.:	
DRAWING NO.:	SVI-CT-1050-02A		



ISOMETRIC VIEW
NTS



ELEVATION
VIEW

DWG. NO.	REFERENCE	NO.:	REVISION DESCRIPTION	BY	APP'D	DATE	DRW BY	SWM	2018/11/21
-	-	A	ISSUED PLAN	-	-	2018/11/21	CH'K BY	-	-
-	-	-	-	-	-	-	AP'D BY	-	-
-	-	-	-	-	-	-	AP'D BY	-	-
-	-	-	-	-	-	-	AP'D BY	-	-
-	-	-	-	-	-	-	SCALE: NTS	PAGE: 1 OF 1	