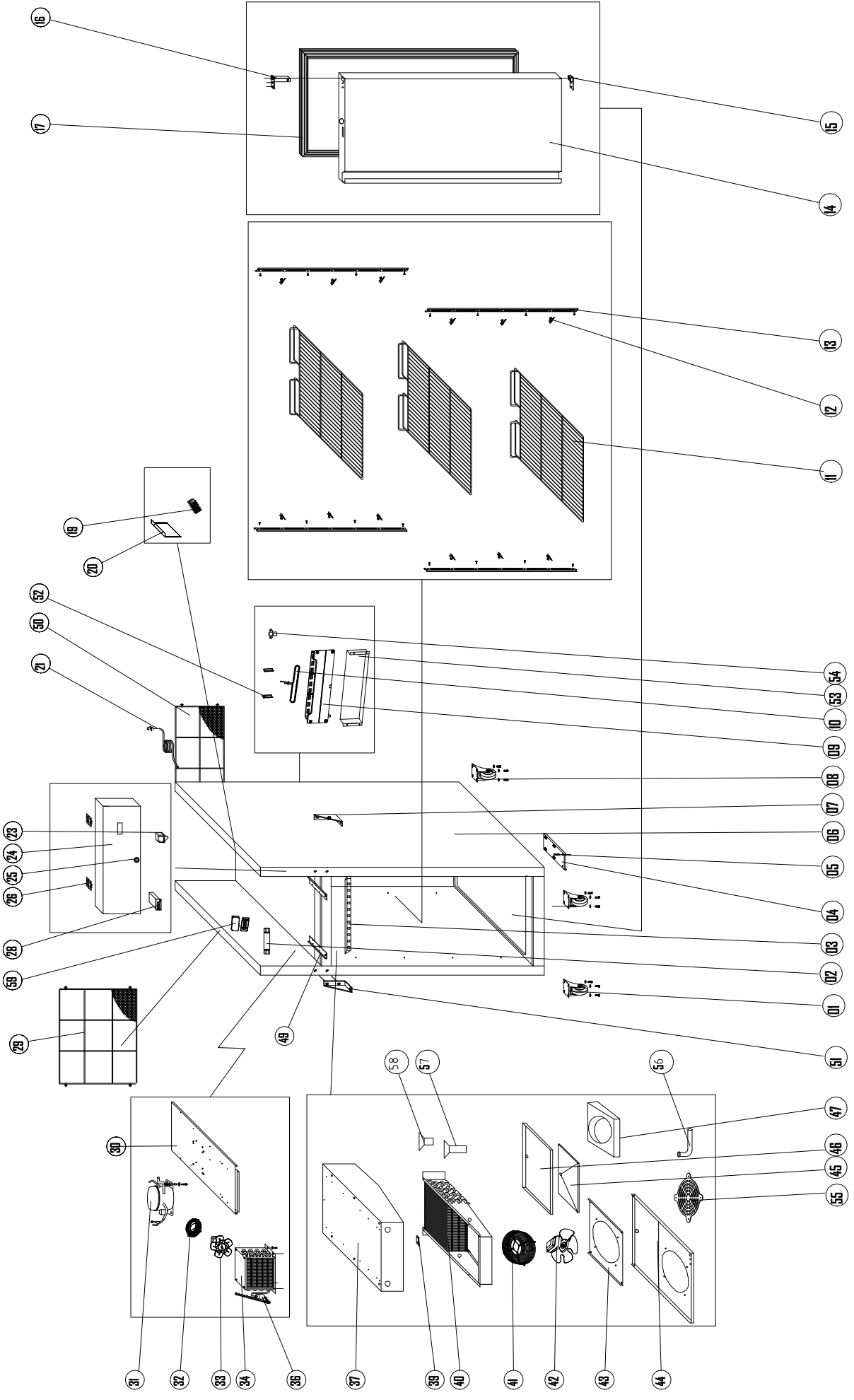




PARTS LIST
REACH-IN TOP MOUNT
COMPRESSOR MODELS
CR1-TSI-HC, CR2-TSI-HC,
& CR3-TSI-HC

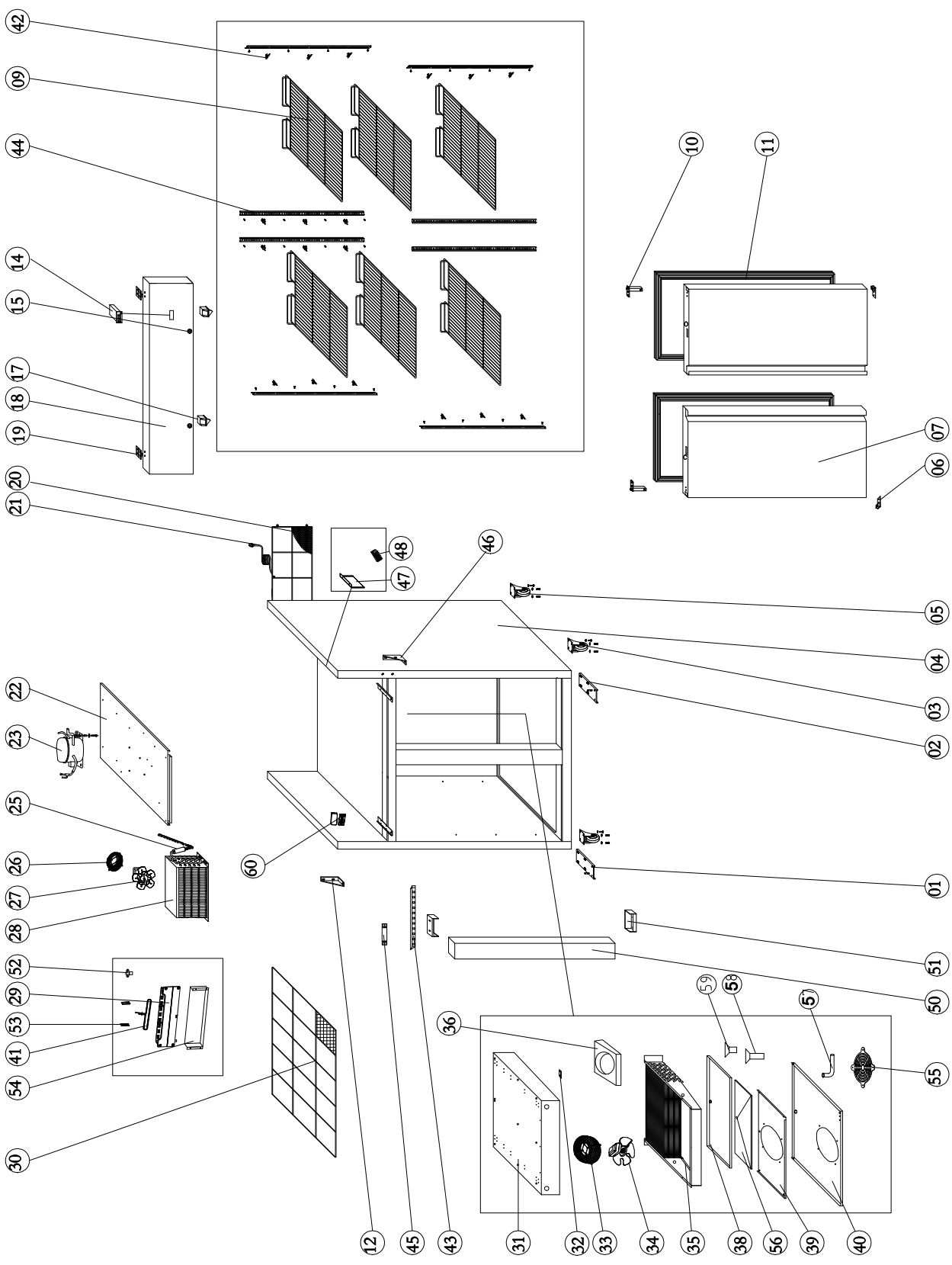


Above picture of CR3-TSI-HC
(R290)



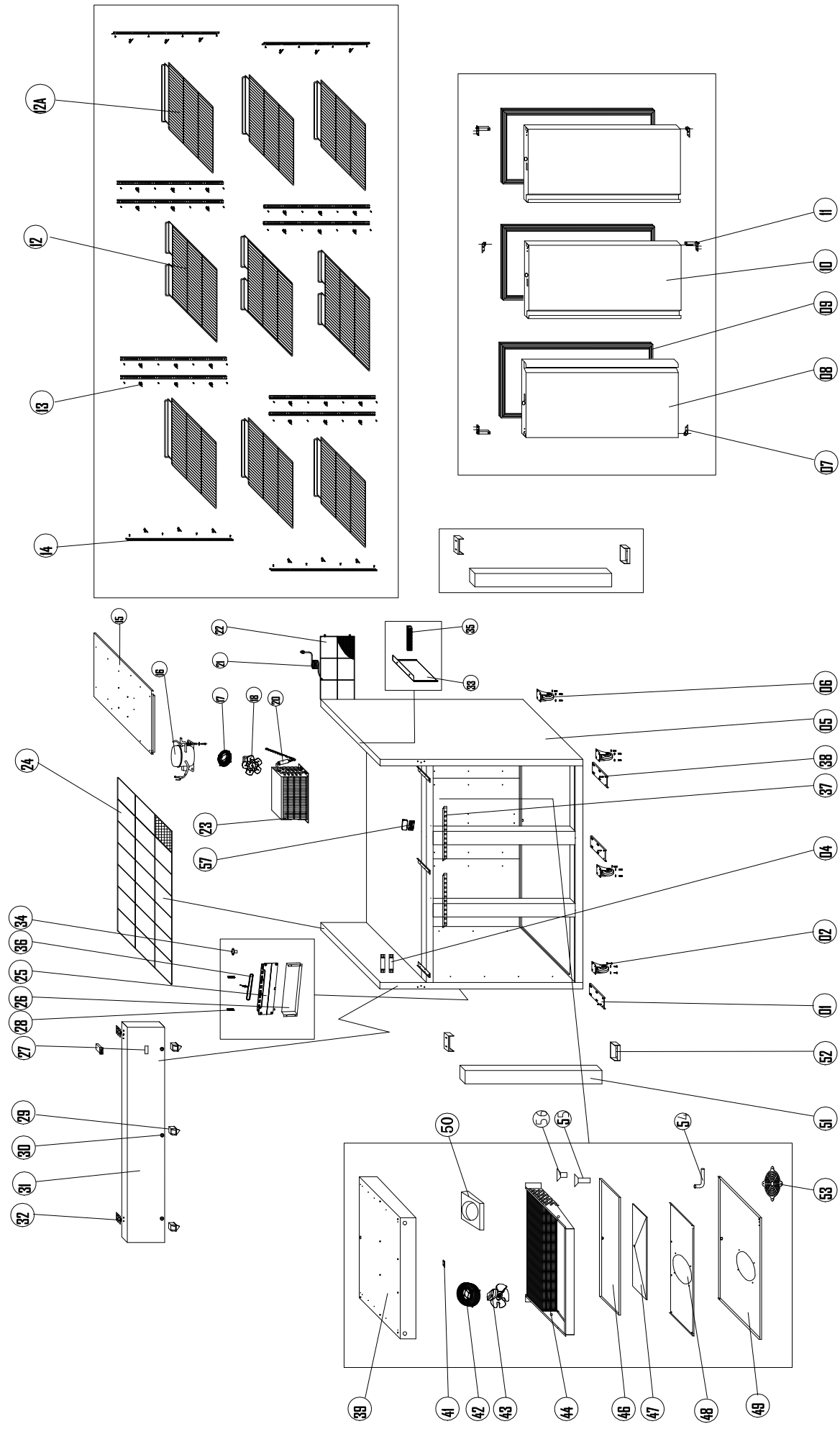
CR1-TSI-HC

NO.	Entrée #	NAME	QTY.
1	H00316	SWIVEL CASTER 4" W/BRAKE	2
2	H104070118	LED POWER SUPPLY	1
3	C2194688	LED LIGHT STRIP (REACH-IN) (LED2835, 2.4W, 24 VDC)	1
4	C20021	HINGE, LOWER LEFT/RIGHT (TOP MOUNT)	1
5	H00327	HINGE PIN W/NUT	1
6	N/A	BODY	1
7	C20029	UPPER RIGHT HINGE	1
8	H00317	SWIVEL CASTER 4" W/O BRAKE	2
9	C30002	CONDENSATE DRAIN BOX, REAR MOUNT	1
10	HC0147	SUCTION PIPE	1
11	H00307	SHELF	3
11	H00307-C	SHELF W/4 CLIPS	3
12	C3234860	PILASTER CLIP	12
13	H03343	PILASTER	4
14	H00324-2	DOOR, SOLID, TOP MOUNT (HC)	1
15	H00326	HINGE AXIS JACKET, BOTTOM	1
16	H00328	HINGE CARTRIDGE, SELF CLOSING	1
17	H00325-2	GASKET, DOOR TOP MOUNT	1
19	H00215	TERMINAL BLOC, 5 POLL	2
20	N/A	Fixing Strip	1
21	C2194684	POWER CORD, 14AWG/NEMA 5-15P	1
23	C2194677	DOOR SWITCH 3 PIN WHITE (HC-050K4)	1
24	HC0318-TSI	SHROUD, UPPER 21DR TOP MT	1
25	H00340	DOOR LOCK	1
26	H00321	HINGE, UPPER SHROUD	2
28	H00219-1	TEMPERATURE CONTROL BOARD (DIXELL XW03K)	1
28	HC0219-2	TEMPERATURE CONTROL DISPLAY (DIXELL CX50)	1
29	C20008	COVER, SCREEN TOP MOUNT (CONDENSER)	1
30	N/A	CONDENSING UNIT PANEL	1
31	HC0001F	COMPRESSOR (EM2X3117U) W/ FILTER DRIER	1
32	H00113-1	FAN GUARD BLACK (CONDENSER)	1
33	H00110	CONDENSER FAN MOTOR, 9W M4Q045-CA27-04/CA01	1
34	HC0346	CONDENSER COIL	1
36	H00341	FILTER DRIER	1
37	N/A	EVAPORATOR COVER PAN	1
39	H03335	SENSOR CLIP	1
40	HC0349R	EVAPORATOR COIL	1
41	H00112	FAN GUARD, EVAPORATOR, WHITE	1
42	HC0116-2	EVAPORATOR FAN MOTOR (IQC3608-010315/A03 L-600)	1
43	HC0131	EVAPORATOR FAN MOTOR SUPPORT	1
44	N/A	MOTOR SUPPORT, EVAP FAN	1
45	N/A	SUPPORT PAN	1
46	HC0142	EVAPORATOR DRIP PAN	1
47	N/A	AIR GUIDE	1
50	C20005	COVER, SCREEN, BACK, CONDENSER, 1DR	1
51	C20028	UPPER LEFT HINGE	1
52	N/A	DISCHARGE PIPE CLIP	2
53	C30002-1	CONDENSER DRAIN BOX COVER	1
54	H03336	DRAIN CONNECTOR	1
55	H00112-1	EVAPORATOR FAN GUARD	1
55	N/A	GUIDE RAIL	1
55	N/A	GUIDE RAIL	1
56	H00336	DRAIN JOINT	1
56	H00333	Door Hinge /Down Right	1
57	G30002	DRAIN PIPE FITTING	1
57	HC00022	CENTER MULLION	1
58	G30001	DRAIN PIPE FITTING	1
58	HC00112	CENTER MULLION BRACKET	2
59	H108140044	CONTROL PROTECTOR	1
59	H00336	DRAIN JOINT	1
59	H108140043	CONTROL PROTECTOR COVER	1
60	G30002	DRAIN PIPE FITTING	1
61	G30001	DRAIN PIPE FITTING	1
62	H108140044	CONTROL PROTECTOR	1
62	H108140043	CONTROL PROTECTOR COVER	1
63	N/A	TOP COVER	1
64	N/A	DRAIN BRACKET	1
65	N/A	DRAIN HOLDER	1
66	HC0391	DRAIN PIPE	1



CR2-TSI-HC

NO.	Entrée #	NAME	QTY.
1	H00332	Door Hinge /Down Left	1
2	N/A	Baffle Plate	1
3	H00338-1	LOWER SHROUD, 2DRS BOTTOM MOUNT	1
4	N/A	AIR GUIDE	1
5	N/A	LOWER SUPPORT PANEL	2
6	H00316	SWIVEL CASTER 4" W/BRAKE	2
7	N/A	STRUCTURE SUPPORT	2
8	H00317	SWIVEL CASTER 4" W/O BRAKE	2
9	H00329	SHIM, LOWER	2
10	N/A	BODY	1
11	H00314	COVER, LOWER REAR COMPARTMENT	1
12	H00328	HINGE CARTRIDGE, SELF CLOSING	2
13	H00326	HINGE AXIS JACKET, BOTTOM	2
14	H00324-3	DOOR, SOLID, BOTTOM MOUNT (HC)	2
15	H00325-3	GASKET, DOOR BOTTOM MOUNT (HC)	2
16	C3234860	PILASTER CLIP	24
17	H00308	SHELF, LEFT OR RIGHT	6
17	H00308-C	SHELF, LEFT OR RIGHT W/4 CLIPS	*
18	H00342	PILASTER	8
19	C2194684	POWER CORD, 14AWG/NEMA 5-15P	1
20	H00329-1	SHIM, UPPER HINGE	2
21	N/A	Fixed Clip Of Front Panle	2
22	C2194688	LED LIGHT STRIP (REACH-IN) (LED2835, 2.4W, 24 VDC)	1
23	H104070118	LED POWER SUPPLY	1
24	H00215	TERMINAL BLOC, 5 POLL	1
25	H00112-1	EVAPORATOR FAN GUARD	1
26	N/A	SUPPORT PAN	1
28	HC0319	SHROUD, UPPER 2DR BTM MT	1
29	H00219-1	TEMPERATURE CONTROL BOARD (DIXELL XW03K)	1
29	HC0219-2	TEMPERATURE CONTROL DISPLAY (DIXELL CX50)	1
30	H00340	DOOR LOCK	2
31	H00321	HINGE, UPPER SHROUD	2
32	C2194677	DOOR SWITCH 3 PIN WHITE (HC-050K4)	2
33	H00330	HINGE, UPPER LEFT	1
33	H00331	HINGE, UPPER RIGHT	1
34	H00311	CHANNEL SUCTION LINE COVER	1
35	N/A	EVAPORATOR SUPPORT	1
37	H00335	TEMP SENSOR BRACKET	1
38	H00112	FAN GUARD, EVAPORATOR, WHITE	1
39	HC0116-1	EVAPORATOR FAN MOTOR (IQC3608-010315/A03)	1
40	HC0350R	EVAPORATOR COIL	1
41	H00143.1	EVAPORATOR DRIP PAN	1
42	N/A	EVAPORATOR FAN SUPPORT	1
43	H00153	EVAPORATOR COVER, WHITE	1
44	HDV0010B	HELIX SUCTION PIPE+CAPILLARY B	1
45	HC0149	SUCTION PIPE	1
46	C30014	CONDENSER DRAIN BOX	1
47	H00039F	COMPRESSOR (EM2X3125U) W/ FILTER DRYER	1
47	H00228	START KIT, FOR COMPRESSOR EM2X3125U	*
48	N/A	FILTER DRIER BRACKET	1
49	H00113-1	FAN GUARD BLACK (CONDENSER)	1
50	H00110	CONDENSER FAN MOTOR, 9W M4Q045-CA27-04/CA01	1
51	H00303	CAPILLARY TUBE .055" ID X 118.1" L	1
52	H00341	FILTER DRIER	1
53	HC0348	CONDENSER COIL	1
54	N/A	CONDENSER PAN	1
55	N/A	GUIDE RAIL	1
55	N/A	GUIDE RAIL	1
56	H00333	HINGE, LOWER RIGHT	1
57	HC00022	CENTER MULLION	1
58	HC00112	CENTER MULLION BRACKET	2
59	H00336	DRAIN JOINT	1
60	G30002	DRAIN PIPE FITTING	1
61	G30001	DRAIN PIPE FITTING	1
62	H108140044	CONTROL PROTECTOR	1
62	H108140043	CONTROL PROTECTOR COVER	1
63	N/A	TOP COVER	1
64	N/A	DRAIN BRACKET	1
65	N/A	DRAIN HOLDER	1
66	HC0391	DRAIN PIPE	1



CR3-TSI-HC

NO.	Entrée #	NAME	QTY.
1	C20021	HINGE, LOWER LEFT/RIGHT (TOP MOUNT)	3
2	H00316	SWIVEL CASTER 4" W/BRAKE	3
4	H104070118	LED POWER SUPPLY	2
5	N/A	BODY	1
6	H00317	SWIVEL CASTER 4" W/O BRAKE	2
7	H00326	HINGE AXIS JACKET, BOTTOM	3
8	H00324-2	DOOR, SOLID, TOP MOUNT (HC)	3
9	H00325-2	GASKET, DOOR TOP MOUNT	3
11	H00328	HINGE CARTRIDGE, SELF CLOSING	3
12	H00310	SHELF, MIDDLE	3
12	H00308	SHELF, LEFT OR RIGHT	6
13	C3234860	PILASTER CLIP	36
14	H03343	PILASTER	12
15	N/A	CONDENSER PANNEL	1
16	HC0009F	COMPRESSOR (NUG90LR) W/ FILTER DRIER	1
16	H00230	START KIT, FOR COMPRESSOR NUG90LR	*
17	H00123	FAN GUARD BLACK (CONDENSER)	1
18	H00120	MOTOR, CONDENSER FAN, M4Q045-BD03-04/CO6 (5W)	1
20	H00341	FILTER DRIER	1
21	C2194684	POWER CORD, 14AWG/NEMA 5-15P	1
22	C20007	BACK COVER SCREEN (CONDENSER AREA)	1
23	HC0347	CONDENSER COIL	1
24	C20010	TOP CONDENSER COVER SCREEN	1
25	C30002	CONDENSATE DRAIN BOX, REAR MOUNT	1
26	C30002-1	CONDENSER DRAIN BOX COVER	1
27	H00219-1	TEMPERATURE CONTROL BOARD (DIXELL XW03K)	1
27	HC0219-2	TEMPERATURE CONTROL DISPLAY (DIXELL CX50)	1
28	N/A	DISCHARGE PIPE CLIP	2
29	C2194677	DOOR SWITCH 3 PIN WHITE (HC-050K4)	3
30	H00340	DOOR LOCK	1
31	HC0320-TSI	UPPER SHROUD	1
32	H00321	HINGE, UPPER SHROUD	2
33	N/A	SUPPORT STRIP	1
34	H03336	DRAIN CONNECTOR	1
35	H00215	TERMINAL BLOCK, 5 POLL	1
36	HC0157	SUCTION PIPE	1
37	C2194688	LED LIGHT STRIP (REACH-IN) (LED2835, 2.4W, 24 VDC)	2
38	H00327	HINGE PIN W/NUT	3
39	N/A	EVAPORATOR SUPPORT	1
41	H03335	SENSOR CLIP	1
42	H00112	FAN GUARD, EVAPORATOR, WHITE	1
43	HC0116-3	EVAPORATOR FAN MOTOR (IQC3608-010315/A03 L-1200)	1
44	HC0353R	EVAPORATOR COIL	1
46	H00143.1	EVAPORATOR DRIP PAN	1
47	N/A	SUPPORT PAN	1
48	N/A	MOTOR SUPPORT, EVAP FAN	1
49	N/A	MOTOR SUPPORT, EVAP FAN	1
50	N/A	AIR GUIDE	1
51	HC00024	CENTER MULLION	2
52	HC00112	CENTER MULLION BRACKET	4
53	H00112-1	EVAPORATOR FAN GUARD	1
54	H00336	DRAIN JOINT	1
55	G30002	DRAIN PIPE FITTING	1
56	G30001	DRAIN PIPE FITTING	1
57	H108140044	CONTROL PROTECTOR	1
57	H108140043	CONTROL PROTECTOR COVER	1



For Tech Support or Parts Call:
1-704-900-2068

Website: <https://www.entree.biz>