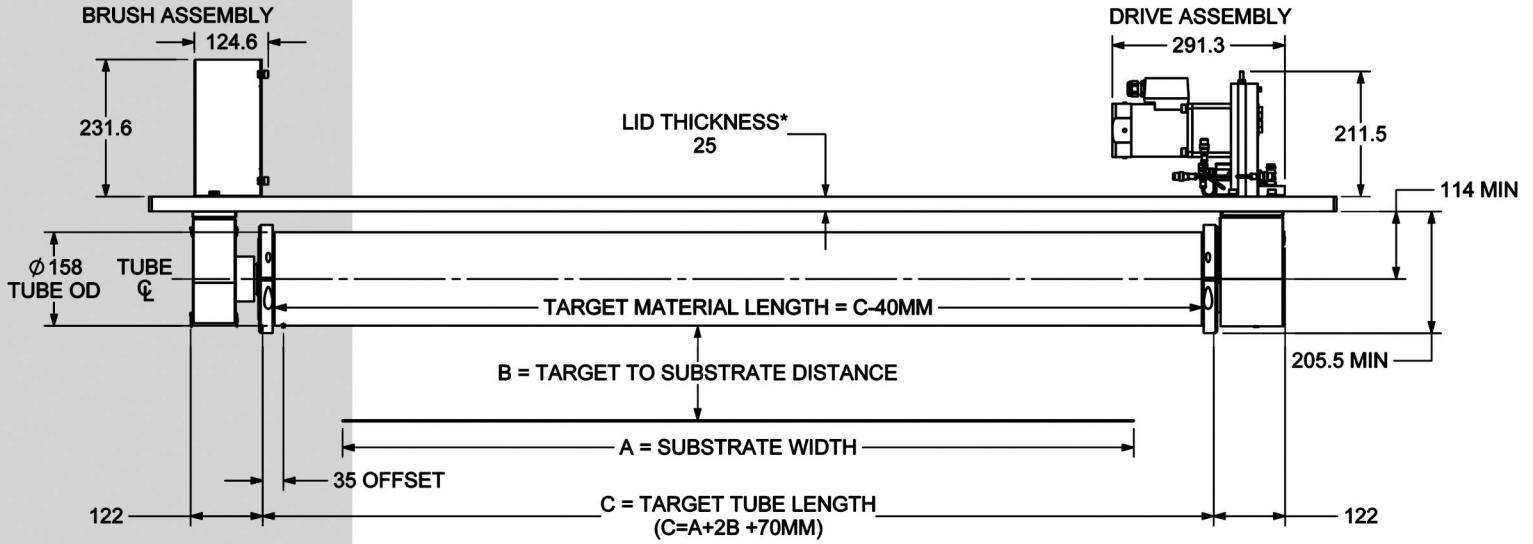




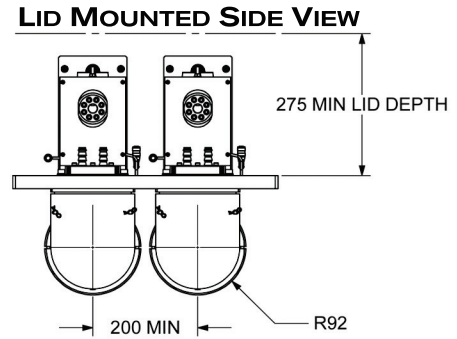
GENERAL PLASMA INC.™

# COMPACT END BLOCK ROTATABLE MAGNETRON

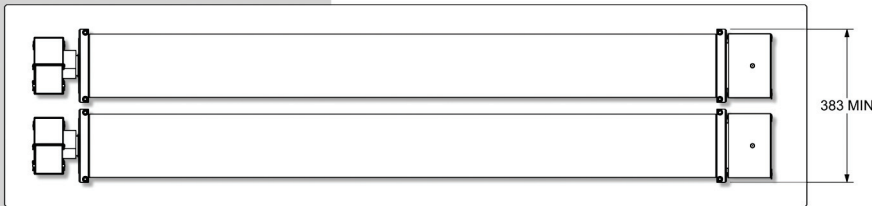
## SPECIFICATION SHEET



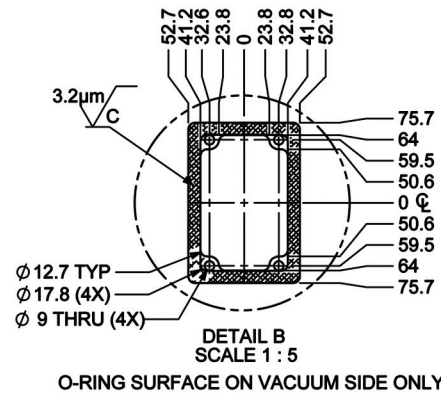
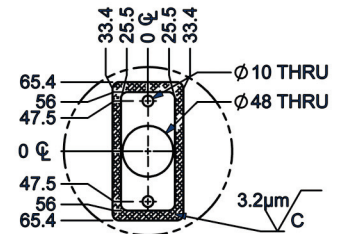
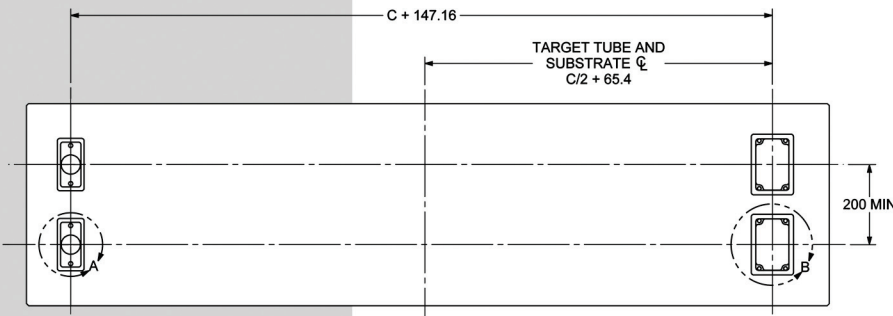
TARGET TO SUBSTRATE DISTANCE (B)	75-125mm
TARGET TUBE LENGTH (C)	370mm - 2.04m



LID MOUNTED BOTTOM VIEW



LID TOP VIEW



\* LID SOLD SEPARATELY  
 \* CONSULT THE FACTORY FOR DIFFERENT LID THICKNESSES  
 ALL DIMENSIONS IN MILLIMETERS

### CATHODE POWER

MAX DISCHARGE CURRENT	160A
MAX DISCHARGE POWER	60kW
MAX DISCHARGE VOLTAGE	1500V [DC, PULSED DC, OR AC RMS]
POWER CONNECTION	CABLE CLAMP, 1AWG [55mm <sup>2</sup> ] MIN WIRE

SPUTTER UNIFORMITY	±3%
OPERATING PRESSURE	2.6x10 <sup>-3</sup> mbar [2mT] - 1.3x10 <sup>-2</sup> mbar [10mT]

### COOLING

DRIVE ASSEMBLY WATER CONNECTION	3/4" FEMALE JIC FITTING 37°
DRIVE ASSEMBLY WATER FLOW	75LPM [20GPM]
BRUSH ASSEMBLY WATER CONNECTION	1/2" COMPRESSION FITTING
BRUSH ASSEMBLY WATER FLOW	15LMP [4GPM]
WATER SUPPLY TEMPERATURE	15°C - 40°C [60°F - 105°F]
WATER SUPPLY MAXIMUM PRESSURE	7bar [100PSI]
WATER SUPPLY ELECTRICAL RESISTANCE	850kΩ-cm MINIMUM RESISTANCE
PIPE / HOSE MINIMUM SUPPLY SIZE	DRIVE ASSEMBLY - 19mm ID [3/4"] BRUSH ASSEMBLY - 12mm OD [1/2"]

### ROTATION MOTOR

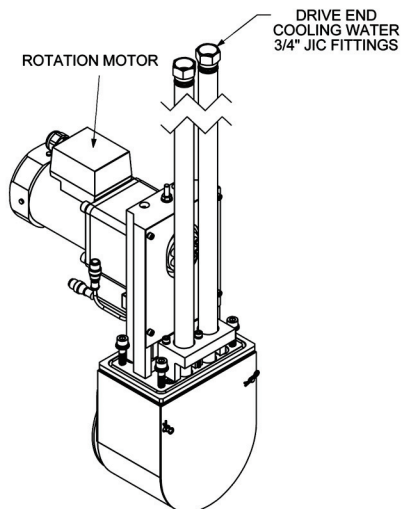
POWER REQUIREMENT	200 - 230VAC 3PH, 50/60Hz, 90W
RATED OUTPUT SPEED	15RPM [50Hz] / 18RPM [60Hz]
CONNECTION	TERMINAL BOX

### ROTATION SENSOR

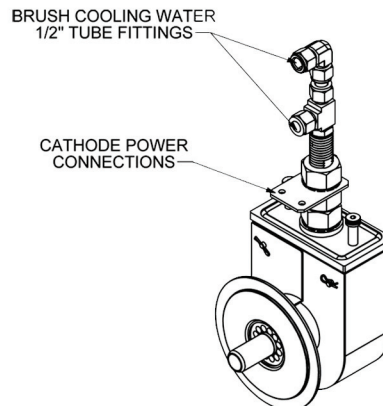
POWER REQUIREMENT	24VDC @ 150mA
TYPE	650nm VISIBLE RED CLASS 1 LASER
I/O	OPTICALLY ISOLATED 24VDC
CONNECTION	4 PIN, M12 ROUND MALE PLUG, SINGLE KEY

### TARGET BACKING TUBE

MATERIAL	18-8 STAINLESS STEEL (NON-MAGNETIC)
STOCK DIMENSIONS	125mm ID, 133mm OD
REFERENCE DRAWING	R00000L005



**DRIVE ASSEMBLY**



**BRUSH ASSEMBLY**