

2021

Prices effective January 19, 2021

Steel Surcharge Multiplier 1.15

Effective June 2021

GREENE

GALVANIZED STAIRS



41774 Main Street; PO Box 191
East Lynn, IL 60932
217-375-4244; Fax 217-375-4245

All Galvanized Material
F.O.B. East Lynn IL 60932
Prices subject to change without notice

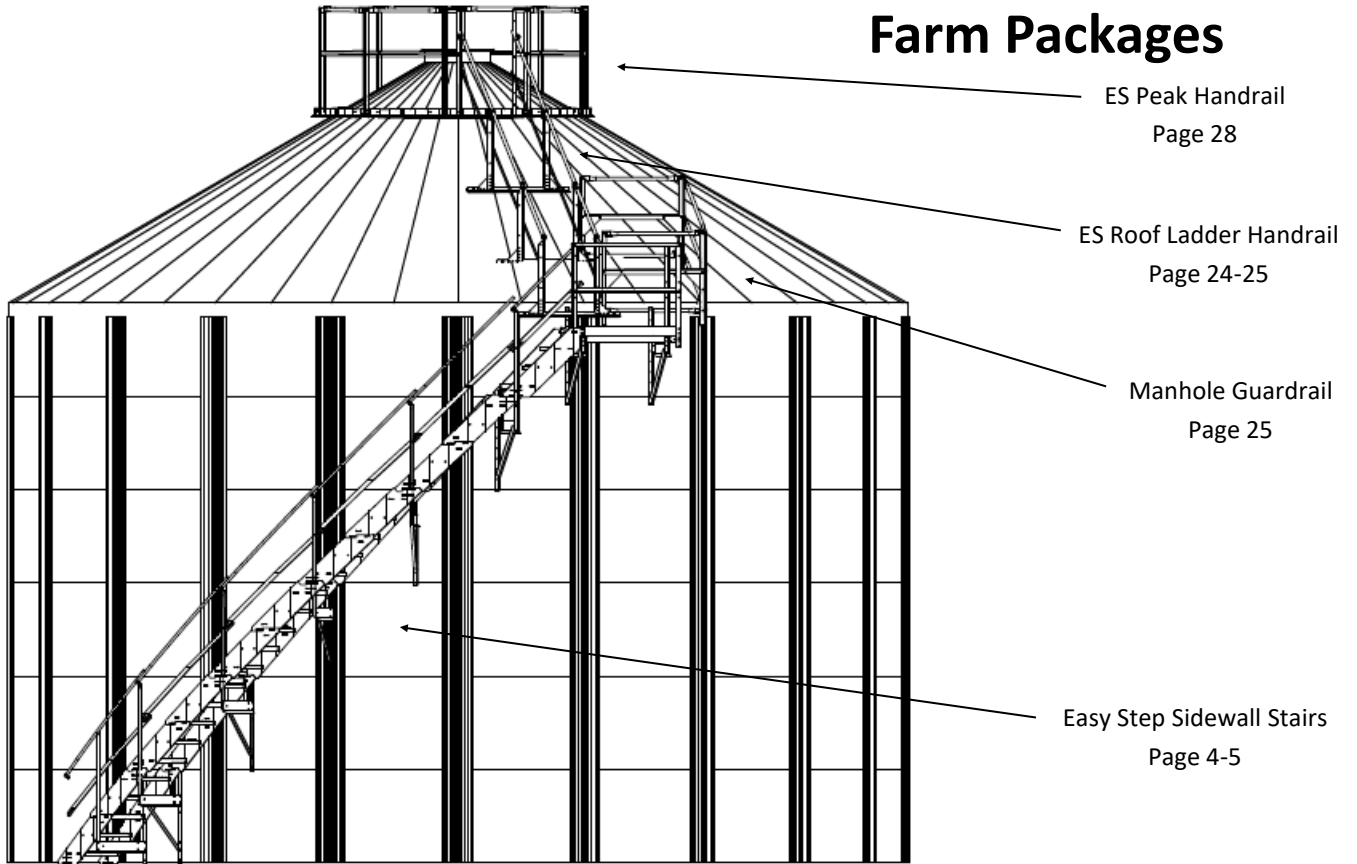
Revised 1/19/2021

Contents

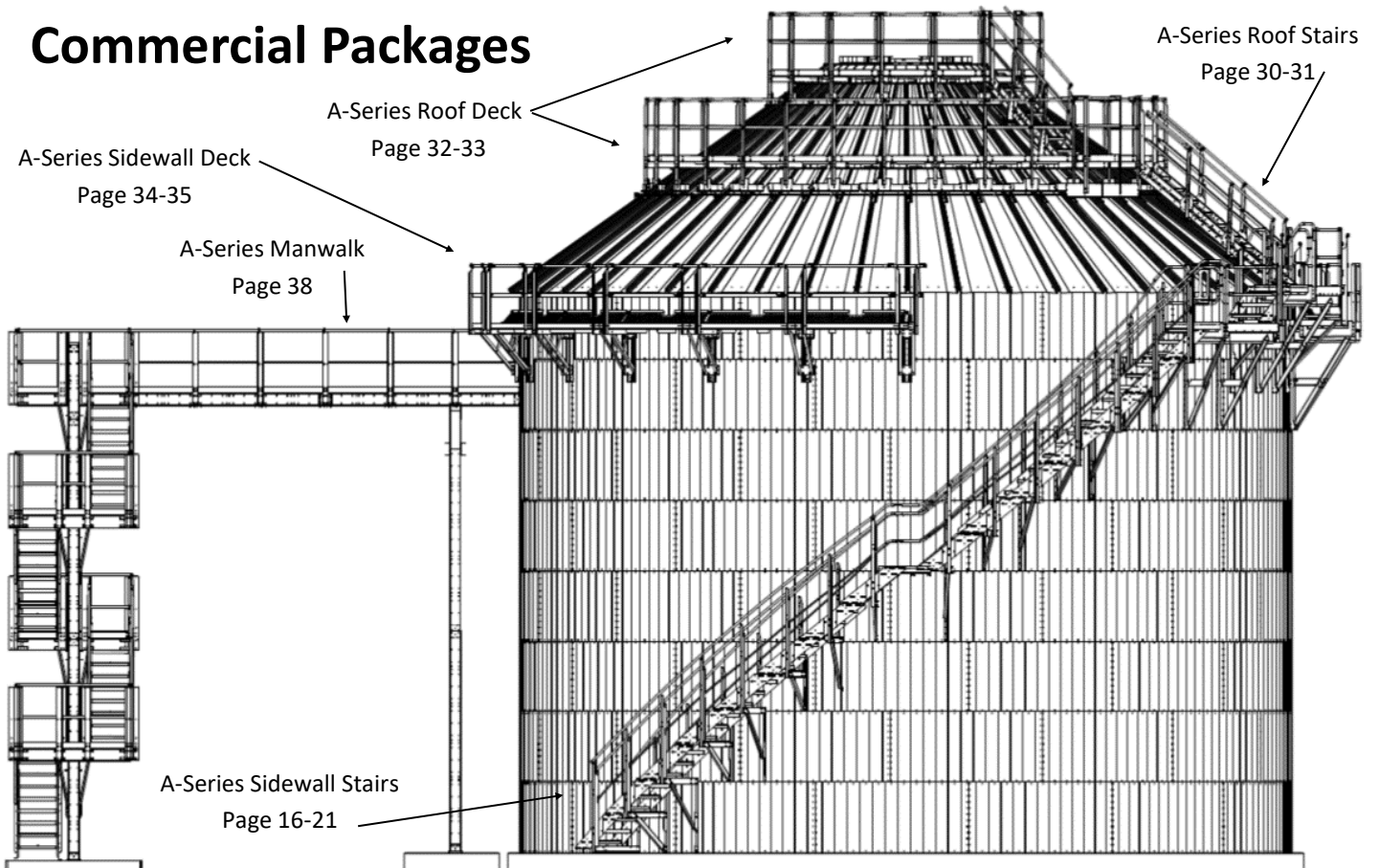
Sidewall Stairs.....	4
Easy Step Stairs System.....	4-5
Hi-Lo Roof Stair to Manhole Configuration.....	6
Gate & Easy Step Platform Illustrations.....	7
Original Sidewall Stairs.....	8-9
Straight Up Stairs.....	8
C-Series Sidewall Stairs.....	10-15
A-Series Sidewall Stairs.....	16-21
A-Series Landing with Variable Stairs.....	22
A-Series Gates.....	23
Roof Packages.....	24
Easy Step Roof Ladder Handrail.....	24-25
Easy Step Roof Stairs.....	26-27
Easy Step Peak Handrail.....	28
Easy Step Walkarounds.....	29
A-Series Roof Stairs.....	30-31
A-Series Roof Deck.....	32
A-Series Walkarounds.....	33
A-Series Sidewall Deck (Eave Walkaround).....	34-35
Mid Roof Handrail.....	41
Material Handling Access and Support.....	36
Manwalk Supports.....	36
Manwalk.....	37
Cut In Hatch.....	37
A-Series Manwalk.....	38
A-Series Variable Stairs.....	39
A-Series Foundation Deck.....	40
Conveyor Support.....	42
Conveyor Support Wall Mount Towers.....	43
Box Frame Support Towers.....	44
Support Rings.....	45
Tools.....	45
Loop End Towers.....	46-47
Wall Mount Loop Supports.....	48-49
Contact Information.....	50

Roadmap to Safety

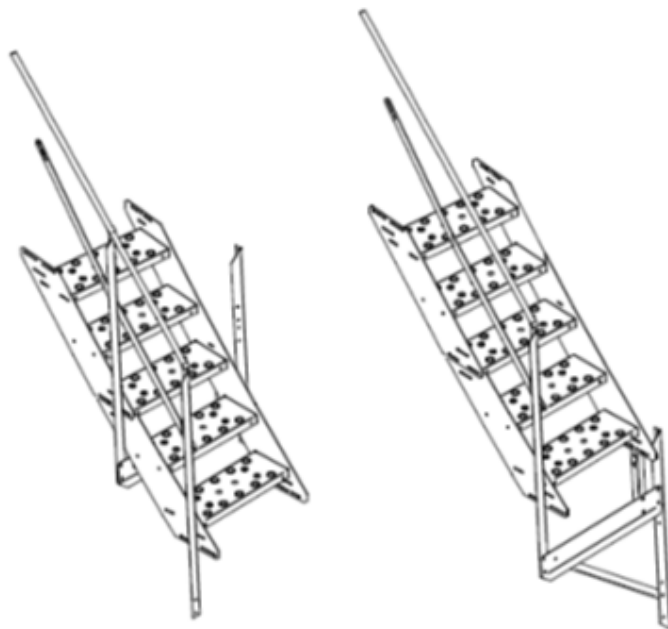
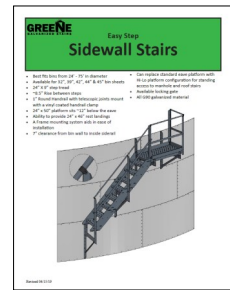
Farm Packages



Commercial Packages

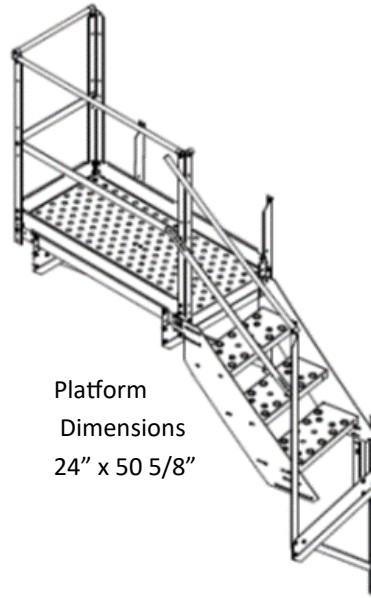


Easy Step Sidewall Stairs

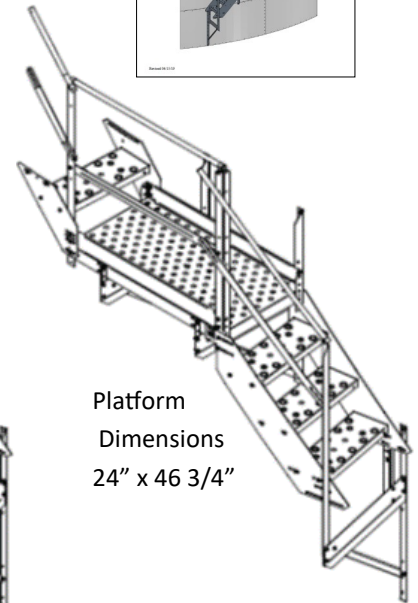


ES4400 Stair Section

ES4400 Bottom Stair Section



Platform
Dimensions
24" x 50 5/8"



Platform
Dimensions
24" x 46 3/4"

ES3500 Series Stair Top Platform Package

ES3600 Series Intermediate Platform Package

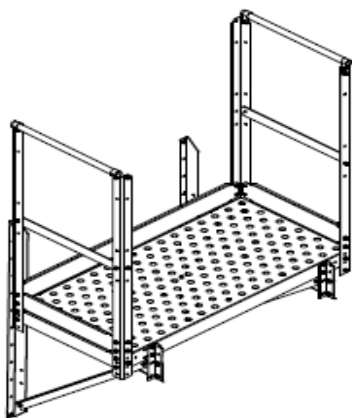
Ordering Information:

- Easy Step stairs feature a 24" wide step that sits 7" from the bin wall.
- Easy Step sidewall stairs fit bins from 24' to 75' in diameter
- For adjacent bins sharing one platform, space bin walls 38" apart, if using a twin platform space 64" apart
- For larger spans refer to page 7 for the use of the Easy Step Filler Platform, ES3748
- Easy Step Platform sits 12" below the eave
- To calculate parts needed, order 1 Stair Platform with Stair Assembly (ES35xx) for the top ring of your bin, and 1 Stair Section for each remaining ring (ESxx00)
- To use an Intermediate Platform, substitute an Intermediate Platform and Stair Assembly for 1 Stair Section (ES36xx).
- Does not meet OSHA regulation 1910.25(C)(3)
- Example: On an 8-ring 44" sheet bin with an Intermediate Platform, use 1-ES3544, 1-ES3644, and 6-ES4400

Item	Description	List Price	Weight	Horizontal Travel	Bolt Spaces	Ring Size	Rise per Step
ES3200	32" Easy Step Stair Section	\$351.87	70 lbs	32 13/16"	3 1/2	32"	8"
ES3900	39" Easy Step Stair Section	\$407.07	82 lbs	37 1/8"	9	39"	7.8"
ES4200	42" Easy Step Stair Section	\$407.07	82 lbs	38 7/8"	4	42"	8.4"
ES4400	44" Easy Step Stair Section	\$407.07	84 lbs	37 1/2"	4	44"	8.8"
ES4500	45" Easy Step Stair Section	\$407.07	82 lbs	37 13/16"	4	45"	9"
ASG150	A-Series Sidewall Gate Galvanized	\$316.23	38 lbs	See figure on pg. 7 or pg. 23 for more detailed information.			
ASG250	A-Series Sidewall Gate, Yellow	\$379.47	38 lbs				

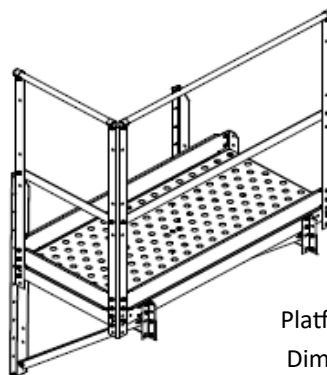
Easy Step Platforms

Item	Description	List Price	Weight	Horizontal Travel	Bolt Spaces	Ring Size	Rise per Step
ES3532	32" Easy Step Platform & Stair Assy	\$758.94	130 lbs	56 1/4"	6	32"	8"
ES3539	39" Easy Step Platform & Stair Assy	\$904.98	146 lbs	66"	16	39"	7.8"
ES3542	42" Easy Step Platform & Stair Assy	\$904.98	146 lbs	68 1/32"	7	42"	8.4"
ES3544	44" Easy Step Platform & Stair Assy	\$904.98	146 lbs	65 5/8"	7	44"	8.8"
ES3545	45" Easy Step Platform & Stair Assy	\$904.98	146 lbs	66 1/8"	7	45"	9"
ES3632	32" Easy Step Intermediate Platform & Stair Assembly	\$778.49	140 lbs	70 5/16"	7 1/2	32"	8"
ES3639	39" Easy Step Intermediate Platform & Stair Assembly	\$806.09	151 lbs	74 1/4"	18	39"	7.8"
ES3642	42" Easy Step Intermediate Platform & Stair Assembly	\$806.09	151 lbs	77 3/4"	8	42"	8.4"
ES3644	44" Easy Step Intermediate Platform & Stair Assembly	\$806.09	151 lbs	75"	8	44"	8.8"
ES3645	45" Easy Step Intermediate Platform & Stair Assembly	\$806.09	151 lbs	75 19/32"	8	45"	9"
ES3732	32" Easy Step Twin Platform	\$480.66	84 lbs	37 1/2"	4	32"	
ES3739	39" Easy Step Twin Platform	\$489.86	88 lbs	37 1/8"	9	39"	
ES3742	42" Easy Step Twin Platform	\$489.86	88 lbs	38 7/8"	4	42"	
ES3744	44" Easy Step Twin Platform	\$489.86	88 lbs	37 1/2"	4	44"	
ES3745	45" Easy Step Twin Platform	\$489.86	88 lbs	37 13/16"	4	45"	
ES3832	32" Easy Step Ladder Platform	\$472.61	85 lbs	37 1/2"	4	32"	
ES3839	39" Easy Step Ladder Platform	\$495.61	89 lbs	37 1/8"	9	39"	
ES3842	42" Easy Step Ladder Platform	\$495.61	89 lbs	38 7/8"	4	42"	
ES3844	44" Easy Step Ladder Platform	\$495.61	89 lbs	37 1/2"	4	44"	
ES3845	45" Easy Step Ladder Platform	\$495.61	89 lbs	37 13/16"	4	45"	
ES3932	32" Easy Step End Platform	\$501.36	90 lbs	37 1/2"	4	32"	
ES3939	39" Easy Step End Platform	\$523.21	94 lbs	37 1/8"	9	39"	
ES3942	42" Easy Step End Platform	\$523.21	94 lbs	38 7/8"	4	42"	
ES3944	44" Easy Step End Platform	\$523.21	94 lbs	37 1/2"	4	44"	
ES3945	45" Easy Step End Platform	\$523.21	94 lbs	37 13/16"	4	45"	
ES3748	Twin Platform Filler 48", figure on pg 7	\$264.48	58 lbs	48"x24" deck dim.		All	
ES3850	Easy Step Platform Filler	\$135.69	15 lbs	18 3/4"	2	All	
4040	Platform Filler Plate (field cut), figure on pg 7	\$215.03	37 lbs	48"x40" deck dim.		All	



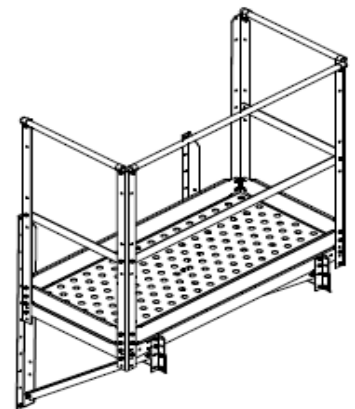
Platform Dimensions
24" x 50 5/8"

ES3700 Series Twin Platform



Platform Dimensions
24" x 50 5/8"

ES3800 Series Ladder Platform



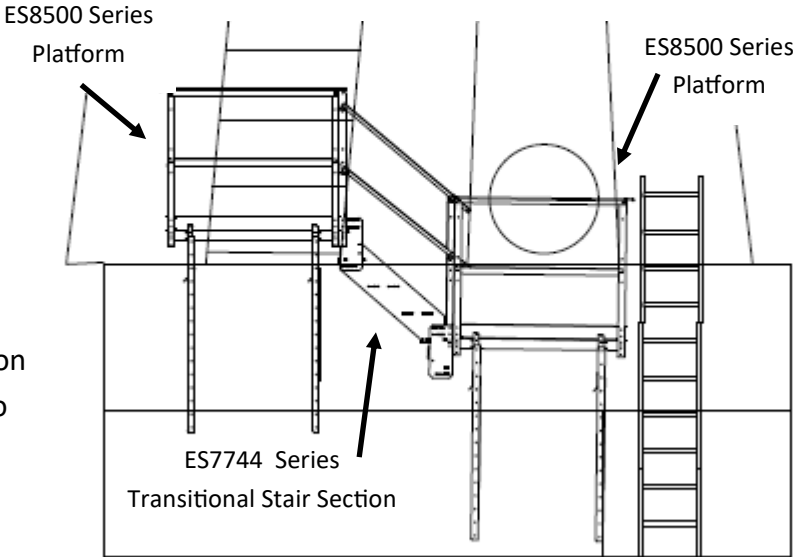
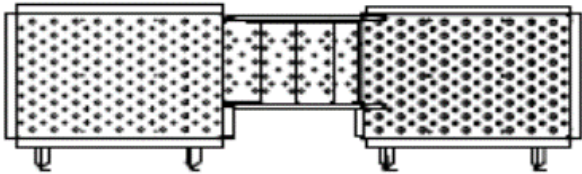
ES3900 Series End Platform

Hi-Lo Roof Stair to Manhole Configuration

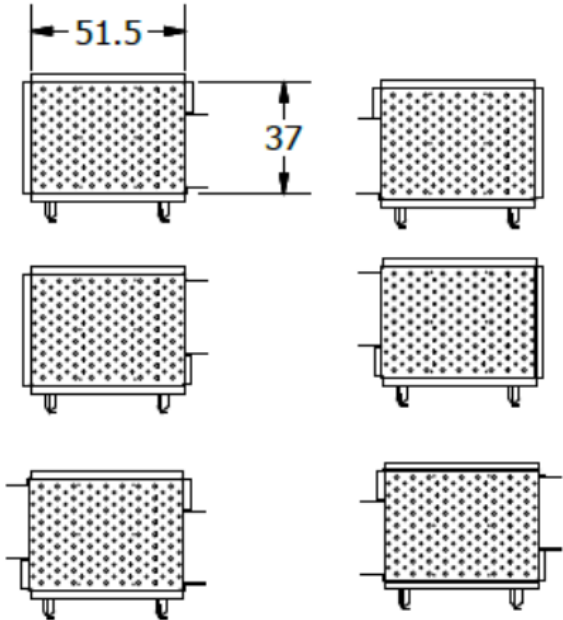
For use on bins 36' in diameter and larger



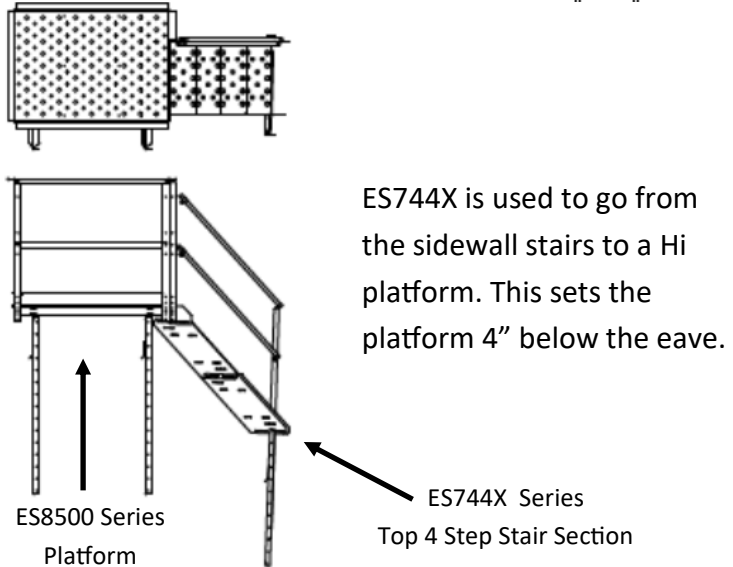
Item	Description	List Price	Weight	Horizontal Travel	Bolt Spaces	Ring Size
ES7442	42" Easy Step Top 4 Step Section	\$407.07	84 lbs	38 7/8"	4	42"
ES7444	44" Easy Step Top 4 Step Section	\$407.07	84 lbs	37 1/2"	4	44"
ES7744	Transitional Stair Section	\$508.26	105 lbs	37 1/2"	4	All
ES8539	39" Easy Step Stair Top High Platform	\$1,015.37	208 lbs	37 1/8"	9	39"
ES8542	42" Easy Step Stair Top High Platform	\$1,015.37	204 lbs	38 7/8"	4	42"
ES8544	44" Easy Step Stair Top High Platform	\$1,015.37	208 lbs	37 1/2"	4	44"
ES8545	45" Easy Step Stair Top High Platform	\$1,015.37	208 lbs	37 1/2"	4	45"
ES8850	Platform Filler	\$169.04	22 lbs	18 3/4"	2	All



ES7744 is only used as a transitional stair section from Hi to Lo platforms. This configuration is to be utilized by ladder access only.

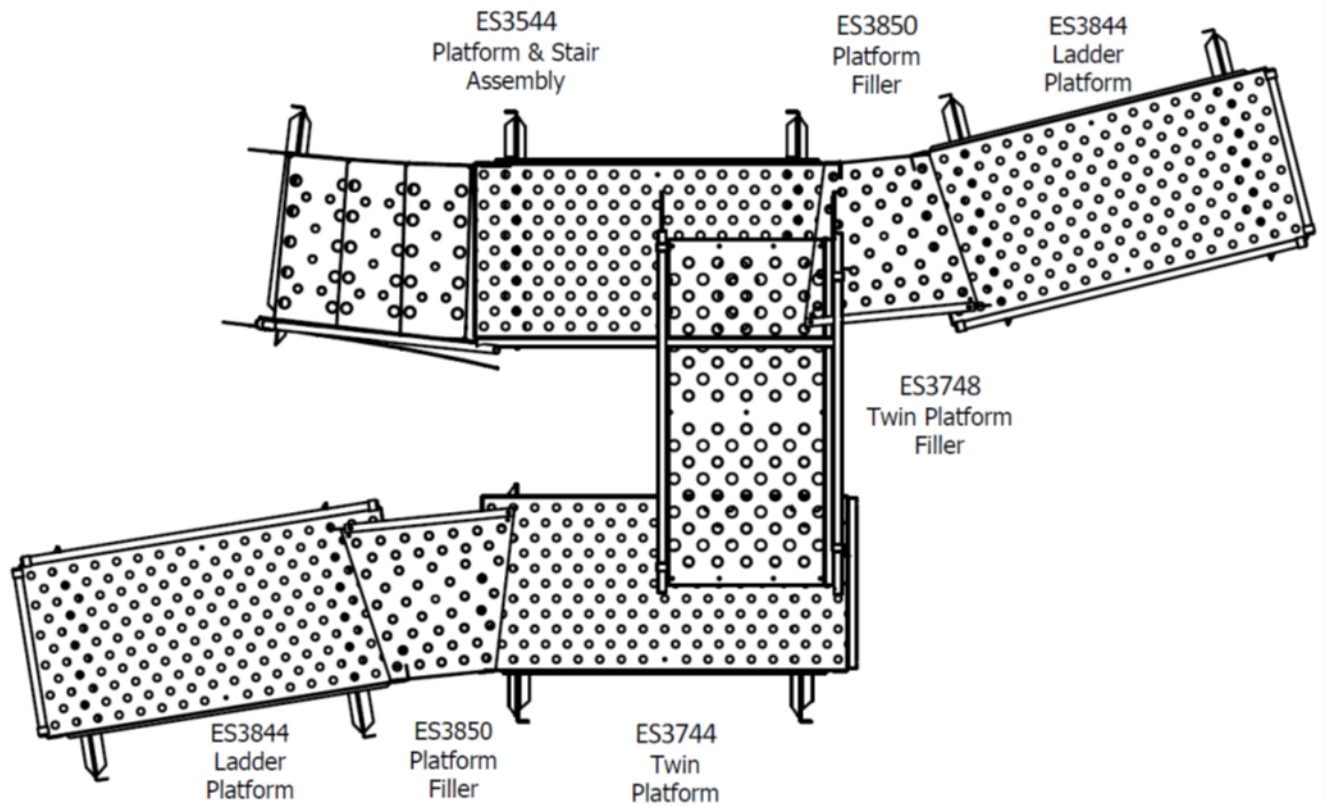
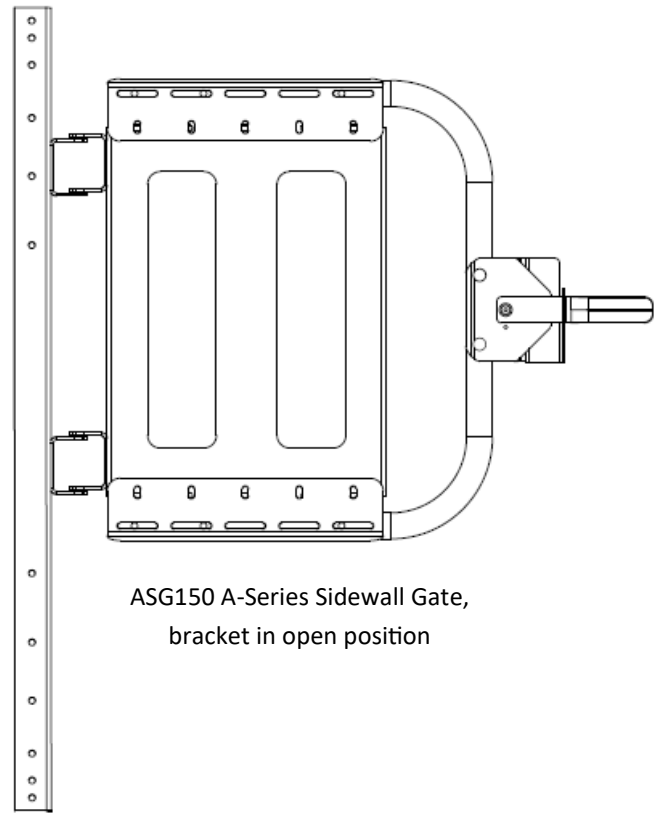
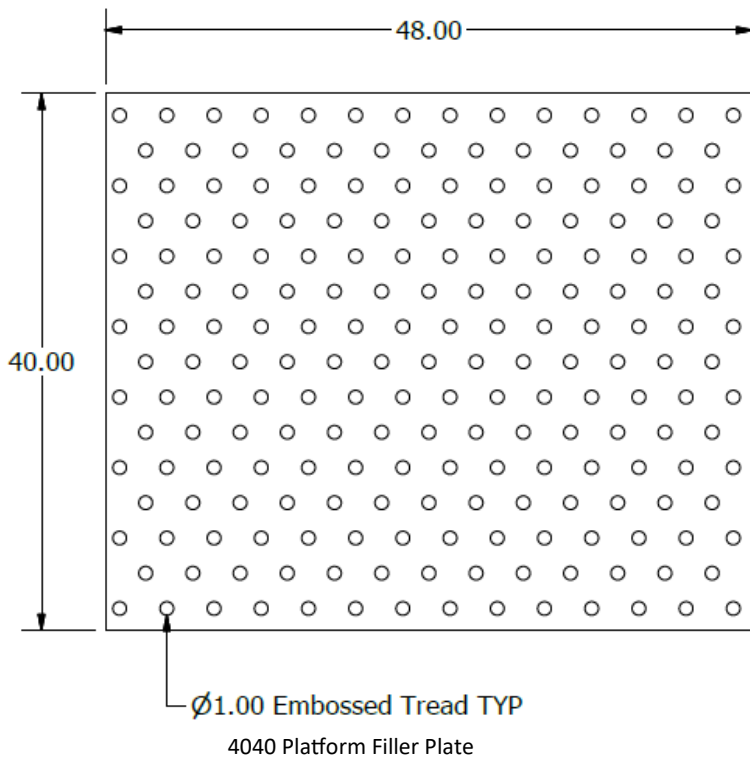


Overhead view of the various entry options



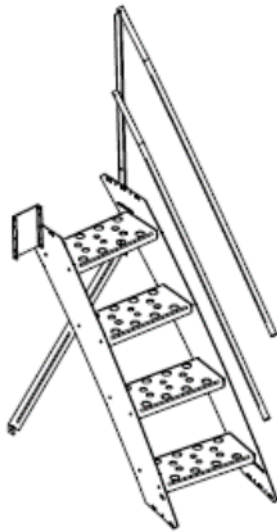
ES744X is used to go from the sidewall stairs to a Hi platform. This sets the platform 4" below the eave.

Gate & Easy Step Platform Illustrations

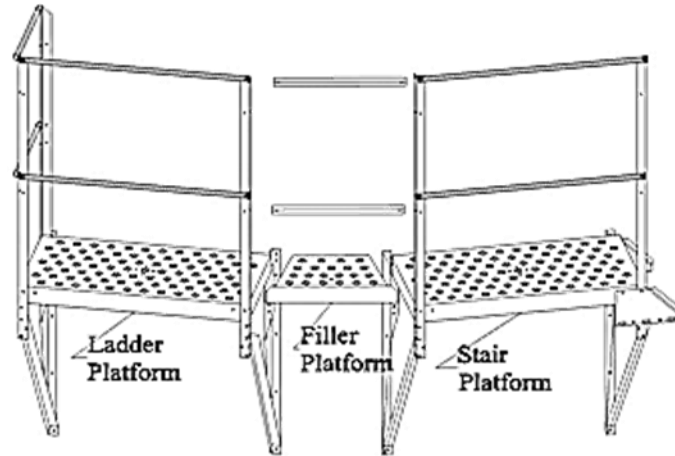


Original Sidewall Stairs

Not for Commercial Use



14400 Stair Section



38000 Ladder Platform, 38050 Platform Filler, 35000 Stair Platform

Ordering Information:

- Original Sidewall Stairs feature a 20" wide step that sits 6" from the bin wall.
- Original Sidewall Stair packages fit bins from 18' to 105' diameter and are not for commercial use.
- For adjacent bins sharing one platform, space bin walls 32" apart, and 54" if using a twin platform.
- On a standard bin, the stair sections used are determined by the height of the sheet. For a 32" bin sheet, use one 13200 per sheet. For the top two rings, the parts needed are determined by the desired location of the platform, using the chart below.

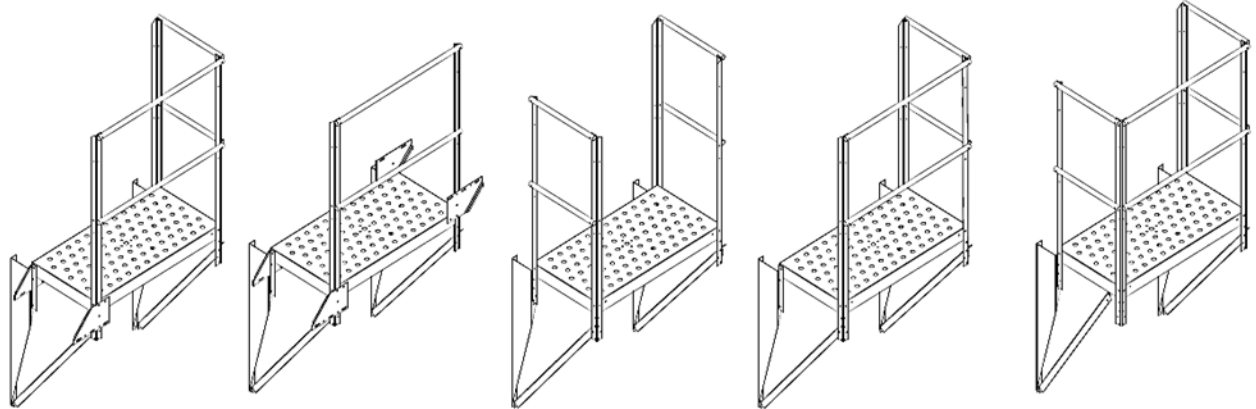
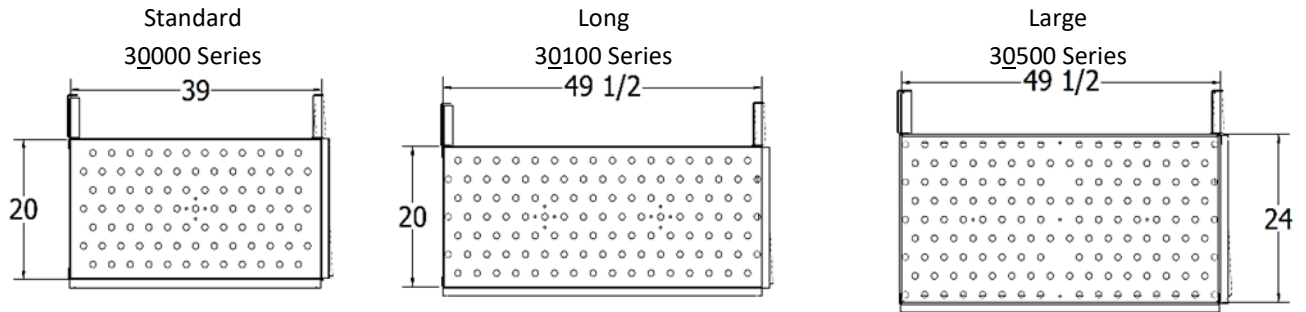
Height of rings	5 ½" below eave	16" below eave
44"	1-35000 Platform 1-13200 Section 1-14400 Section	1-35000 Platform 1-12100 Section 1-14400 Section
32"	1-35000 Platform 1-12100 Section 1-13200 Section	1-35000 Platform 1-14400 Section

Example: For an 8-ring bin with 32" sheets and a platform 16" below eave, use 1-35000 Platform, 1-14400 Stair Section, and 6-13200 Stair Sections.

Item	Description	List Price	Weight	Horizontal Travel	Bolt Spaces
12100	21" Stair Section	\$193.19	38 lbs	18 3/4"	2
13200	32" Stair Section	\$262.18	51 lbs	28 1/8"	3
14200	42" Stair Section	\$351.87	64 lbs	37 1/2"	4
14400	44" Stair Section	\$351.87	64 lbs	37 1/2"	4
40000	Booster Step	\$79.34	8 lbs		
45000	Door Step	\$91.99	10 lbs		
62001	Straight Up Stair, Starter Section	\$139.14	22 lbs	12"	
62003	Straight Up Stair, Rise Section	\$401.32	64 lbs	36"	
63500	Straight Up Platform	\$566.91	90 lbs	24"x52" deck dim.	

Original Sidewall Platforms

Not for Commercial Use



35000 Stair Platform

36000 Intermediate Platform

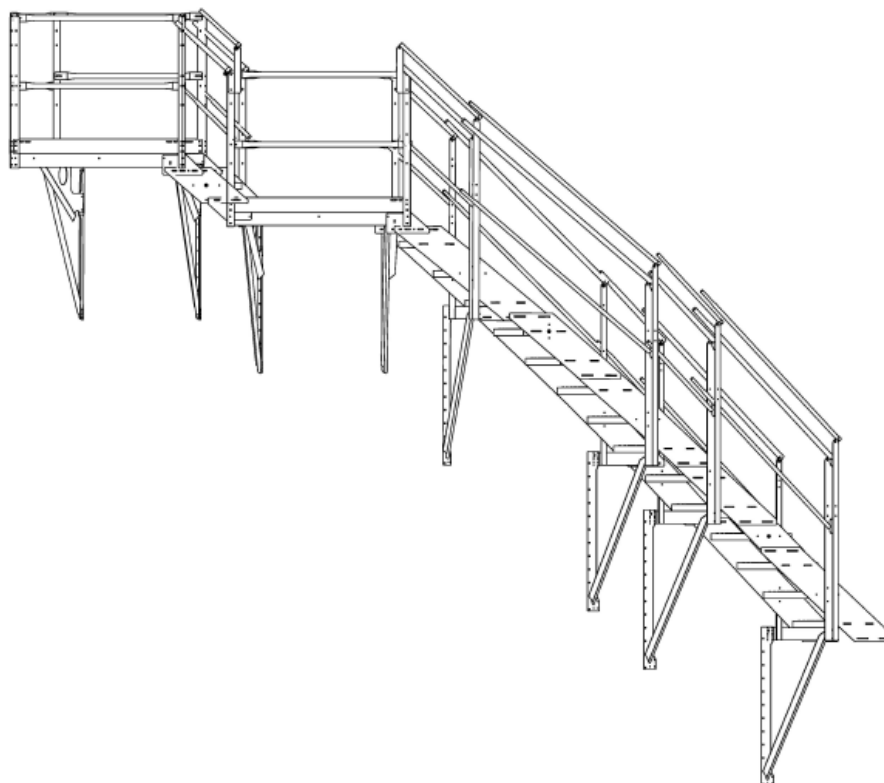
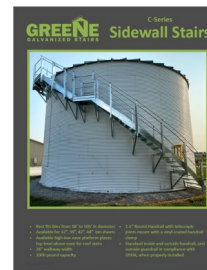
37000 Twin Platform

38000 Ladder Platform

39000 End Platform

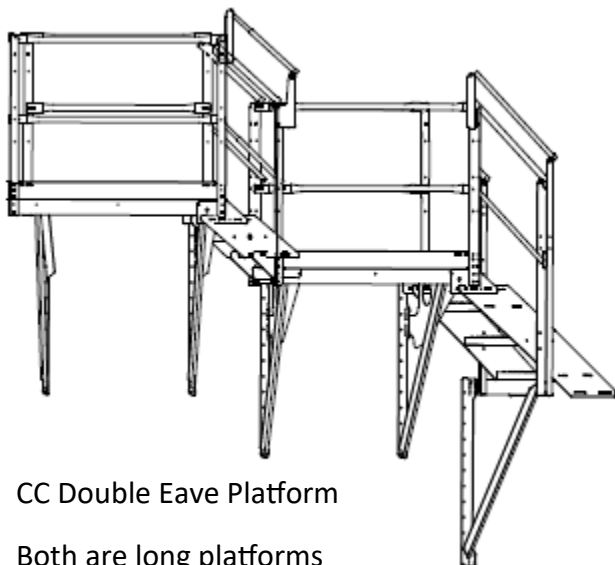
Item	Description	List Price	Weight	Horizontal	
				Travel	Bolt Spaces
35000	Standard Stair Platform	\$335.77	64 lbs	37 1/2"	4
35100	Long Stair Platform	\$390.97	74 lbs	46 7/8"	5
36000	Standard Intermediate Platform	\$292.08	60 lbs	37 1/2"	4
36100	Long Intermediate Platform	\$367.97	67 lbs	46 7/8"	5
37000	Standard Twin Platform	\$292.08	62 lbs	37 1/2"	4
37100	Long Twin Platform	\$367.97	68 lbs	46 7/8"	5
37500	Large Twin Platform	\$420.87	84 lbs	46 7/8"	5
38000	Standard Ladder Platform	\$292.08	66 lbs	37 1/2"	4
38100	Long Ladder Platform	\$367.97	69 lbs	46 7/8"	5
38500	Large Ladder Platform	\$420.87	84 lbs	46 7/8"	5
39000	Standard End Platform	\$315.08	69 lbs	37 1/2"	4
39100	Long End Platform	\$390.97	78 lbs	46 7/8"	5
39500	Large End Platform	\$436.97	87 lbs	46 7/8"	5
37048	Twin Platform Filler 48"	\$318.53	58 lbs		
38050	Platform Filler	\$71.29	10 lbs	9 3/8"	1
35002	Kickboard Kit	\$77.04	14 lbs		

C-Series Sidewall Stairs



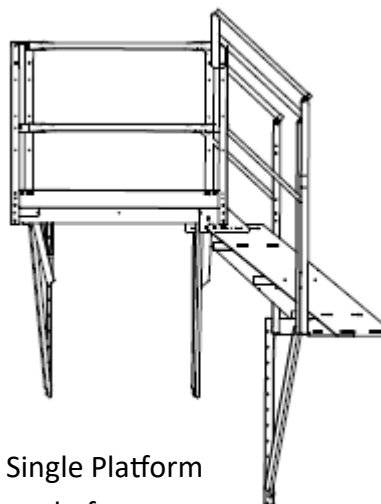
The C-Series Commercial (CC) Sidewall Stairs were designed to offer compliance when egress standards are not expected

- *The 24 inch walkway has an inside and outside railing with a guardrail on the exposed side and provides 9 inches of clearance from the bin wall for stiffeners and wind rings*
- *The C-Series is capable of fitting bins 18 ft in diameter to 156 ft in diameter*
- *Platforms can be placed at any elevation as any normal step (Contact us to quote your custom elevation)*
- *Two lengths of trapezoid platforms help to eliminate gaps between platform and top step*
- *CF modules do not include an inside railing or guard rail on the exposed side*
- *CC packages include double eave platforms 4.4" above eave and 12" below inspection portal, as well as rest landings every 6 wide rings*
- *CF packages do not include rest landings and have one platform 4.4" below eave*



CC Double Eave Platform

Both are long platforms



CF Single Platform

Long platform

C-Series Sidewall Stairs

Ordering Information: The C-Series Sidewall Stairs are currently offered for Farm (CF) and Commercial (CC) applications

- 4 different sizes: 44", 42" (Chief), 39" & 32"
- The individual units are listed below, replace the XX with the ring height
- Commercial layouts include rest landings approximately every 24 feet or 6 wide rings
- CC packages include a top platform 4.4" above eave, and a low platform 12" below eave
- CF packages include one platform 4.4" below eave

"CC" Commercial Modules

Item	Description	List Price	Weight	Horizontal Travel	Bolt Spaces
CC35XXL	C-Series Long Stair Platform	\$671.00	153 lbs	37 1/2"	4
CC35XXS	C-Series Short Stair Platform	\$623.00	142 lbs	28 1/8"	3
CC36XXL	C-Series Long Intermediate Platform	\$600.00	137 lbs	37 1/2"	4
CC36XXS	C-Series Short Intermediate Platform	\$552.00	126 lbs	28 1/8"	3
CCXX00	C-Series 5 Step Sidewall Stair Section, 44", 42" (Chief) & 39" Sheets	\$623.00	145 lbs	46 7/8"	5
CC3200	C-Series 4 Step Sidewall Stair Section, 32" Sheet	\$536.00	118 lbs	37 1/2"	4
CCXX04	C-Series 4 Step Sidewall Stair Section, 44", 42" (Chief) & 39" Sheets	\$536.00	122 lbs	37 1/2"	4
CCXX03	C-Series 3 Step Sidewall Stair Section	\$447.00	102 lbs	28 1/8"	3
CCXX02	C-Series 2 Step Sidewall Stair Section	\$381.00	86 lbs	18 3/4"	2
CCXX01	C-Series 1 Step Sidewall Stair Section	\$99.00	22 lbs	9 3/8"	1
CC3850	C-Series Platform Filler	\$88.00	20 lbs	18 3/4"	2
ASG300	A-Series Sidewall Gate, Yellow - figure on pg. 23	\$316.23	38 lbs		

"CF" Farm Modules

Item	Description	List Price	Weight	Horizontal Travel	Bolt Spaces
CF35XXL	C-Series Long Stair Platform	\$635.00	144 lbs	37 1/2"	4
CF35XXS	C-Series Short Stair Platform	\$587.00	134 lbs	28 1/8"	3
CF36XXL	C-Series Long Intermediate Platform	\$582.00	132 lbs	37 1/2"	4
CF36XXS	C-Series Short Intermediate Platform	\$535.00	122 lbs	28 1/8"	3
CFXX00	C-Series 5 Step Sidewall Stair Section, 44", 42" (Chief) & 39" Sheets	\$508.00	118 lbs	46 7/8"	5
CF3200	C-Series 4 Step Sidewall Stair Section, 32" Sheet	\$508.00	95 lbs	37 1/2"	4
CFXX04	C-Series 4 Step Sidewall Stair Section, 44", 42" (Chief) & 39" Sheets	\$508.00	98 lbs	37 1/2"	4
CFXX03	C-Series 3 Step Sidewall Stair Section	\$356.00	81 lbs	28 1/8"	3
CFXX02	C-Series 2 Step Sidewall Stair Section	\$290.00	66 lbs	18 3/4"	2
CFXX01	C-Series 1 Step Sidewall Stair Section	\$82.00	19 lbs	9 3/8"	1
CC3850	C-Series Platform Filler	\$88.00	20 lbs	18 3/4"	2
ASG300	A-Series Sidewall Gate, Yellow - figure on pg. 23	\$316.23	38 lbs		

C-Series Sidewall Stairs

44" Bin Sheets with 4" corrugation

With 12—9.375" or 24—4.688" bolt spacing

CC Commercial Duty Packages Rest Landings every 6 rings

	List Price	Weight
CC401	\$ 1,821.00	413.517
CC404	\$ 3,690.00	838.395
CC405	\$ 4,313.00	980.021
CC406	\$ 4,936.00	1121.647
CC407	\$ 6,024.00	1369.289
CC408	\$ 6,647.00	1510.915
CC409	\$ 7,270.00	1652.541
CC410	\$ 7,893.00	1794.167
CC411	\$ 8,516.00	1935.793
CC412	\$ 9,139.00	2077.419
CC413	\$ 10,227.00	2325.061
CC414	\$ 10,850.00	2466.687
CC415	\$ 11,473.00	2608.313
CC416	\$ 12,096.00	2749.939
CC417	\$ 12,719.00	2891.565
CC418	\$ 13,342.00	3033.191
CC419	\$ 14,430.00	3280.833
CC420	\$ 15,053.00	3422.459
CC421	\$ 15,676.00	3564.085
CC422	\$ 16,299.00	3705.711
CC423	\$ 16,922.00	3847.337
CC424	\$ 17,545.00	3988.963
CC425	\$ 18,633.00	4236.605
CC426	\$ 19,256.00	4378.231
CC427	\$ 19,879.00	4519.857
CC428	\$ 20,502.00	4661.483
CC429	\$ 21,125.00	4803.109
CC430	\$ 21,748.00	4944.735
CC431	\$ 22,371.00	5086.361
CC432	\$ 23,459.00	5334.003
CC433	\$ 24,082.00	5475.629
CC434	\$ 24,705.00	5617.255

CF Farm Duty Packages No Rest Landings No inside rail or guardrail

	List Price	Weight
CF404	\$ 2,592.00	588.88
CF405	\$ 3,100.00	704.31
CF406	\$ 3,608.00	819.74
CF407	\$ 4,116.00	935.17
CF408	\$ 4,624.00	1050.6
CF409	\$ 5,132.00	1166.03
CF410	\$ 5,640.00	1281.46
CF411	\$ 6,148.00	1396.89
CF412	\$ 6,656.00	1512.32
CF413	\$ 7,164.00	1627.75
CF414	\$ 7,672.00	1743.18
CF415	\$ 8,180.00	1858.61
CF416	\$ 8,688.00	1974.04
CF417	\$ 9,196.00	2089.47
CF418	\$ 9,704.00	2204.9
CF419	\$ 10,212.00	2320.33
CF420	\$ 10,720.00	2435.76
CF421	\$ 11,228.00	2551.19
CF422	\$ 11,736.00	2666.62
CF423	\$ 12,244.00	2782.05
CF424	\$ 12,752.00	2897.48
CF425	\$ 13,260.00	3012.91
CF426	\$ 13,768.00	3128.34
CF427	\$ 14,276.00	3243.77
CF428	\$ 14,784.00	3359.2
CF429	\$ 15,292.00	3474.63
CF430	\$ 15,800.00	3590.06
CF431	\$ 16,308.00	3705.49
CF432	\$ 16,816.00	3820.92
CF433	\$ 17,324.00	3936.35
CF434	\$ 17,832.00	4051.78

C-Series Sidewall Stairs

Chief 42" Bin Sheets

With 12—9.719" or 24—4.86" bolt spacing

CC Commercial Duty Package Rest Landings every 6 Rings

	List Price	Weight
CC201	\$ 1,821.00	413.517
CC204	\$ 3,690.00	838.395
CC205	\$ 4,313.00	980.021
CC206	\$ 4,936.00	1121.647
CC207	\$ 6,024.00	1369.289
CC208	\$ 6,647.00	1510.915
CC209	\$ 7,270.00	1652.541
CC210	\$ 7,893.00	1794.167
CC211	\$ 8,516.00	1935.793
CC212	\$ 9,139.00	2077.419
CC213	\$ 10,227.00	2325.061
CC214	\$ 10,850.00	2466.687
CC215	\$ 11,473.00	2608.313
CC216	\$ 12,096.00	2749.939
CC217	\$ 12,719.00	2891.565
CC218	\$ 13,342.00	3033.191
CC219	\$ 14,430.00	3280.833
CC220	\$ 15,053.00	3422.459
CC221	\$ 15,676.00	3564.085
CC222	\$ 16,299.00	3705.711
CC223	\$ 16,922.00	3847.337
CC224	\$ 17,545.00	3988.963
CC225	\$ 18,633.00	4236.605
CC226	\$ 19,256.00	4378.231
CC227	\$ 19,879.00	4519.857
CC228	\$ 20,502.00	4661.483
CC229	\$ 21,125.00	4803.109
CC230	\$ 21,748.00	4944.735
CC231	\$ 22,371.00	5086.361
CC232	\$ 23,459.00	5334.003
CC233	\$ 24,082.00	5475.629
CC234	\$ 24,705.00	5617.255

CF Farm Duty Packages No Rest Landings No inside rail or guard rail

	List Price	Weight
CF204	\$ 2,592.00	588.88
CF205	\$ 3,100.00	704.31
CF206	\$ 3,608.00	819.74
CF207	\$ 4,116.00	935.17
CF208	\$ 4,624.00	1050.6
CF209	\$ 5,132.00	1166.03
CF210	\$ 5,640.00	1281.46
CF211	\$ 6,148.00	1396.89
CF212	\$ 6,656.00	1512.32
CF213	\$ 7,164.00	1627.75
CF214	\$ 7,672.00	1743.18
CF215	\$ 8,180.00	1858.61
CF216	\$ 8,688.00	1974.04
CF217	\$ 9,196.00	2089.47
CF218	\$ 9,704.00	2204.9
CF219	\$ 10,212.00	2320.33
CF220	\$ 10,720.00	2435.76
CF221	\$ 11,228.00	2551.19
CF222	\$ 11,736.00	2666.62
CF223	\$ 12,244.00	2782.05
CF224	\$ 12,752.00	2897.48
CF225	\$ 13,260.00	3012.91
CF226	\$ 13,768.00	3128.34
CF227	\$ 14,276.00	3243.77
CF228	\$ 14,784.00	3359.2
CF229	\$ 15,292.00	3474.63
CF230	\$ 15,800.00	3590.06
CF231	\$ 16,308.00	3705.49
CF232	\$ 16,816.00	3820.92
CF233	\$ 17,324.00	3936.35
CF234	\$ 17,832.00	4051.78

C-Series Sidewall Stairs

Behlen 1M Bin Sheets

With 30—4.123" bolt spacing

CC Commercial Duty Packages

Rest Landings every 6 rings

	List Price	Weight
CC901	\$ 1,821.00	413.517
CC904	\$ 3,690.00	838.395
CC905	\$ 4,313.00	980.021
CC906	\$ 4,936.00	1121.647
CC907	\$ 6,024.00	1369.289
CC908	\$ 6,647.00	1510.915
CC909	\$ 7,270.00	1652.541
CC910	\$ 7,893.00	1794.167
CC911	\$ 8,516.00	1935.793
CC912	\$ 9,139.00	2077.419
CC913	\$ 10,227.00	2325.061
CC914	\$ 10,850.00	2466.687
CC915	\$ 11,473.00	2608.313
CC916	\$ 12,096.00	2749.939
CC917	\$ 12,719.00	2891.565
CC918	\$ 13,342.00	3033.191
CC919	\$ 14,430.00	3280.833
CC920	\$ 15,053.00	3422.459
CC921	\$ 15,676.00	3564.085
CC922	\$ 16,299.00	3705.711
CC923	\$ 16,922.00	3847.337
CC924	\$ 17,545.00	3988.963
CC925	\$ 18,633.00	4236.605
CC926	\$ 19,256.00	4378.231
CC927	\$ 19,879.00	4519.857
CC928	\$ 20,502.00	4661.483
CC929	\$ 21,125.00	4803.109
CC930	\$ 21,748.00	4944.735
CC931	\$ 22,371.00	5086.361
CC932	\$ 23,459.00	5334.003
CC933	\$ 24,082.00	5475.629
CC934	\$ 24,705.00	5617.255

CF Farm Duty Packages

No Rest Landings

No inside rail or guardrail

	List Price	Weight
CF904	\$ 2,592.00	588.88
CF905	\$ 3,100.00	704.31
CF906	\$ 3,608.00	819.74
CF907	\$ 4,116.00	935.17
CF908	\$ 4,624.00	1050.6
CF909	\$ 5,132.00	1166.03
CF910	\$ 5,640.00	1281.46
CF911	\$ 6,148.00	1396.89
CF912	\$ 6,656.00	1512.32
CF913	\$ 7,164.00	1627.75
CF914	\$ 7,672.00	1743.18
CF915	\$ 8,180.00	1858.61
CF916	\$ 8,688.00	1974.04
CF917	\$ 9,196.00	2089.47
CF918	\$ 9,704.00	2204.9
CF919	\$ 10,212.00	2320.33
CF920	\$ 10,720.00	2435.76
CF921	\$ 11,228.00	2551.19
CF922	\$ 11,736.00	2666.62
CF923	\$ 12,244.00	2782.05
CF924	\$ 12,752.00	2897.48
CF925	\$ 13,260.00	3012.91
CF926	\$ 13,768.00	3128.34
CF927	\$ 14,276.00	3243.77
CF928	\$ 14,784.00	3359.2
CF929	\$ 15,292.00	3474.63
CF930	\$ 15,800.00	3590.06
CF931	\$ 16,308.00	3705.49
CF932	\$ 16,816.00	3820.92
CF933	\$ 17,324.00	3936.35
CF934	\$ 17,832.00	4051.78

C-Series Sidewall Stairs

32" Bin Sheets with 2.66" Corrugation

With 12—9.375" or 24—4.688" bolt spacing

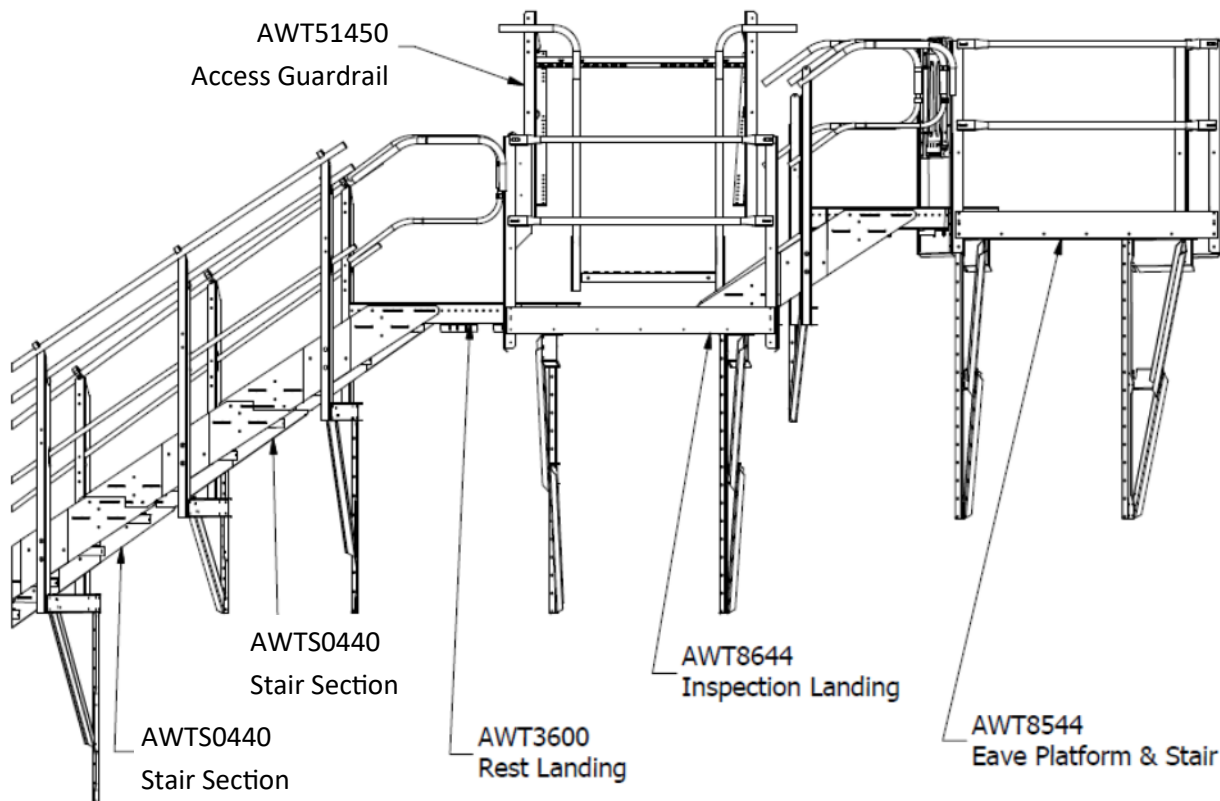
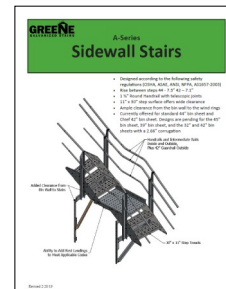
CC Commercial Duty Packages Rest Landings every 8 rings

	List Price	Weight
CC301	\$ 1,756.00	383.005
CC304	\$ 3,364.00	737.674
CC305	\$ 3,900.00	855.897
CC306	\$ 4,436.00	974.12
CC307	\$ 4,972.00	1092.343
CC308	\$ 5,508.00	1210.566
CC309	\$ 6,507.00	1429.57
CC310	\$ 7,043.00	1547.793
CC311	\$ 7,579.00	1666.016
CC312	\$ 8,115.00	1784.239
CC313	\$ 8,651.00	1902.462
CC314	\$ 9,187.00	2020.685
CC315	\$ 9,723.00	2138.908
CC316	\$ 10,259.00	2257.131
CC317	\$ 11,258.00	2476.135
CC318	\$ 11,794.00	2594.358
CC319	\$ 12,330.00	2712.581
CC320	\$ 12,866.00	2830.804
CC321	\$ 13,402.00	2949.027
CC322	\$ 13,938.00	3067.25
CC323	\$ 14,474.00	3185.473
CC324	\$ 15,010.00	3303.696
CC325	\$ 16,009.00	3522.7
CC326	\$ 16,545.00	3640.923
CC327	\$ 17,081.00	3759.146
CC328	\$ 17,617.00	3877.369
CC329	\$ 18,153.00	3995.592
CC330	\$ 18,689.00	4113.815
CC331	\$ 19,225.00	4232.038
CC332	\$ 19,761.00	4350.261
CC333	\$ 20,760.00	4569.265
CC334	\$ 21,296.00	4687.488
CC335	\$ 21,832.00	4805.711
CC336	\$ 22,368.00	4923.934
CC337	\$ 22,904.00	5042.157
CC338	\$ 23,440.00	5160.38
CC339	\$ 23,976.00	5278.603
CC340	\$ 24,512.00	5396.826

CF Farm Duty Packages No Rest Landings No inside rail or guardrail

	List Price	Weight
CF304	\$ 2,290.00	501.096
CF305	\$ 2,723.00	595.877
CF306	\$ 3,156.00	690.658
CF307	\$ 3,589.00	785.439
CF308	\$ 4,022.00	880.22
CF309	\$ 4,455.00	975.001
CF310	\$ 4,888.00	1069.782
CF311	\$ 5,321.00	1164.563
CF312	\$ 5,754.00	1259.344
CF313	\$ 6,187.00	1354.125
CF314	\$ 6,620.00	1448.906
CF315	\$ 7,053.00	1543.687
CF316	\$ 7,486.00	1638.468
CF317	\$ 7,919.00	1733.249
CF318	\$ 8,352.00	1828.03
CF319	\$ 8,785.00	1922.811
CF320	\$ 9,218.00	2017.592
CF321	\$ 9,651.00	2112.373
CF322	\$ 10,084.00	2207.154
CF323	\$ 10,517.00	2301.935
CF324	\$ 10,950.00	2396.716
CF325	\$ 11,383.00	2491.497
CF326	\$ 11,816.00	2586.278
CF327	\$ 12,249.00	2681.059
CF328	\$ 12,682.00	2775.84
CF329	\$ 13,115.00	2870.621
CF330	\$ 13,548.00	2965.402
CF331	\$ 13,981.00	3060.183
CF332	\$ 14,414.00	3154.964
CF333	\$ 14,847.00	3249.745
CF334	\$ 15,280.00	3344.526
CF335	\$ 15,713.00	3439.307
CF336	\$ 16,146.00	3534.088
CF337	\$ 16,579.00	3628.869
CF338	\$ 17,012.00	3723.65
CF339	\$ 17,445.00	3818.431
CF340	\$ 17,878.00	3913.212

A-Series Sidewall Stairs



Ordering Information: The A-Series Sidewall Stairs are offered in 5 different sizes. The individual units are listed below, replace the XX with the ring height as seen on the following pages. 1 1/2" Round Handrail with Telescopic joints. 11" x 30" step surface offers wide clearance, and ample clearance from the bin wall to the wind rings.

Item	Description	List Price	Weight
AWTS0XX0	A-Series Stair Section	\$591.06	124 lbs
AWT3600	Stair Rest Landing	\$344.97	69 lbs
AWT86XX	Inspection Rest Landing	\$1,897.36	392 lbs
AWT85XX	Eave Platform	\$1,897.36	392 lbs
AWT51450	Access Guardrail, Roof Inspection Portal	\$469.16	102 lbs
ASG300	A-Series Sidewall Gate, Yellow - figure on pg. 23	\$316.23	38 lbs

A-Series Sidewall Stairs

44" Bin Sheets with 4" corrugation

With 12—9.375" or 24—4.688" bolt spacing

Part #	# of Rings	44" ring Eave Height	List Price	Weight	AWTS0440	AWT8544	AWT8644	AWT3600	AWT51450
					List Price:	Weight:	Weight:	Weight:	Weight:
AWTS402	2	7.3	\$4,261.60	888	\$591.06	\$1,897.36	\$1,897.36	\$344.97	\$469.16
AWTS403	3	11.0	\$5,443.72	1136	124	392	392	69	102
AWTS404	4	14.7	\$6,970.81	1453				1	
AWTS405	5	18.3	\$10,519.45	2195	4	1	1	1	1
AWTS406	6	22.0	\$11,701.57	2443	6	1	1	1	1
AWTS407	7	25.7	\$12,883.69	2691	8	1	1	1	1
AWTS408	8	29.3	\$14,410.78	3008	10	1	1	2	1
AWTS409	9	33.0	\$15,592.90	3256	12	1	1	2	1
AWTS410	10	36.7	\$16,775.02	3504	14	1	1	2	1
AWTS411	11	40.3	\$18,302.11	3821	16	1	1	3	1
AWTS412	12	44.0	\$19,484.23	4069	18	1	1	3	1
AWTS413	13	47.7	\$20,666.35	4317	20	1	1	3	1
AWTS414	14	51.3	\$22,193.44	4634	22	1	1	4	1
AWTS415	15	55.0	\$23,375.56	4882	24	1	1	4	1
AWTS416	16	58.7	\$24,557.68	5130	26	1	1	4	1
AWTS417	17	62.3	\$26,084.77	5447	28	1	1	5	1
AWTS418	18	66.0	\$27,266.89	5695	30	1	1	5	1
AWTS419	19	69.7	\$28,449.01	5943	32	1	1	5	1
AWTS420	20	73.3	\$29,976.10	6260	34	1	1	6	1
AWTS421	21	77.0	\$31,158.22	6508	36	1	1	6	1
AWTS422	22	80.7	\$32,340.34	6756	38	1	1	6	1
AWTS423	23	84.3	\$33,867.43	7073	40	1	1	7	1
AWTS424	24	88.0	\$35,049.55	7321	42	1	1	7	1
AWTS425	25	91.7	\$36,231.67	7569	44	1	1	7	1
AWTS426	26	95.3	\$37,758.76	7886	46	1	1	8	1
AWTS427	27	99.0	\$38,940.88	8134	48	1	1	8	1
AWTS428	28	102.7	\$40,123.00	8382	50	1	1	8	1
AWTS429	29	106.3	\$41,650.09	8699	52	1	1	9	1
AWTS430	30	110.0	\$42,832.21	8947	54	1	1	9	1
AWTS431	31	113.7	\$44,014.33	9195	56	1	1	9	1
AWTS432	32	117.3	\$45,541.42	9512	58	1	1	10	1
AWTS433	33	121.0	\$46,723.54	9760	60	1	1	10	1
AWTS434	34	124.7	\$47,905.66	10008	62	1	1	10	1
AWTS435	35	128.3	\$49,432.75	10325	64	1	1	11	1

A-Series Sidewall Stairs

Chief 42" Bin Sheets

With 12—9.719" or 24—4.86" bolt spacing

	# of Rings	42" ring Eave Height	List Price	Weight	AWTC0420	AWT8542	AWT8642	AWT3600	AWT51450
					List Price: \$591.06	\$1,897.36	\$1,897.36	\$344.97	\$469.16
					Weight: 124	392	392	69	102
AWTC202	2	7.0	\$4,261.60	888	4	1			
AWTC203	3	10.5	\$5,443.72	1136	6	1			
AWTC204	4	14.0	\$6,970.81	1453	8	1		1	
AWTC205	5	17.5	\$10,519.45	2195	10	1	1	1	1
AWTC206	6	21.0	\$11,701.57	2443	12	1	1	1	1
AWTC207	7	24.5	\$12,883.69	2691	14	1	1	1	1
AWTC208	8	28.0	\$14,410.78	3008	16	1	1	2	1
AWTC209	9	31.5	\$15,592.90	3256	18	1	1	2	1
AWTC210	10	35.0	\$16,775.02	3504	20	1	1	2	1
AWTC211	11	38.5	\$18,302.11	3821	22	1	1	3	1
AWTC212	12	42.0	\$19,484.23	4069	24	1	1	3	1
AWTC213	13	45.5	\$20,666.35	4317	26	1	1	3	1
AWTC214	14	49.0	\$22,193.44	4634	28	1	1	4	1
AWTC215	15	52.5	\$23,375.56	4882	30	1	1	4	1
AWTC216	16	56.0	\$24,557.68	5130	32	1	1	4	1
AWTC217	17	59.5	\$26,084.77	5447	34	1	1	5	1
AWTC218	18	63.0	\$27,266.89	5695	36	1	1	5	1
AWTC219	19	66.5	\$28,449.01	5943	38	1	1	5	1
AWTC220	20	77.0	\$29,976.10	6260	40	1	1	6	1
AWTC221	21	73.5	\$31,158.22	6508	42	1	1	6	1
AWTC222	22	77.0	\$32,340.34	6756	44	1	1	6	1
AWTC223	23	80.5	\$33,867.43	7073	46	1	1	7	1
AWTC224	24	84.0	\$35,049.55	7321	48	1	1	7	1
AWTC225	25	87.5	\$36,231.67	7569	50	1	1	7	1
AWTC226	26	91.0	\$37,758.76	7886	52	1	1	8	1
AWTC227	27	94.5	\$38,940.88	8134	54	1	1	8	1
AWTC228	28	98.0	\$40,123.00	8382	56	1	1	8	1
AWTC229	29	101.5	\$41,650.09	8699	58	1	1	9	1
AWTC230	30	105.0	\$42,832.21	8947	60	1	1	9	1
AWTC231	31	108.5	\$44,014.33	9195	62	1	1	9	1
AWTC232	32	112.0	\$45,541.42	9512	64	1	1	10	1
AWTC233	33	115.5	\$46,723.54	9760	66	1	1	10	1
AWTC234	34	119.0	\$47,905.66	10008	68	1	1	10	1
AWTC235	35	122.5	\$49,432.75	10325	70	1	1	11	1

A-Series Sidewall Stairs

32" Bin Sheets with 2.66" corrugation

With 12—9.375" or 24—4.688" bolt spacing

					AWTS0320	AWTS0321	AWT8526	AWT8626	AWT3600	AWT51450
List Price:					\$591.06	\$591.06	\$1,897.36	\$1,897.36	\$344.97	\$469.16
Weight:					121	121	392	392	69	102
# of Rings	32" Ring Eave Ht.	List Price	Weight							
AWTS302	2	5.3	\$3,670.54	755	3		1			
AWTS303	3	8.0	\$4,261.60	876	3	1	1			
AWTS304	4	10.7	\$5,443.72	1118	6		1			
AWTS305	5	13.3	\$8,746.27	1802	6	1	1	1	1	1
AWTS306	6	16.0	\$9,928.39	2044	9		1	1	1	1
AWTS307	7	18.7	\$10,519.45	2165	9	1	1	1	1	1
AWTS308	8	21.4	\$11,701.57	2407	12		1	1	1	1
AWTS309	9	24.0	\$12,637.60	2597	12	1	1	1	2	1
AWTS310	10	26.7	\$13,819.72	2839	15		1	1	2	1
AWTS311	11	29.4	\$14,410.78	2960	15	1	1	1	2	1
AWTS312	12	32.0	\$15,592.90	3202	18		1	1	2	1
AWTS313	13	34.7	\$16,528.93	3392	18	1	1	1	3	1
AWTS314	14	37.4	\$17,711.05	3634	21		1	1	3	1
AWTS315	15	40.0	\$18,302.11	3755	21	1	1	1	3	1
AWTS316	16	42.7	\$19,484.23	3997	24		1	1	3	1
AWTS317	17	45.4	\$20,420.26	4187	24	1	1	1	4	1
AWTS318	18	48.1	\$21,602.38	4429	27		1	1	4	1
AWTS319	19	50.7	\$22,193.44	4550	27	1	1	1	4	1
AWTS320	20	53.4	\$23,375.56	4792	30		1	1	4	1
AWTS321	21	56.1	\$24,311.59	4982	30	1	1	1	5	1
AWTS322	22	58.7	\$25,493.71	5224	33		1	1	5	1
AWTS323	23	61.4	\$26,084.77	5345	33	1	1	1	5	1
AWTS324	24	64.1	\$27,266.89	5587	36		1	1	5	1
AWTS325	25	66.7	\$28,202.92	5777	36	1	1	1	6	1
AWTS326	26	69.4	\$29,385.04	6019	39		1	1	6	1
AWTS327	27	72.1	\$29,976.10	6140	39	1	1	1	6	1
AWTS328	28	74.8	\$31,158.22	6382	42		1	1	6	1
AWTS329	29	77.4	\$32,094.25	6572	42	1	1	1	7	1
AWTS330	30	80.1	\$33,276.37	6814	45		1	1	7	1
AWTS331	31	82.8	\$33,867.43	6935	45	1	1	1	7	1
AWTS332	32	85.4	\$35,049.55	7177	48		1	1	7	1
AWTS333	33	88.1	\$35,985.58	7367	48	1	1	1	8	1
AWTS334	34	90.8	\$37,167.70	7609	51		1	1	8	1
AWTS335	35	93.4	\$37,758.76	7730	51	1	1	1	8	1

A-Series Sidewall Stairs

42" Bin Sheets with 2.66" Corrugation

With 12—9.375" or 24—4.688" bolt spacing

					AWTS0420	AWT8526	AWT8626	AWT3600	AWT51450
List Price:					\$591.06	\$1,897.36	\$1,897.36	\$344.97	\$469.16
Weight:					121	392	392	69	102
# of	42" Ring								
Rings	Eave Height	List Price	Weight						
AWTS202	2	7.0	\$4,261.58	876	4	1			
AWTS203	3	10.5	\$5,443.69	1118	6	1			
AWTS204	4	14.0	\$6,970.78	1429	8	1		1	
AWTS205	5	17.5	\$10,519.41	2165	10	1	1	1	1
AWTS206	6	21.0	\$11,701.52	2407	12	1	1	1	1
AWTS207	7	24.5	\$12,883.63	2649	14	1	1	1	1
AWTS208	8	28.0	\$14,410.72	2960	16	1	1	2	1
AWTS209	9	31.5	\$15,592.83	3202	18	1	1	2	1
AWTS210	10	35.0	\$16,774.94	3444	20	1	1	2	1
AWTS211	11	38.5	\$18,302.03	3755	22	1	1	3	1
AWTS212	12	42.0	\$19,484.14	3997	24	1	1	3	1
AWTS213	13	45.5	\$20,666.25	4239	26	1	1	3	1
AWTS214	14	49.0	\$22,193.34	4550	28	1	1	4	1
AWTS215	15	52.5	\$23,375.45	4792	30	1	1	4	1
AWTS216	16	56.0	\$24,557.56	5034	32	1	1	4	1
AWTS217	17	59.5	\$26,084.64	5345	34	1	1	5	1
AWTS218	18	63.0	\$27,266.76	5587	36	1	1	5	1
AWTS219	19	66.5	\$28,448.87	5829	38	1	1	5	1
AWTS220	20	70.0	\$29,975.95	6140	40	1	1	6	1
AWTS221	21	73.5	\$31,158.06	6382	42	1	1	6	1
AWTS222	22	77.0	\$32,340.18	6624	44	1	1	6	1
AWTS223	23	80.5	\$33,867.26	6935	46	1	1	7	1
AWTS224	24	84.0	\$35,049.37	7177	48	1	1	7	1
AWTS225	25	87.5	\$36,231.48	7419	50	1	1	7	1
AWTS226	26	91.0	\$37,758.57	7730	52	1	1	8	1
AWTS227	27	94.5	\$38,940.68	7972	54	1	1	8	1
AWTS228	28	98.0	\$40,122.79	8214	56	1	1	8	1
AWTS229	29	101.5	\$41,649.88	8525	58	1	1	9	1
AWTS230	30	105.0	\$42,831.99	8767	60	1	1	9	1
AWTS231	31	108.5	\$44,014.10	9009	62	1	1	9	1
AWTS232	32	112.0	\$45,541.19	9320	64	1	1	10	1
AWTS233	33	115.5	\$46,723.30	9562	66	1	1	10	1
AWTS234	34	119.0	\$47,905.41	9804	68	1	1	10	1
AWTS235	35	122.5	\$49,432.49	10115	70	1	1	11	1

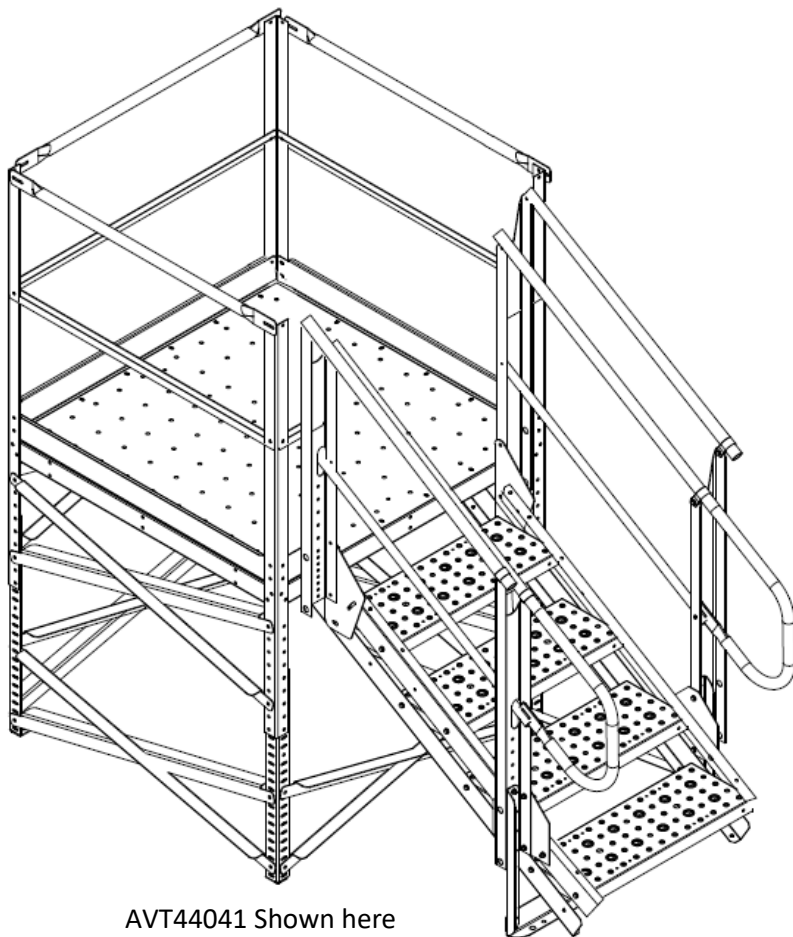
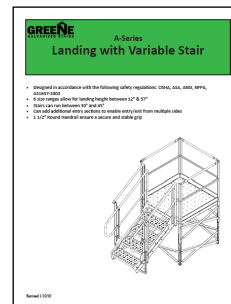
A-Series Sidewall Stairs

Behlen 1M Bin Sheets

With 30—4.123" bolt spacing

				AWTM0390	AWTM0391	AWT8539	AWT8639	AWT3600	AWT51450
			List Price:	\$591.06	\$591.06	\$1,897.36	\$1,897.36	\$344.97	\$469.16
			Weight:	121	121	392	392	69	102
	# of 1M Ring	Eave Ht.	List Price	Weight					
AWTM902	2	6.6	\$3,670.54	755	3	1			
AWTM903	3	9.8	\$4,261.60	876	3	1	1		
AWTM904	4	13.1	\$5,443.72	1118	6	1	1		
AWTM905	5	16.4	\$8,746.27	1802	6	1	1	1	1
AWTM906	6	19.6	\$9,928.39	2044	9	1	1	1	1
AWTM907	7	22.9	\$10,519.45	2165	9	1	1	1	1
AWTM908	8	26.2	\$11,701.57	2407	12	1	1	1	1
AWTM909	9	29.4	\$12,637.60	2597	12	1	1	2	1
AWTM910	10	32.7	\$13,819.72	2839	15	1	1	2	1
AWTM911	11	36.0	\$14,410.78	2960	15	1	1	2	1
AWTM912	12	39.3	\$15,592.90	3202	18	1	1	2	1
AWTM913	13	42.5	\$16,528.93	3392	18	1	1	3	1
AWTM914	14	45.8	\$17,711.05	3634	21	1	1	3	1
AWTM915	15	49.1	\$18,302.11	3755	21	1	1	3	1
AWTM916	16	52.3	\$19,484.23	3997	24	1	1	3	1
AWTM917	17	55.6	\$20,420.26	4187	24	1	1	4	1
AWTM918	18	58.9	\$21,602.38	4429	27	1	1	4	1
AWTM919	19	62.1	\$22,193.44	4550	27	1	1	4	1
AWTM920	20	65.4	\$23,375.56	4792	30	1	1	4	1
AWTM921	21	68.7	\$24,311.59	4982	30	1	1	5	1
AWTM922	22	72.0	\$25,493.71	5224	33	1	1	5	1
AWTM923	23	75.2	\$26,084.77	5345	33	1	1	5	1
AWTM924	24	78.5	\$27,266.89	5587	36	1	1	5	1
AWTM925	25	81.8	\$28,202.92	5777	36	1	1	6	1
AWTM926	26	85.0	\$29,385.04	6019	39	1	1	6	1
AWTM927	27	88.3	\$29,976.10	6140	39	1	1	6	1
AWTM928	28	91.6	\$31,158.22	6382	42	1	1	6	1
AWTM929	29	94.8	\$32,094.25	6572	42	1	1	7	1
AWTM930	30	98.1	\$33,276.37	6814	45	1	1	7	1
AWTM931	31	101.4	\$33,867.43	6935	45	1	1	7	1
AWTM932	32	104.7	\$35,049.55	7177	48	1	1	7	1
AWTM933	33	107.9	\$35,985.58	7367	48	1	1	8	1
AWTM934	34	111.2	\$37,167.70	7609	51	1	1	8	1
AWTM935	35	114.5	\$37,758.76	7730	51	1	1	8	1

A-Series Landing with Variable Stairs



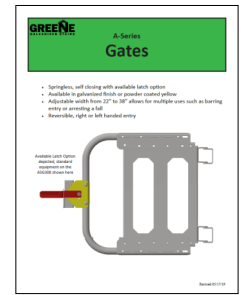
AVT44041 Shown here

Ordering Information: At a 30° pitch, the step rise is 6.75" and the step run is 11.69". At a 45° pitch the step rise is 9.5" and the step run is 9.5". If needing multiple entries, order (1) AVT0002 and (1) corresponding stair section from the previous page for each additional entry.

For Example: (1) AVT44041 Landing & 4 step
 (1) AVT0002 Entry Kit
 (1) AVT1604 4 step

Item	Description	List Price	Weight	Platform Height at 30°	Platform Height at 45°
AVT44001	A-Series 4' x 4' Landing	\$875.08	177 lbs	12"	19"
AVT44011	A-Series, 4' x 4' Landing, 1 Step Straight Up Stair Section	\$1,225.90	248 lbs	13.5"	19"
AVT44021	A-Series, 4' x 4' Landing, 2 Step Straight Up Stair Section	\$1,591.60	322 lbs	20.5"	28.5"
AVT44031	A-Series, 4' x 4' Landing, 3 Step Straight Up Stair Section	\$1,729.60	350 lbs	27"	38"
AVT44041	A-Series, 4' x 4' Landing, 4 Step Straight Up Stair Section	\$2,065.25	418 lbs	33.75"	47.5"
AVT44051	A-Series, 4' x 4' Landing, 5 Step Straight Up Stair Section	\$2,203.00	446 lbs	40.5"	57"
AVT0002	Additional A-Series Variable Stair Landing Entry Kit (bottom round rails included)	\$182.84	37 lbs		
ASG100	A-Series Self Closing Gate, Galvanized	\$252.98	38 lbs		

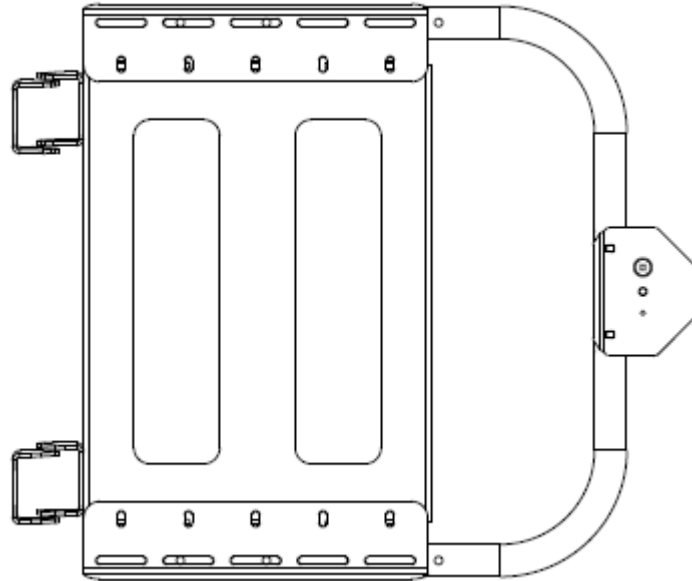
A-Series Gates



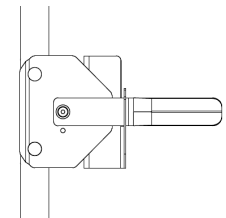
Gate Wall
Base
A



Hinge Gate
Mount
B



Gate
C



ASG010
Gate Latch
D

Ordering Information: *Springless, self closing with available latch option. Available in galvanized finish or powder coated yellow. Adjustable width from 22" to 38" allows for multiple uses such as barring entry or arresting a fall. Reversible, right or left handed entry.*

Includes	Item	Description	List Price	Weight
B, C	ASG100	A-Series Self Closing Gate Galvanized	\$ 252.98	38 lbs
A, B, C, D	ASG150	A-Series Sidewall Gate Galvanized	\$ 316.23	50 lbs
B, C	ASG200	A-Series Self Closing Gate Yellow	\$ 316.23	38 lbs
A, B, C, D	ASG250	A-Series Sidewall Gate Yellow	\$ 379.47	50 lbs
C, D	ASG300	A-Series Sidewall Stair Gate, Yellow	\$ 316.23	38 lbs
A, D	ASG050	Gate Wall Mount and Latch Galvanized	\$ 75.89	12 lbs
D	ASG010	Gate Latch	\$ 37.95	6 lbs

Easy Step Roof Ladder Handrail

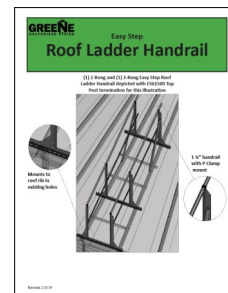
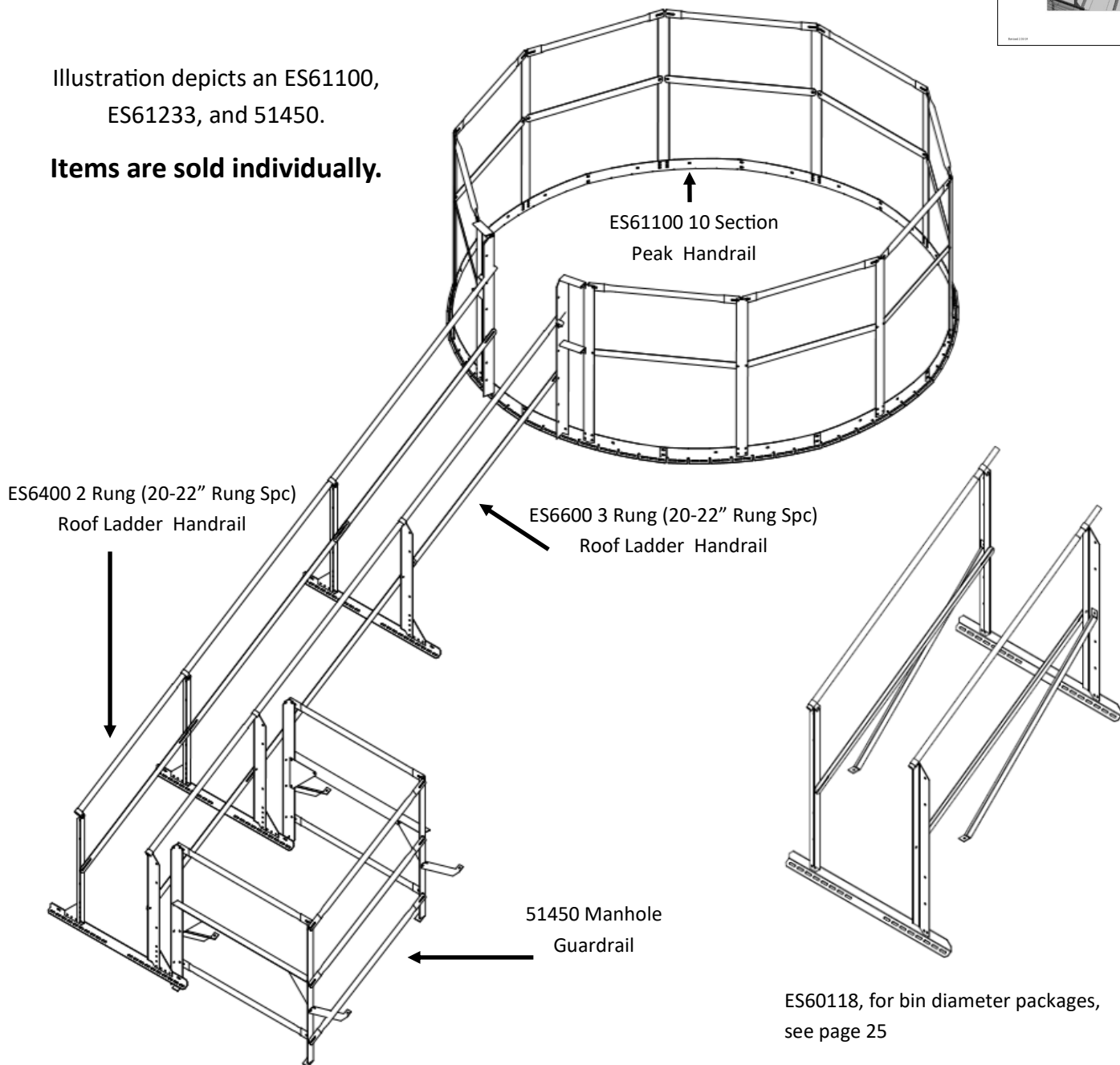


Illustration depicts an ES61100, ES61233, and 51450.

Items are sold individually.



ES60118, for bin diameter packages, see page 25

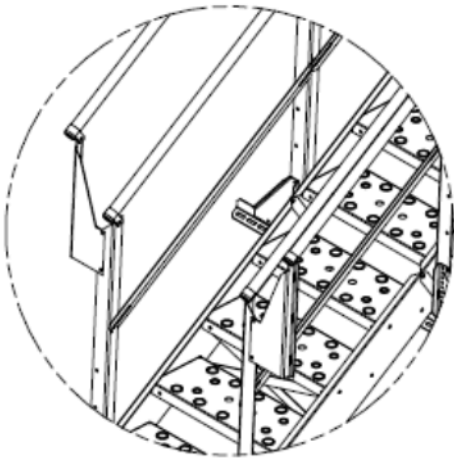
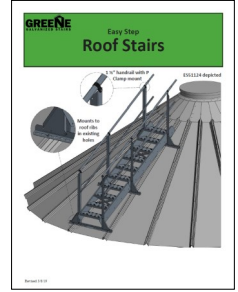
Ordering Information: Easy Step Roof Ladder handrail sections bolt to the ladder rungs attached on the bin roof between roof ribs. They come in two rung and three rung space lengths.

The Roof Ladder handrail packages are configured for use with the ES61100 or ES51100 peak package. If you are not using a peak safety package, order the next size larger roof ladder handrail package. The ES61500 Top Post Package is included in all Easy Step Roof Ladder Handrail bin packages.

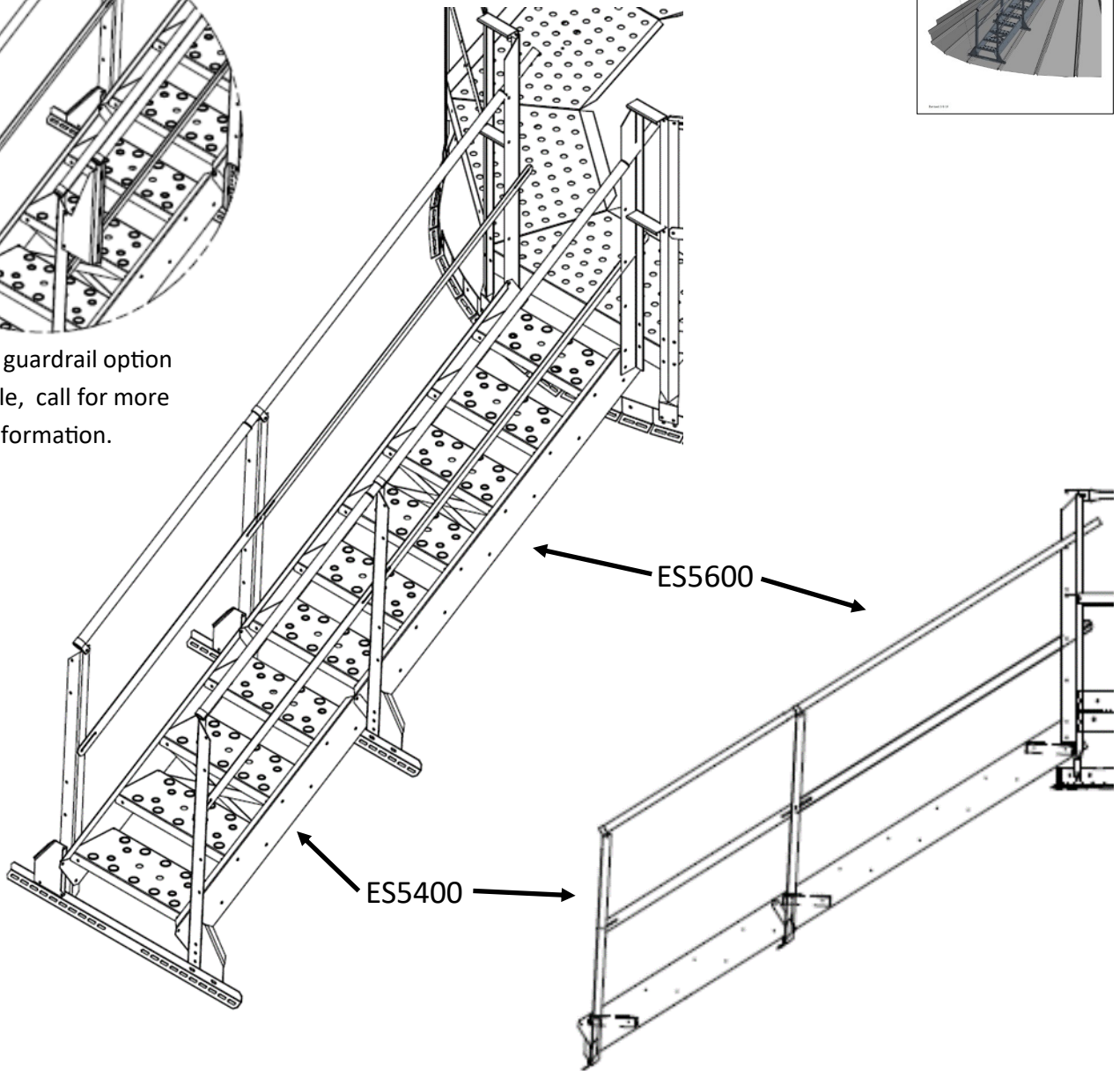
Easy Step Roof Ladder Handrail

Item	Description	List Price	Weight	No. of Sections		Linear Feet
				2 Rung	3 Rung	
ES61015	15' Easy Step Roof Ladder Handrail	\$340.37	41 lbs	1	0	3.5
ES60118	18' Easy Step Roof Ladder Handrail	\$365.67	44 lbs	0	1	5.2
ES62021	21' Easy Step Roof Ladder Handrail	\$547.36	66 lbs	2	0	7.0
ES61124	24' Easy Step Roof Ladder Handrail	\$572.66	69 lbs	1	1	8.7
ES63027	27' Easy Step Roof Ladder Handrail	\$755.49	91 lbs	3	0	10.5
ES62130	30' Easy Step Roof Ladder Handrail	\$780.79	94 lbs	2	1	12.2
ES61233	33' Easy Step Roof Ladder Handrail	\$806.09	97 lbs	1	2	14.0
ES63136	36' Easy Step Roof Ladder Handrail	\$987.78	119 lbs	3	1	15.7
ES62239	39' Easy Step Roof Ladder Handrail	\$1,013.07	122 lbs	2	2	17.5
ES61342	42' Easy Step Roof Ladder Handrail	\$1,038.37	125 lbs	1	3	19.2
ES63245	45' Easy Step Roof Ladder Handrail	\$1,221.21	147 lbs	3	2	21.0
ES62348	48' Easy Step Roof Ladder Handrail	\$1,246.51	150 lbs	2	3	22.7
ES61451	51' Easy Step Roof Ladder Handrail	\$1,271.80	153 lbs	1	4	24.5
ES63354	54' Easy Step Roof Ladder Handrail	\$1,453.49	175 lbs	3	3	26.2
ES62457	57' Easy Step Roof Ladder Handrail	\$1,478.79	178 lbs	2	4	28.0
ES61560	60' Easy Step Roof Ladder Handrail	\$1,504.09	181 lbs	1	5	29.7
ES63463	63' Easy Step Roof Ladder Handrail	\$1,685.77	203 lbs	3	4	31.5
ES62566	66' Easy Step Roof Ladder Handrail	\$1,711.07	206 lbs	2	5	33.2
ES61669	69' Easy Step Roof Ladder Handrail	\$1,736.37	209 lbs	1	6	35.0
ES63572	72' Easy Step Roof Ladder Handrail	\$1,919.21	231 lbs	3	5	36.7
ES62675	75' Easy Step Roof Ladder Handrail	\$1,944.50	234 lbs	2	6	38.5
ES61778	78' Easy Step Roof Ladder Handrail	\$1,969.80	237 lbs	1	7	40.2
ES63681	81' Easy Step Roof Ladder Handrail	\$2,151.49	259 lbs	3	6	42.0
ES62783	83' Easy Step Roof Ladder Handrail	\$2,176.79	262 lbs	2	7	43.7
ES61886	86' Easy Step Roof Ladder Handrail	\$2,202.08	265 lbs	1	8	45.5
ES63790	90' Easy Step Roof Ladder Handrail	\$2,384.92	287 lbs	3	7	47.2
ES62893	93' Easy Step Roof Ladder Handrail	\$2,410.22	290 lbs	2	8	49.0
ES61996	96' Easy Step Roof Ladder Handrail	\$2,435.52	293 lbs	1	9	50.7
ES63899	99' Easy Step Roof Ladder Handrail	\$2,617.20	315 lbs	3	8	52.5
ES629102	102' Easy Step Roof Ladder Handrail	\$2,642.50	318 lbs	2	9	54.2
ES6110105	105' Easy Step Roof Ladder Handrail	\$2,667.80	321 lbs	1	10	56.0
ES6400	2 Rung ES Roof Ladder Handrail for ladder rungs 20-22" apart	\$206.98	25 lbs	1	0	3.5
ES6200	52" ES Roof Ladder Handrail Section for ladder rungs 26" apart	\$225.38	27 lbs	1	0	4.3
ES6600	3 Rung ES Roof Ladder Handrail for ladder rungs 20-22" apart	\$232.28	28 lbs	0	1	5.3
ES61500	ES Roof Ladder Handrail Top Post Pkg	\$133.39	16 lbs			
51450	Manhole Guardrail, 3 Sided	\$401.32	64 lbs			

Easy Step Roof Stairs



Bolt on guardrail option available, call for more information.



Ordering Information: Includes top and intermediate handrail on both sides. The length of stairs is configured for use with the ES61100 or ES51100 peak package. **If a top safety package is not used, order the next length up to reach the peak and add an ES51500 to terminate the stair handrail at the peak.**

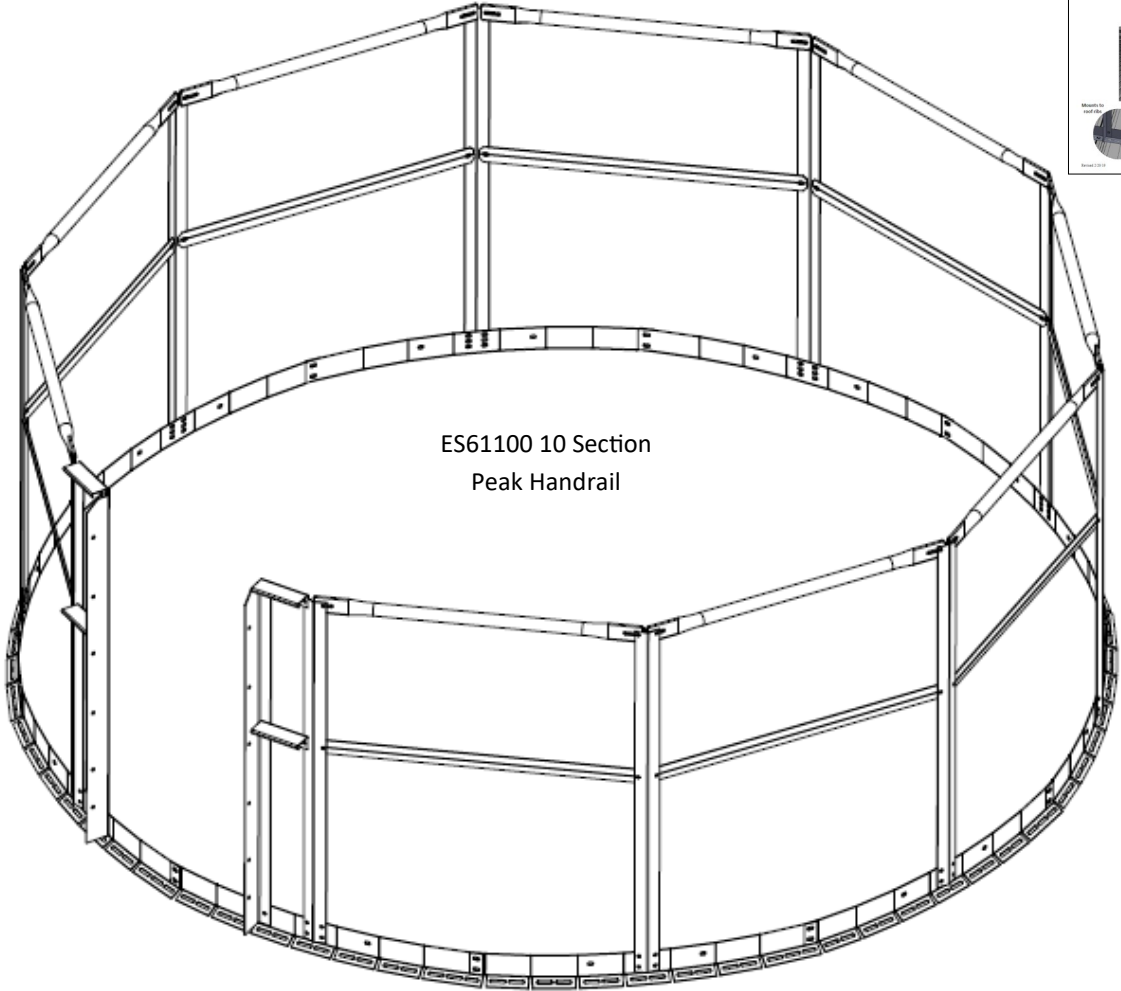
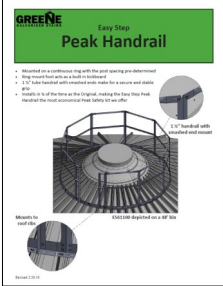
Item	Description	List Price	Weight	No. of Sections	
				4 Step	6 Step
ES5400	4 Step Easy Step Roof Stair	\$427.77	69 lbs	1	0
ES5600	6 Step Easy Step Roof Stair	\$578.41	92 lbs	0	1
51450	Manhole Guardrail, 3 sided (Figure pgs 24 &29)	\$401.32	64 lbs		
ES51500	Easy Step Top Post Package	\$126.49	16 lbs		

Easy Step Roof Stairs

Does not meet OSHA regulation 1910.25(c)(3)

Item	Description	List Price	Weight	No. of Sections		Linear
				4 Step	6 Step	Feet of Run
ES51015	15' Easy Step Roof Stair (4 steps)	\$427.77	69 lbs	1	0	3.6
ES50118	18' Easy Step Roof Stair (6 steps)	\$578.41	94 lbs	0	1	5.5
ES52021	21' Easy Step Roof Stair (8 steps)	\$855.54	138 lbs	2	0	7.3
ES51124	24' Easy Step Roof Stair (10 steps)	\$1,006.17	163 lbs	1	1	9.1
ES53027	27' Easy Step Roof Stair (12 steps)	\$1,155.66	188 lbs	0	2	11.0
ES52130	30' Easy Step Roof Stair (14 steps)	\$1,432.79	232 lbs	2	1	12.8
ES51233	33' Easy Step Roof Stair (16 steps)	\$1,583.43	257 lbs	1	2	14.6
ES53136	36' Easy Step Roof Stair (18 steps)	\$1,860.56	301 lbs	3	1	16.4
ES52239	39' Easy Step Roof Stair (20 steps)	\$2,011.20	326 lbs	2	2	18.3
ES51342	42' Easy Step Roof Stair (22 steps)	\$2,161.84	351 lbs	1	3	20.1
ES53245	45' Easy Step Roof Stair (24 steps)	\$2,438.97	395 lbs	3	2	21.9
ES52348	48' Easy Step Roof Stair (26 steps)	\$2,589.61	420 lbs	2	3	23.8
ES51451	51' Easy Step Roof Stair (28 steps)	\$2,740.24	445 lbs	1	4	25.6
ES53354	54' Easy Step Roof Stair (30 steps)	\$2,890.88	470 lbs	0	5	27.5
ES52457	57' Easy Step Roof Stair (32 steps)	\$3,166.86	514 lbs	2	4	29.3
ES51560	60' Easy Step Roof Stair (34 steps)	\$3,317.50	539 lbs	1	5	31.1
ES53463	63' Easy Step Roof Stair (36 steps)	\$3,594.63	583 lbs	3	4	32.9
ES52566	66' Easy Step Roof Stair (38 steps)	\$3,745.27	608 lbs	2	5	34.8
ES51669	69' Easy Step Roof Stair (40 steps)	\$3,895.91	633 lbs	1	6	36.6
ES53572	72' Easy Step Roof Stair (42 steps)	\$4,046.55	658 lbs	0	7	38.5
ES52675	75' Easy Step Roof Stair (44 steps)	\$4,323.68	702 lbs	2	6	40.3
ES51778	78' Easy Step Roof Stair (46 steps)	\$4,474.31	727 lbs	1	7	42.1
ES53681	81' Easy Step Roof Stair (48 steps)	\$4,751.44	771 lbs	3	6	43.9
ES52784	84' Easy Step Roof Stair (50 steps)	\$4,902.08	796 lbs	2	7	45.8
ES51887	87' Easy Step Roof Stair (52 steps)	\$5,051.57	821 lbs	1	8	47.6
ES53790	90' Easy Step Roof Stair (54 steps)	\$5,202.21	846 lbs	0	9	49.5
ES52893	93' Easy Step Roof Stair (56 steps)	\$5,479.34	890 lbs	2	8	51.3
ES51996	96' Easy Step Roof Stair (58 steps)	\$5,629.98	915 lbs	1	9	53.1
ES53899	99' Easy Step Roof Stair (60 steps)	\$5,907.11	959 lbs	3	8	54.9
ES529102	102' Easy Step Roof Stair (62 steps)	\$6,057.75	984 lbs	2	9	56.8
ES5110105	105' Easy Step Roof Stair (64 steps)	\$6,208.38	1009 lbs	1	10	58.6
ES539108	108' Easy Step Roof Stair (66 steps)	\$6,485.51	1053 lbs	3	9	60.4
ES5210111	111' Easy Step Roof Stair (68 steps)	\$6,636.15	1078 lbs	2	10	62.3
ES5111114	114' Easy Step Roof Stair (70 steps)	\$6,786.79	1103 lbs	1	11	64.1
ES5310117	117' Easy Step Roof Stair (72 steps)	\$7,062.77	1147 lbs	3	10	65.9
ES5211120	120' Easy Step Roof Stair (74 steps)	\$7,213.41	1172 lbs	2	11	67.8
ES5112123	123' Easy Step Roof Stair (76 steps)	\$7,364.05	1197 lbs	1	12	69.6
ES5311126	126' Easy Step Roof Stair (78 steps)	\$7,641.18	1241 lbs	3	11	71.4
ES5212129	129' East Step Roof Stair (80 steps)	\$7,791.82	1266 lbs	2	12	73.3
ES5113132	132' Easy Step Roof Stair (82 steps)	\$7,942.45	1291 lbs	1	13	75.1
ES5312135	135' Easy Step Roof Stair (84 steps)	\$8,093.09	1316 lbs	0	14	77.0
ES5213138	138' Easy Step Roof Stair (86 steps)	\$8,370.22	1360 lbs	2	13	78.8
ES5114141	141' Easy Step Roof Stair (88 steps)	\$8,520.86	1385 lbs	1	14	80.6
ES5313144	144' Easy Step Roof Stair (90 steps)	\$8,797.99	1429 lbs	3	13	82.4
ES5214147	147' Easy Step Roof Stair (92 steps)	\$8,947.48	1454 lbs	2	14	84.3
ES5115150	150' Easy Step Roof Stair (94 steps)	\$9,098.12	1479 lbs	1	15	86.1
ES5314153	153' Easy Step Roof Stair (96 steps)	\$9,375.25	1523 lbs	3	14	87.9
ES5215156	156' Easy Step Roof Stair (98 steps)	\$9,525.89	1548 lbs	2	15	89.8
ES5116159	159' Easy Step Roof Stair (100 steps)	\$9,676.52	1573 lbs	1	16	91.6

Easy Step Peak Handrail



ES61100 10 Section
Peak Handrail

Ordering Information: *If using Easy Step Roof Stairs or Easy Step Roof Ladder Handrail with your peak handrail:*

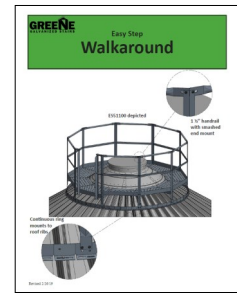
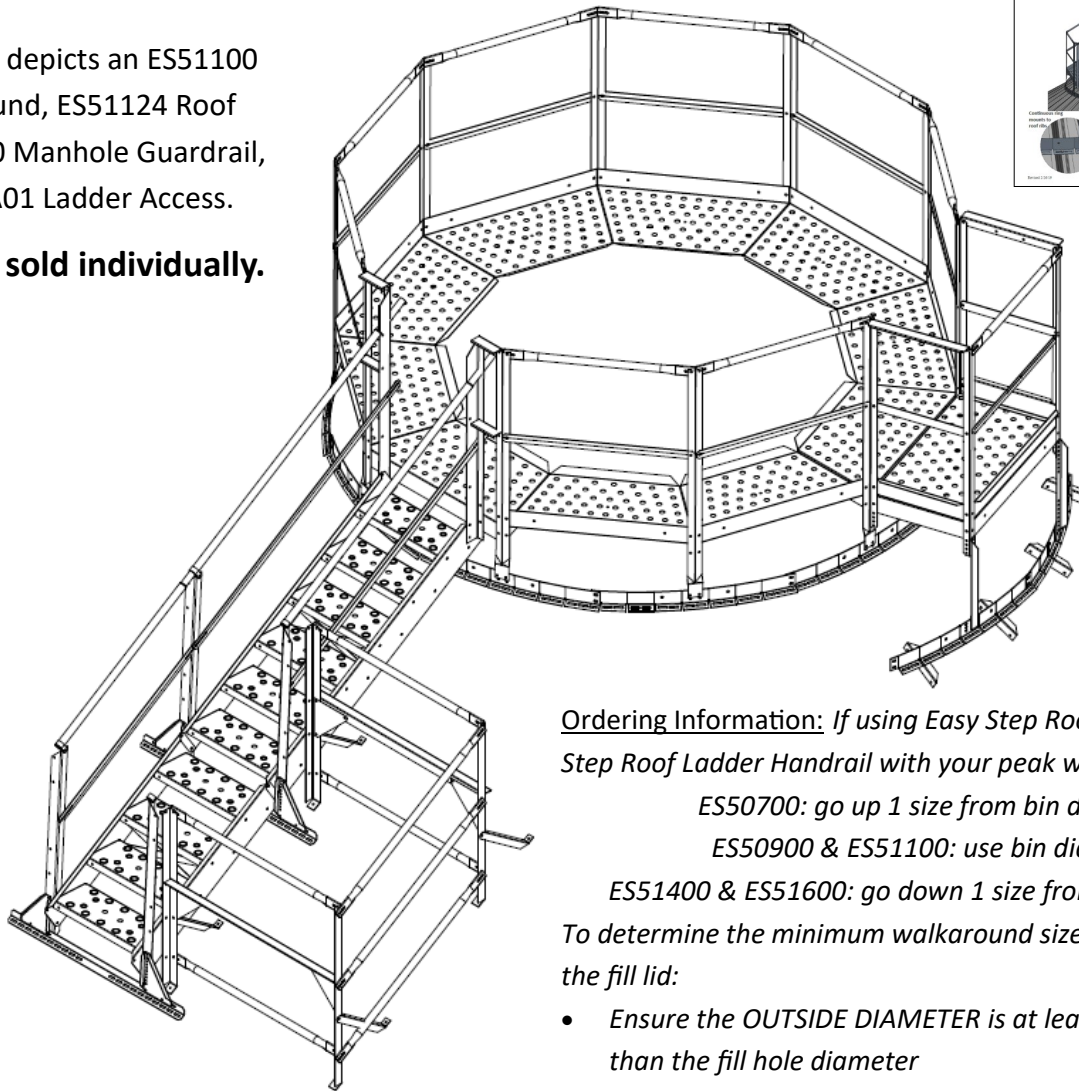
- ES60700: go up 1 size from bin diameter*
- ES60900 & ES61100: use bin diameter*
- ES61300: go down 1 size from bin diameter*

Item	Description	Inside Diameter	Outside Diameter	List Price	Weight
ES60700	Easy Step 7 Section Peak Handrail	81"	7'	\$708.35	110 lbs
ES60900	Easy Step 9 Section Peak Handrail	105"	9'	\$913.03	142 lbs
ES61100	Easy Step 10 Section Peak Handrail	117"	10'	\$1,003.87	155 lbs
ES61300	Easy Step 13 Section Peak Handrail	153"	13'	\$1,262.61	195 lbs
ES60100	Easy Step Single Section (adds 1' diameter to package)		+1' OD	\$102.34	16 lbs
ES60001	Additional Easy Step Peak Handrail Entry Post Package			\$142.59	22 lbs

Easy Step Walkaround

Illustration depicts an ES51100 Walkaround, ES51124 Roof Stair, 51450 Manhole Guardrail, and ESLA01 Ladder Access.

Items are sold individually.



Ordering Information: *If using Easy Step Roof Stairs or Easy Step Roof Ladder Handrail with your peak walkaround:*

ES50700: go up 1 size from bin diameter

ES50900 & ES51100: use bin diameter

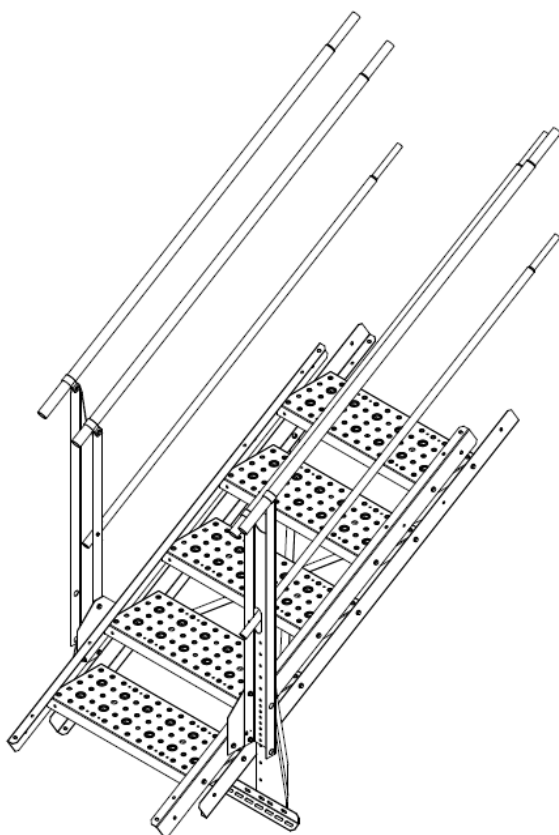
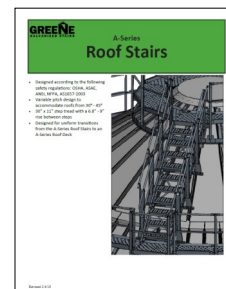
ES51400 & ES51600: go down 1 size from bin diameter.

To determine the minimum walkaround size to allow space for the fill lid:

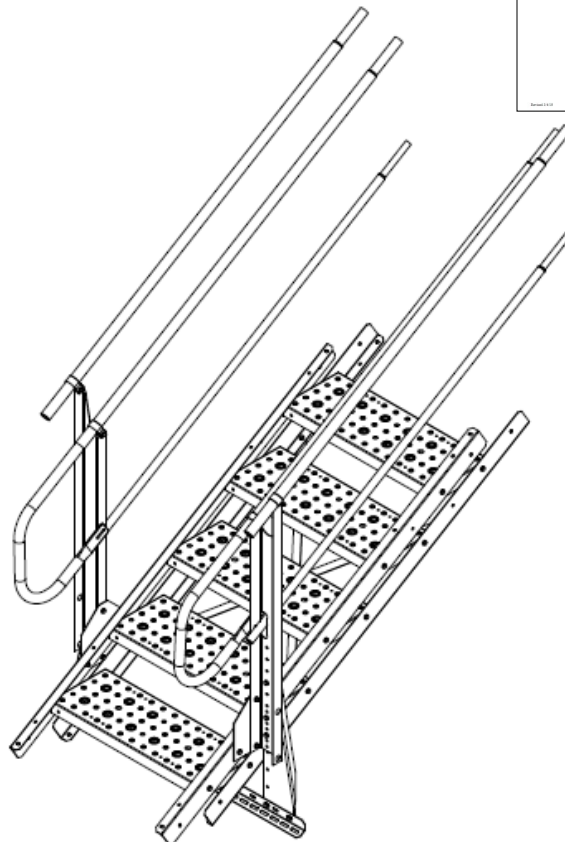
- *Ensure the OUTSIDE DIAMETER is at least 3 times greater than the fill hole diameter*
- *Ensure the INSIDE DIAMETER is at least 3" greater than the fill lid*

Item	Description	List Price	Weight	Inside Diameter	Outside Diameter
ES50700	Easy Step 7' Walkaround	\$1,615.63	225 lbs	38 7/8"	87"
ES50900	Easy Step 9' Walkaround	\$1,722.57	271 lbs	65 1/8"	115"
ES51100	Easy Step 11' Walkaround	\$2,014.65	317 lbs	76 1/2"	125"
ES51200	Easy Step 12' Walkaround	\$2,955.28	430 lbs	103 5/16"	145"
ES51400	Easy Step 14' Walkaround	\$3,581.98	540 lbs	126 1/2"	173"
ES51600	Easy Step 16' Walkaround	\$4,090.24	616 lbs	153"	201"
ES50750	Additional Entry Kit for ES50700	\$215.03	33 lbs		
ES50950	Additional Entry Kit for ES50900	\$215.03	33 lbs		
ES51150	Additional Entry Kit for ES51100	\$215.03	33 lbs		
ES51250	Entry Section for ES 12', 14' or 16' Walkaround	\$88.54	15 lbs		
ESLA01	Ladder Access Landing (Package will work on all Easy Step Walkarounds, but you must add an entry deck if smaller than 12'.)	\$462.27	73 lbs		
51450	Manhole Guardrail, 3 sided	\$401.32	64 lbs		

A-Series Roof Stairs



ART5005 Intermediate Section



ART5005 Shown with end rails from Entry Post Kit

Ordering Information: Variable pitch design from 30°-45°. 1 ½" round handrail with telescopic ends. Adjustable mounting height allows for consistent step transition from lower platform to stairs. Compatible with A-Series Arrest Landings and A-Series Roof Decks for commercial applications. Allows for rest landings on the roof every 18 steps. Rise per step 6.7" at 30° and 9.5" at 45°.

Item	Description	List Price	Weight	Linear Feet of Run
ART5001	Peak Top Step Kit (includes rounded bottom pipes)	\$523.21	106 lbs	2.3
ARD0010	A-Series Stair Landing Top of Flight	\$511.71	104 lbs	
ART5003	A-Series 3 Step Mid Stair Section	\$548.51	111 lbs	3.4
ART5004	A-Series 4 Step Mid Stair Section	\$663.50	134 lbs	4.5
ART5014	A-Series 4 Step Roof Stair Top Section	\$630.15	128 lbs	4.3
ART5005	A-Series 5 Step Mid Stair Section	\$778.49	158 lbs	5.6
ART5010	A-Series Top Post Package	\$175.94	36 lbs	
ARD0001	A-Series Roof Deck Entry Post Kit (includes rounded bottom pipes)	\$206.98	22 lbs	

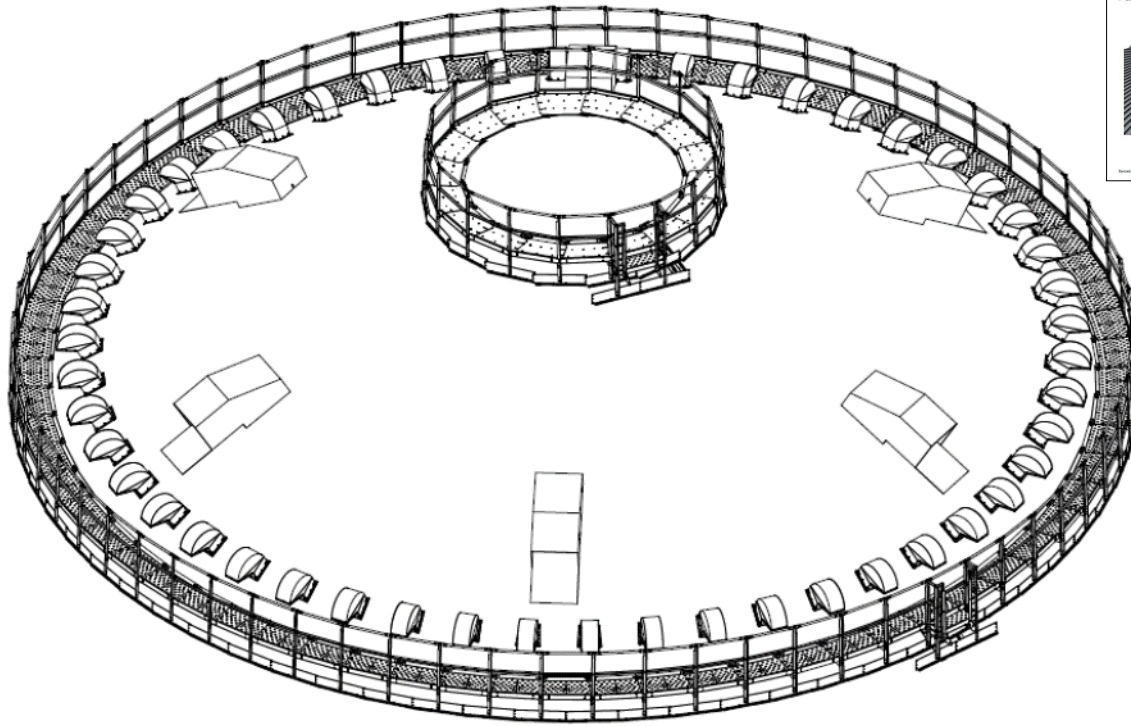
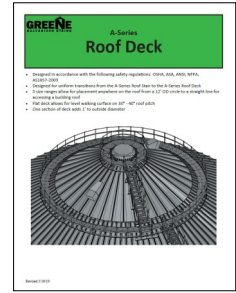
A-Series Roof Stairs

With 12' Walkaround (not flat top)

No Walkaround (not flat bin top)
(Add ARD5010 Top Post)

Bin		Item			Linear Feet		Based on 36 inch	
Diameter	# of Steps	Number	List Price	Weight	of Run	Bin Diameter	fill ring	
							# of steps	
24'	7	ART1007	\$1,178.66	238 lbs	7.6			
27'	9	ART1009	\$1,408.64	285 lbs	9.9	18'	9	
30'	11	ART1011	\$1,842.16	373 lbs	12.1	21'	11	
33'	12	ART1012	\$1,957.15	396 lbs	13.3	24'	12	
36'	14	ART1014	\$2,188.29	443 lbs	15.5	27'	14	
39'	15	ART1015	\$2,505.66	507 lbs	16.6	30'	15	
42'	17	ART1017	\$2,735.64	554 lbs	18.9	33'	17	
45'	19	ART1019	\$2,966.78	600 lbs	21.1	36'	19	
48'	20	ART1020	\$3,284.15	665 lbs	22.3	39'	20	
51'	22	ART1022	\$3,515.29	711 lbs	24.5	42'	22	
54'	23	ART1023	\$3,630.28	735 lbs	25.6	45'	23	
57'	25	ART1025	\$4,062.65	822 lbs	27.9	48'	25	
60'	27	ART1027	\$4,293.78	869 lbs	30.1	51'	27	
63'	28	ART1028	\$4,409.92	892 lbs	31.3	54'	28	
66'	30	ART1030	\$4,842.29	980 lbs	33.5	57'	30	
69'	31	ART1031	\$4,957.28	1003 lbs	34.6	60'	31	
72'	33	ART1033	\$5,188.41	1050 lbs	36.9	63'	33	
75'	35	ART1035	\$5,620.78	1138 lbs	39.1	66'	35	
78'	36	ART1036	\$5,736.92	1161 lbs	40.3	69'	36	
81'	38	ART1038	\$5,966.90	1208 lbs	42.5	72'	38	
84'	39	ART1039	\$6,081.89	1231 lbs	43.6	75'	39	
87'	41	ART1041	\$6,515.41	1319 lbs	45.9	78'	41	
90'	43	ART1043	\$6,745.39	1365 lbs	48.1	81'	43	
93'	44	ART1044	\$6,861.54	1389 lbs	49.3	84'	44	
96'	46	ART1046	\$7,293.90	1476 lbs	51.5	87'	46	
99'	47	ART1047	\$7,408.89	1499 lbs	52.6	90'	47	
102'	49	ART1049	\$7,640.03	1546 lbs	54.9	93'	49	
105'	51	ART1051	\$8,073.54	1634 lbs	57.1	96'	51	
108'	52	ART1052	\$8,188.54	1657 lbs	58.3	99'	52	
111'	54	ART1054	\$8,418.52	1704 lbs	60.5	102'	54	
114'	55	ART1055	\$8,735.89	1768 lbs	61.6	105'	55	
117'	57	ART1057	\$8,967.03	1815 lbs	63.9	108'	57	
120'	59	ART1059	\$9,198.16	1861 lbs	66.1	111'	59	
123'	60	ART1060	\$9,515.54	1926 lbs	67.3	114'	60	
126'	62	ART1062	\$9,742.07	1972 lbs	69.5	117'	62	
129'	63	ART1063	\$9,861.66	1996 lbs	70.6	120'	63	
132'	65	ART1065	\$10,294.03	2083 lbs	72.9	123'	65	
135'	67	ART1067	\$10,525.16	2130 lbs	75.1	126'	67	
138'	68	ART1068	\$10,640.15	2153 lbs	76.3	129'	68	
141'	70	ART1070	\$11,072.52	2241 lbs	78.5	132'	70	
144'	71	ART1071	\$11,188.66	2264 lbs	79.6	135'	71	
147'	73	ART1073	\$11,418.64	2311 lbs	81.9	138'	73	
150'	75	ART1075	\$11,852.16	2399 lbs	84.1	141'	75	
153'	76	ART1076	\$11,967.15	2422 lbs	85.3	144'	76	
156'	78	ART1078	\$12,198.29	2469 lbs	87.5	147'	78	
		ART1079	\$12,313.28	2492 lbs	88.6	150'	79	
		ART1081	\$12,742.02	2580 lbs	90.9	153'	81	
		ART1083	\$12,972.67	2626 lbs	93.1	156'	83	

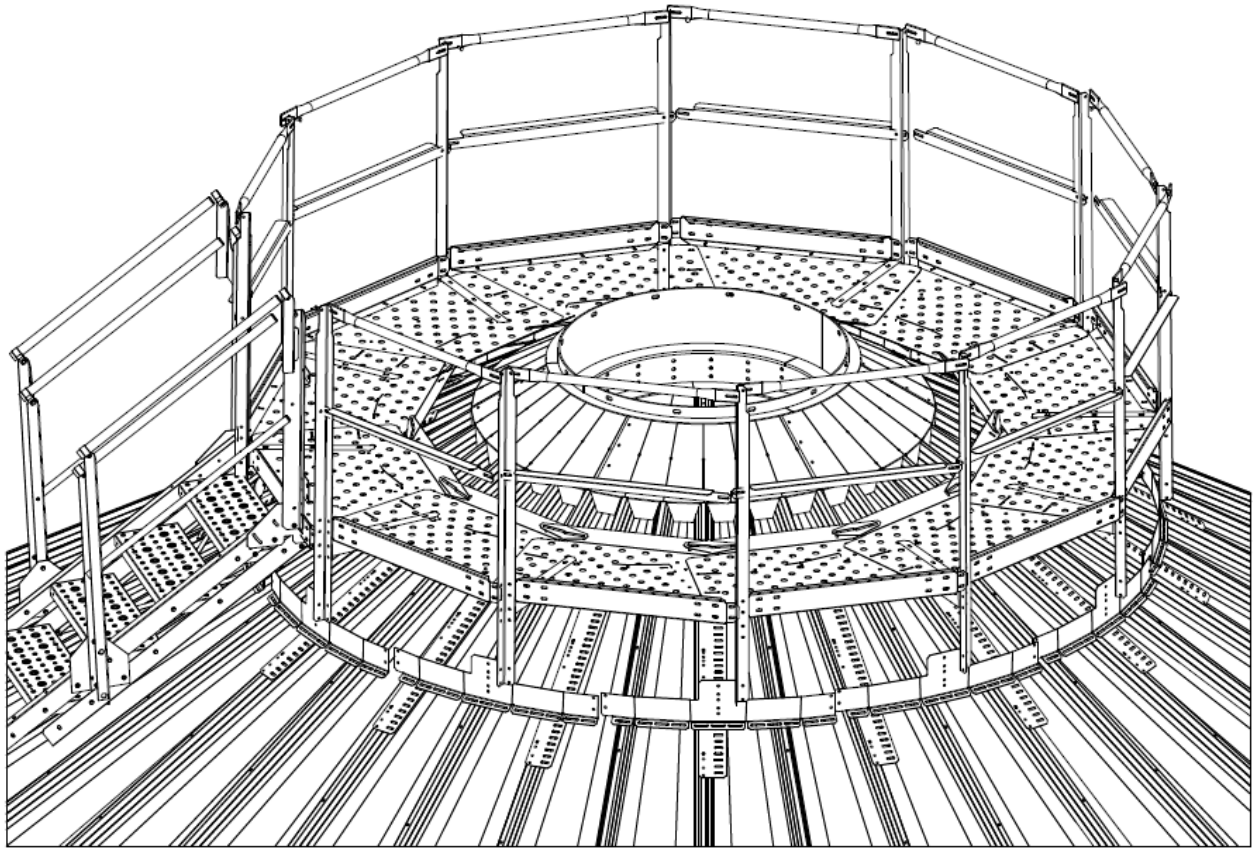
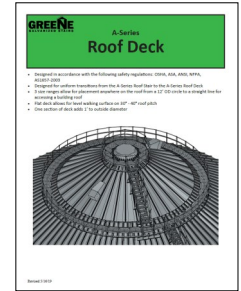
A-Series Roof Deck



- The A-Series Roof Deck is designed with simplified installation in mind and allows for stair transitions that are compliant with applicable standards for safety and reliability.
- Each section is equivalent to 1' of the outside deck diameter. Example: 48' outside diameter deck is 48 Sections of ARD2480.
- Available in 3 different sizes, ranging from 12' diameter up to a straight line deck, such as on a building roof.
- Designed for roof slopes from 30° to 40°.
- Arrest landings can be configured as required by local and regional safety standards to allow for rest landings in the run.
- Another benefit of the rest landings is the ability to change roof stair approach from the eave platform. An eave platform may be at 6 o'clock, but the best approach to the peak may be at 9 o'clock. The lower stair can approach the mid roof deck at 6 o'clock, walk around the deck to 9 o'clock, and proceed up the stairs to the peak of the bin.

Item	Description	List Price	Weight
ARD1236	A-Series Roof Deck 12-36' Diameter	\$280.58	75 lbs
ARD2480	A-Series Roof Deck 24-80' Diameter	\$280.58	75 lbs
ARD2480AL	A-Series Roof Deck 24-80' Diameter Arrest Landing Section	\$415.12	84 lbs
ARD2480AS	A-Series Starter for ARD2480AL	\$592.21	120 lbs
ARD60180	A-Series Roof Deck 60'-Straight Run (180 deg)	\$280.58	75 lbs
ARD-M01	Universal V-Rib Mount (one per section minimum)	\$18.40	7 lbs
ARD-M02	J-Rib Mount (one per section minimum)	\$18.40	8 lbs
ARD0010	A-Series Deck Extension Landing	\$511.71	96 lbs
ARD0001	A-Series Roof Deck Entry Posts	\$206.98	22 lbs
ASG100	A-Series Self Closing Gate, Galvanized	\$252.98	38 lbs

A-Series Walkaround

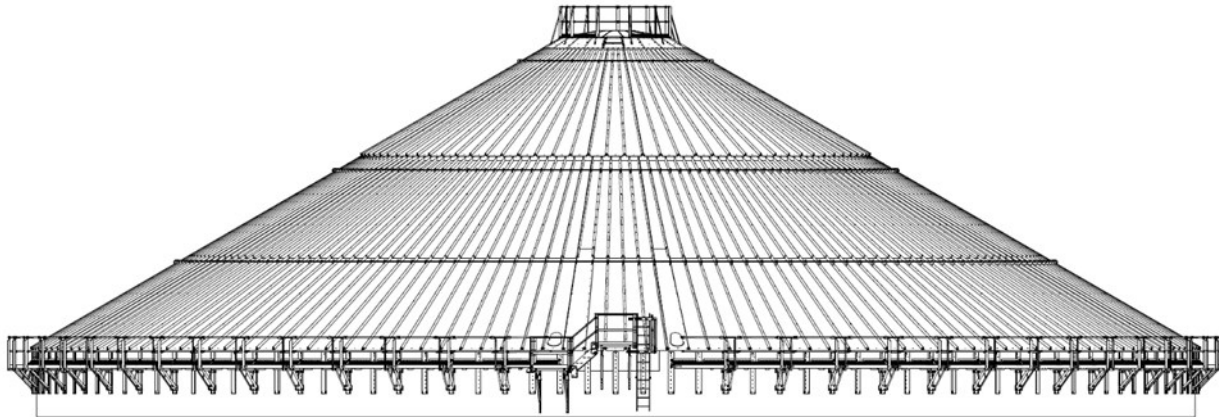
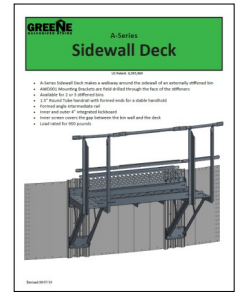


For your ordering convenience, we've put together multiple A-Series Roof Deck packages that are similar to the Easy Step Walkaround packages. See page 34 for system details.

Item	Description	List Price	Weight	Inside Diameter
ARD0900	9' A-Series Walkaround Package	\$2,588.46	595 lbs	40.5"
ARD0900CJ	9' A-Series Walkaround Package, Chief J-Rib Mount	\$2,588.46	595 lbs	40.5"
ARD1200	12' A-Series Walkaround Package	\$3,868.31	1034 lbs	87.5"
ARD1200 CJ	12' A-Series Walkaround Package, Chief J-Rib Mount	\$3,868.31	1034 lbs	87.5"
ARD1400	14' A-Series Walkaround Package	\$4,466.27	1198 lbs	111.5"
ARD1400CJ	14' A-Series Walkaround Package, Chief J-Rib Mount	\$4,466.27	1198 lbs	111.5"
ARD1600	16' A-Series Walkaround Package	\$5,064.22	1362 lbs	135.5"
ARD1600CJ	16' A-Series Walkaround Package, Chief J-Rib Mount	\$5,064.22	1362 lbs	135.5"
ASG100	A-Series Self Closing Gate, Galvanized	\$252.98	38 lbs	

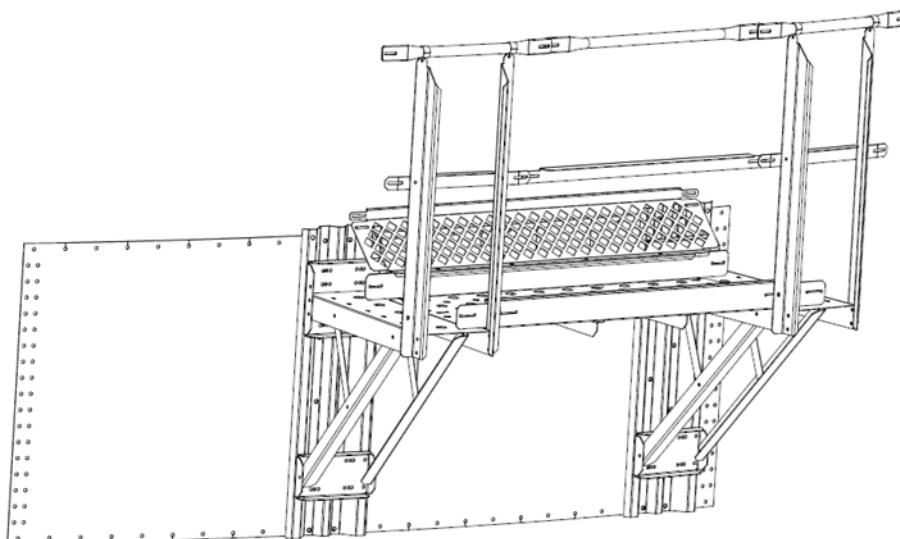
A-Series Sidewall Deck (Eave Walkaround)

US Patent: 8,595,989



Drawing illustrates a 3 stiffened 132' bin with the skip a stiffener deck.

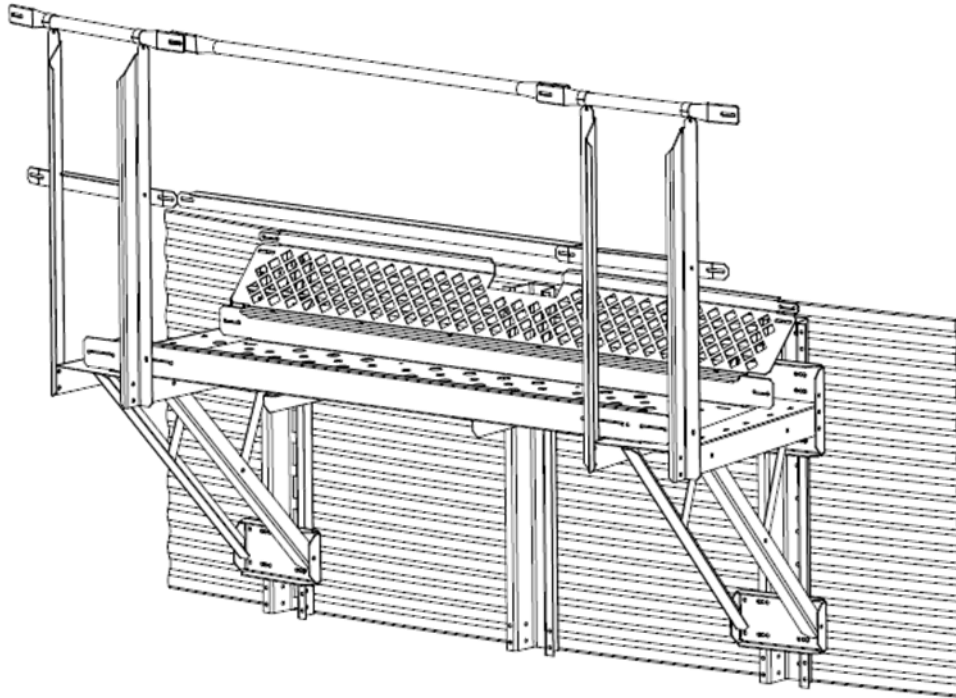
- The Sidewall Deck is available as a walkway option around the sidewall of an externally stiffened bin. It is attached by field drilling through the face of the stiffeners and attaching AWD001 mounting brackets.
- Bins with two stiffeners per sidewall panel require one mount and one deck section per stiffener.
- Bins with three stiffeners per sidewall panel below 30' in diameter require one mount and one deck section per stiffener. Three stiffened bins above 30' may utilize the skip a stiffener configuration where one mount and one deck are used for every other stiffener.
- The Sidewall Deck is load rated for 900 lbs.
- The ES8500 Series platform and ES7744 Transition Stairs are recommended for use at the manhole, roof stairs, and sidewall ladder or stairs.
- For unstiffened bins, see pgs. 4 & 5 utilizing the ladder platform and platform fillers.



Drawing illustrates (1) AWD213 with (2) AWD001 Mounts

A-Series Sidewall Deck (Eave Walkaround)

US Patent: 8,595,989

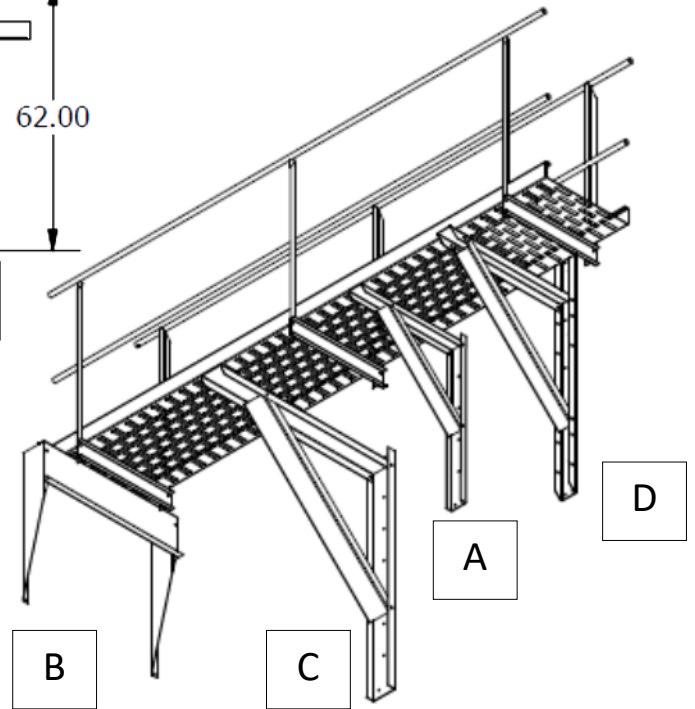
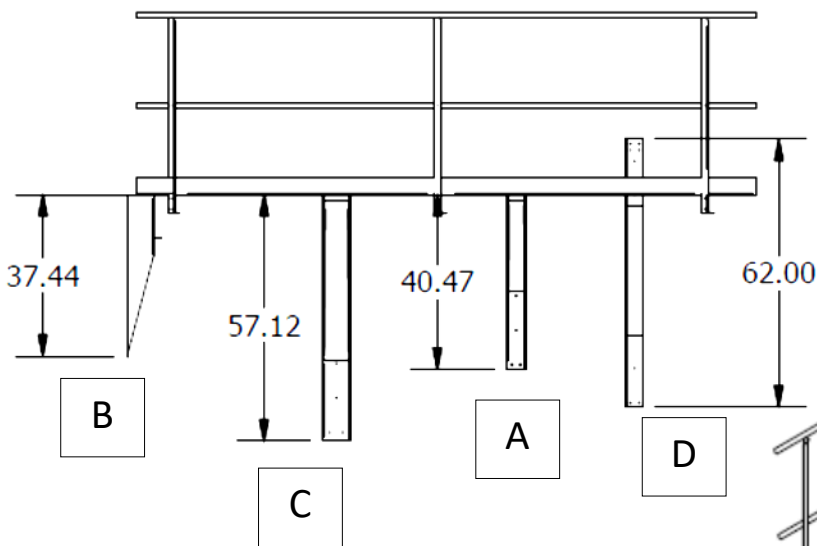
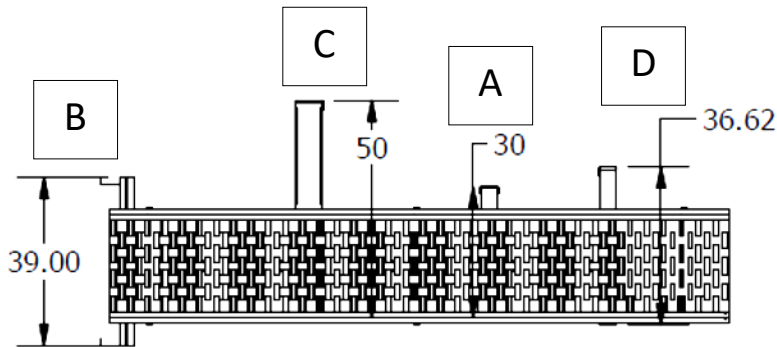
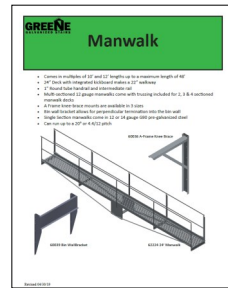


Drawing illustrates (1) AWD302 with (2) AWD001 Mounts

Item	Description	List Price	Weight
AWD201	A-Series 2 Stiff Std Deck 18-30	\$343.82	71 lbs
AWD202	A-Series 2 Stiff Std Deck 30-60	\$320.83	66 lbs
AWD203	A-Series 2 Stiff Std Deck 60<Flat	\$320.83	65 lbs
AWD211	A-Series Chief 2 Stiff Deck CB6-CB10	\$332.35	70 lbs
AWD212	A-Series Chief 2 Stiff Deck CB10-CB20	\$309.33	66 lbs
AWD213	A-Series Chief 2 Stiff Deck CB20-Flat	\$320.83	65 lbs
AWD221	A-Series Behlen 2 Stiff Deck 5M-8M	\$343.82	70 lbs
AWD222	A-Series Behlen 2 Stiff Deck 8M-14M	\$343.82	70 lbs
AWD301	A-Series Std 3 Every Stiffener 18-30	\$218.50	48 lbs
AWD302	A-Series Std 3 Stiffener Skip 90-Flat	\$433.52	94 lbs
AWD304	A-Series Std 3 Stiffener SKP 48-90	\$430.07	93 lbs
AWD306	A-Series Std 3 Stiffener SKP 30-48	\$434.70	95 lbs
AWD311	A-Series Chief 3 Every Stiffener CB6-CB10	\$224.25	49 lbs
AWD312	A-Series Chief 3 Stiffener Skip CB10-CB16	\$443.90	97 lbs
AWD314	A-Series Chief 3 Stiffener Skip CB16-CB24	\$436.97	95 lbs
AWD316	A-Series Chief 3 Stiffener Skip CB24-Flat	\$430.07	93 lbs
AWD321	A-Series Behlen Wall Deck 3 Stiff Every 5M-10M	\$224.25	47 lbs
AWD322	A-Series Behlen Wall Deck 3 Stiff Skp 10M-15M	\$443.90	97 lbs
AWD324	A-Series Behlen Wall Deck 3 Stiff Skp 15M-23M	\$458.85	100 lbs
AWD326	A-Series Behlen Wall Deck 3 Stiff Skp 23M-Flat	\$430.10	93 lbs
AWD001	A-Series Walk Deck Mount	\$293.23	64 lbs

Manwalk Supports

Product Line Card Available

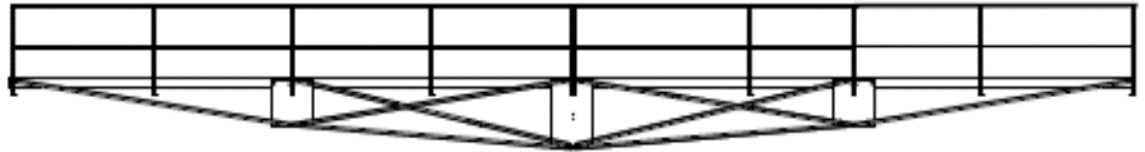


Ordering Information: Use A-Frame Kneebrace mount for manwalks running parallel to the grain bin wall. Use Bin Wall Bracket for manwalks running perpendicular to the grain bin wall.

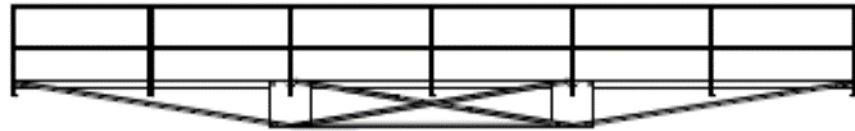
Key	Item	Description	List Price	Weight
A	60036	A-Frame Kneebrace mount for Manwalk	\$181.69	30 lbs
B	60039	Bin Wall Bracket for Manwalk	\$188.59	25 lbs
C	60048	48" A-Frame Kneebrace mount for Manwalk	\$446.17	70 lbs
D	60636	A-Frame Kneebrace mount for Manwalk 40'-48'	\$261.03	41 lbs

Manwalk

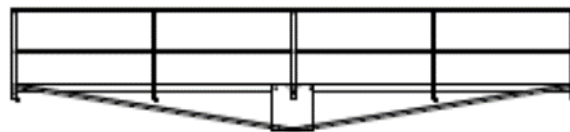
40' - 48'
4 section Manwalk



30' - 36'
3 section Manwalk



20' - 24'
2 section Manwalk



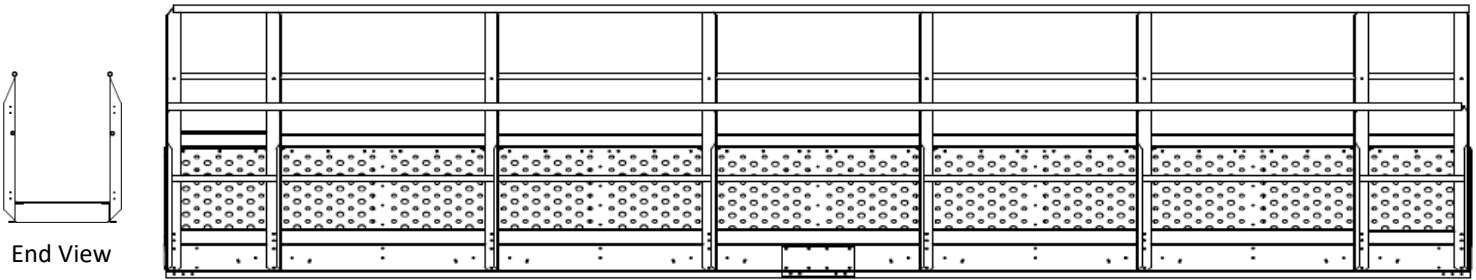
10' - 12'
1 section Manwalk



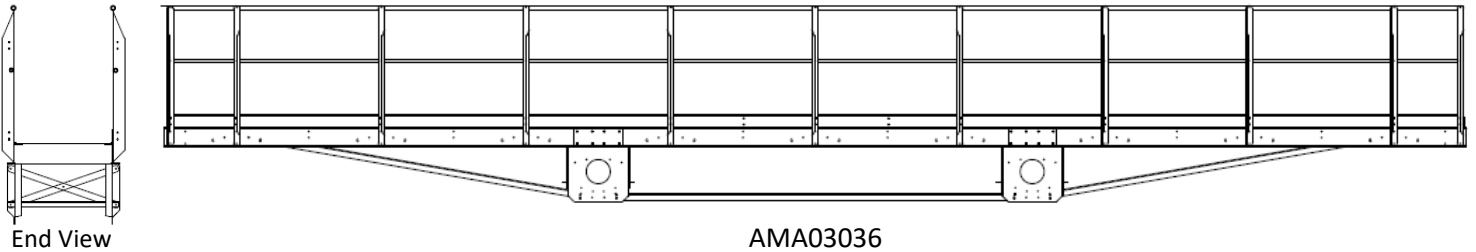
Ordering Information: 14ga Manwalks are not to be used in multiple section assemblies. 14ga Manwalks are load rated at 500 lbs. 12ga Manwalks must be used for any configuration over 12 feet. 12ga Manwalks are load rated at 700 lbs. Manwalk pitch should not exceed 20° or 4.3":12"

Item	Description	List Price	Weight
61410	10' 14ga Manwalk only	\$438.12	93 lbs
61412	12' 14ga Manwalk only	\$517.35	112 lbs
61210	10' 12ga Manwalk only	\$569.21	128 lbs
61212	12' 12ga Manwalk only	\$680.52	154 lbs
62410	10' 14ga Manwalk w/hand & intermediate rails	\$768.14	205 lbs
62412	12' 14ga Manwalk w/hand & intermediate rails	\$925.68	243 lbs
62210	10' 12ga Manwalk w/hand & intermediate rails	\$901.53	240 lbs
62212	12' 12ga Manwalk w/hand & intermediate rails	\$1,086.67	285 lbs
62220	20' 12ga Manwalk w/hand & intermediate rails	\$2,119.29	551 lbs
62224	24' 12ga Manwalk w/hand & intermediate rails	\$2,541.31	641 lbs
62230	30' 12ga Manwalk w/hand & intermediate rails	\$3,349.70	867 lbs
62232	32' 12ga Manwalk w/hand & intermediate rails	\$3,693.52	921 lbs
62234	34' 12ga Manwalk w/hand & intermediate rails	\$3,878.66	966 lbs
62236	36' 12ga Manwalk w/hand & intermediate rails	\$4,063.80	1011 lbs
62240	40' 12ga Manwalk w/hand & intermediate rails	\$4,933.13	1067 lbs
62244	44' 12ga Manwalk w/hand & intermediate rails	\$5,210.26	1114 lbs
62248	48' 12ga Manwalk w/hand & intermediate rails	\$5,585.13	1194 lbs
60010	10' Handrail Kit (Parts for handrail kit for Manwalk only)	\$341.52	70 lbs
60012	12' Handrail Kit (Parts for handrail kit for Manwalk only)	\$419.72	85 lbs
98043	Cut in Hatch (Chief Manhole Package Complete)	\$367.97	13 lbs

A-Series Manwalk



AMA03024

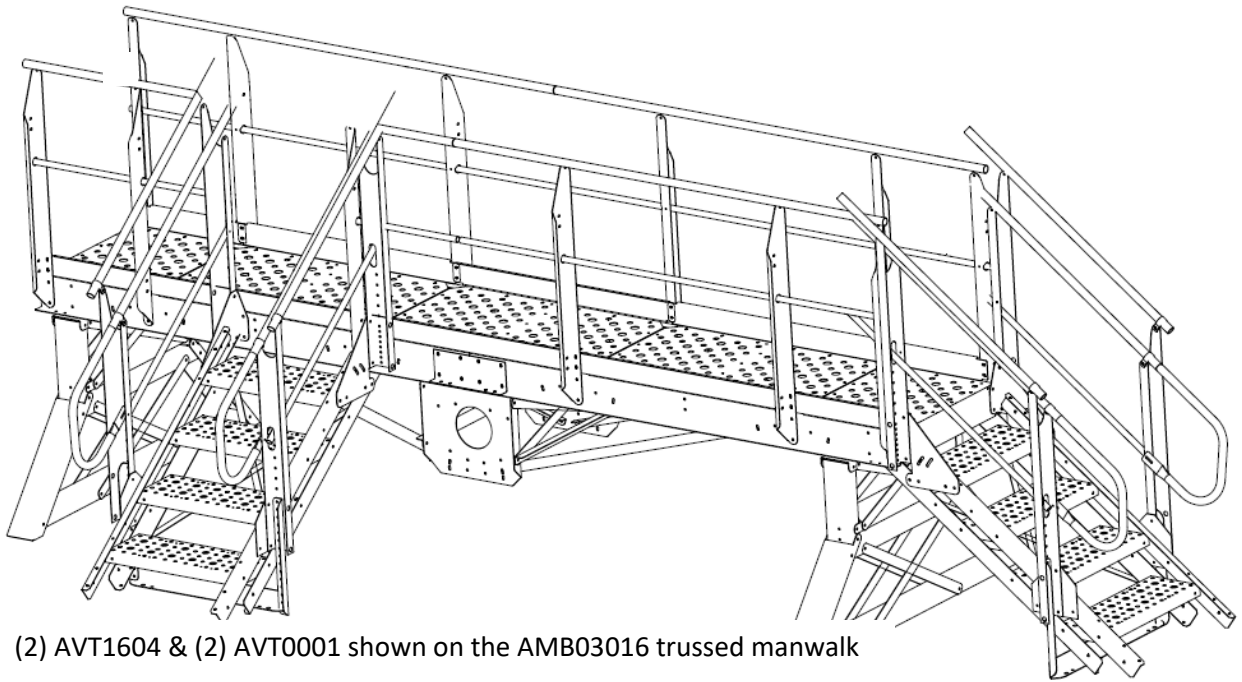


AMA03036

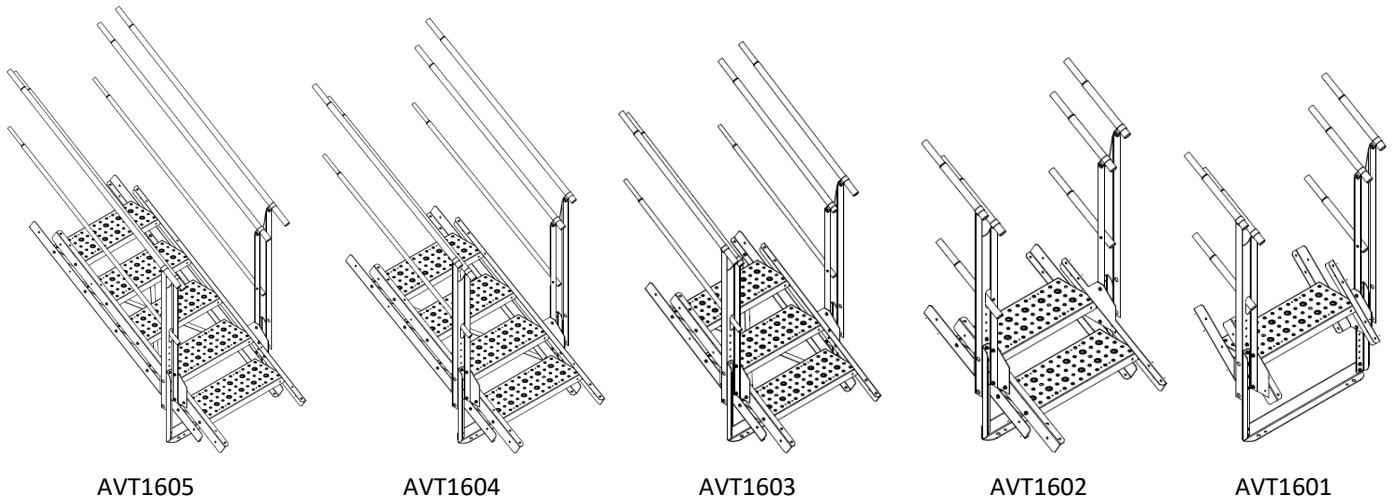
Ordering Information: *The A-Series Manwalk system is designed to support 60 psf in accordance with ASCE 7-2010, or 150 lbs per linear foot. Manwalk prefixed with AMA meet the minimum 60 psf standard. Manwalk prefixed with AMB are considered heavy duty and are used for greater load capacity. Walkway width is 30", and the overall width is 37.5"*

Item	Length	Description	List Price	Weight
AMA03004	4'	4' A-Series Manwalk	\$ 918.78	186 lbs
AMA03008	8'	8' A-Series Manwalk	\$ 1,329.40	269 lbs
AMA03012	12'	12' A-Series Manwalk	\$ 1,887.01	382 lbs
AMA03016	16'	16' A-Series Manwalk	\$ 2,525.21	511 lbs
AMB03016	16'	16' A-Series Manwalk, Trussed	\$ 2,876.15	582 lbs
AMA03020	20'	20' A-Series Manwalk	\$ 3,083.15	624 lbs
AMB03020	20'	20' A-Series Manwalk, Trussed	\$ 3,532.54	715 lbs
AMA03024	24'	24' A-Series Manwalk	\$ 3,642.05	737 lbs
AMB03024	24'	24' A-Series Manwalk, Trussed	\$ 4,259.28	862 lbs
AMA03028	28'	28' A-Series Manwalk	\$ 4,279.15	866 lbs
AMB03028	28'	28' A-Series Manwalk, Trussed	\$ 5,129.00	1038 lbs
AMA03032	32'	32' A-Series Manwalk, Trussed	\$ 5,727.00	1159 lbs
AMA03036	36'	36' A-Series Manwalk, Trussed	\$ 6,399.75	1295 lbs

A-Series Variable Stairs



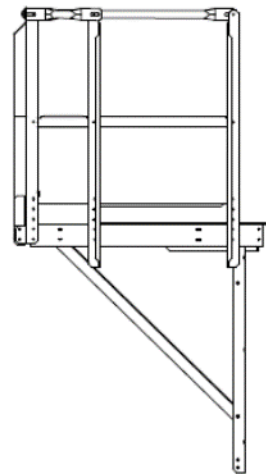
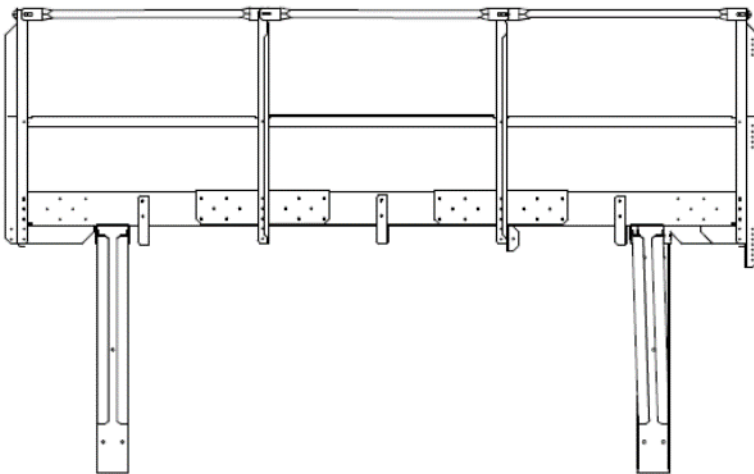
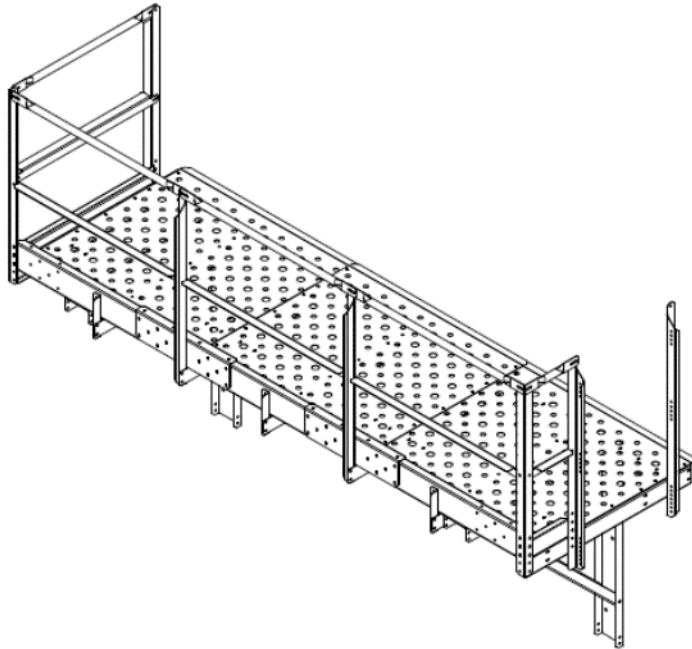
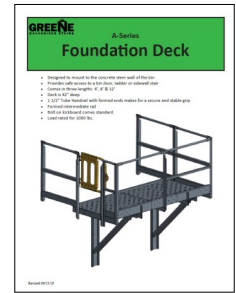
(2) AVT1604 & (2) AVT0001 shown on the AMB03016 trussed manwalk



Ordering Information: Variable stairs are designed to run 17 steps unsupported, with a load capacity of 500 lbs. At a 30° pitch, the step rise is 6.75" and the step run is 11.69". At a 45° pitch, the step rise is 9.5" and the step run is 9.5". Order (1) Manwalk entry kit per stair run.

Item	Description	List Price	Weight
AVT1601	A-Series 1 Step Variable Stair Section	\$ 331.18	67 lbs
AVT1602	A-Series 2 Step Variable Stair Section	\$ 439.27	89 lbs
AVT1603	A-Series 3 Step Variable Stair Section	\$ 548.51	111 lbs
AVT1604	A-Series 4 Step Variable Stair Section	\$ 657.75	133 lbs
AVT1605	A-Series 5 Step Variable Stair Section	\$ 772.74	156 lbs
AVT0001	A-Series Variable Stair Manwalk Entry Kit (bottom round rails included)	\$ 190.89	39 lbs
ASG100	A-Series Self Closing Gate, Galvanized	\$252.98	38 lbs

A-Series Foundation Deck

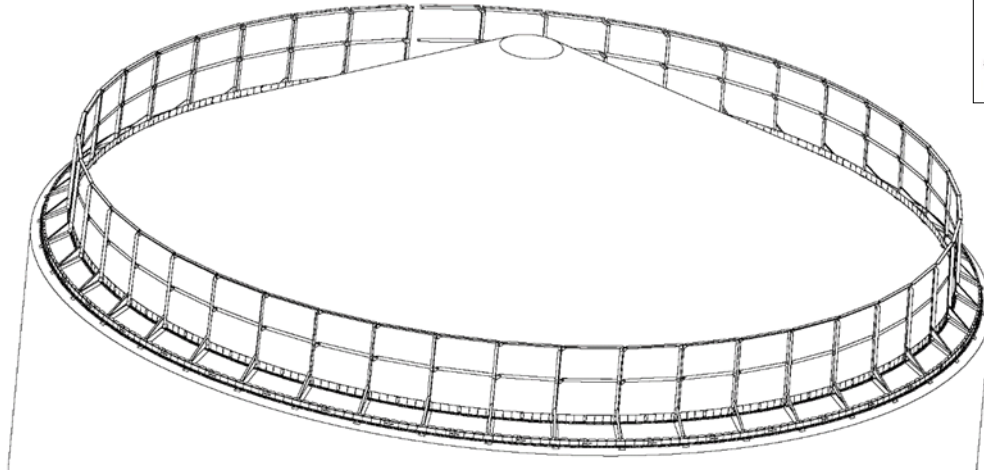
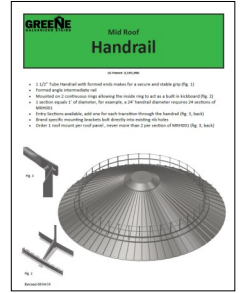


Ordering Information: *Designed for mounting to the concrete stem wall of the bin for access to the bin door, a ladder or a sidewall stair, particularly over tunnels. Ordered as a 3 section, 2 section or a single section. Load rated at 1000 lbs.*

Item	Description	List Price	Weight	Tunnel Width
AFD003	3 Section Foundation Deck 144"	\$3,219.76	600 lbs	99"
AFD002	2 Section Foundation Deck 96"	\$2,704.60	504 lbs	53"
AFD001	1 Section Foundation Deck 48"	\$2,042.25	380 lbs	17"

MRH Roof Handrail

US Patent 8,595,990



How to Calculate Parts Needed for Mid-Roof Handrail:

Number of Sections: One Mid-Roof Handrail section (MRH001) for each foot of desired diameter.

Number of Roof Mounts: One Roof Mount (MRV_1) for each roof panel covered by the Mid-Roof Handrail. The minimum number of mounts needed is 1 per section of MRH001.

Number of Entries: One entry section (MRHE01) for each instance that you need to pass through the Mid-Roof Handrail.

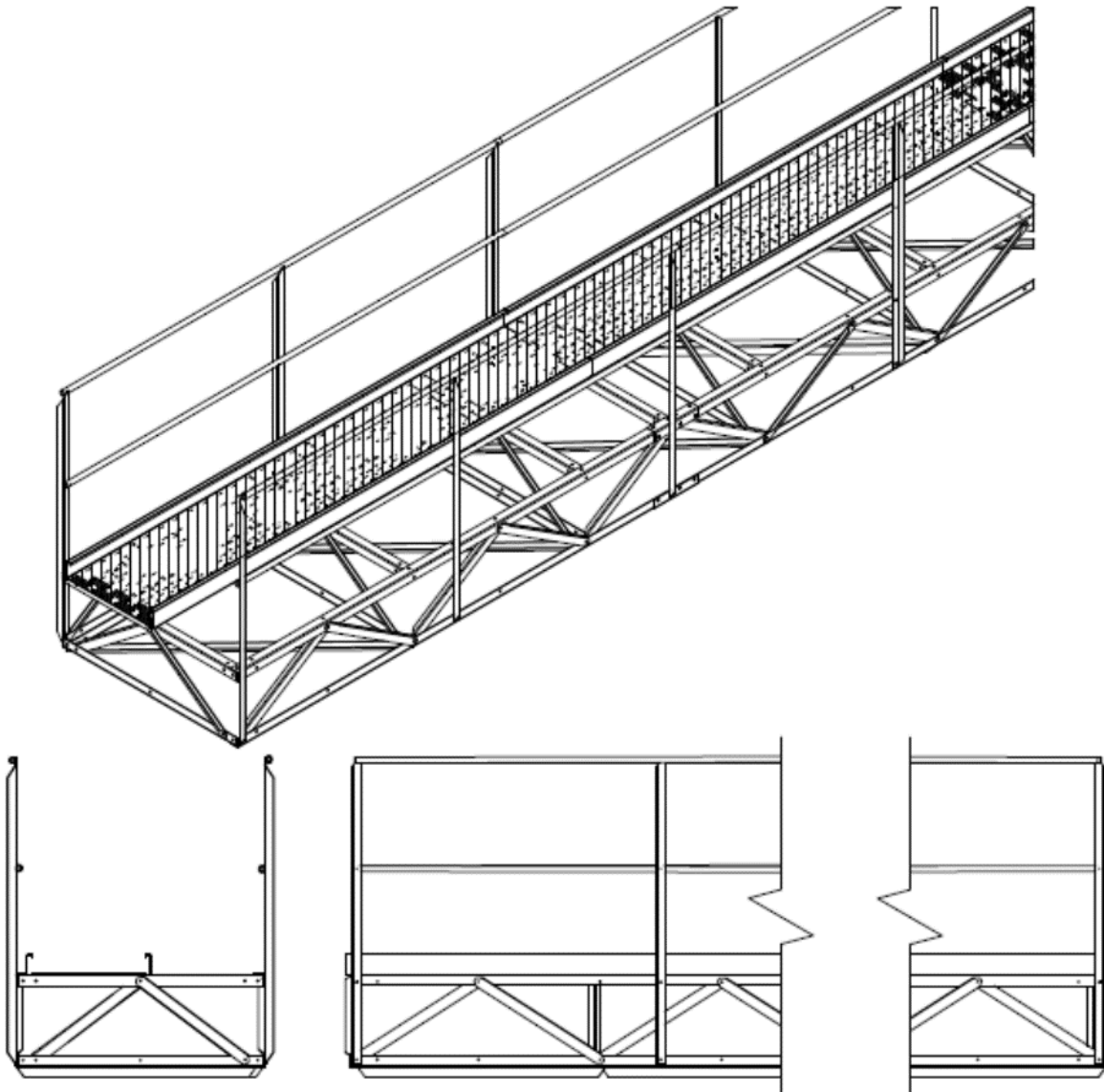
24" of roof run must be allowed outside of the handrail to allow for mounting hardware, and 36" off of the diameter.

Example: If the handrail will be placed halfway down the roof of a 60' diameter bin, the handrail diameter (inside diameter) will be 30', you order Quantity 30 MRH001. If there are 60 roof panels at the Mid-Roof Handrail roof location, order Quantity 60 MRV_1. Indicate the bin manufacturer when ordering because the mounts are brand specific to correspond to the pre-punched roof rib holes. Typically, at least 1 entry section will be required for each system.

Please call for assistance with any configuration questions.

Item	Description	List Price	Weight
MRH001	Mid Roof Handrail	\$154.09	32 lbs
MRHE01	MRH Entry Section	\$297.83	56 lbs
MRVB1	Behlen Mount Foot	\$8.05	3 lbs
MRVC1	Chief Mount Foot	\$8.05	2 lbs
MRVS1	Sukup Mount Foot	\$8.05	3 lbs
MRVX1	Sioux Steel Mount Foot	\$8.05	3 lbs
MRVK1	Brock Mount Foot	\$8.05	3 lbs
MRVT1	Twister Mount Foot	\$8.05	3 lbs

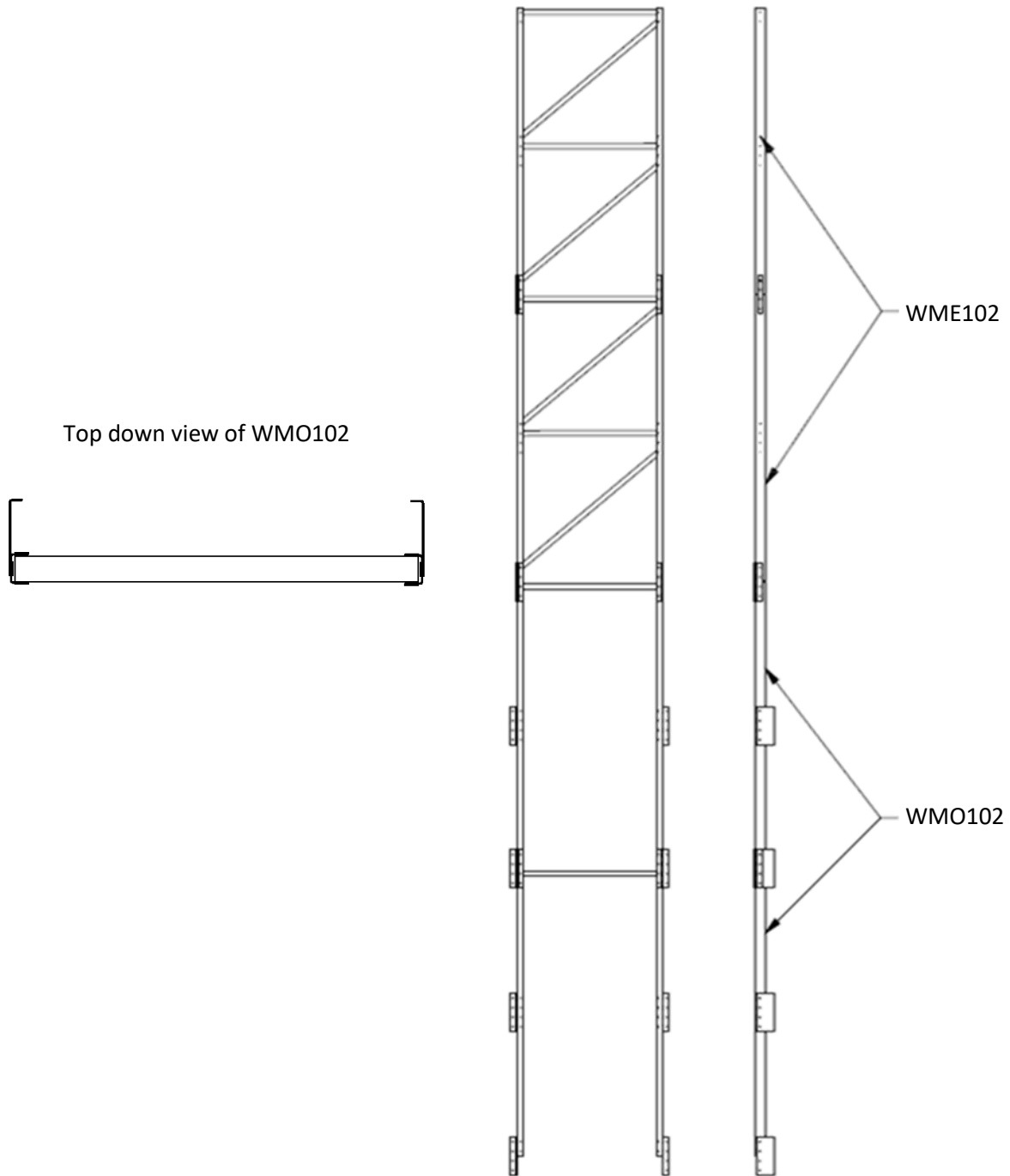
Conveyor Support



Ordering Information: Manwalk pitch should not exceed 20° or 4.3":12". For steeper inclines, specify VP for variable pitch stair degree to 45°, or RS for roof stairs to 35°. Example: 69420VP or 69420RS. No extra charge for either option. The manwalk deck of the conveyor support consumes 26" of the width of the support. 48" support has 22" of conveyor space, 42" has 16" of conveyor space, 36" has 10" of conveyor space, and the 28" is for Bridged Manwalk. Allow 2" clearance from outside to kickboard on Manwalk.

Item	Description	List	
		Price	Weight
69280	10' 28"x17" Bridged Manwalk/Handrails	\$1,987.05	302 lbs
69360	10' 36"x17" Conveyor Support/Handrails	\$2,072.14	314 lbs
69420	10' 42"x17" Conveyor Support/Handrails	\$2,137.69	324 lbs
69480	10' 48"x17" Conveyor Support/Handrails	\$2,230.83	338 lbs
69882	10' 48"x17" Conveyor Support with 8ga siderails, double brace	\$2,610.30	403 lbs
64420	10' 42"x27" Conveyor Support/Handrails	\$2,252.68	342 lbs
64480	10' 48"x27" Conveyor Support/Handrails	\$2,306.73	350 lbs
64485	10' 48"x27" Conveyor Support with 8ga siderails	\$2,349.27	370 lbs
64882	10' 48"x27" Conveyor Support with 8ga siderails, double brace	\$2,696.55	422 lbs

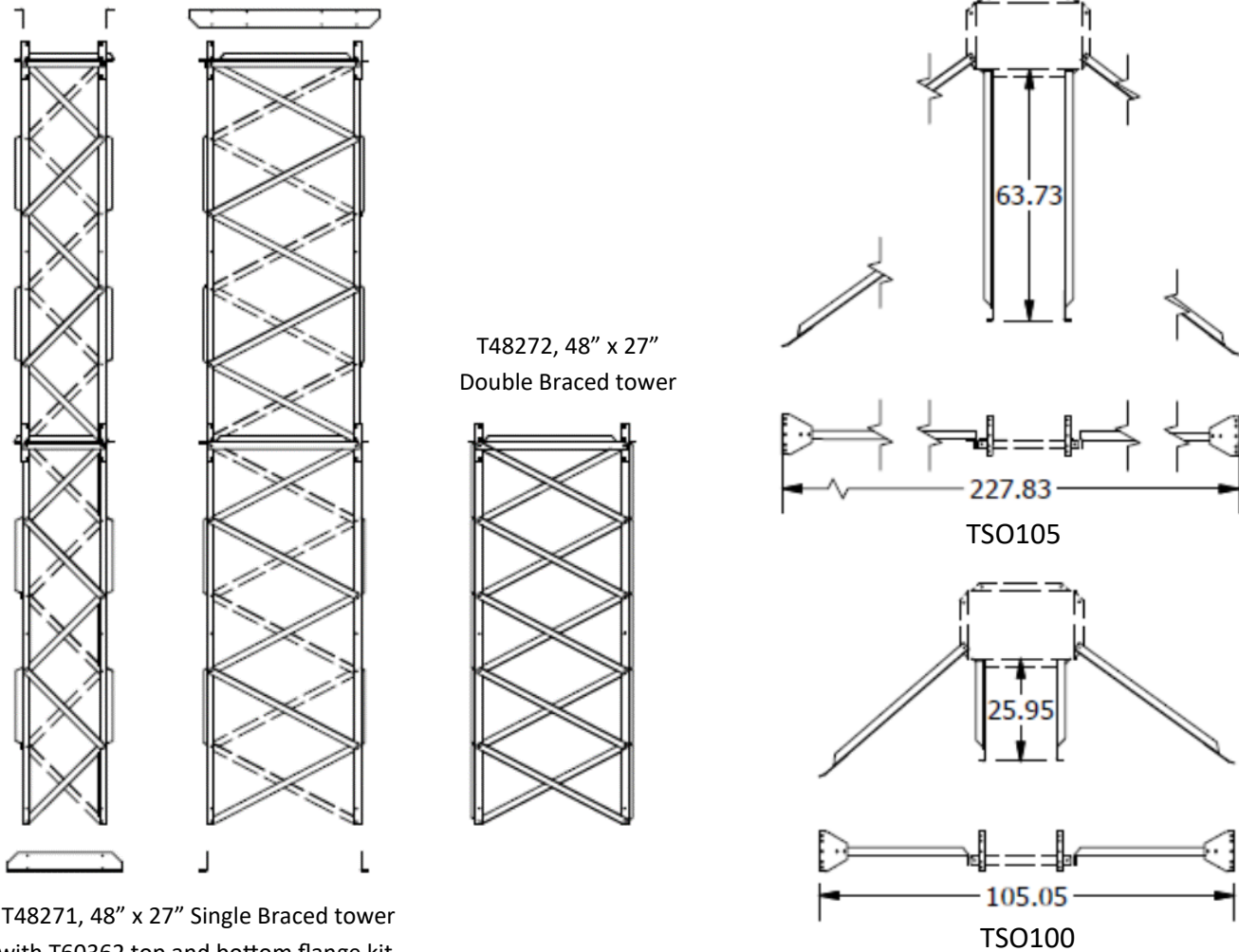
Conveyor Support Wall Mount Towers



Ordering Information: Use WMO102 from the eave to the concrete pad. Use WME102 for any height needed above the eave. Overall width of tower is 61" with 56" between the siderails. Clearance from bin wall is 8", the outside of the tower is 12" from the bin wall.

Item	Description	List Price	Weight
WME102	10' Extension for Wall Mounted Support for 2 stiffener tank	\$1,399.45	212 lbs
WMO102	10' Bin Wall Mounted Support for 2 stiffener tank	\$1,095.87	168 lbs

Box Frame Support Towers

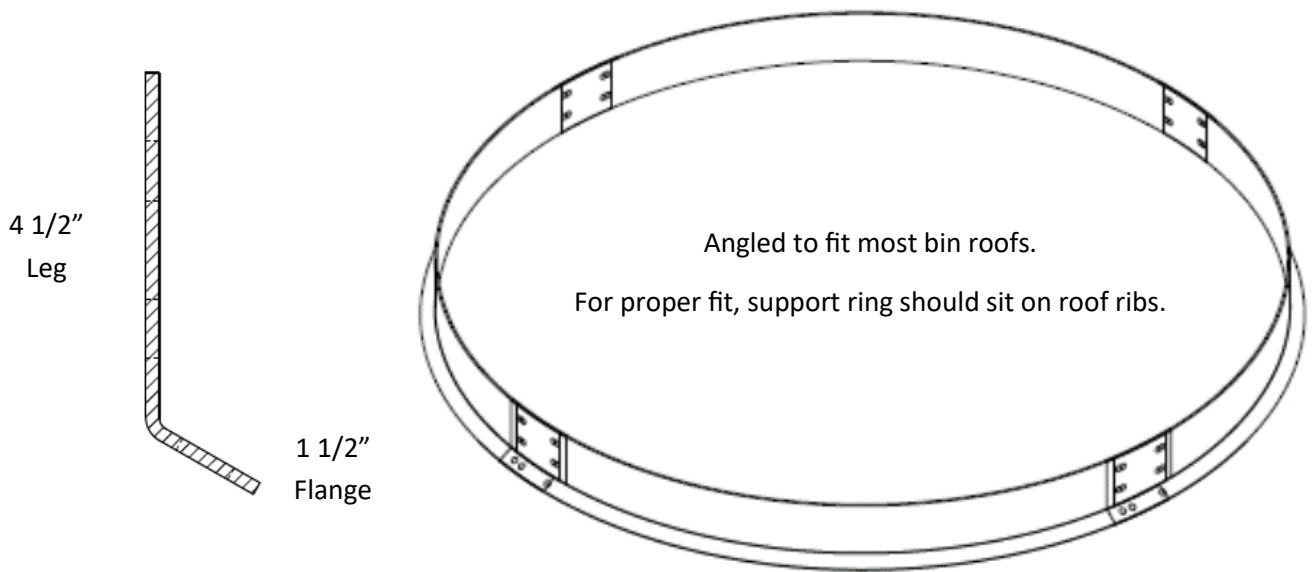


T48271, 48" x 27" Single Braced tower with T60362 top and bottom flange kit.

Ordering Information: *Not to be used free standing, the box frame support towers require lateral bracing every 20'. The concrete pad footing should be below the frost line.*

Item	Description	List Price	Weight
T17171	10' 17"x17" Tower, single braced	\$1,155.66	175 lbs
T17172	10' 17"x17" Tower, double braced	\$1,383.35	210 lbs
T27171	10' 27"x17" Tower, single braced	\$1,180.96	179 lbs
T27172	10' 27"x17" Tower, double braced	\$1,690.37	256 lbs
T48271	10' 48"x27" Tower, single braced	\$1,555.83	236 lbs
T48272	10' 48"x27" Tower, double braced	\$2,134.24	336 lbs
T48278	10' 48"x27" 8 ga Tower, single braced	\$1,690.37	256 lbs
T82782	10' 48"x27" 8 ga Tower, double braced	\$2,511.41	380 lbs
T48301	48" Top 30" Bottom 17" Tower	\$450.77	68 lbs
T60362	60" Top 36" Bottom 27" Tower	\$540.46	82 lbs
TSO100	Tower Stand Off close 26"	\$100.04	15 lbs
TSO105	Tower Stand Off 63"	\$474.91	92 lbs
T36361	10' 36"x36" Tower, single braced (for use with air systems)	\$1,555.83	236 lbs
T00363	Bottom 36" x 36" Tower	\$251.83	38 lbs

Support Rings



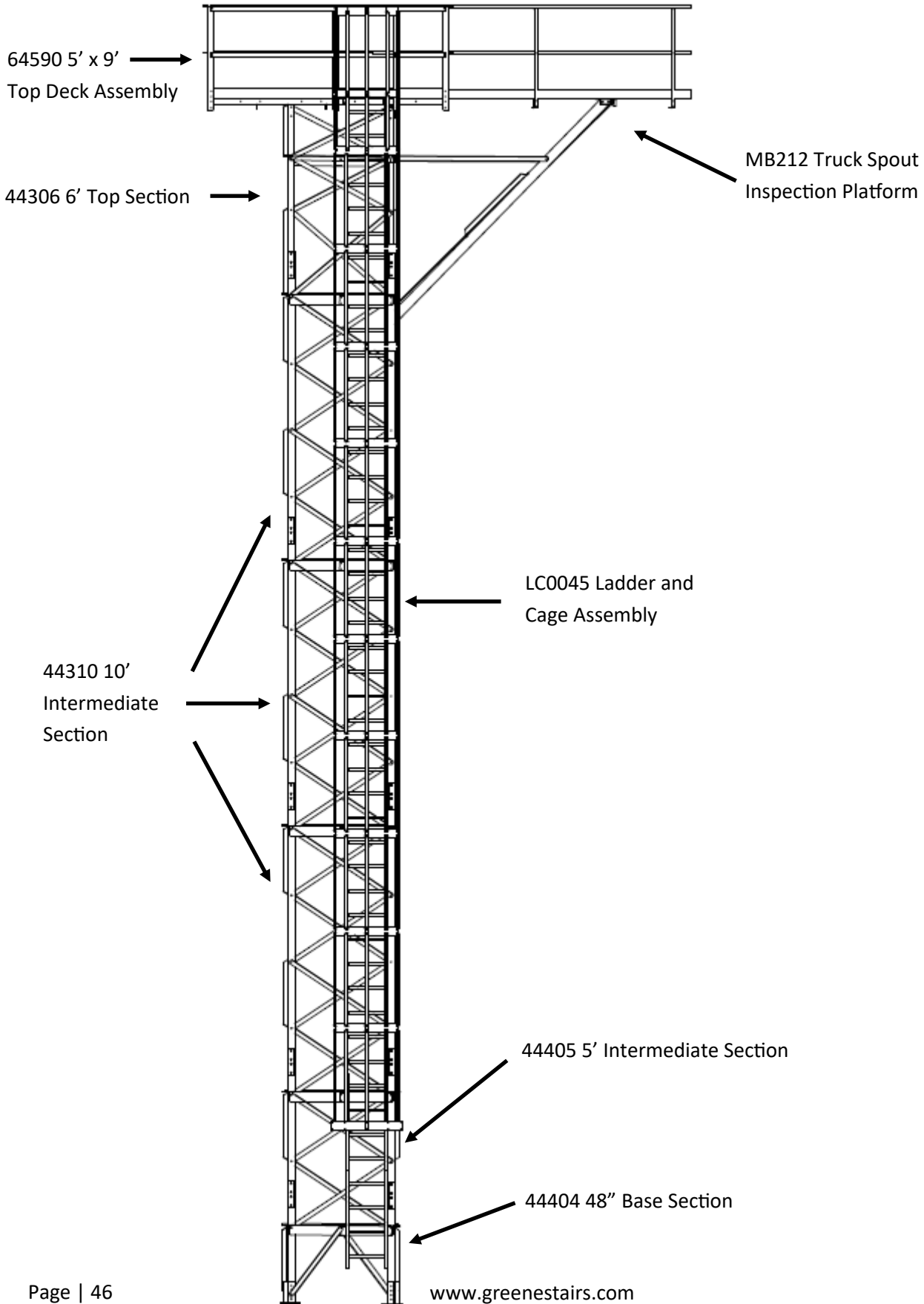
Item	Description	List Price	Weight
SR8050	50" Support Ring 3 section	\$339.22	51 lbs
SR8066	66" Support Ring 4 section	\$451.92	68 lbs
SR8083	83" Support Ring 5 section	\$564.61	85 lbs
SR8100	100" Support Ring 6 section	\$678.45	102 lbs
A1222	10' 2" x 2" x 12ga Galvanized Angle GR	\$80.95	15 lbs
A1022	10' 2" x 2" x 10ga Galvanized Angle YW	\$91.07	17 lbs
A0822	10' 2" x 2" x 8ga Galvanized Angle OR	\$126.49	23 lbs

Tools

Item	Description	NET PRICE
NST01	Nutsert Tool	\$88.54
NS100	Nutsert 100pk	\$46.00
NUTNP	Nutsert Mandrel	\$13.80
HF99736	Tubing Roller Round Stock: 3/4 in. - 2 in. Available from Harbor Freight	\$264.48
29993	Ridgid Hand Deburrer Available from Zoro	\$97.74

Loop End Towers, 4' x 4'

64451 45' Loop Tower, 64590 5' x 9' Top Deck, MB212 Truck Spout and LC0045 Ladder and Cage depicted.



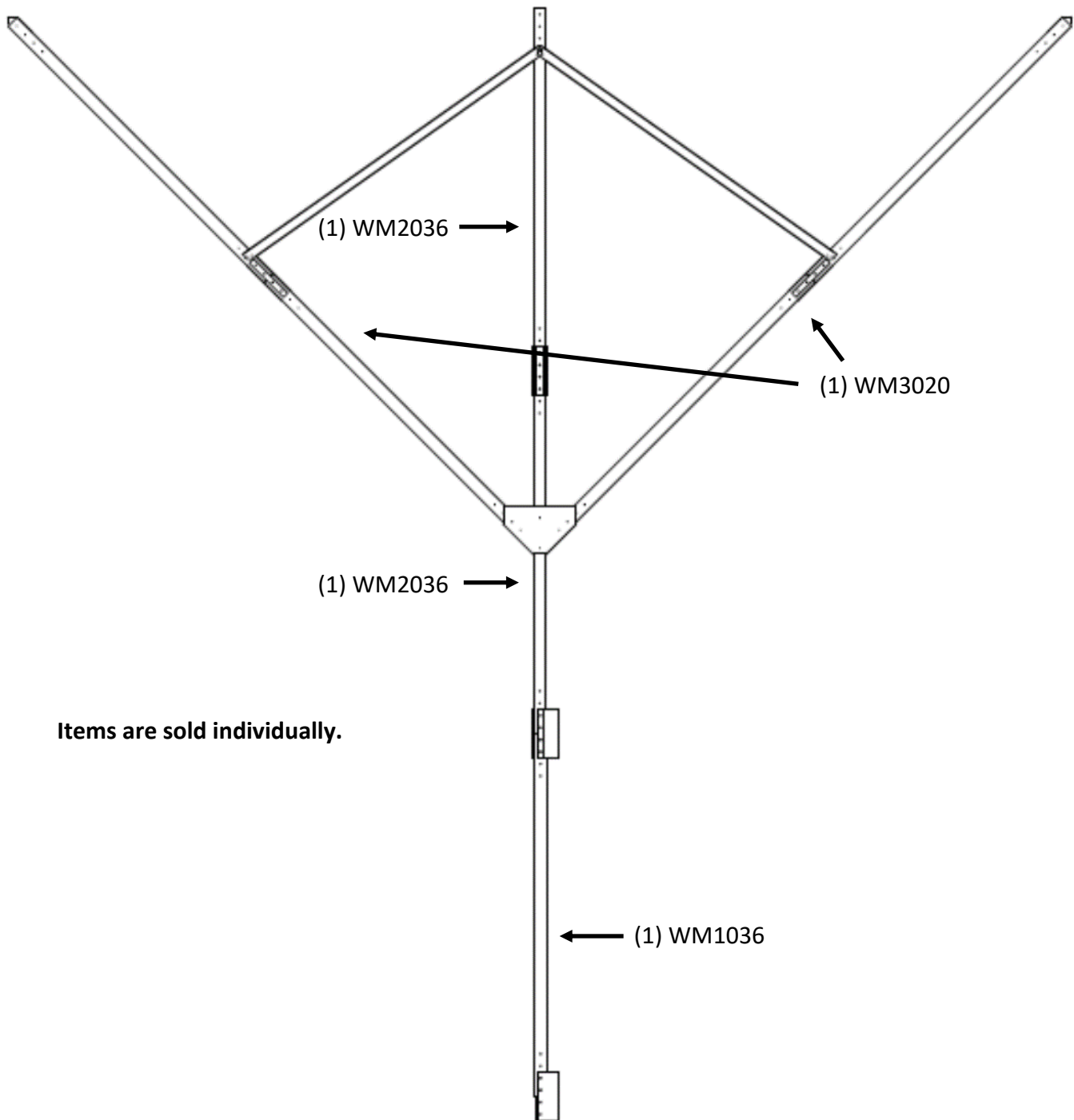
Loop End Towers

Part #	Description								Price			Price	
		43306 72" 3/16" Top	44304 40" 3/16" Top	44310 120" 3/16" Int.	44404 48" 1/4" Base	44405 60" 1/4" Int.	44410 120" 1/4" Leg	44504 48" 5/16" Base		Weight Lbs	Ladder & Cage		Weight Lbs
64201	20' Loop Tower	1		1	1				820	\$4,626.10	LC0020	200	\$1,544.33
64221	22.5' Loop Tower		1	1	1	1			992	\$5,709.75	LC0025	230	\$1,734.20
64251	25' Loop Tower	1		1	1	1			1035	\$5,934.00			
64271	27.5' Loop Tower		1	2	1				1107	\$6,291.65	LC0030	250	\$2,115.84
64301	30' Loop Tower	1		2	1				1150	\$6,375.12			
64321	32.5' Loop Tower		1	2	1	1			1322	\$7,012.17	LC0035	380	\$2,440.12
64351	35' Loop Tower	1		2	1	1			1365	\$7,499.74			
64371	37.5' Loop Tower		1	3	1				1437	\$7,959.70	LC0040	410	\$2,688.50
64401	40' Loop Tower	1		3	1				1480	\$8,272.48			
64421	42.5' Loop Tower		1	3	1	1			1652	\$9,036.02	LC0045	455	\$3,015.07
64451	45' Loop Tower	1		3	1	1			1695	\$9,523.59			
64471	47.5' Loop Tower		1	3	1		1		1797	\$9,937.55	LC0050	470	\$3,261.16
64501	50' Loop Tower	1		3	1		1		1840	\$10,423.97			
64521	52.5' Loop Tower		1	3		1	1	1	2017	\$11,342.75	LC0055	500	\$3,584.28
64551	55' Loop Tower	1		3		1	1	1	2060	\$11,829.16			
64571*	57.5' Loop Tower		1	3			2	1	2162	\$12,460.47	LC0060	550	\$3,831.51
64601*	60' Loop Tower	1		3			2	1	2205	\$12,727.25			
End Tower Sections													
43306	72" Loop Tower Top Section, 3/16" Leg								175	\$911.95			
44304	40" Loop Tower Top Section, 3/16" Leg								132	\$687.70			
44310	120" Loop Tower Intermediate Section, 3/16" Leg								330	\$1,719.12			
44405	60" Loop Tower Intermediate Section, 1/4" Leg								215	\$1,137.26			
44410	120" Loop Tower Intermediate Section, 1/4" Leg								360	\$1,976.70			
44404	48" Loop Tower Base Section, 1/4" Leg								315	\$2,165.29			
44504	48" Loop Tower Base Section, 5/16" Leg								320	\$2,428.62			
Other Tower Accessories													
64-AT002	Anchor Template Included with tower order								15				
64230	Ladder Platform (Includes additional 5' ladder)								231	\$1,113.12			
64550	5 x 5 Top Deck								350	\$1,737.52			
64590	5 x 9 Top Deck								540	\$3,301.40			
MB212	Manwalk and Supports to service truck load spout								407	\$1,693.82			
LC0010	10' Ladder and Cage (no top or flare)								100	\$689.95			

*57.5' and 60' Loop Towers are ONLY to be used with a 10" or smaller loop tube.

Wall Mount Loop Supports

(Not for Manwalk or Conveyor Support)



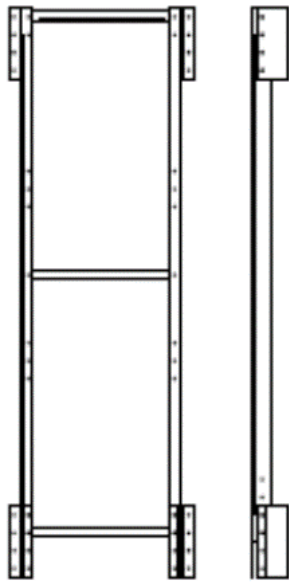
Items are sold individually.

Ordering Information:

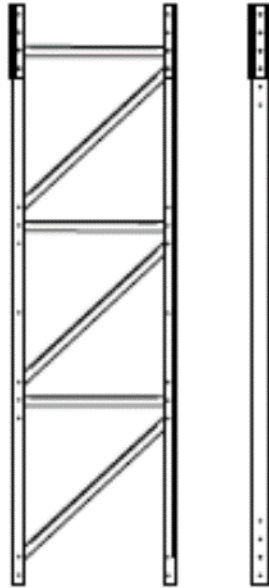
- Order 1 WM1036 for every 10' of sidewall height, plus extensions and kickers above the eave
- WM3020 has 20' long siderails and overall spread of kickers is 28' (14' on center)
- WM3010 has 10' long siderails and overall spread of kickers is 16' (8' on center)
- Overall width 36" with 31" between siderails
- Clearance from bin wall is 8", the outside of the tower is 12" from the bin wall

Wall Mount Loop Supports

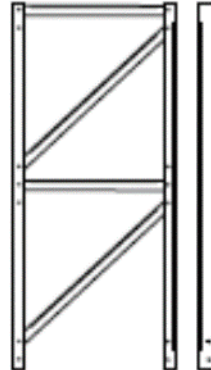
(Not for Manwalk or Conveyor Support)



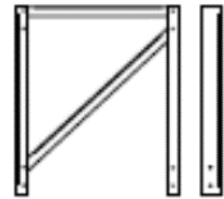
WM1036



WM2036

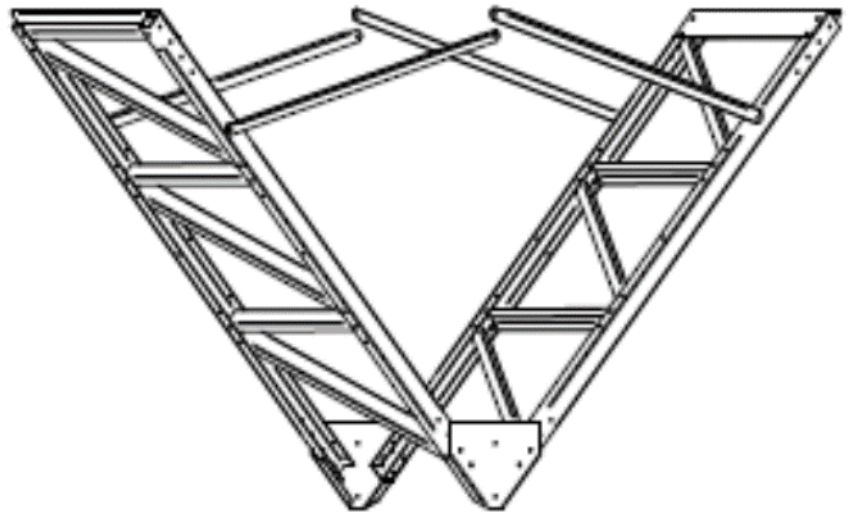
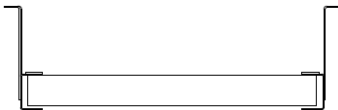


WM2836



WM2436

Top down view of
WM1036



WM3010

Wall Mount Tower not included with kicker packages

Item	Description	List Price	Weight
WM1036	Wall Loop Support Bin Wall Section	\$722.15	160 lbs
WM2036	Wall Loop 10' Extension (for use above eave)	\$722.15	160 lbs
WM2436	Wall Loop 40" Extension (for use on top of tower only)	\$280.58	60 lbs
WM2836	Wall Loop 80" Extension (for use on top of tower only)	\$510.56	111 lbs
WM3010	10' Wall Loop Kicker	\$1,854.81	390 lbs
WM3020	20' Wall Loop Kicker	\$3,703.87	778 lbs

Contact Information

General Sales and Customer Service

Sumer Horton sumer@greenebinstairs.com

Commercial Sales, Material Handling

Mike Adams mike@greenebinstairs.com

Bill Huff bill@greenebinstairs.com

Shipping

Ashlee Lewis ashlee@greenebinstairs.com

Accounting

Adam Muehl adam@greenebinstairs.com

Orders

orders@greenebinstairs.com

Inquiries

info@greenebinstairs.com

Office Hours: Monday - Friday 7:30am-4pm

Shipping Hours: Monday - Friday 7:30am-3:30pm

Same day shipping cutoff is 10am

All times Central

All our Product Line Cards can be found on our website

www.greenestairs.com/knowledge-base.html



Providing quality products to improve the safety, accessibility,

and efficiency of grain bins and grain handling systems

for over 40 years

MADE IN THE USA

41774 Main Street; PO Box 191
East Lynn, IL 60932
217-375-4244; Fax 217-375-4245

Page | 50

All Galvanized Material
F.O.B. East Lynn IL 60932
Prices subject to change without notice