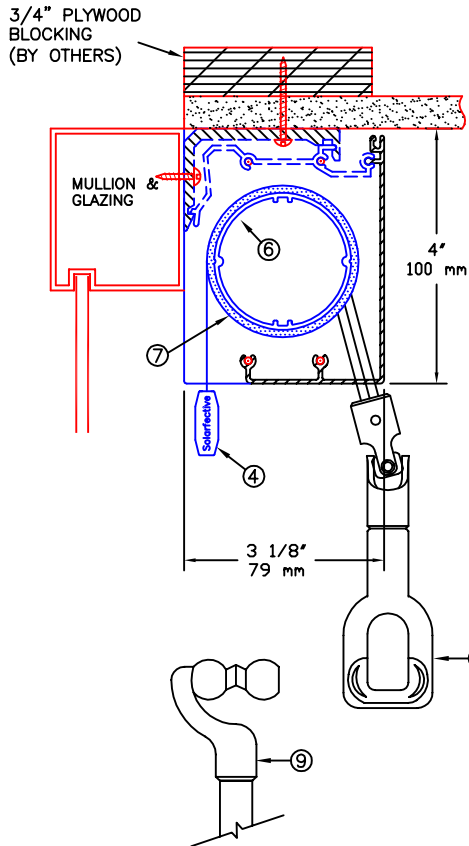
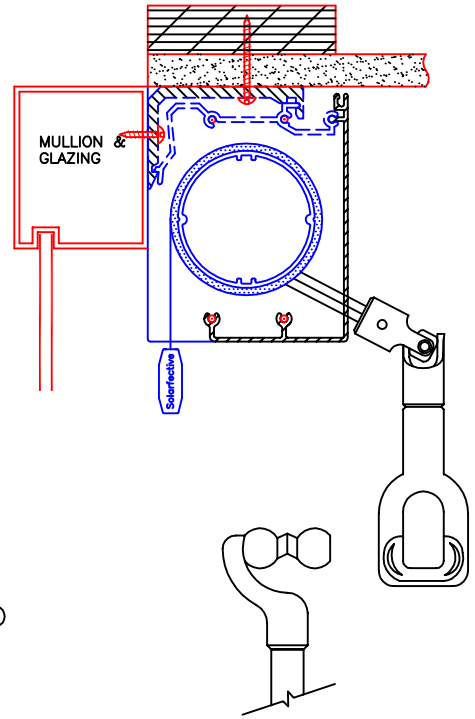


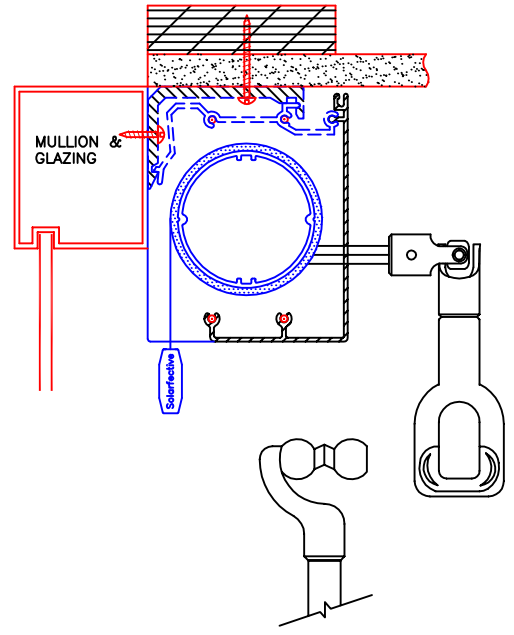
THE TELESHADE CAN BE MOUNTED TO THE CEILING OR TO THE FACE OF THE MULLION



CRANK THROUGH BOTTOM



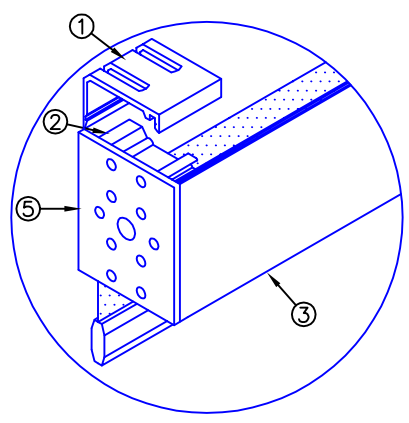
CRANK THROUGH CORNER



CRANK THROUGH FACE 90°

NOTES:

1. MOUNTING ANGLE
2. SPRING CLIP
3. EXTRUDED ALUMINUM FASCIA
4. EXTRUDED ALUMINUM EXTERIOR HEMBAR
5. ABS END BRACKETS
6. 2" Ø EXTRUDED ALUMINUM TUBE
7. FABRIC: 1%, 3%, 5%, 10% OPENNESS OR BLACKOUT
8. CRANK LOOP
9. SHADE CRANK & HANDLE



**Solarfective**

55 Hymus Road, Scarborough  
Ontario, Canada. M1L 2C6

Tel. (416) 421-3800

Fax. (416) 421-8424

Web Site: [www.solarfective.com](http://www.solarfective.com)

Email: [shades@solarfective.com](mailto:shades@solarfective.com)

CRANK OPERATED TELESHADE SYSTEM  
SNAP-IN MOUNTING DETAIL

PROJECT:	—				
DATE:	SCALE:	FILE No.	DRAWN:	DWG. No.	REV
JAN. 01, 2015	N.T.S.	—	ADIE	T-16	0