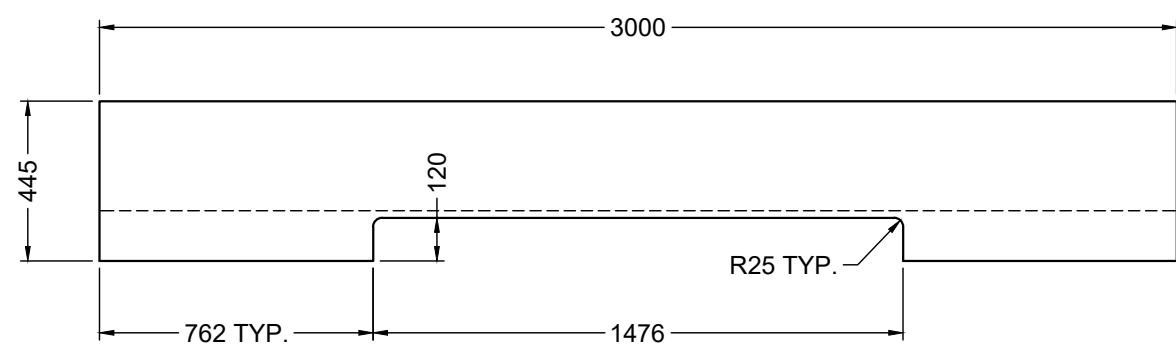
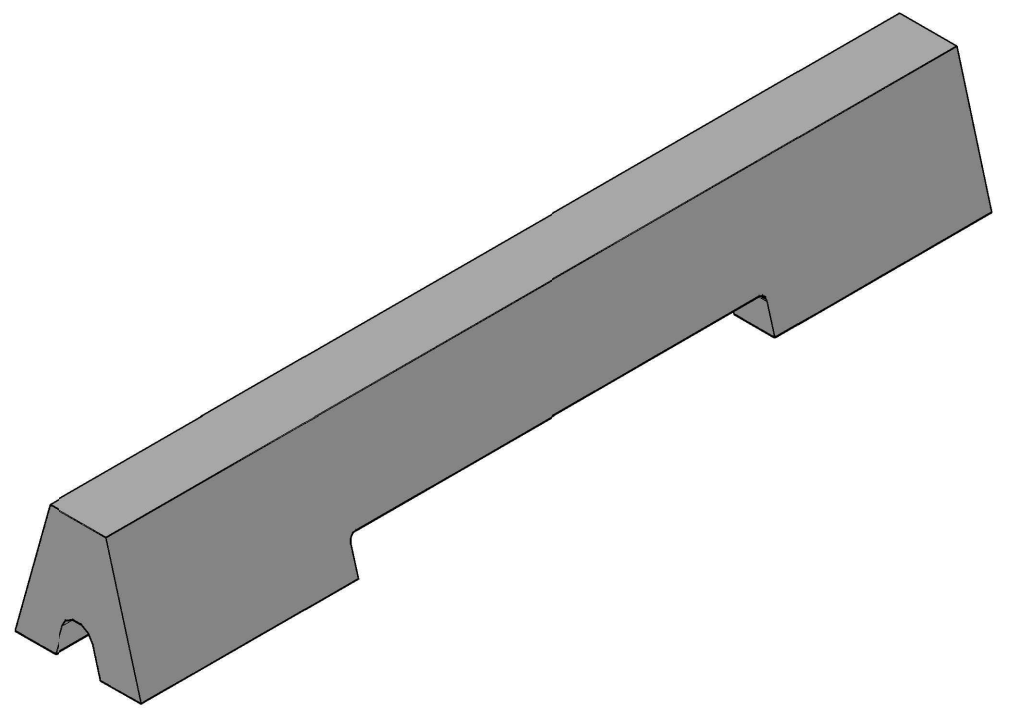


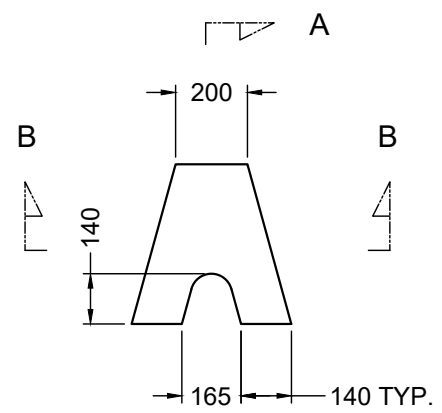
SECTION B-B



SECTION A-A



ISOMETRIC VIEW
NTS



PLAN VIEW

- NOTES:
- 1) CEMENT : PORTLAND CEMENT TYPE 50(HS)
 - 2) Max AGGREGATE SIZE: 20mm
 - 3) 28 DAY STRENGTH: MIN. 35 MPa.
 - 4) ENTRAINED AIR: 6%±1%
 - 5) REINFORCING TO CAN/CSA-G30.18 400 MPa
 - 6) ALL UNITS ARE IN MILLIMETERS UNLESS OTHERWISE NOTED.

TOTAL WEIGHT = 825 kg



SOURIS VALLEY INDUSTRIES

DWG. NO.	REFERENCE	NO.:	REVISION DESCRIPTION	BY	APP'D	DATE	DRW BY	BRS	2016/12/02
-	-	-	-	-	-	-	CH'K BY	-	-
-	-	-	-	-	-	-	AP'D BY	-	-
-	-	-	-	-	-	-	AP'D BY	-	-
-	-	-	-	-	-	-	AP'D BY	-	-
-	-	-	-	-	-	-	SCALE: 1:20	-	-

TITLE:	CONCRETE BARRIER 3000 x 445 MINI DETAIL DRAWING
PROJECT NO.:	JOB NO.:
DRAWING NO.:	SVI-CB-3000-001A

