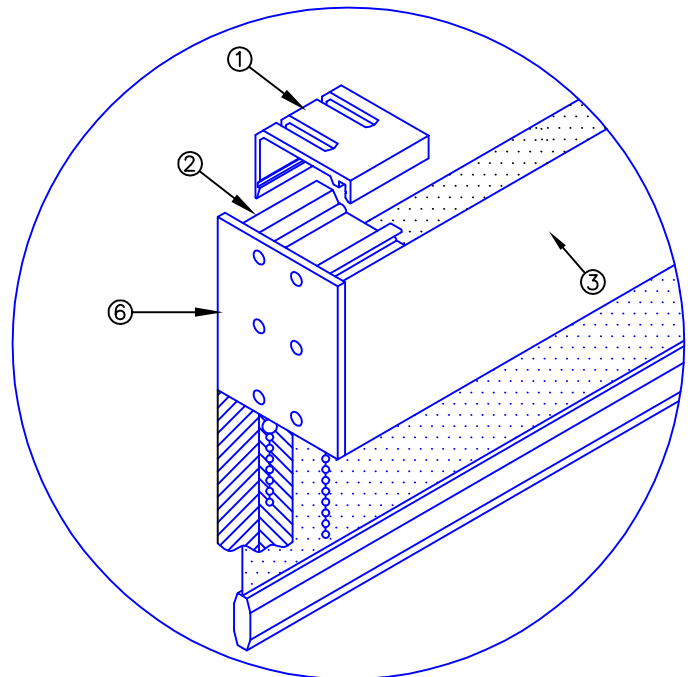
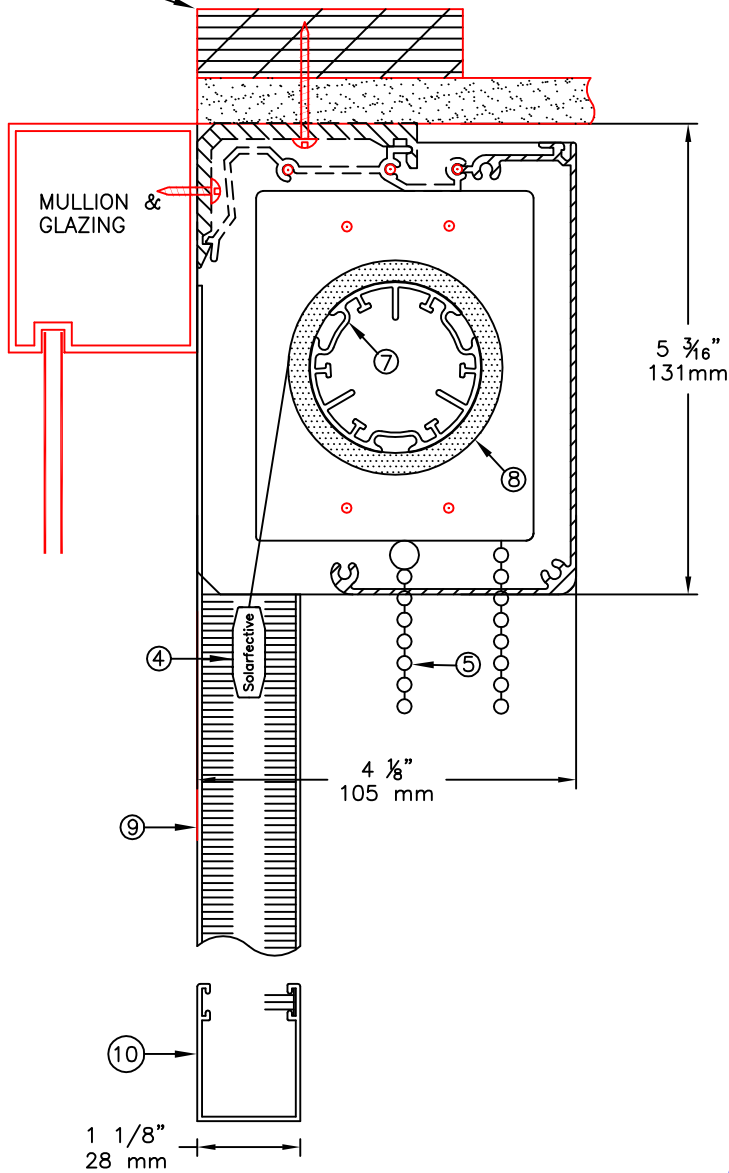


3/4" PLYWOOD  
BLOCKING  
(BY OTHERS)

THE TELESHADE CAN BE MOUNTED  
TO THE CEILING OR TO THE  
FACE OF THE MULLION



**NOTES:**

1. MOUNTING ANGLE
2. SPRING CLIP
3. EXTRUDED ALUMINUM 5" FASCIA
4. EXTRUDED ALUMINUM EXTERIOR HEMBAR
5. STAINLESS STEEL BALL CHAIN
6. END BRACKETS
7. 1 7/8" Ø EXTRUDED ALUMINUM TUBE
8. FABRIC: 1%, 3%, 5%, 10% OPENNESS OR BLACKOUT
9. MANUAL BLACKOUT SIDE CHANNELS
10. MANUAL BLACKOUT BOTTOM CHANNEL

**Solarfactive**

55 Hymus Road, Scarborough  
Ontario, Canada. M1L 2C6

Tel. (416) 421-3800  
Fax. (416) 421-8424

Web Site: [www.solarfactive.com](http://www.solarfactive.com)  
Email: [shades@solarfactive.com](mailto:shades@solarfactive.com)

5" FASCIA TELESHADE SYSTEM  
WITH BLACKOUT CHANNELS

PROJECT: -

DATE:  
JAN. 01, 2015

SCALE:  
N.T.S.

FILE No.  
-

DRAWN:  
ADIE

DWG. No.  
RD-13

REV  
0