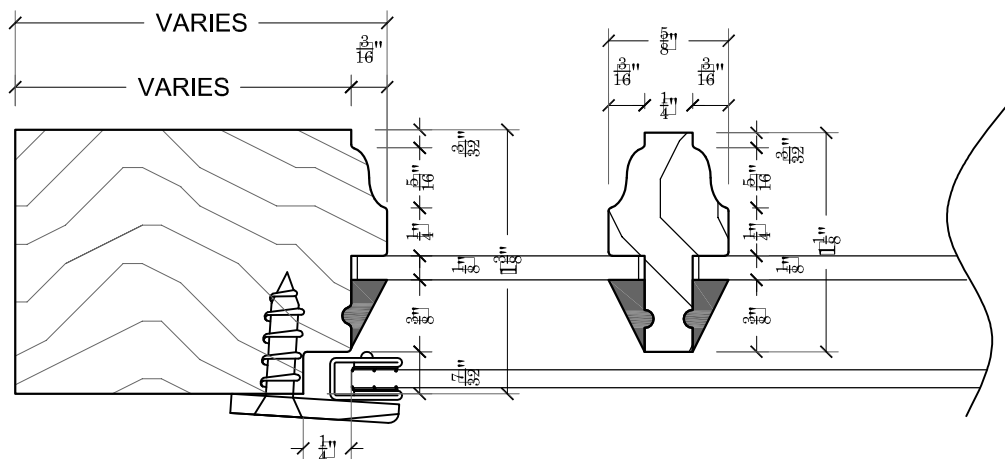
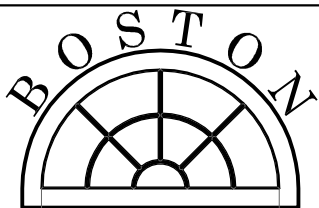


SINGLE STRENGTH GLASS



DOUBLE STRENGTH GLASS  
ANNEALED OR TEMPERED



**SASH & MILLWORK**  
667 SPRING STREET  
NORTH DIGHTON, MA. 02764  
PHONE # (508) 880-8808  
FAX # (508) 880-8828  
WWW.BOSTONSASH.COM

JOB:

**B.S. & M. STANDARDS  
PROFILE & GLASS OPTIONS**

DESCRIPTION:

**BOSTON EXT.E.P. PROFILE  
HUNG WINDOWS UNITS**

DRAWN BY:

**KEITH KUTHAN**

JOB NO:

**B.S.S.**

DWG. NO:

**SK-1.3**

DATE:

**1/11/2015**

SCALE:

**F.S.**

SHEET:

**4 OF 10**