

APPLICATION

The PVS feed bin are used to precondition material for vacuum conveying prior to entering the air stream. Feed bins are most common under Bulk Bag unloading stations or other process machinery, in order to buffer surge material from the process above. The 2 Cu. Ft. feed bin body equipped with the dust hood and removable grate module make the feedbin an ideal solution for emptying bags in a dust free manner.

DESIGN

Stainless steel, easy cleaning or sanitary design

- Modular structure which allows for:
 - Quick Changeover of Lid or Cover
 - Universal Mounting Flange for adapting to many of the PVS Discharge Devices
 - Dust Shroud (Hood) Vent for adaptation to central dust collection system
 - Removable Bag Grate for 25 kg [55 lb] standard bags
 - Easy opening hatch with split cover design to minimize height
 - Stainless steel mesh to prevent ingress of pieces of bags or oversize pieces
- 1 to 4 Vacuum Outlets Available with the PVS Vacuum Pick-Up Adapter for all standard wand sizes from 1 ½" to 3".
- Alternative bottom pick-up (sanitary design) which allows for washing and draining the feed bin.

STANDARD SPECIFICATIONS

- General Purpose 304 S.S. Material Contact Parts
- Leg Pack Providing 32" Work Surface
- Crack and crevice free welds, ground smooth
- 1.8 to 5.3 ft³ working volume
- Break Apart Construction for Easy Cleaning

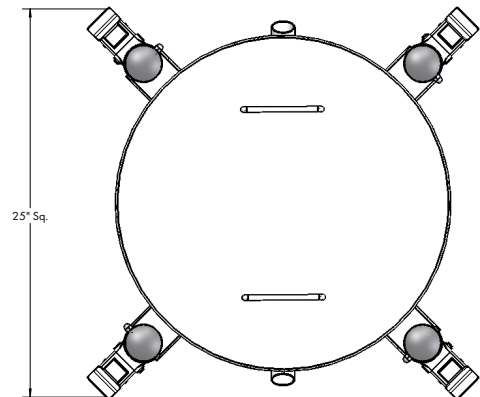
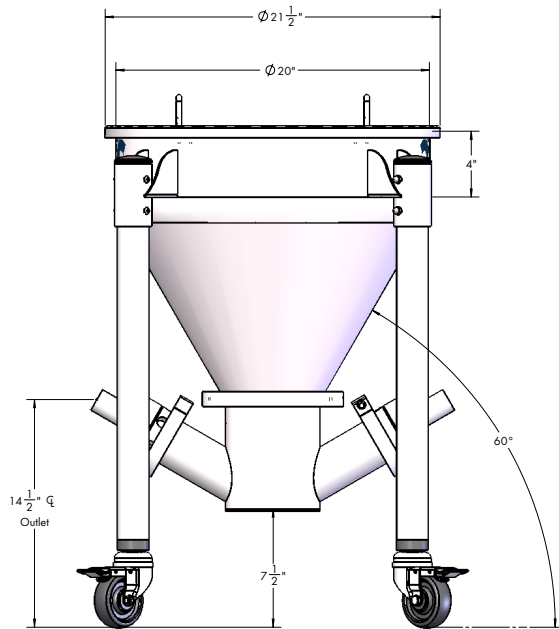
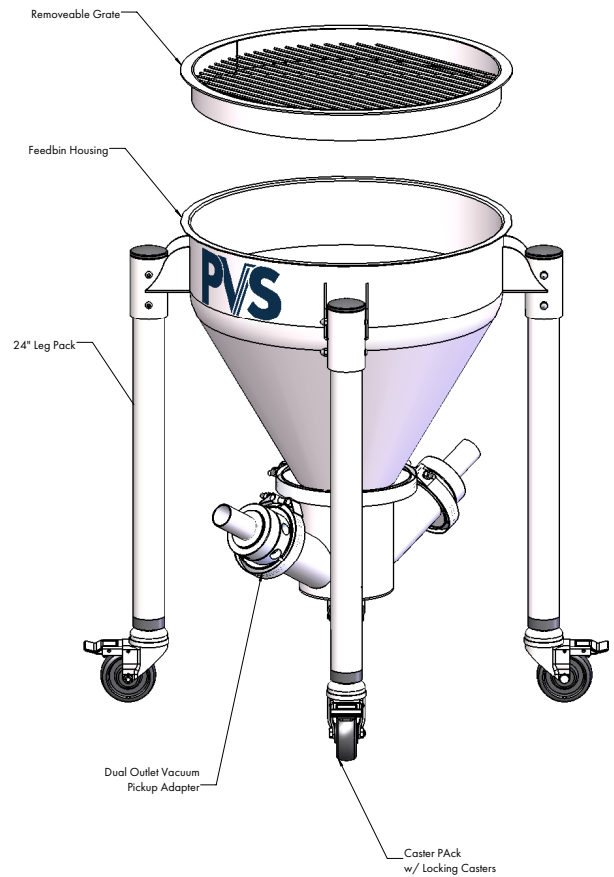
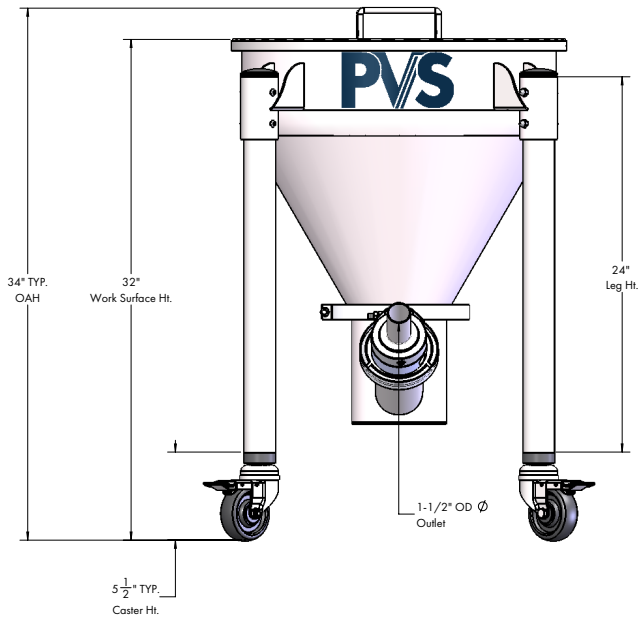


OPTIONS

- Caster Pak
- Aeration pads
- Vibrator
- Level probes
- Dust Shroud



DIMENSIONS OF THE VFB-2060 FEEDBIN WITH CASTERS AND GRATE



CUSTOMER DRIVEN SOLUTIONS.

PVS Process Equipment | 2600 Hamburg Turnpike Suite A | Buffalo, NY 14218
p. 716-646-0181 | f. 716-646-0157

CALL PVS TODAY
855.244.9533

Drawing data is for general reference ONLY. Certified drawings for your application available upon request.