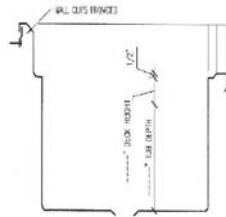
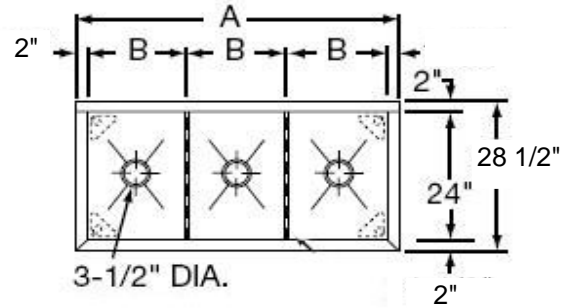


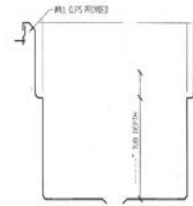
WICKETTS STAINLESS

SPECIFICATION

Commercial Sink Heavy Duty
Three Compartments

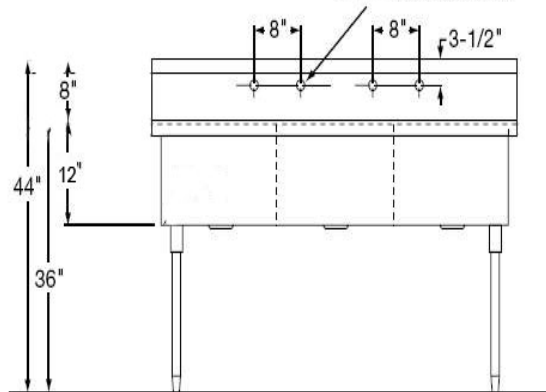


MARINE EDGE



ROLLED EDGE 1-1/8" DIA. 4 HOLES

Model Number	A	B	C
WCS 4315	48	15	
WCS 4318	57	18	
WCS 4324	51	24	
WCS 4330	63	30	
WCS 4336	75	36	
WCS Custom			



Engineering Specification: 14 gauge, type 304 stainless steel scullery sink. 12" deep construction. Full length 8" high backsplash with 45° sloped top. 1-1/2" wide sloping top channel rims. Exposed surfaces polished to a satin finish. Supported on (4) stainless steel, 1-5/8" O.D. tubular legs, Adjustable bullet feet.

WICKETTS STAINLESS, LLC
2618 San Miguel Dr. Bldg. # 376
Newport Beach, CA 92660
Tel: 951-858-2548
Fax: 951-638-9059
www.wickettsstainless.com
Sales@wickettsstainless.com



Approved for Manufacturing
Company: _____
Signature: _____