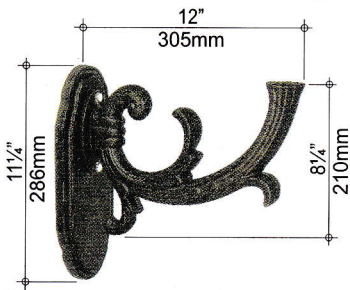
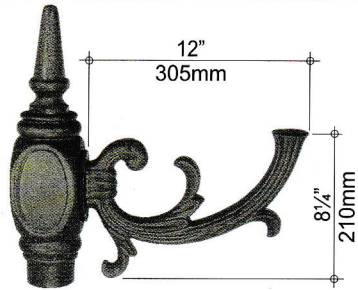


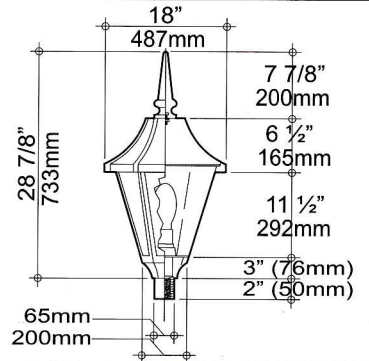
AMCO ANTIQUE LAMP POST WITH CASTLE LANTERN AND ACCESSORIES



MODEL NO.
1 - B



MODEL NO.
1 - BP



W
A
L
L
T
Y
P
E



MODEL NO.
C4 - CW

W
A
L
L
T
Y
P
E



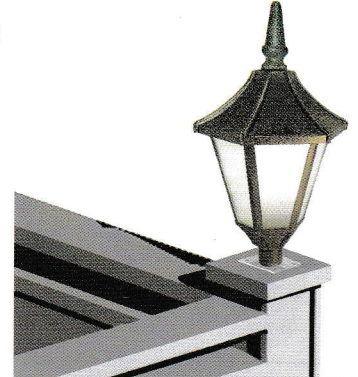
MODEL NO.
C4 - SW

P
O
S
T
T
Y
P
E



MODEL NO.
C4 - SC

G
A
T
E
T
Y
P
E



MODEL NO.
C4 - SM

CASTLE LANTERN WITH DECORATIVE POST AND BASE



MODEL NO.
G-145SC

MODEL NO.
C-141SCX

MODEL NO.
C-143SC

MODEL NO.
C-144SC

MODEL NO.
C-141SC

MODEL NO.
C-142SC

C-142-SC

C-145-SC