

Customer Name: _____

Chassis style & Yr: _____

Do you need any parts?

Company: _____

OEM Part #: _____

Cap

Phone #: _____

Select Finish: Milgrade Polished

1/2" Plug

Fax #: _____

Do you need any mounting hardware?

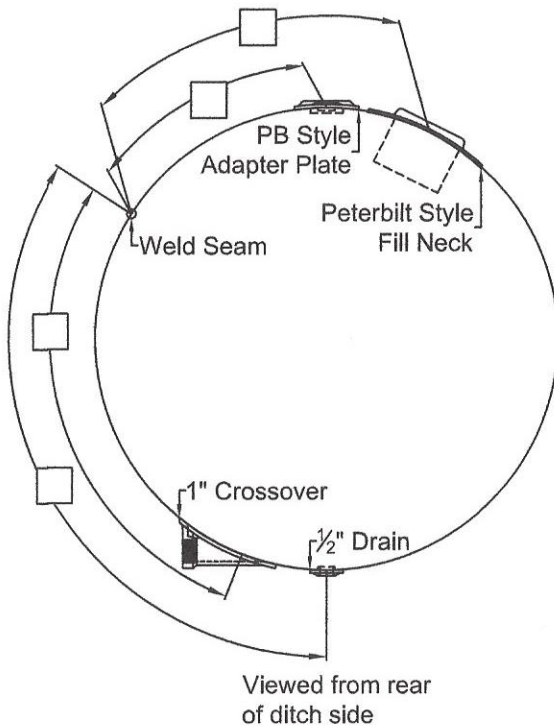
Vent

Straps Step Kit

Sending Unit

Please note parts and mounting are not included in the price of the tank.

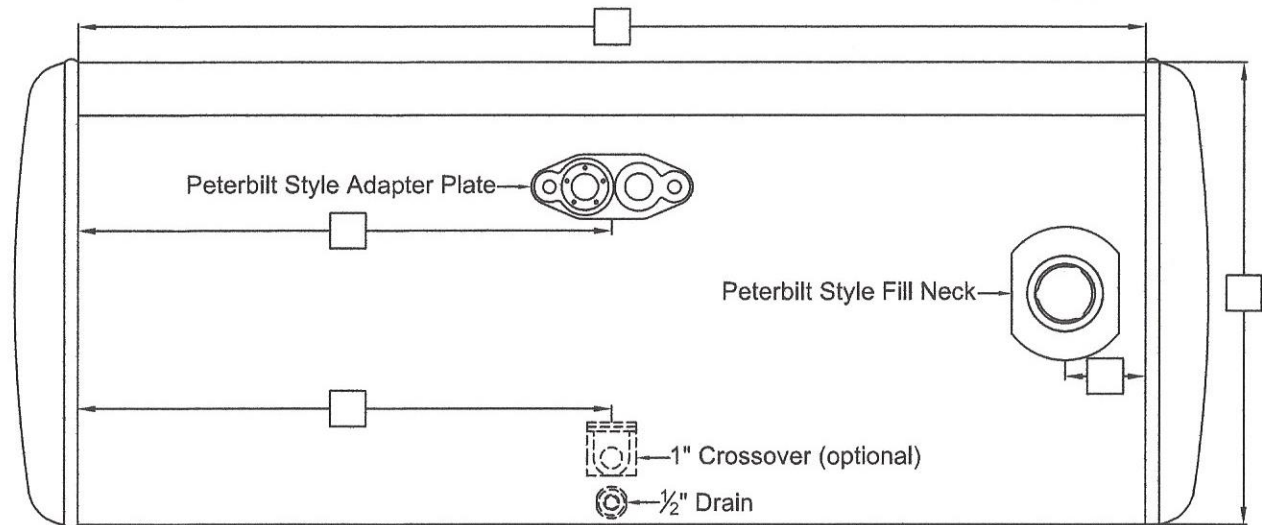
Other



This configuration is typically found on tanks prior to 2006.

Peterbilt Style

Truck Front →
Ditch Side



Please note: All sizes are NPTF unless otherwise noted and reference all measurements from the lateral weld seam and the end cap weld seam to the center of the fittings.

SouthTowns Specialties, LLC

5651 Cole Road
West Valley, NY 14171
716-592-4993