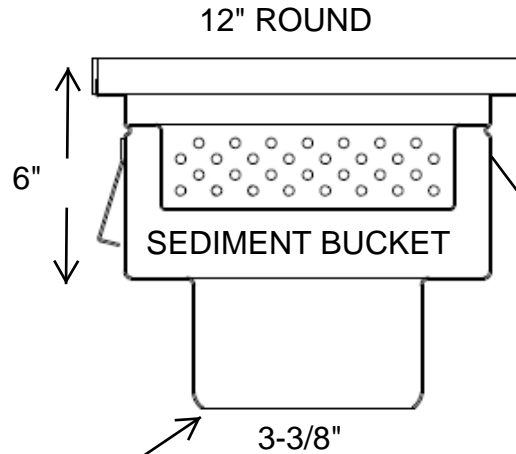


# WICKETTS STAINLESS SPECIFICATION

WFD-12-6-304 SS ROUND TOP  
12" Floor Drain



SIZE TO FIT IN 4"  
PIPE



**Engineering Specification: 12" FLOOR DRAIN .Construction 304 Stainless Steel Body; Sediment Basket.**

WICKETTS STAINLESS, LLC  
2618 San Miguel Dr.# Bdg. 376  
Newport Beach, CA 92660  
www.wickettsstainless.com  
sales@wickettsstainless.com



Approved for Manufacturing  
Company: \_\_\_\_\_  
Signature: \_\_\_\_\_