



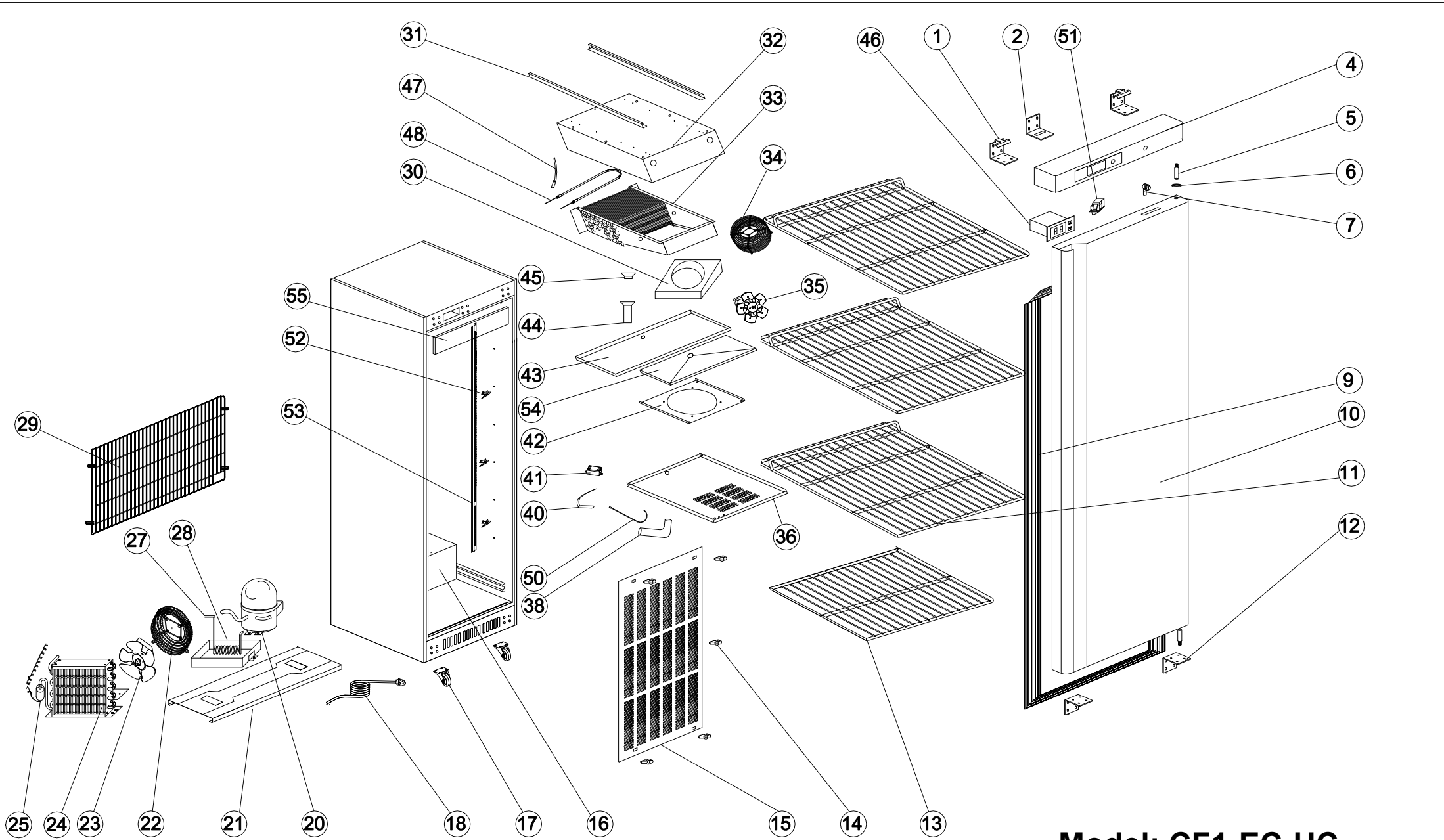
**PARTS LIST  
FOR SINGLE DOOR  
REACH-IN ECONOMY MODEL**

**CF1-EC-HC**

**Starting with Serial #1908ENTQ00001**

**(R290)**





**Model: CF1-EC-HC**

**PART LISTING FOR MODEL CF1-EC-HC (R290)**

NO	ENTRÉE#	NAME	QTY	NO	ENTRÉE#	NAME	QTY
1	HR0330	UPPER HINGE	2	28	C30012	CONDENSER DRAIN BOX	1
2	HR0331	BRACKET FOR DOOR LOCK	1	29	HR0313	REAR COVER GRILL	1
4	HR0001	FRONT PANEL	1	30	N/A	FOAM	1
5	HR0326	HINGE AXIS PIN	2	31	N/A	EVAPORATOR PAN SUPPORT RAILS	2
6	H00327B	BUSING	1	32	N/A	EVAPORATOR HOUSING	1
7	H00340	DOOR LOCK	1	33	HR0349	EVAPORATOR COIL	1
9	EHR0325	DOOR GASKET	1	34	H01122	EVAPORATOR FAN GUARD	1
10	HR0324	DOOR	1	35	HC0116-1	EVAPORATOR FAN MOTOR	1
11	H00309	SHELF, REACH-IN, 1 DOOR EC MODEL	3	36	HR0348	EVAPORATOR FAN COVER	1
12	HR0333	LOWER HINGE	2	38	H00336	DRAIN JOINT	1
13	H00309B	BOTTOM SHELF, EC MODEL	1	40	H00205	TEMPERATURE SENSOR	2
14	HR0002	EVAPORATOR COVER CLIP	5	41	H00335	SENSOR CLIP	1
15	HR0003	AIR FLOW DUCT	1	42	HR0140	EVAPORATOR PAN SUPPORT	1
16	N/A	BODY	1	43	HR0141	EVAPORATOR DRIP PAN	1
17	H02316	CASTER 3" W/BRAKE	2	44	G30002	DRAIN PIPE CONNECTOR (FEMALE)	1
17	H02317	CASTER 3" W/O BRAKE	2	45	G30001	DRAIN PIPE CONNECTOR (MALE)	1
18	C2194684	POWER CORD, 14AWG/NEMA 5-15P	1	46	H00204	CONTROLLER, FREEZER DIXELL XR20C	1
20	HC0011F	COMPRESSOR SCE15CNLX W/FILTER DRIER	1	47	H00207	FUSE, THERMAL, DEFROST ELEMENT	1
20	H02223	START KIT FOR SCE15CNLX	*	48	HR0201	DEFROST HEATING ELEMENT	1
21	N/A	COMPRESSOR MOUNTING PANEL	1	50	H00211A	HEATER, DRAIN PIPE (CF1-EC)	1
22	H00123	FAN GUARD BLACK - CONDENSER	1	51	C2194677	DOOR SWITCH, 3 PIN	1
23	H00120	MOTOR, CONDENSER FAN, M4Q045-BD03-04/CO6 (5W)	1	52	C3234860	PILASTER CLIP	12
24	HR1347	CONDENSER COIL	1	53	HR0342	PILASTER SUPPORT	4
25	H00341	FILTER DRIER	1	54	N/A	INSULATION PANEL	1
27	H00124	EVAPORATOR PIPE	1	55	N/A	INSIDE PANEL	1



For Tech Support or Parts Call:  
1-704-900-2068  
Website: <http://www.entree.biz>