

# Worktop Freezers



Model	Size
WTFX27	27" Unit
WTFX48	48" Unit

### STANDARD FEATURES

- Stainless steel interior and exterior, aluminum back. Option of bright white aluminum interior available.
- Freezer system keeps food at safe temperatures between -8°F and 0°F
- Self-Closing glass doors with locks and keys.
- Shelves: Adjustable heavy-duty PVC coated shelves.
- Option of different handles & control panels available.
- Electronic control system makes it easy to adjust temperature set point and defrost frequency
- Pre-installed heavy-duty casters with brakes
- Removable installation board makes it easy to access condenser coil for cleaning and service
- These units use HYDRO-CARBON R290 refrigerant which is environmentally friendly and more efficient than R134a/R404a refrigerant

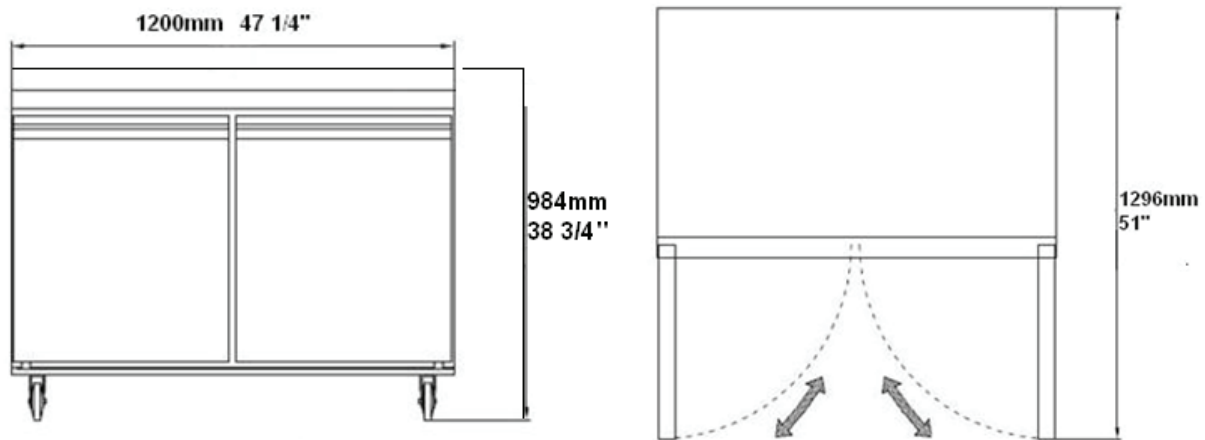
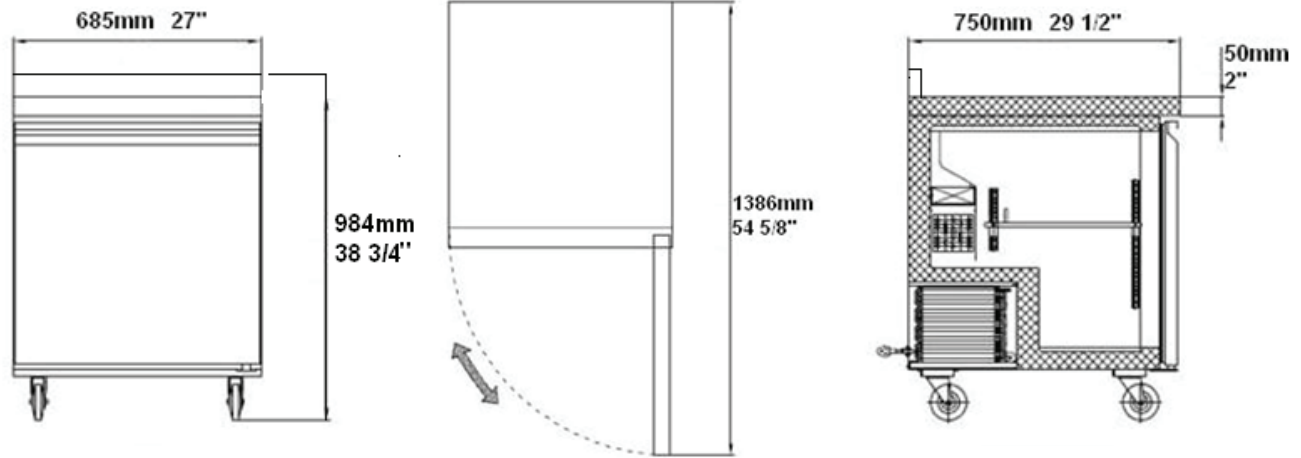
FREEZERS

Items	Description	Items	Description
Front, top & sides	Stainless steel	Temperature control	Solid state thermostat/Digital display
Doors	Stainless steel / ABS liner	Approvals	UL-EPH
External back	Aluminum	Refrigerating system	Capillary tube
Cabinet interior	ABS	Refrigerant	R290A
Interior floor	Stainless steel	Temperature range	-8°F to 0°F
Insulation	Polyurethane (CFC free)	Evaporator	Powder coated aluminum/copper
Shelves	Heavy duty, PVC coating	Condensing unit	Rear mounted





# DETAILS AND DIMENSIONS



Model	Doors	Capacity (cu.ft)	Shelves	Cabinet Dim (inches)			HP	Voltage	Amps	NEMA Plug	Cord Length	Crated Weight
				L	D	H						
WTFX27	1	6.5	1	27	29.5	35.2	1/6	115/60/1	1.9	5-15P	10	?
WTFX48	2	12	2	47.2	29.5	35.2	1/5	115/60/1	2.7	5-15P	10	?