

LP-16 Datasheet

LP-16

LP16 Power/Signal	Product Series	LP-16						LP-16										
	Pin Number	2PIN		3PIN		4PIN		5PIN		7PIN		8PIN		9PIN		RJ45	Type- C	—
	Application Type Section																	—
	Current Rating	10A						5A		5A						1.5A	5A	—
	Voltage Rating	AC 400V						AC 250V		AC 250V						AC 125V	DC 20V	—
	Cable O.D Range	≤ φ 9.0mm						≤ φ 9.0mm						≤ φ 7.0mm		—	—	—
	Wire Size	1.5mm ² /16AWG						0.50mm ² /20AWG		0.50mm ² /20AWG						—	—	—
	Protection Level	Standard is IP65, IP67&IP68 Option Available						Standard is IP65, IP67&IP68 Option Available						—	—	—		
	Assembly Method	Soldering						Soldering		Soldering						—	—	—
	Illustration	Material	Part No										Part No					
	塑胶	Male	LP-16-C02PE-02-001	LP-16-C03PE-02-001	LP-16-C04PE-02-001	LP-16-C05PE-02-001	LP-16-C07PE-02-001	LP-16-C08PE-02-001	LP-16-C09PE-02-001	LP-16-C/RJ45/015/PE-42-001	LP-16-TYPEC-MP-MP-1M-002	—						
		Female	LP-16-J02PE-02-001	LP-16-J03PE-02-001	LP-16-J04PE-02-001	LP-16-J05PE-02-001	LP-16-J07PE-02-001	LP-16-J08PE-02-001	LP-16-J09PE-02-001	—	—	—						
		Male	LP-16-C02PP-02-001	LP-16-C03PP-02-001	LP-16-C04PP-02-001	LP-16-C05PP-02-001	LP-16-C07PP-02-001	LP-16-C08PP-02-001	LP-16-C09PP-02-001	—	—	—						
		Female	LP-16-J02PP-02-001	LP-16-J03PP-02-001	LP-16-J04PP-02-001	LP-16-J05PP-02-001	LP-16-J07PP-02-001	LP-16-J08PP-02-001	LP-16-J09PP-02-001	LP-16-J/RJ45/213/PP-42-001	—	—						
		Male	LP-16-C02SX-02-101	LP-16-C03SX-02-101	LP-16-C04SX-02-101	LP-16-C05SX-02-101	LP-16-C07SX-02-101	LP-16-C08SX-02-101	LP-16-C09SX-02-101	—	LP-16-J/TYPE C31/215/SX-42-401	—						
		Female	LP-16-J02SX-02-101	LP-16-J03SX-02-101	LP-16-J04SX-02-101	LP-16-J05SX-02-101	LP-16-J07SX-02-101	LP-16-J08SX-02-101	LP-16-J09SX-02-101	LP-16-J/RJ45/110/SX-02-101	—	—						
		Male	—	—	—	—	—	—	—	—	—	—						
		Female	—	—	—	—	—	—	—	LP-16-J/RJ45/113/SX-02-201	—	—						
		Male	LP-16-C02SX-02-401	LP-16-C03SX-02-401	LP-16-C04SX-02-401	LP-16-C05SX-02-401	LP-16-C07SX-02-401	LP-16-C08SX-02-401	LP-16-C09SX-02-401	—	—	—						
		Female	LP-16-J02SX-02-401	LP-16-J03SX-02-401	LP-16-J04SX-02-401	LP-16-J05SX-02-401	LP-16-J07SX-02-401	LP-16-J08SX-02-401	LP-16-J09SX-02-401	LP-16-J/RJ45/113/SX-02-201	LP-16-J/TYPE C31/215/SX-42-101	—						

LP-16 Datasheet

LP-16

LP16 Power/Signal	Product Series	LP-16						LP-16										
	Pin Number	2PIN		3PIN		4PIN		5PIN		7PIN		8PIN		9PIN		—	—	—
	Application Type Section															—	—	—
	Current Rating	10A						5A		5A					—	—	—	
	Voltage Rating	AC 400V						AC 250V		AC 250V					—	—	—	
	Cable O.D Range	≤ φ 9.0mm						≤ φ 9.0mm					—	—	—			
	Wire Size	1.5mm ² /16AWG						0.5mm ² /20AWG		0.5mm ² /20AWG					—	—	—	
	Protection Level	Standard is IP65, IP67&IP68 Option Available						Standard is IP65, IP67&IP68 Option Available					—	—	—			
	Assembly Method	Soldering						Soldering		Soldering					—	—	—	
Illustration	Material	Part No						Part No					—	—	—			
	Plastic / Metal	Male	LP-16-C02PE-01-001	LP-16-C03PE-01-001	LP-16-C04PE-01-001	LP-16-C05PE-01-001	LP-16-C07PE-01-001	LP-16-C08PE-01-001	LP-16-C09PE-01-001	—	—	—						
		Female	LP-16-J02PE-01-001	LP-16-J03PE-01-001	LP-16-J04PE-01-001	LP-16-J05PE-01-001	LP-16-J07PE-01-001	LP-16-J08PE-01-001	LP-16-J09PE-01-001	—	—	—						
		Male	LP-16-C02PP-01-001	LP-16-C03PP-01-001	LP-16-C04PP-01-001	LP-16-C05PP-01-001	LP-16-C07PP-01-001	LP-16-C08PP-01-001	LP-16-C09PP-01-001	—	—	—						
		Female	LP-16-J02PP-01-001	LP-16-J03PP-01-001	LP-16-J04PP-01-001	LP-16-J05PP-01-001	LP-16-J07PP-01-001	LP-16-J08PP-01-001	LP-16-J09PP-01-001	—	—	—						
	Plastic / Metal	Male	LP-16-C02SX-03-101	LP-16-C03SX-03-101	LP-16-C04SX-03-101	LP-16-C05SX-03-101	LP-16-C07SX-03-101	LP-16-C08SX-03-101	LP-16-C09SX-03-101	—	—	—						
		Female	LP-16-J02SX-03-101	LP-16-J03SX-03-101	LP-16-J04SX-03-101	LP-16-J05SX-03-101	LP-16-J07SX-03-101	LP-16-J08SX-03-101	LP-16-J09SX-03-101	—	—	—						
		Male	LP-16-C02SX-03-401	LP-16-C03SX-03-401	LP-16-C04SX-03-401	LP-16-C05SX-03-401	LP-16-C07SX-03-401	LP-16-C08SX-03-401	LP-16-C09SX-03-401	—	—	—						
		Female	LP-16-J02SX-03-401	LP-16-J03SX-03-401	LP-16-J04SX-03-401	LP-16-J05SX-03-401	LP-16-J07SX-03-401	LP-16-J08SX-03-401	LP-16-J09SX-03-401	—	—	—						

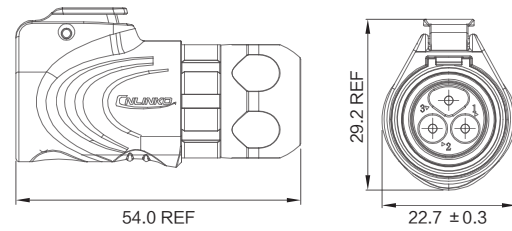
LP-16 Datasheet

LP-16

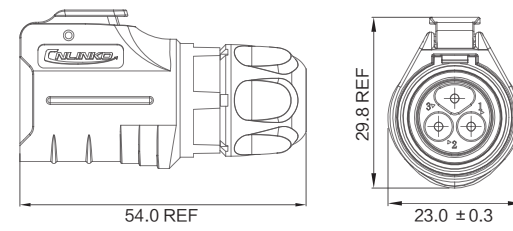
LP16 Power/Signal	Product Series	LP-16								LP-16									
	Pin Number	2PIN		3PIN		4PIN		5PIN		7PIN		8PIN		9PIN		RJ45	—	—	
	Application Type Section																—	—	
	Current Rating	10A						5A		5A						1.5A	—	—	
	Voltage Rating	AC 400V						AC 250V		AC 250V						AC 125V	—	—	
	Cable O.D Range	≤ φ 9.0mm								≤ φ 9.0mm				≤ φ 9.0mm				—	—
	Wire Size	1.5mm ² /16AWG						0.5mm ² /20AWG		0.5mm ² /20AWG						—	—		
	Protection Level	Standard is IP65, IP67&IP68 Option Available								Standard is IP65, IP67&IP68 Option Available									
	Assembly Method	Soldering / Screwing						Soldering		Soldering									
	Illustration	Material	Part No										Part No						
 Plug	Metal	Male	LP-16-C02PE-03-001	LP-16-C03PE-03-001	LP-16-C04PE-03-001	LP-16-C05PE-03-001	LP-16-C07PE-03-001	LP-16-C08PE-03-001	LP-16-C09PE-03-001	LP-16-C/RJ45/015/PE-43-001	—	—							
		Female	LP-16-J02PE-03-001	LP-16-J03PE-03-001	LP-16-J04PE-03-001	LP-16-J05PE-03-001	LP-16-J07PE-03-001	LP-16-J08PE-03-001	LP-16-J09PE-03-001	—	—	—							
 In-line receptacle	Metal + Plastic	Male	LP-16-C02PP-01-001	LP-16-C03PP-01-001	LP-16-C04PP-01-001	LP-16-C05PP-01-001	LP-16-C07PP-01-001	LP-16-C08PP-01-001	LP-16-C09PP-01-001	—	—	—							
		Female	LP-16-J02PP-01-001	LP-16-J03PP-01-001	LP-16-J04PP-01-001	LP-16-J05PP-01-001	LP-16-J07PP-01-001	LP-16-J08PP-01-001	LP-16-J09PP-01-001	—	—	—							
 Single hole straight receptacle	Metal	Male	LP-16-C02SX-03-101	LP-16-C03SX-03-101	LP-16-C04SX-03-101	LP-16-C05SX-03-101	LP-16-C07SX-03-101	LP-16-C08SX-03-101	LP-16-C09SX-03-101	—	—	—							
		Female	LP-16-J02SX-03-101	LP-16-J03SX-03-101	LP-16-J04SX-03-101	LP-16-J05SX-03-101	LP-16-J07SX-03-101	LP-16-J08SX-03-101	LP-16-J09SX-03-101	—	—	—							
 Four-hole flange receptacle		Male	LP-16-C02SX-03-401	LP-16-C03SX-03-401	LP-16-C04SX-03-401	LP-16-C05SX-03-401	LP-16-C07SX-03-401	LP-16-C08SX-03-401	LP-16-C09SX-03-401	—	—	—							
		Female	LP-16-J02SX-03-401	LP-16-J03SX-03-401	LP-16-J04SX-03-401	LP-16-J05SX-03-401	LP-16-J07SX-03-401	LP-16-J08SX-03-401	LP-16-J09SX-03-401	LP-16-J/RJ45/210/SX-03-401	—	—							

LP-16 Dimension Drawing (unit: mm)

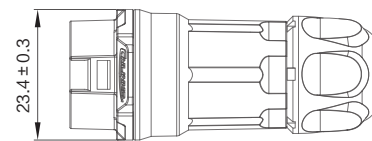
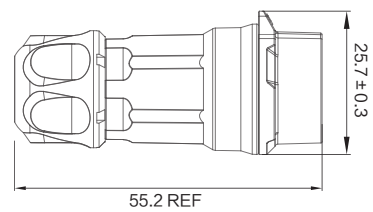
Metal Plug



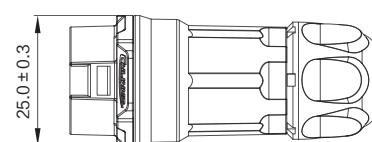
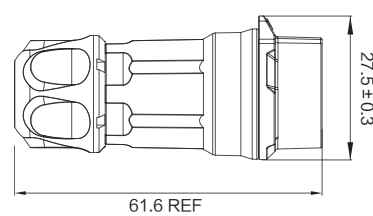
Plastic Plug



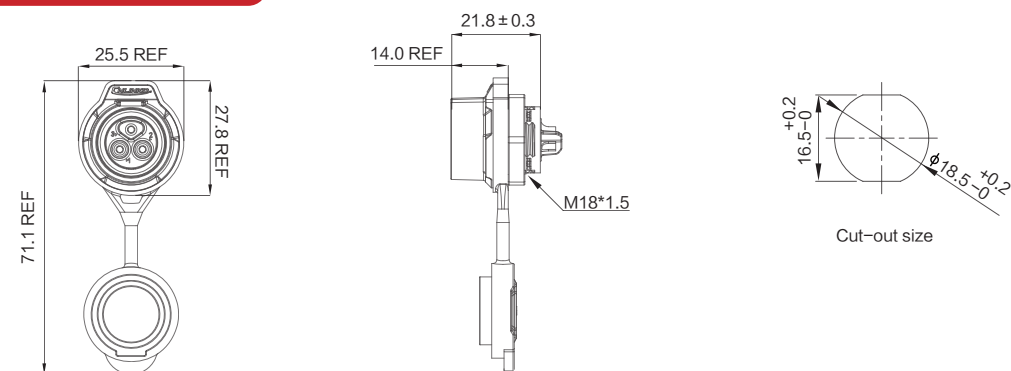
In-line receptacle



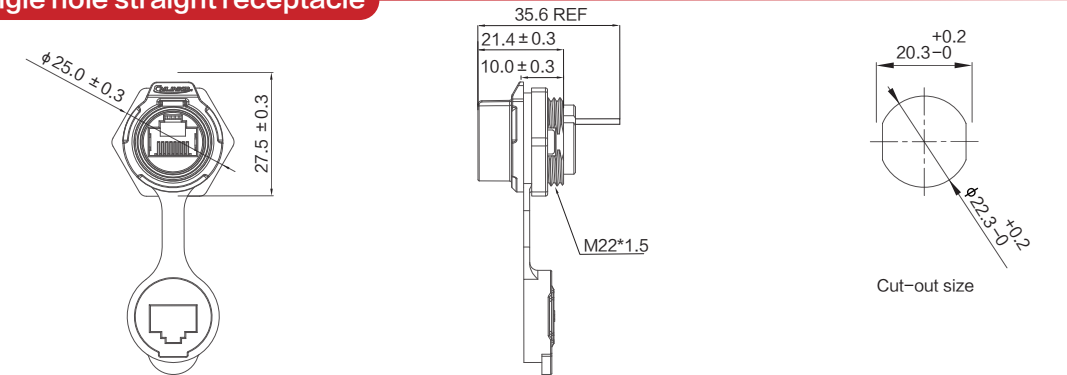
RJ45 In-line receptacle



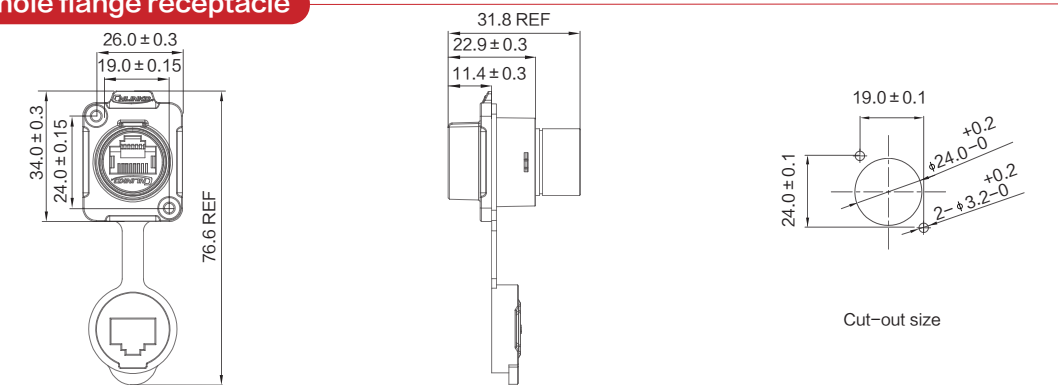
Single hole straight receptacle



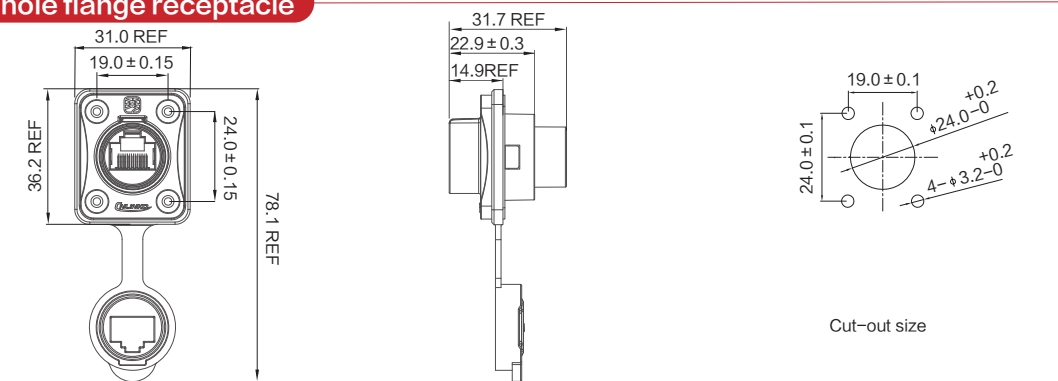
RJ45 Single hole straight receptacle



RJ45 Two-hole flange receptacle



RJ45 Four-hole flange receptacle



Four-hole flange receptacle

