

# STANDY

ENGLISH - COD 22082 -23-09-16

The STANDY stabilizer is the result of our consolidated experience, our constant research on materials and our attempt to optimize postures. Particular attention has been paid to form and colour as an integral part of the project



# STANDY



 *design and quality*  
**MADE IN ITALY since 1980**



Authorized dealer

PRODUCT MARKED



PRODUCT TESTED  
**TÜV BERLIN**

PRODUCT REGISTERED  
**FDA (USA)**

**ORMESA** S.r.l.  
Via A. Da Sangallo, 1 - 06034 FOLIGNO (PG) ITALY  
TEL. +39 0742 22927-FAX +39 0742 22637  
info@ormesa.com-www.ormesa.com



AZIENDA CON  
SISTEMA DI GESTIONE  
CERTIFICATO DA DNV  
= ISO 9001 =  
= OHSAS 18001 =





Correct position of arms



How to position the work table

► **OPTIONAL 902** - adjustable front footrest+straps

► **OPTIONAL 861** - set of 4 wheels with brakes



► **OPTIONAL 857** - side support for the pelvis



► **OPTIONAL 865** - headrest



Remove the handle for those who are not self-sufficient



Correct position of feet



How to close the backrest



**STANDY 3** how to close the backrest

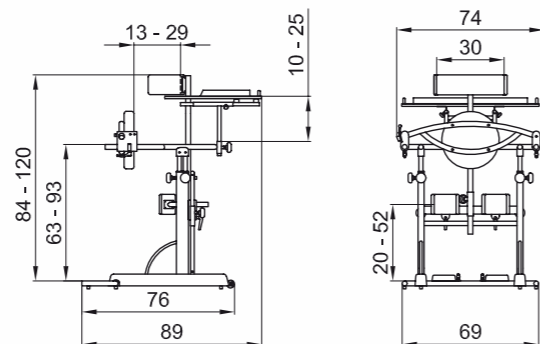


**STANDY 3** for children from 8 to 14

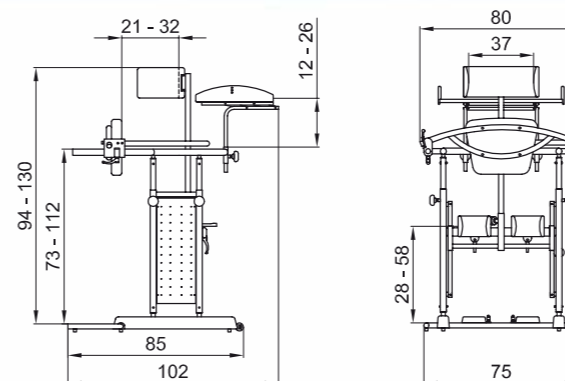


Correct position of knees and feet

DIMENSIONS in cm and kg



**STANDY 3 medium** - Weight kg. 28,9 - Max. capacity kg. 90



**STANDY 4 large** - Weight kg. 38 - Max. capacity kg. 120