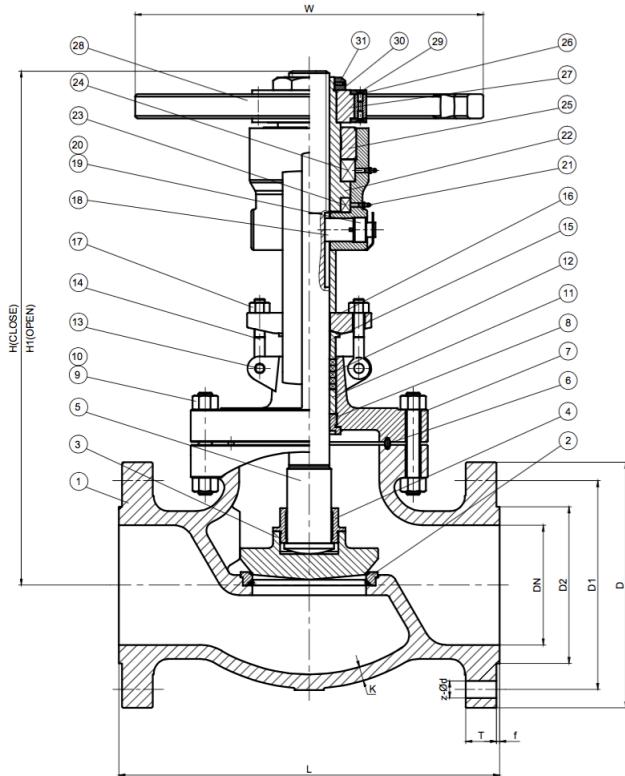


Cast Steel Globe Valve
Pressure Class: 150 thru 2500
Size: 2" thru 24"

Design and Manufacturing Standards
Valve Design: ASME B16.34 / API 6D API 623
Flange Dimensions: ASME B16.5/ ASME B16.47
Face to Face Dimensions: ASME B16.10 / B16.25
Tested In Accordance with: API 598



Design Features

- 1. Long thread stem nut**
provide long thread life and permit the removal of hand wheel even when fully open
- 2. Flexible wedge**
compensate for seat face distortion and body deformation due to pipe stress
- 3. Blow-out Proof Stem with collar**
- 4. Renewable seal welded seats with STL6**

Material List							
Part Name	Carbon Steel	Stainless steel	LCC	Part Name	Carbon Steel	Stainless	LCC
1 BODY	ASTM A216 WCB	ASTM A351 CF8M	ASTM A352 LCC	17 EYE BOLT NUT	ASTM A194 2HM	ASTM A194 8M	ASTM A194 7M
2 SEAT	ASTM A105+STL6#	ASTM A182 F316+STL6#	ASTM A182 F316+STL6#	18 KEY	ASTM A276 410	ASTM A276 316	ASTM A276 316
3 DISC	STM A105+13%Cr	ASTM A182 F316	ASTM A182 F316	19 PLUG	CARBON STEEL	STAINLESS STEEL	STAINLESS STEEL
4 DISC NUT	ASTM A276 410	ASTM A276 316	ASTM A276 316	20 PLUG LOCKNUT	CARBON STEEL	STAINLESS STEEL	STAINLESS STEEL
5 STEM	ASTM A182 F6a	ASTM A182 F316	ASTM A182 F316	21 GREASE NIPPLE	CARBON STEEL	STAINLESS STEEL	STAINLESS STEEL
6 GASKET R53	SOFT STEEL	SOFT STEEL	SOFT STEEL	22 STEM NUT	ASTM A439 D-2	ASTM A439 D-2	ASTM A439 D-2
7 BONNET	ASTM A216 WCB	ASTM A351 CF8M	ASTM A352 LCC	23 BALL BEARING	CARBON STEEL	STAINLESS STEEL	STAINLESS STEEL
8 BACK SEAT	ASTM A276 410	ASTM A276 316	ASTM A276 316	24 BALL BEARING	CARBON STEEL	STAINLESS STEEL	STAINLESS STEEL
9 BONNET BOLT	ASTM A193 B7M	ASTM A193 B8M	ASTM A193 L7M	25 RETAINING NUT	CARBON STEEL	STAINLESS STEEL	STAINLESS STEEL
10 BONNET NUT	ASTM A194 2HM	ASTM A194 8M	ASTM A194 7M	26 BAFFLE	CARBON STEEL	STAINLESS STEEL	STAINLESS STEEL
11 PACKING RING	ASTM A276 410	ASTM A276 316	ASTM A276 316	27 SHOCK BLOCK	CARBON STEEL	STAINLESS STEEL	STAINLESS STEEL
12 PACKING	GRAPHITE	GRAPHITE	GRAPHITE	28 HANDWHEEL	ASTM A536 60-40-18	ASTM A536 60-40-18	ASTM A536 60-40-18
13 EYE BOLT PIN	AISI 1045	ASTM A276 316	ASTM A276 316	29 SET SCREW	AISI A1035	ASTM A276 316	ASTM A276 316
14 EYE BOLT	ASTM A193 B7M	ASTM A193 B8M	ASTM A193 L7M	30 HANDWHEEL NUT	CARBON STEEL	STAINLESS STEEL	STAINLESS STEEL
15 GLAND	ASTM A276 410	ASTM A276 316	ASTM A276 316	31 SCREW	AISI A1035	ASTM A276 316	ASTM A276 316
16 GLAND FLANGE	ASTM A216 WCB	ASTM A351 CF8M	ASTM A352 LCC				

*Note: Other material upon request

The data provided in this document is subject to change without notice, Please contact SVI for current drawing when order

Cast Steel Globe Valve
Pressure Class: 150 thru 2500
Size: 2" thru 24"

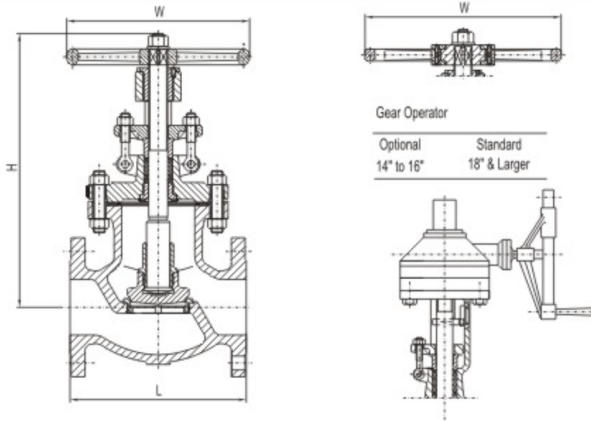
Design and Manufacturing Standards

Valve Design: ASME B16.34 / API 6D API 623

Flange Dimensions: ASME B16.5/ ASME B16.47

Face to Face Dimensions: ASME B16.10 / B16.25

Tested In Accordance with: API 598



**Bolted Bonnet, OS&Y
 Screwed-in back seat,
 Rising Stem,
 Swivel Disc**

NOTE: Gear operator is available with " * "

CLASS 150													
SIZE	inches	2"	3"	4"	6"	8"	10"	12"	14"	16"	18"	20"	24"
	mm	50	80	100	150	200	250	300	350	400	450	500	600
L RF/BW	mm	203	241	292	406	495	622	699	787	914	978	978	1295
H	mm	338	396	476	524	588	738	862	960	994	1140	1262	1524
W	mm	200	250	300	350	400	500	500	560	650	*610	*610	*810

CLASS 300													
SIZE	inches	2"	3"	4"	6"	8"	10"	12"	14"	16"	18"	20"	
	mm	50	80	100	150	200	250	300	350	400	450	500	
L RF/BW	mm	267	310	356	445	569	622	711	838	864	970	1010	
H	mm	410	509	612	805	1000	1209	1416	1602	1725	1959	2194	
W	mm	200	250	250	350	400	450	500	550	600	*610	*610	

CLASS 600													
SIZE	inches	2"	3"	4"	6"	8"	10"	12"	14"	16"	18"		
	mm	50	80	100	150	200	250	300	350	400	450		
L RF/BW	mm	292	356	432	559	660	767	838	889	991	1092		
H	mm	336.5	495.5	599	791	1014	1180	1397	1450	1610	1801		
W	mm	250	350	450	560	600	700	*610	*610	*610	*610		

CLASS 900													
SIZE	inches	2"	3"	4"	6"	8"	10"	12"	14"	16"			
	mm	50	80	100	150	200	250	300	350	400			
L RF/BW	mm	368	381	457	610	737	838	965	1029	1130			
L-RTJ	mm	371	423842	480	613	740	841	968	1038	1140			
H	mm	590	699	795	1108	1164	1479	1765	1934	2210			
W	mm	350	450	500	610	*610	*610	*810	*810	*810			

NOTE: The data provided in this document is subject to change without notice, Please contact SVI for current drawing when order.

"*" is with gear operator

Cast Steel Globe Valve
Pressure Class: 150 thru 2500
Size: 2" thru 24"

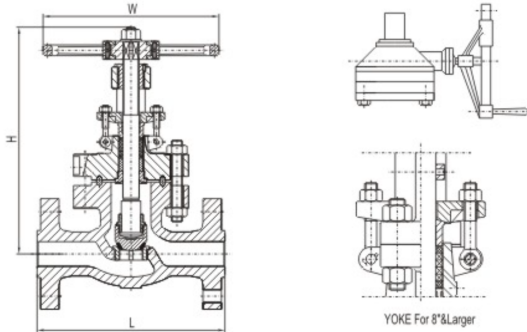
Design and Manufacturing Standards

Valve Design: ASME B16.34 / API 6D API 623

Flange Dimensions: ASME B16.5/ ASME B16.47

Face to Face Dimensions: ASME B16.10 / B16.25

Tested In Accordance with: API 598



Bolted Bonnet, OS&Y
Screwed-in back seat,
Rising Stem,
Swivel Disc

NOTE: Gear operator is available with " * "

CLASS 1500								
SIZE	inches	2"	3"	4"	6"	8"	10"	12"
	mm	50	80	100	150	200	250	300
L RF/BW	mm	368	470	546	705	832	991	1130
L-RTJ	mm	371	473	549	711	842	1000	1146
H	mm	550	582	795	1278	1960	2450	2904
W	mm	350	500	*500	*610	*610	*810	*810

CLASS 2500								
SIZE	inches	2"	3"	4"	6"	8"	10"	
	mm	50	80	100	150	200	250	
L RF/BW	mm	451	578	673	914	1022	1270	
L-RTJ	mm	454	514	584	683	927	1038	
H	mm	730	885	1060	1906	2466	3108	
W	mm	400	*560	*610	*610	*610	*810	*810

NOTE: The data provided in this document is subject to change without notice, Please contact SVI for current drawing when order.

"*" is with gear operator