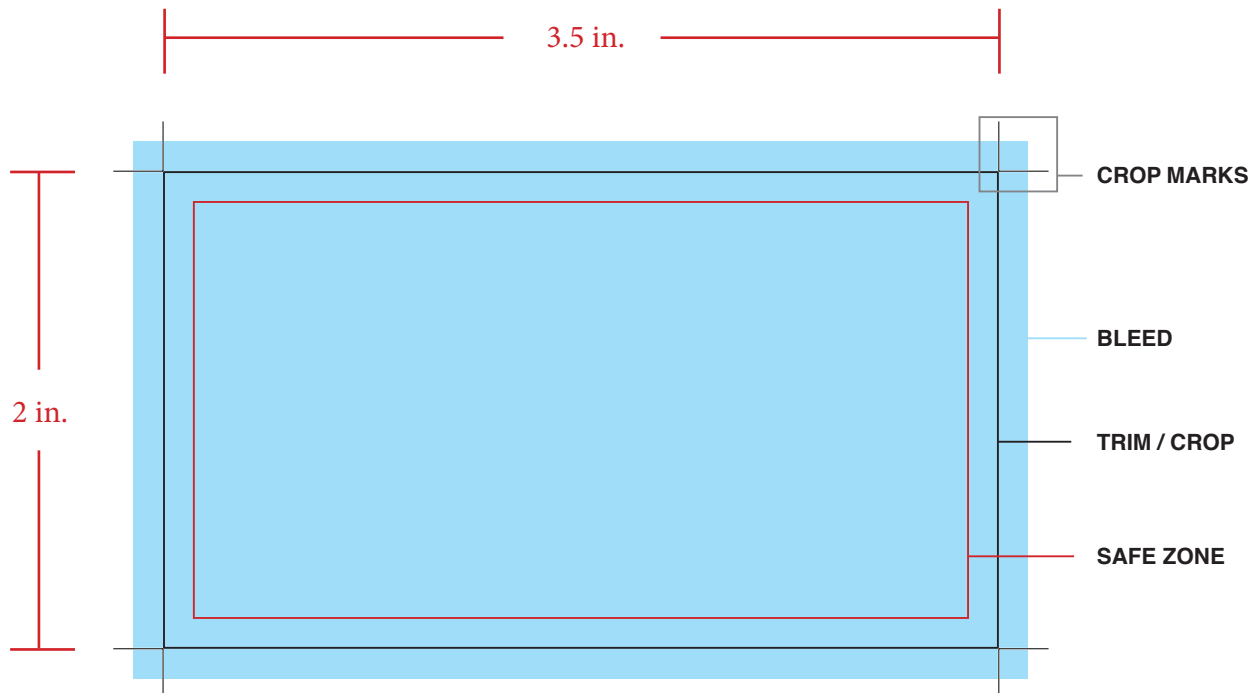


BUSINESS CARD SET-UP WITH BLEED

BLEED: An extra amount of printed image which extends beyond the trim/crop edge of the sheet or page.

TRIM/CROP: indicates the edge of the page where the product will be cut.

SAFE ZONE: Images or elements you want to make sure will not be cut off.



FINAL SIZE AFTER TRIM/CROP = **3.5in x 2in**

SAFE ZONE = **3.25in x 1.75in**

BLEED SIZE = add **0.125in** on all sides

RESOLUTION = **300dpi**

SIZE WITH BLEED = **3.75in x 2.25in**

FILE FORMAT = **PDF , JPG, TIF, AI, PSD, INDD**