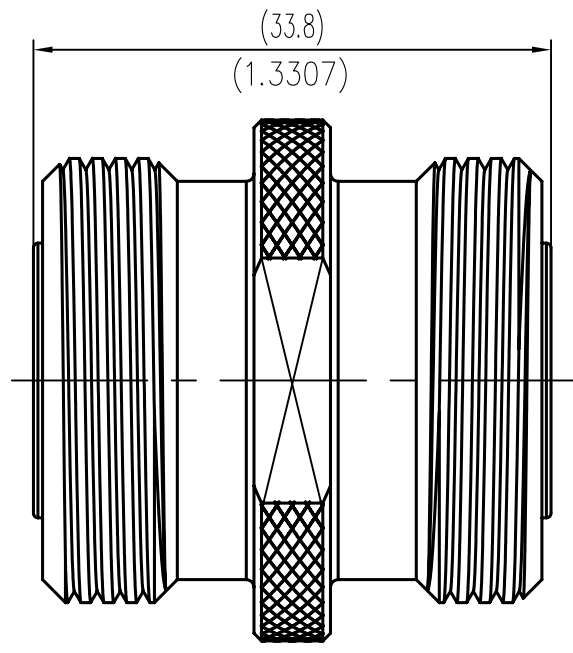


1		2		3		4		5		6	
TECHNICAL SPECIFICATION		METERIAL				FINISH					
FREQUENCY RANGE		DC~6GHz		Inner conductor		Beryllium copper		Gold			
IMPEDANCE		≥10000MΩ		Insulator		PEI		—			
OPERATING TEMP		-55℃~+155℃		Body		Stainless steel 303		Passivated			
VSWR		≤1.08		Nut		Stainless steel 303		Passivated			




UNLESS OTHERWISE SPECIFIED
 1) ALL DIMENSIONS ARE AFTER PLATING.
 2) BREAK CORNERS & EDGES.005 R. MAX.
 3) CHAM. 1ST & LAST THREADS.
 4) SURFACE ROUGHNESS 63 √ MIL-STD-10.
 5) DIA S ON COMMON CENTERS TO BE CONCENTRIC WITHIN .004 T.I.R.
 6) REMOVE ALL BURRS

DRAWN:

CHECKED:

STANDARDIZATION:

APPROVED:



LANJIAN ELECTRONICS, INC

DWG.NO. 7-16-FF

TITLE: SIZE 2:1

CAGE CODE: SHEET 1/1

PROPRIETARY
 THE INFORMATION CONTAINED IN THIS DRAWING IS THE SOLE PROPERTY OF LANJIAN, INC. WITHOUT THE WRITTEN PERMISSION OF LANJIAN ELECTRONICS, INC IS PROHIBITED.

A

B

C

D

A

B

C