



**PARTS LIST  
FOR SINGLE DOOR  
REACH-IN DUAL ECONOMY  
MODELS**



**CR/F1-EC**

Model Number Breakdown: CR3-EC

C = Entrée

R = Refrigerator

F = Freezer

1 = Number of doors on the unit

EC = EConomy Model

Serial Number Date Code:

Example: 1509ENTH00123

The first two numbers are the Year, 15 = 2015

The second two number are the Month, 09 = September

ENTH = Entrée

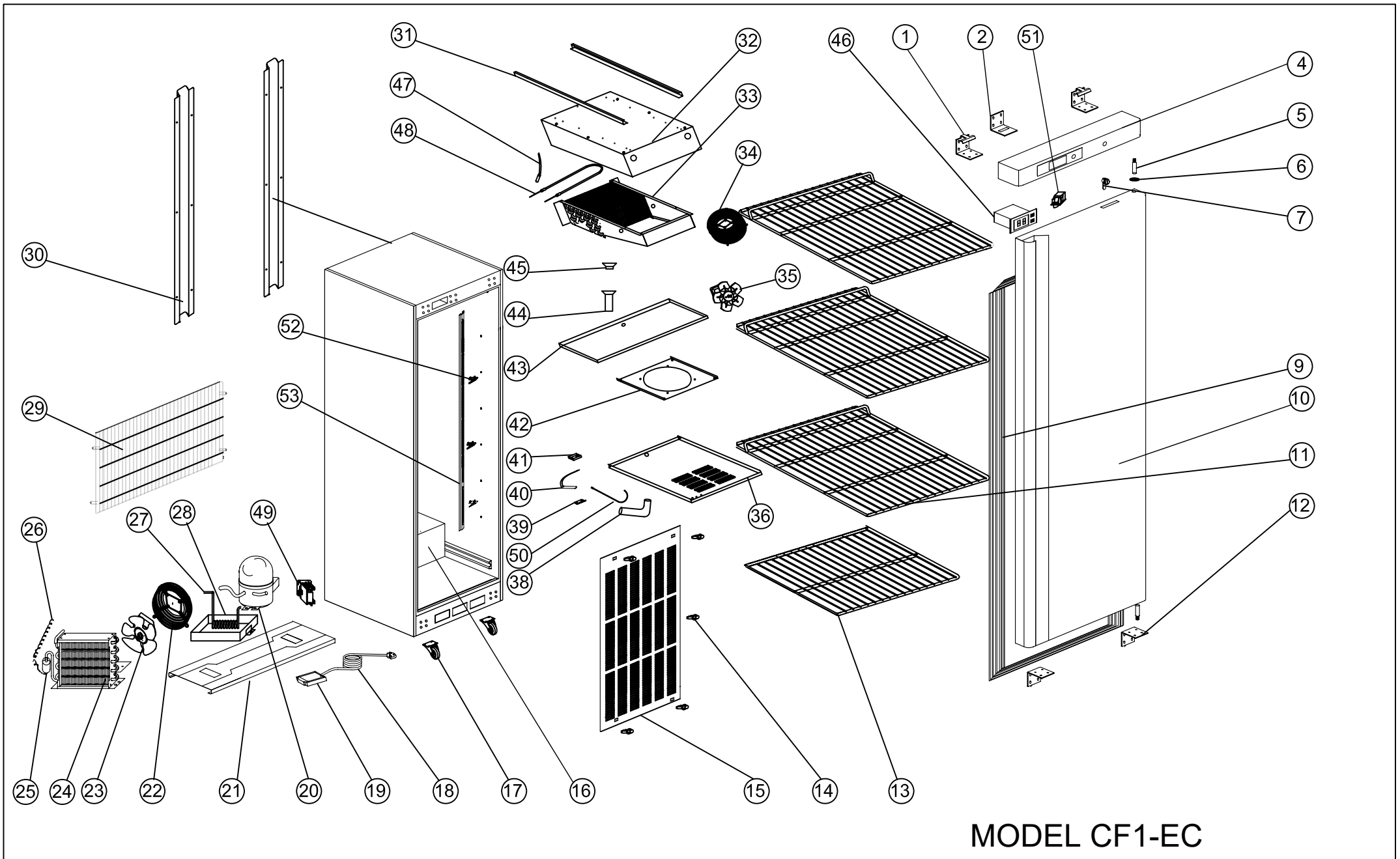
The last FIVE numbers are the numerical sequence of units built that month. In the example this unit would have been the one hundred twenty third unit.

To order parts that are non-warranty, you can contact our parts distributor, Whaley Parts and Supply @ 855-394-8933.

Or, go to their website: [www.whaleyfoodservice .com](http://www.whaleyfoodservice.com)

On Whaley's website you can key in the part number, it will tell you the current list price and how many are available.

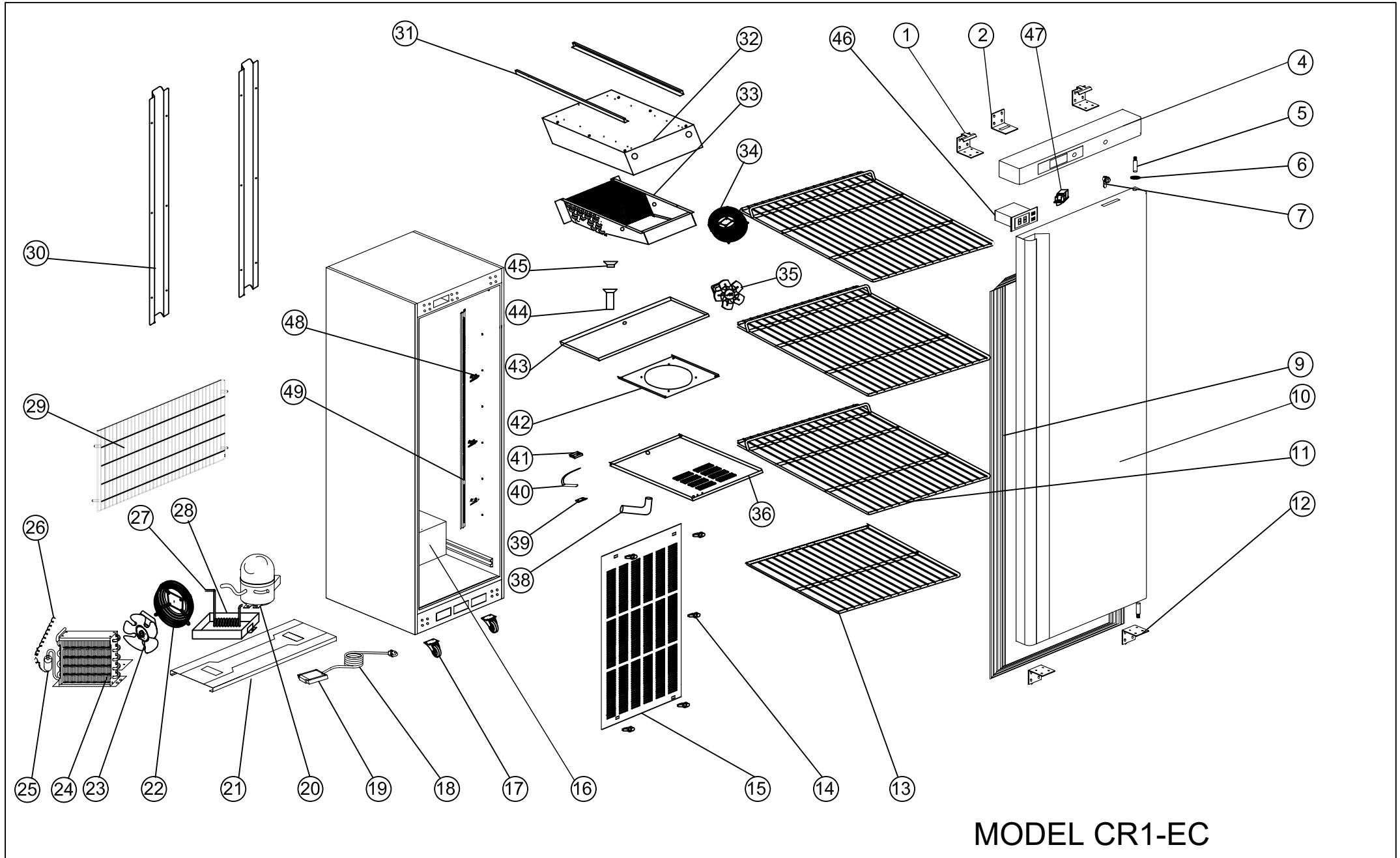
If you have any questions, you can contact the Entrée Service Department at 570-752-4602, or email: [john@entree.biz](mailto:john@entree.biz)



MODEL CF1-EC

# MODEL CF1-EC

NO.	PART #	DESCRIPTION	Qty
1	HR0330	UP HINGE (L/R)	2
2	HR0340A	HOOK OF LOCK	1
4	HR0001	FRONT PANEL	1
5	HR0326	HINGE AXIS	2
6	H00327B	HINGE BUSHING	1
7	H00340	LOCK	1
9	HR0325	GASKET	1
10	HR0324	DOOR	1
11	H00309	SHELF	3
12	HR0333	LOWER HINGE	2
13	H00309B	BOTTOM SHELF	1
14	HR0002	EVAPORATOR COVER CLIP	5
15	HR0003	AIR FLOW CONDUCT BOARD	1
16	NA	BODY	
17	H02316	SWIVEL CASTER W/BRAKE	2
	H02317	SWIVEL CASTER W/O BRAKE	2
18	C2194684	PLUG	1
19	H00215	CABLE CONNECTOR	1
20	H00023F	COMPRESSOR	1
21	NA	UNITE BOARD	
22	H00113	BASKETC GUARD GRILLS	1
23	H00120	CONDENSER FAN	1
24	H01347	CONDENSER	1
25	H00341	FILTER DRIER	1
26	H01306	CAPILLARY	1
27	NA	EVAPORATE PIPE	
28	C30009	WATER BOX	1
29	HR0313	UNITE ROOM GRILLS	1
30	NA	PLASTIC COVER	
31	NA	EVAPORATOR FIXED BOARD SUPPORT	
32	NA	FIXED BOARD OF EVAPORATOR	
33	HR0349	EVAPORATOR COIL	1
34	H01122	WALL RING	1
35	H00114	EVAPORATOR FAN MOTER W/BLADE	1
36	NA	EVAPORATOR FAN COVER	
38	H00336	WATER PIPE	1
39	H00335	SENSOR FIXED CLIP	1
40	H00205	SENSOR	1
41	NA	PROBE PADDING	1
42	NA	EVAPORATOR FAN SUPPORT	1
43	HR0141	EVAPORATOR WATER PAN	1
44	G30002	DRAIN CONNECTOR (FEMALE)	1
45	G00001	DRAIN CONNECTOR (MALE)	1
46	H00204	THERMOSTAT	1
47	H00207	PROTECTOR FOR HEATING ELEMENT	1
48	HR0201	DEFFROST HEATING ELEMENT	1
49	H00220	CONTACTOR	1
50	H00211	WATER PIPE HEATER	1
51	C10002	DOOR SWITCH	1
52	C3234860	PILASTER CLIP	12
53	HR0342	PILASTER SUPPORT	4



MODEL CR1-EC

# MODEL CR1-EC

No.	PART #	Description	Qty
1	HR0330	UPPER HINGE (L/R)	2
2	HR0340A	HOOK OF LOCK	1
4	HR0001	FRONT PANEL	1
5	HR0326	HINGE AXIS	2
6	H00327B	HINGE BUSHING	1
7	H00340	LOCK	1
9	HR0325	GASKET	1
10	HR0324	DOOR	1
11	H00309	SHELF	3
12	HR0333	LOWER HINGE	2
13	H00309B	BOTTOM SHELF	1
14	HR0002	EVAPORATOR COVER CLIP	5
15	HR0003	AIR FLOW CONDUCT BOARD	1
16	NA	BODY	
17	H02316	SWIVEL CASTER W/BRAKE	2
	H02317	SWIVEL CASTER W/O BRAKE	2
18	C2194684	PLUG	1
19	H00215	CABLE CONNECTOR	1
20	H00020F	COMPRESSOR	1
21	NA	UNITE BOARD	
22	H00113	BASKETC GUARD GRILLS	1
23	H00120	CONDENSER FAN	1
24	H01347	CONDENSER	1
25	H00341	FILTER DRIER	1
26	H01306	CAPILLARY	1
27	NA	EVAPORATE PIPE	
28	C30009	WATER BOX	1
29	HR0313	UNITE ROOM GRILLS	1
30	NA	PLASTIC COVER	
31	NA	EVAPORATOR FIXED BOARD SUPPORT	
32	NA	FIXED BOARD OF EVAPORATOR	
33	HR0349	EVAPORATOR COIL	1
34	H01122	WALL RING	1
35	H00114	EVAPORATOR FAN MOTER W/BLADE	1
36	NA	EVAPORATOR FAN COVER	
38	H00336	WATER PIPE	1
39	H00335	SENSOR FIXED CLIP	1
40	H00205	SENSOR	1
41	NA	PROBE PADDING	
42	NA	EVAPORATOR FAN SUPPORT	
43	HR0141	EVAPORATOR DRIP PAN	1
44	G30002	DRAIN CONNECTOR (FEMALE)	1
45	G00001	DRAIN CONNECTOR (MALE)	1
46	H00219	THERMOSTAT	1
47	C10002	DOOR SWITCH	1
48	C3234860	PILASTER CLIP	12
49	HR0342	PILASTER SUPPORT	4



Entrée Service Department Contact info:

John Spock

914 Belair Drive

Berwick PA 18603

1-570-752-4602

Email: [john@entree.biz](mailto:john@entree.biz)

Website: <http://www.entree.biz>

For non-Warranty Parts please call our Parts Distributor,



WHALEY PARTS & SUPPLY™

137 Cedar Road

Lexington SC 29073

1-855-394-8933

7 AM to 8 PM EST

<http://www.whaleyfoodservice.com/>

email: [entreeparts@whaleyparts.com](mailto:entreeparts@whaleyparts.com)