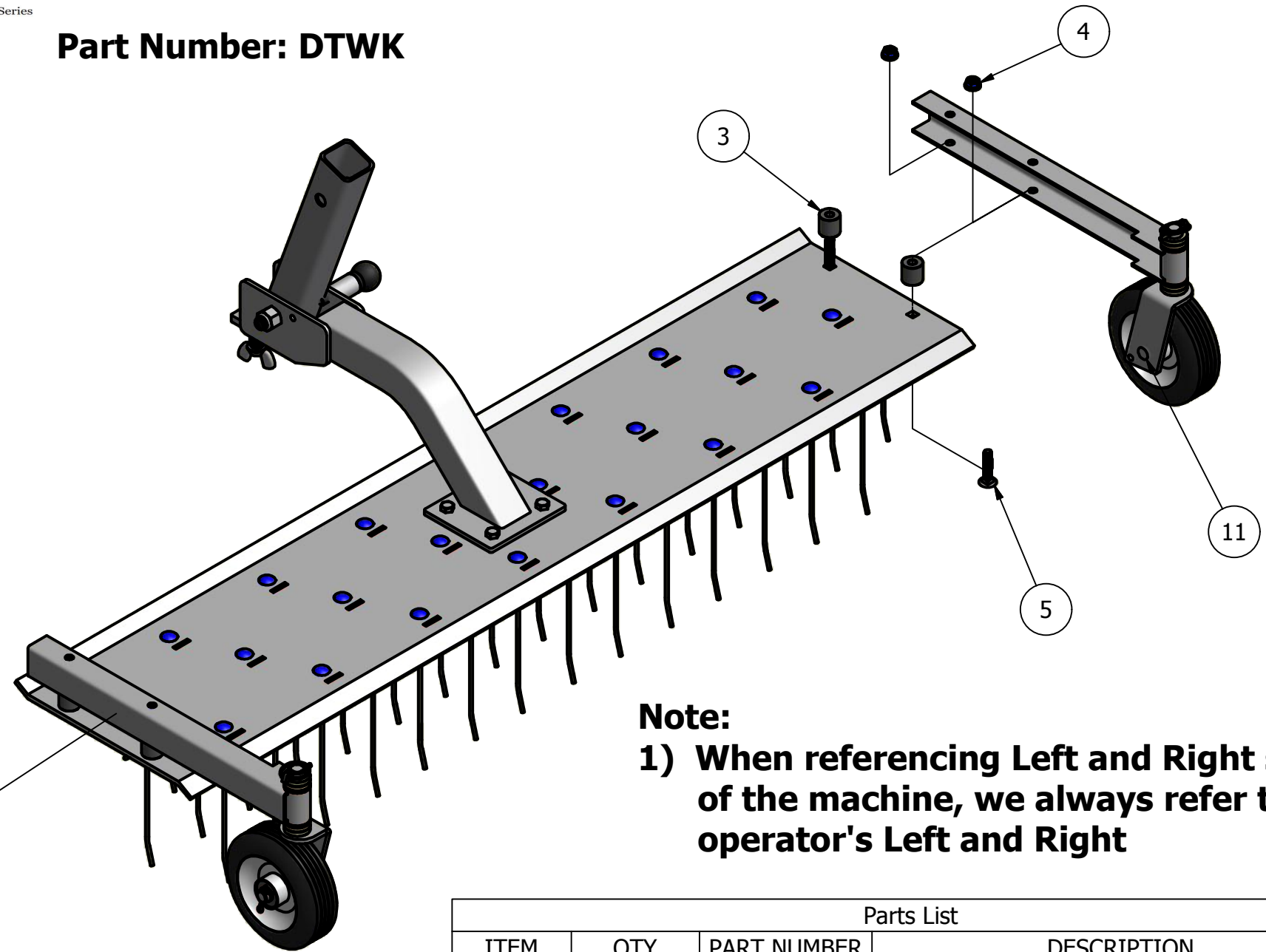
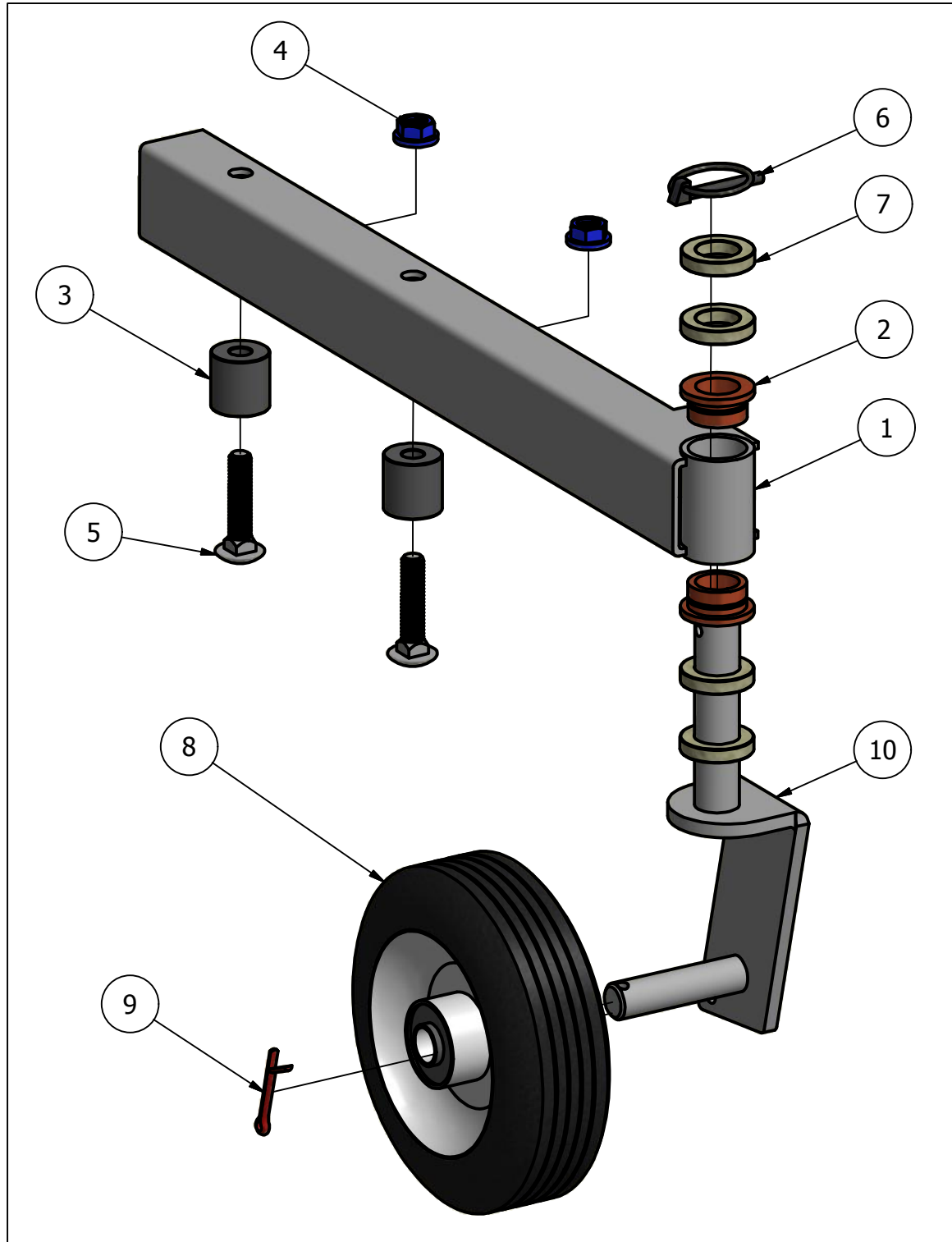


# Dethatcher Wheel Kit

Part Number: DTWK



**Note:**

**1) When referencing Left and Right sides of the machine, we always refer to the operator's Left and Right**

Parts List			
ITEM	QTY	PART NUMBER	DESCRIPTION
1	2	69860100	Caster Arm
2	4	69860101	Flange Bushing
3	4	69860102	Mounting Spacer
4	4	69730014	3/8-16 Flanged Nut
5	4	69860103	3/8-16 X 1.75" LG Square Neck Carriage Bolt
6	2	69860104	Lynch Pin
7	8	69860106	Wheel Spacer
8	2	69860107	6 X 2 Semi-Pneumatic Wheel
9	2	69860108	Cotter Pin
10	1	69860109	Right Caster Yoke
11	1	69860110	Left Caster Yoke

REVISION HISTORY	
REV	DATE
B	3/24/2019