



*torquUp*

**A TOOL WITH  
MULTIPLE PERSONALITIES**

 **ESVATE**<sup>®</sup>  
CORPORATION

Perú: [ventas@esvate.com](mailto:ventas@esvate.com) / +51 959370697  
[www.esvate.com](http://www.esvate.com)

**TX LOW PROFILE TORQUE WRENCH**

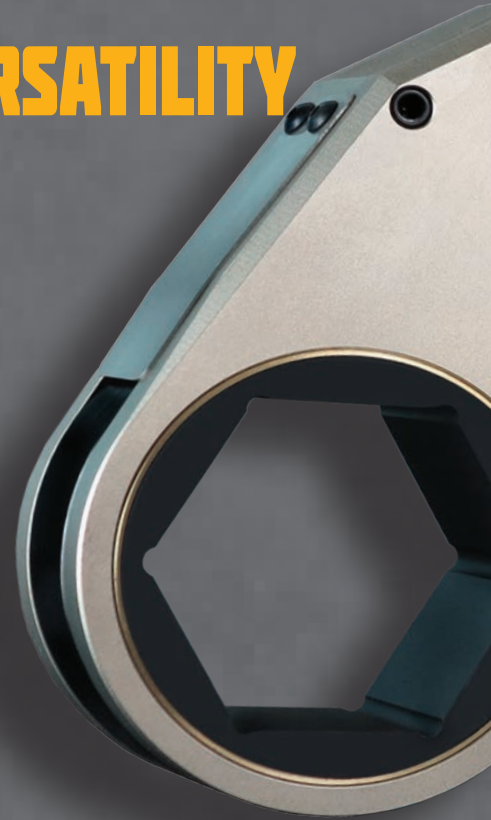
# TX

## LOW PROFILE HYDRAULIC TORQUE WRENCH

### THE WRENCH WITH VERSATILITY

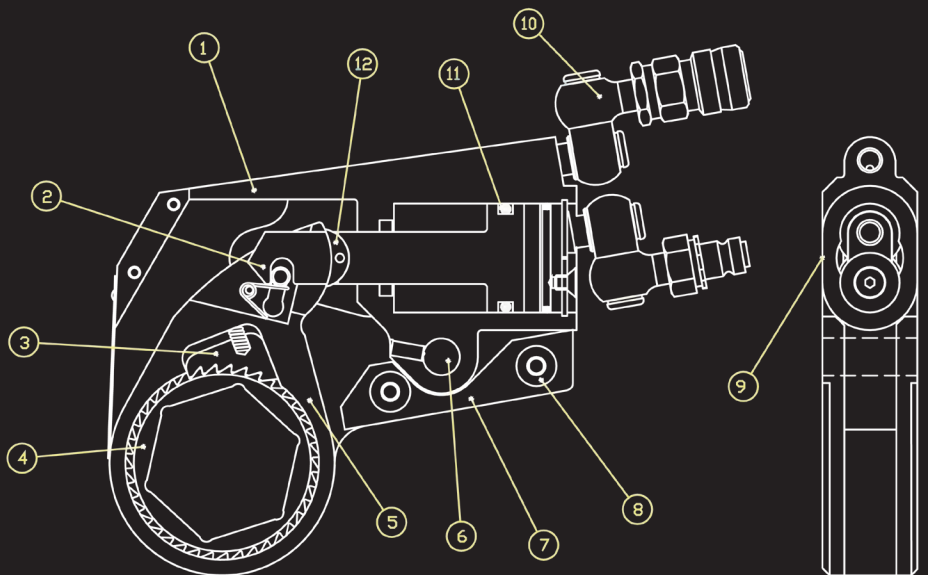
THE WORLD'S MOST CHALLENGING BOLTING JOBS REQUIRE A HYDRAULIC TORQUE WRENCH THAT CAN GO "FLAT OUT." APPLICATIONS WITH RESTRICTIONS ABOVE, AROUND AND BEHIND THE NUT DEMAND A TOOL THAT CAN GET FLAT AND GET ON THE JOB. THE TX SERIES WAS THE FIRST FLAT HYDRAULIC WRENCH TO CONQUER ALL LIMITATIONS ... AND THEN SOME!!

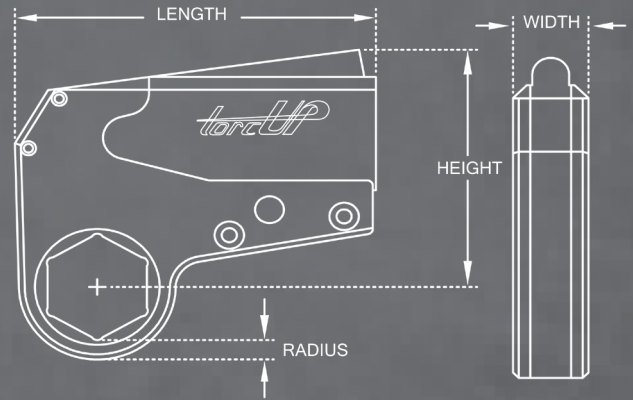
INDUSTRY NOT ONLY REQUIRES A TOOL THAT GETS IN ... BUT ONE THAT WORKS BEYOND THE JOB-SITE EXPECTATION. WITH 20 YEARS OF PROVEN SUCCESS IN THE HARSHTEST ENVIRONMENTS, THE ONLY WRENCH TRULY CAPABLE OF GOING "FLAT OUT" IS THE TORCUP TX SERIES.



### THE POWER INSIDE

1. PATENTED "PEANUT-SHAPED" CYLINDER
2. ENGAGEMENT ROD
3. NEVER-LOCK DRIVE PAWL
4. MULTI-TOOTH RATCHET
5. ONE PIECE DRIVE PLATE
6. LINK PIN
7. IN-LINE REACTION PAD
8. STEEL ALIGNMENT PIN
9. COMPLETELY FLAT DESIGN
10. 360° X 360° SWIVEL
11. PROPRIETARY PISTON SEAL
12. SLIDER PREVENTS WEAR OF PISTON

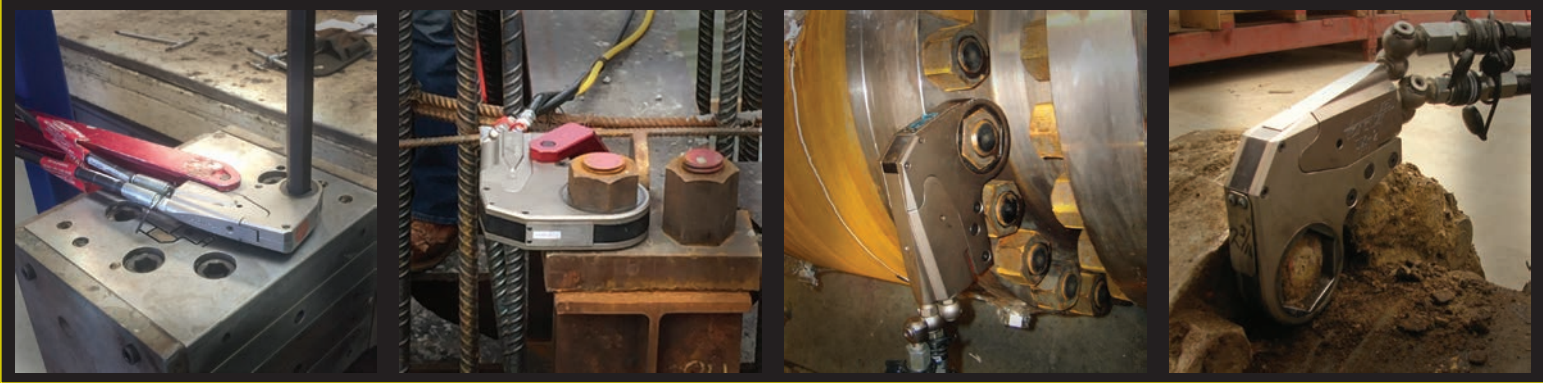




WWW.TORCUP.COM

**POWER ENGINEERED**

MODEL NUMBER	TX-1	TX-2	TX-4	TX-8	TX-16	TX-32	TX-45
MIN. TORQUE (ft/lbs)	45	192	395	830	1560	3220	4850
MAX. TORQUE (ft/lbs)	560	1928	3950	8630	16600	35650	47380
MIN. TORQUE (nm)	61	260	535	1125	2115	4365	6575
MAX. TORQUE (nm)	759	2614	5355	11699	22503	48327	64239
OUTPUT ACCURACY	+/-3%	+/-3%	+/-3%	+/-3%	+/-3%	+/-3%	+/-3%
REPEATABILITY	100%	100%	100%	100%	100%	100%	100%
DUTY CYCLE	100%	100%	100%	100%	100%	100%	100%
CYLINDER WEIGHT (lbs)	1.0	3.5	6.0	11.7	16.0	26.0	29.0
CYLINDER WEIGHT (kgs)	0.5	1.6	2.7	5.0	7.3	11.5	13.0
LINK WEIGHT FROM (lbs)	1.0	2.4	5.4	11.9	21.0	29.0	29.0
LINK WEIGHT TO (lbs)	1.0	3.5	7.6	14.5	28.0	39.5	39.5
LINK WEIGHT FROM (kgs)	0.45	1.0	2.4	5.5	9.5	13.0	13.0
LINK WEIGHT TO (kgs)	0.45	1.5	3.4	6.5	13.0	17.9	17.9
LENGTH (in)	4.37	6.45	7.87	10.18	12.93	15.80	16.75
LENGTH (mm)	111.0	163.8	199.9	258.6	328.4	401.3	425.5
WIDTH (in)	0.78	1.25	1.63	2.05	2.50	3.24	4.88
WIDTH (mm)	19.8	31.8	41.4	52.1	63.5	82.3	124.0
RADIUS RANGE FROM (in)	0.24	0.37	0.41	0.56	0.68	0.96	0.96
RADIUS RANGE TO (in)	0.45	0.59	0.77	0.93	1.68	1.82	1.82
RADIUS RANGE FROM (mm)	6.2	9.6	10.5	14.2	17.1	24.3	24.3
RADIUS RANGE TO (mm)	11.4	15.0	18.7	21.0	25.9	44.2	44.2
HEIGHT (in)	3.25	4.0	5.6	7.0	7.58	9.5	10.28
HEIGHT (mm)	82.6	101.6	142.2	177.8	192.5	241.3	261.1
HEX RANGE FROM	1/2"/13mm	3/4"/19mm	1"/27mm	1 7/8"/49mm	2 3/16"/55mm	3 1/8"/80mm	3 1/8"/80mm
HEX RANGE TO	2"/50mm	2 9/16"/65mm	3 1/8"/80mm	4 5/8"/120mm	5 5/16"/135mm	7 7/8"/200mm	7 7/8"/200mm



**TX** SERIES  
LOW PROFILE  
HYDRAULIC TORQUE WRENCH

**FLAT** - ACCESS THE INACCESSIBLE  
**PROVEN** - USED ON JOB-SITES WORLDWIDE  
**SUPERIOR** - AIRCRAFT QUALITY ALLOY

LOW POINT  
REACTION PADDLE



CLOSED SPANNER  
WRENCH



INLINE  
REACTION  
ARM



HEX TO SQUARE  
DRIVE ADAPTOR



TOOL HANDLE



HEX REDUCER



**Worldwide Headquarters**

1025 Conroy Place  
Easton, PA 18040 USA  
TOLL FREE: 1-888-TorcUP-1  
TELEPHONE: 1-610-250-5800  
FAX: 1-610-250-2700

[www.torcup.com](http://www.torcup.com)



**TX SERIES**

Made In USA

Seven Models From 45 ft/lbs to  
64,000 ft/lbs

Every Unit Calibrated In  
ISO17025 Laboratory



CARRYING  
CASE

