

CABALO

Where performance meets design.

Z66E17/S66348 Berkeley



Features:

MAP 800 grams

17.3" height from floor to the top of the bowl rim

1.28 GPF/4.8L high efficient single flush

Anti-siphon quiet refill valve, non ballcock style

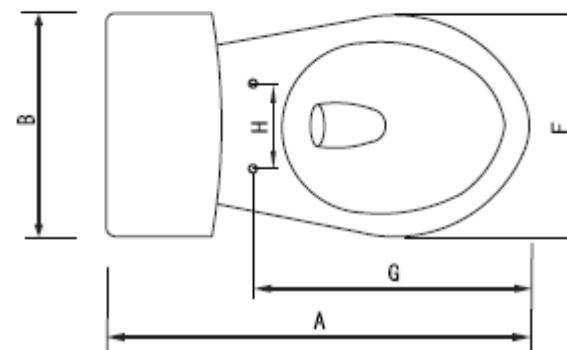
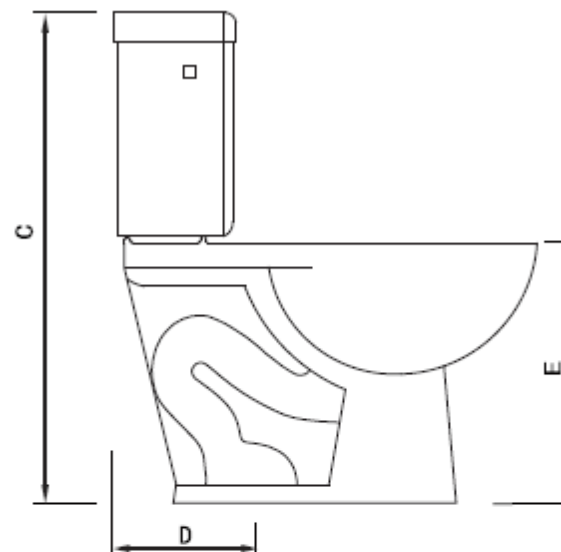
Jet siphon action bowl flush design

3" flapper, 12" rough in

All in one package, not included water supply line

With lined tank

Soft close seat cover



	Inch	mm
A	28.2	715
B	15.3	390
C	32.3	820
D	12	304
E	17.3	440
F	14.4	365
G	18	457
H	5.5	140