

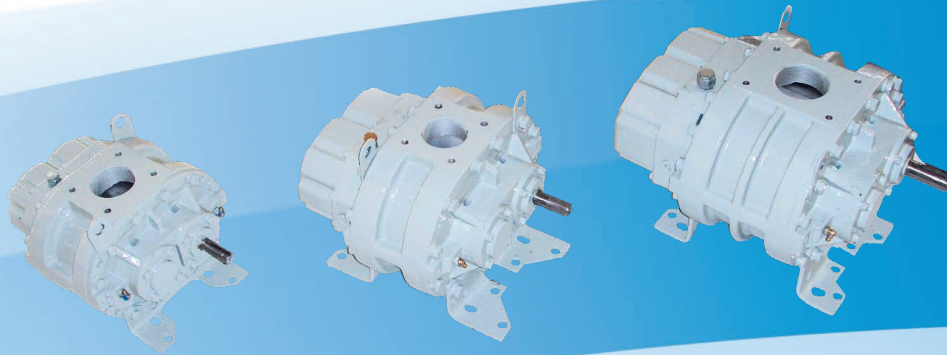


# EurusBlower®

## ZZ Series

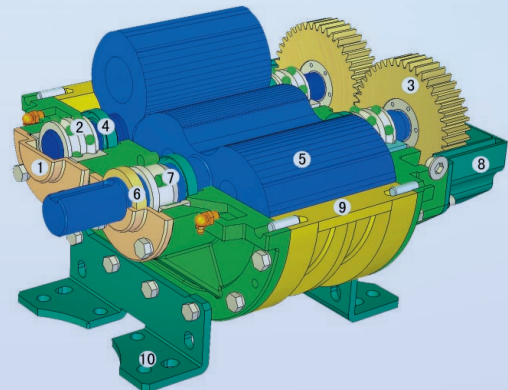
Bi-lobe Positive Displacement Blowers

**Eurus Blower: Built For a Long Life**



- Drop-in replacement for Roots URAI, Sutorbilt Legend and Tuthill Competitor models.
- Precision machined and balanced two lobe rotor.
- Ground alloy steel shaft.
- Keyless locking assemblies for gear mounting.
- Oversized bearings
- Forged alloy steel spur gears.
- Oil lubricated gear side and grease lubricated drive side.
- Versatile configurations.

1. Drive side bearings are grease lubricated
2. Oversized bearings
3. Precision spur timing gears
4. Viton lip seal
5. Ductile iron rotor
6. Viton lip seal
7. Roller drive bearing (Except ZZ-2)
8. Aluminum oil cover
9. Cast iron housing
10. Vertical and horizontal mounting feet Configurations

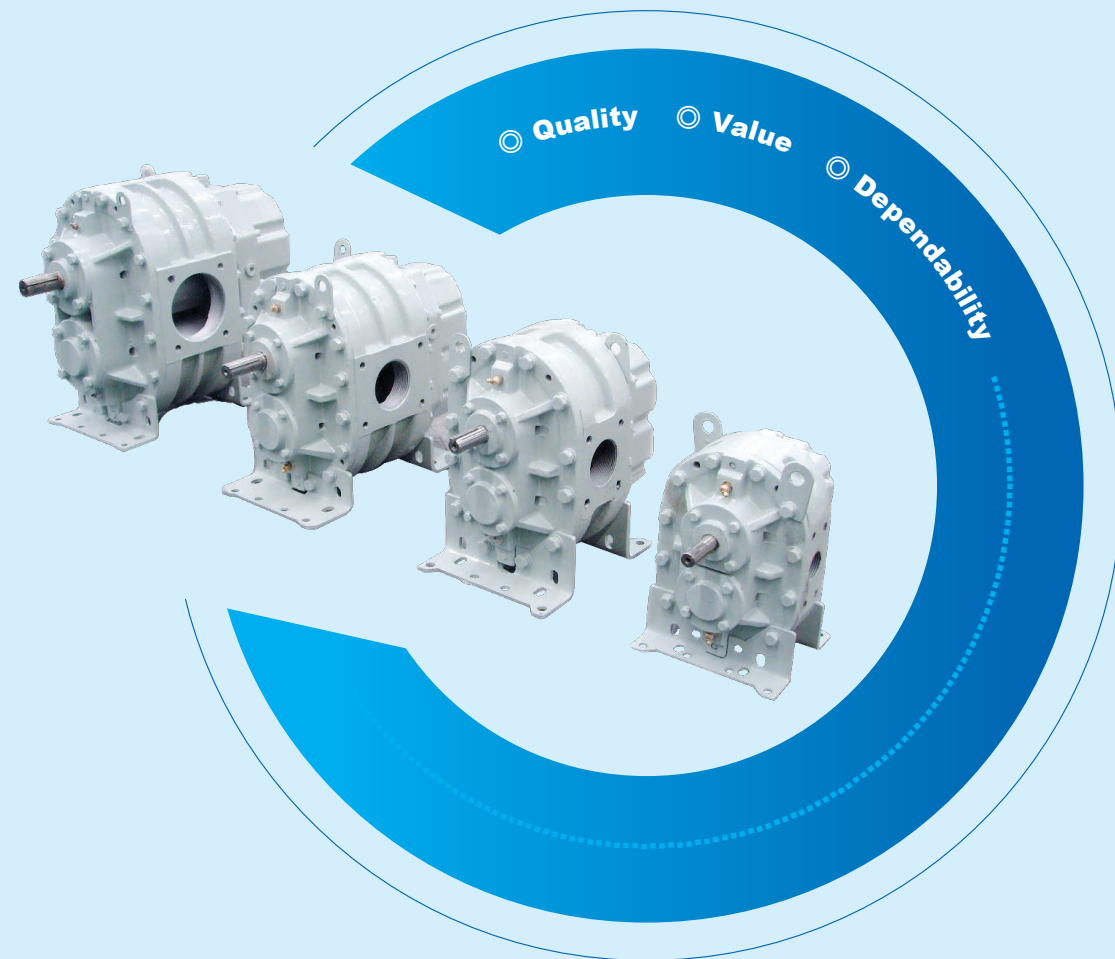


**SHANDONG ZHANGQIU BLOWER CO., LTD.**

## Over 40 Years Experience

Shandong Zhangqiu Blower Co., Ltd. was founded in 1968 on the principles of providing quality, value and dependability. After 30 years of establishing a solid foundation in China, they began to export their blowers in the late 1990's. The company quickly became known as a leader in blower technology across international markets.

In 2008, Shandong Zhangqiu Blower Co., Ltd. decided to take its 40 years of experience and establish Eurus Blower in southeastern Virginia--one of the fastest growing industrial areas on the east coast of the United States.



## ZZ Series Pressure Performance Data

Model	2 PSIG		3 PSIG		4 PSIG		5 PSIG		6 PSIG		7 PSIG		
	Blower Speed (RPM)	Inlet Flow (CFM)	Shaft Power (BHP)	Inlet Flow (CFM)	Shaft Power (BHP)	Inlet Flow (CFM)	Shaft Power (BHP)	Inlet Flow (CFM)	Shaft Power (BHP)	Inlet Flow (CFM)	Shaft Power (BHP)	Inlet Flow (CFM)	Shaft Power (BHP)
ZZ2L	1160	27	0.4	23	0.7	19	0.9	15	1.1				
	2800	94	1.1	89	1.6	85	2.1	82	2.7	79	3.2	76	3.8
	3560	125	1.3	120	2	116	2.7	113	3.4	110	4	107	4.7
	5275	194	2	190	3	186	4	182	5.1	179	6.1	176	7.1
ZZ3L	1160	88	1.1	81	1.7	74	2.3	69	2.8	64	3.4	60	4
	1760	148	1.7	141	2.5	134	3.4	131	4.3	124	5.1	120	6
	2770	251	2.7	244	4	240	5.4	233	6.8	230	8.2	223	9.5
	3600	339	3.5	329	5.2	325	7.1	318	8.9	315	10.6	311	12.5
ZZ4L	860	100	1.4	91	2	82	2.7	75	3.4	68	4.1	62	4.8
	1760	251	2.8	244	4.3	233	5.6	226	7.1	219	8.6	216	9.9
	2620	399	4.2	389	6.3	382	8.4	371	10.6	368	12.7	360	14.9
	3600	565	5.8	555	8.7	548	11.7	541	14.6	534	17.4	527	20.4
ZZ5LA	700	184	2.2	172	3.3	162	4.4	153	5.6	145	6.7	138	7.8
	1500	452	4.8	442	7.2	431	9.7	421	12.1	413	14.5	406	16.9
	2100	654	6.7	643	10.2	633	13.5	625	16.9	615	20.4	608	23.7
	2850	908	9.1	898	13.8	887	18.4	876	23.1	869	27.6	862	32.3
ZZ6L	1170	750	8.5	729	12.2	710	15.9	694	19.6	679	23.3	666	27
	1760	1178	13.8	1156	19.4	1138	24.9	1121	30.5	1107	36.1	1096	41.6
	1930	1301	16.2	1279	22.3	1261	28.4	1245	34.5	1230	40.6	1216	46.7
	2350	1605	21.6	1584	29	1565	36.4	1549	43.9	1534	51.3	1521	58.7
ZZ7L	1170	1278	14.4	1247	20.5	1221	26.7	1199	32.9	1178	39.1		
	1465	1635	18.3	1604	26	1578	33.7	1555	41.5	1535	49.2		
	1760	1992	23	1961	32.3	1935	41.6	1912	50.9	1892	60.2		
	2050	2342	29.4	2312	40.2	2286	51.1	2263	61.9	2242	72.7		

Performance based on inlet air at standard temperature of 68°F, an ambient pressure of 14.7psia and 36% relative humidity. For performance at non-standard conditions, contact your authorized Eurus Blower representative.

## ZZ Series Pressure Performance Data

Model	2 PSIG		3 PSIG		4 PSIG		5 PSIG		6 PSIG		7 PSIG		9 PSIG		10 PSIG		12 PSIG		13 PSIG		14 PSIG		
	Inlet Flow (CFM)	Shaft Power (BHP)	Inlet Flow (CFM)	Shaft Power (BHP)	Inlet Flow (CFM)	Shaft Power (BHP)	Inlet Flow (CFM)	Shaft Power (BHP)	Inlet Flow (CFM)	Shaft Power (BHP)	Inlet Flow (CFM)	Shaft Power (BHP)	Inlet Flow (CFM)	Shaft Power (BHP)	Inlet Flow (CFM)	Shaft Power (BHP)	Inlet Flow (CFM)	Shaft Power (BHP)	Inlet Flow (CFM)	Shaft Power (BHP)	Inlet Flow (CFM)	Shaft Power (BHP)	
ZZ2M	1160	9	0.2	6	0.3																		
	2800	43	0.6	40	0.8	1.1	1.4	35	1.4	33	1.6	31	1.9	27	2.4								
	3560	59	0.7	56	1	1.4	1.7	51	1.7	48	2.1	46	2.4	43	3.1	41	3.5						
	5275	95	1	91	1.5	2.1	2.6	86	2.6	84	3.1	82	3.6	78	4.6	76	5.2	73	6.2				
ZZ3M	1160	47	0.7	42	1	38	1.3	35	1.6	31	1.9	28	2.3										
	1760	81	0.9	78	1.5	71	1.9	67	2.4	64	3	61	3.5	57	4.4								
	2770	141	1.5	137	2.3	132	3.1	129	3.9	125	4.7	122	5.5	117	7	114	7.8	110	9.4				
	3600	191	2	184	3	180	4	177	5.1	173	6	170	7.1	166	9.1	163	10.2	159	12.2				
ZZ4M	860	68	0.9	61	1.4	55	1.9	50	2.3	45	2.8	41	3.3										
	1760	173	1.9	166	2.8	159	3.9	152	4.8	148	5.8	145	6.8	138	8.7	134	9.7						
	2620	272	2.8	265	4.3	258	5.8	254	7.2	247	8.7	244	10.2	237	13	233	14.5						
	3600	385	3.9	378	5.9	371	7.9	368	9.9	360	11.9	357	13.9	350	17.8	346	19.8						
ZZ5MA	700	105	1.3	97	2	90	2.7	84	3.3	78	4												
	1500	265	2.8	258	4.3	251	5.8	244	7.2	237	8.6	233	10.1	223	13	219	14.3	212	17.3	209	18.8		
	2100	385	4	378	6	371	8	364	10.1	357	12.1	353	14.1	343	18.1	339	20.2	332	24.3	329	26.3		
	2850	537	5.5	527	8.2	523	10.9	516	13.7	509	16.5	505	19.2	495	24.7	491	27.5	484	33	481	35.7		
ZZ6M	1170	393	4.5	379	6.5	368	8.4	357	10.4	348	12.4	340	14.4	324	18.4	317	20.3	304	24.3	298	26.3	292	28.3
	1760	623	7.5	609	10.5	597	13.5	587	16.5	578	19.5	569	22.5	554	28.4	547	31.4	533	37.4	527	40.4	521	43.4
	1930	689	8.4	675	11.7	663	15	653	18.2	644	21.5	635	24.8	620	31.3	613	34.6	599	41.2	593	44.4	587	47.7
	2350	852	12	838	16	827	20	816	24	807	27.9	798	31.9	783	39.9	776	43.9	763	51.9	757	55.8	751	59.8
ZZ7M	1170	776	9.2	756	12.9	739	16.7	724	20.5	711	24.3	698	28	676	35.6	666	39.4						
	1465	994	11.3	974	16.1	957	20.8	942	25.5	929	30.2	917	34.9	894	44.4	884	49.1						
	1760	1212	14	1192	19.7	1175	25.4	1160	31.1	1147	36.7	1135	42.4	1112	53.8	1102	59.4						
	2050	1426	18.1	1406	24.7	1389	31.3	1375	37.9	1361	44.5	1349	51.1	1327	64.3	1316	70.9						

Performance based on inlet air at standard temperature of 68°F, an ambient pressure of 14.7psia and 36% relative humidity. For performance at non-standard conditions, contact your authorized Eurus Blower representative.

## ZZ Series Vacuum Performance Data

Model	Blower Speed (RPM)	2" HG		4" HG		6" HG		8" HG		10" HG		12" HG		14" HG	
		Inlet Flow (CFM)	Shaft Power (BHP)	Inlet Flow (CFM)	Shaft Power (BHP)	Inlet Flow (CFM)	Shaft Power (BHP)	Inlet Flow (CFM)	Shaft Power (BHP)	Inlet Flow (CFM)	Shaft Power (BHP)	Inlet Flow (CFM)	Shaft Power (BHP)	Inlet Flow (CFM)	Shaft Power (BHP)
ZZ2L	1160	33	0.2	26	0.4	20	0.7	14	0.9						
	2800	95	0.4	88	0.9	81	1.5	78	2	71	2.5				
	3560	127	0.7	120	1.3	113	2	106	2.7	103	3.4	95	4		
	4165	152	0.7	145	1.5	138	2.3	131	3.1	127	3.9	120	4.7		
ZZ3L	5275	194	0.9	187	1.9	184	3	177	3.9	170	5	166	5.9		
	1160	97	0.5	86	0.8	76	1.2	67	1.6	58	2.1				
	1760	156	0.8	145	1.6	138	2.5	127	3.4	117	4.2	110	5.1		
	2770	262	1.3	251	2.7	240	4	230	5.4	223	6.7	212	8		
ZZ4L	3600	346	1.7	336	3.5	325	5.2	318	7	307	8.7	297	10.5	286	12.2
	860	116	0.7	103	1.3	91	2	80	2.7	69	3.3				
	1760	269	1.3	254	2.7	244	4.2	233	5.5	219	7	209	8.3		
	2620	413	2	399	4.2	389	6.2	378	8.3	368	10.3	353	12.5	343	14.6
ZZ5LA	3600	580	2.8	565	5.6	555	8.6	544	11.4	534	14.3	519	17.2	509	20
	700	199	1.1	181	2.2	165	3.3	150	4.4	135	5.5				
	1500	466	2.3	449	4.7	435	7.1	421	9.5	403	11.8	389	14.2		
	2100	671	3.2	650	6.6	636	9.9	622	13.3	608	16.6	590	20	572	23.3
ZZ6L	2850	922	4.4	905	9	891	13.5	876	18.1	859	22.5	845	27.1	827	31.6
	1170	777	4.8	744	8.4	716	12	688	15.7	661	19.3	632	22.9		
	1760	1205	8.1	1172	13.6	1143	19.1	1116	24.5	1088	30	1059	35.5	1028	40.9
	1930	1328	10	1295	16	1266	22	1239	28	1212	34	1183	40	1151	46
ZZ7L	2350	1632	14	1599	21.3	1571	28.6	1543	35.9	1516	43.2	1487	50.5	1455	57.8
	1170	1316	8.1	1269	14.1	1229	20.2	1191	26.3	1152	32.3	1112	38.4		
	1465	1673	10.4	1626	18	1586	25.6	1548	33.2	1509	40.8	1468	48.4		
	1760	2029	13.5	1983	22.7	1943	31.8	1905	40.9	1866	50	1825	59.2		
2050	2380	18.4	2334	29	2294	39.6	2255	50.3	2217	60.9	2176	71.5			

Performance based on inlet air at standard temperature of 68°F and 36% relative humidity, and discharge at an ambient pressure of 14.7psia. For performance at non-standard conditions, contact your authorized Eurus Blower representative.

# ZZ Series Vacuum Performance Data

Model	2" HG		4" HG		6" HG		8" HG		10" HG		12" HG		14" HG		15" HG		16" HG	
	Inlet Flow (CFM)	Shaft Power (BHP)	Inlet Flow (CFM)	Shaft Power (BHP)	Inlet Flow (CFM)	Shaft Power (BHP)	Inlet Flow (CFM)	Shaft Power (BHP)	Inlet Flow (CFM)	Shaft Power (BHP)	Inlet Flow (CFM)	Shaft Power (BHP)	Inlet Flow (CFM)	Shaft Power (BHP)	Inlet Flow (CFM)	Shaft Power (BHP)	Inlet Flow (CFM)	Shaft Power (BHP)
	14	0.1	9	0.2														
ZZ2M	46	0.3	39	0.5	35	0.8	32	1.1	28	1.3								
	60	0.3	57	0.7	50	0.9	46	1.3	42	1.6	39	2						
	74	0.4	67	0.8	64	1.2	60	1.6	57	2	50	2.4	46	2.8				
ZZ3M	95	0.4	92	0.9	85	1.5	81	2	78	2.5	74	3	67	3.5	64	3.8		
	52	0.3	44	0.6	37	1	30	1.3										
	85	0.4	78	0.9	71	1.3	64	1.9	57	2.4	50	2.8						
ZZ4M	145	0.7	138	1.5	131	2.3	124	3.1	117	3.8	110	4.6	103	5.4				
	194	0.9	187	1.9	180	3	173	3.9	166	5	159	5.9	152	7	145	7.5		
	77	0.5	66	0.9	57	1.4	48	1.8	39	2.3								
ZZ5MA	180	0.9	170	1.9	159	2.8	152	3.8	141	4.7	134	5.6						
	279	1.3	269	2.8	262	4.2	251	5.6	244	7.1	233	8.4	223	9.9				
	392	1.9	382	3.9	375	5.8	364	7.8	357	9.8	346	11.7	336	13.7	329	14.6		
ZZ6M	113	0.6	100	1.3	89	1.9	78	2.6	67	3.3								
	272	1.3	258	2.8	247	4.2	237	5.6	226	7	216	8.4	201	9.9				
	392	1.9	382	3.9	368	5.9	357	7.9	346	9.9	336	11.8	322	13.8	315	14.9		
ZZ7M	544	2.7	530	5.4	519	8	509	10.7	498	13.4	488	16.1	474	18.8	466	20.2	459	21.6
	410	2.4	389	4.4	371	6.3	354	8.3	337	10.2	318	12.2	298	14.1	288	15.1	276	16.1
	640	4.5	619	7.4	601	10.4	583	13.3	566	16.2	548	19.1	528	22.1	517	23.5	505	25
ZZ7L	706	5.1	685	8.3	667	11.5	650	14.7	632	18	614	21.2	594	24.4	583	26	571	27.6
	869	7.9	848	11.9	830	15.8	813	19.7	795	23.6	777	27.5	757	31.4	746	33.4	735	35.3
	800	5.3	770	9	744	12.7	719	16.4	694	20.1	668	23.9	639	27.6	623	29.4	607	31.3
ZZ7L	1018	6.5	988	11.2	962	15.8	937	20.4	912	25.1	886	29.7	867	34.4	841	36.7	825	39
	1236	8.3	1206	13.8	1180	19.4	1155	25	1130	30.6	1104	36.1	1075	41.7	1059	44.5	1043	47.3
	1451	11.3	1420	17.8	1394	24.3	1370	30.8	1344	37.3	1318	43.8	1289	50.3	1274	53.5	1257	56.8

Performance based on inlet air at standard temperature of 68°F and 36% relative humidity, and discharge at an ambient pressure of 14.7psia. For performance at non-standard conditions, contact your authorized Eurus Blower representative.

# ZZ Series Dimensional Data

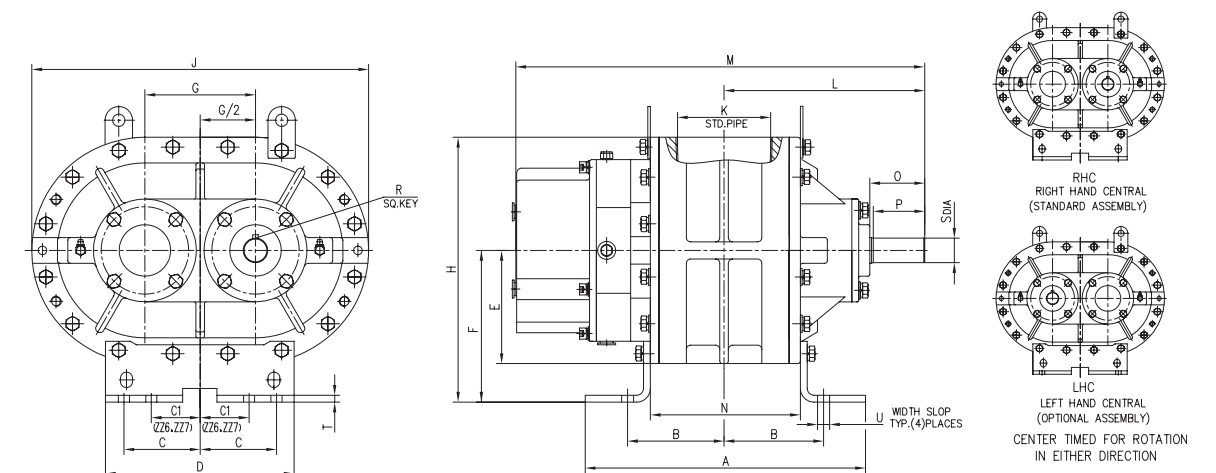
## Horizontal Configurations (Vertical Flow)

SIZE	Wt.	CONN.	A	B	C	C1	D	E	F	G	H	J
ZZ2M	48	S	7.52	2.01	2	-	6.69	3.33	3.74	2.756	7.07	9.25
ZZ2L	60	S	9.49	2.99	2	-	6.69	3.33	3.74	2.756	7.07	9.25
ZZ3M	88	S	10.91	3.25	2.87	-	7.87	3.96	5.00	3.543	8.96	11.30
ZZ3L	111	S	13.58	4.59	2.87	-	7.87	3.96	5.00	3.543	8.96	11.30
ZZ4M	132	S	10.83	4.15	3.0	-	7.99	4.27	6.26	4.035	10.53	12.42
ZZ4L	162	S	13.39	5.43	3.0	-	7.99	4.27	6.26	4.035	10.53	12.42
ZZ5MA	217	S	12.48	4.55	3.5	-	8.66	5.20	6.97	5.079	12.17	15.47
ZZ5LA	285	S	16.54	6.57	3.5	-	8.66	5.20	6.97	5.079	12.17	15.47
ZZ6M	364	S	19.96	5.79	7	4	15.75	6.2	8.74	5.98	14.94	17.99
ZZ6L	529	F	26.93	9.27	7	4	15.75	7.5	8.74	5.98	16.24	17.99
ZZ7M	661	F	25.08	7.70	9	5.5	20.08	8.50	11	7.09	19.50	22.09
ZZ7L	849	F	31.89	11.10	9	5.5	20.08	8.50	11	7.09	19.50	22.09

SIZE	Wt.	CONN.	K	L	M	N	O	P	R	S	T	U
ZZ2M	48	S	1	5.20	10.08	2.76	1.93	1.83	3/16	0.625	0.16	0.43x0.59
ZZ2L	60	S	2	6.18	12.05	4.72	1.93	1.83	3/16	0.625	0.16	0.43x0.59
ZZ3M	88	S	2	6.24	12.81	4.45	1.95	1.88	3/16	0.75	0.24	0.55x1.10
ZZ3L	111	S	2.5	7.58	15.49	7.13	1.95	1.88	3/16	0.75	0.24	0.55x1.10
ZZ4M	132	S	2.5	7.99	16.02	6.34	2.36	2.25	3/16	0.875	0.24	0.55x1.02
ZZ4L	162	S	3	9.27	18.58	8.90	2.36	2.25	3/16	0.875	0.24	0.55x1.02
ZZ5MA	217	S	4	9.19	18.76	6.89	2.50	2.40	1/4	1.125	0.24	0.55x1.10
ZZ5LA	285	S	4	11.22	22.81	10.94	2.50	2.40	1/4	1.125	0.24	0.55x1.10
ZZ6M	364	S	5	10.81	22.40	9.06	2.93	2.76	5/16	1.375	0.39	0.79x1.34
ZZ6L	529	F	6	14.31	29.37	16.02	2.93	2.76	5/16	1.375	0.39	0.79x1.34
ZZ7M	661	F	6	12.83	26.81	11.69	3.27	3.15	3/8	1.562	0.39	0.79x1.65
ZZ7L	849	F	8	16.24	33.62	18.50	3.27	3.15	3/8	1.562	0.39	0.79x1.65

S=Threaded connections standard NPT. F=Flange connections.  
 Inlet and outlet connections are the same type and size.  
 Dimensions are in inches. Weights are in pounds.



# ZZ Series Dimensional Data

## Vertical Configurations (Horizontal Flow)

Model	Wt.	CONN.	A	B	C	D	E	F	G	H	J	K
ZZ2M	48	S	6.18	2.01	1.5	6.69	3.50	4.88	6.26	9.51	6.65	1
ZZ2L	60	S	8.15	2.99	1.5	6.69	3.50	4.88	6.26	9.51	6.65	2
ZZ3M	88	S	9.33	3.25	2.5	7.87	4.49	6.26	8.03	11.91	7.91	2
ZZ3L	111	S	12.01	4.59	2.5	7.87	4.49	6.26	8.03	11.91	7.91	2.5
ZZ4M	132	S	12.64	4.15	3.00	7.99	4.48	6.50	8.51	12.71	8.54	2.5
ZZ4L	162	S	15.20	5.43	3.00	7.99	4.48	6.50	8.51	12.71	8.54	3
ZZ5MA	217	S	12.48	4.55	3.50	8.66	5.47	8.01	10.55	15.75	10.39	4
ZZ5LA	285	S	16.54	6.57	3.50	8.66	5.47	8.01	10.55	15.75	10.39	4
ZZ6M	364	S	17.24	5.79	4.0	15.75	8.76	11.75	14.74	20.75	12.4	5
ZZ6L	529	F	24.21	9.27	4.0	15.75	8.76	11.75	14.74	20.75	15	6
ZZ7M	661	F	21.93	7.70	5.5	20.08	10.96	14.5	18.04	25.54	17	6
ZZ7L	849	F	28.74	11.10	5.5	20.08	10.96	14.5	18.04	25.54	17	8

Model	Wt.	CONN.	L	M	N	O	P	R	S	T	U
ZZ2M	48	S	5.20	10.08	2.76	1.93	1.83	3/16	0.625	0.16	0.43x0.59
ZZ2L	60	S	6.18	12.05	4.72	1.93	1.83	3/16	0.625	0.16	0.43x0.59
ZZ3M	88	S	6.24	12.81	4.45	1.95	1.88	3/16	0.75	0.24	0.55x1.10
ZZ3L	111	S	7.58	15.49	7.13	1.95	1.88	3/16	0.75	0.24	0.55x1.10
ZZ4M	132	S	7.99	16.02	6.34	2.36	2.25	3/16	0.875	0.24	0.55x1.02
ZZ4L	162	S	9.27	18.58	8.90	2.36	2.25	3/16	0.875	0.24	0.55x1.02
ZZ5MA	217	S	9.19	18.76	6.89	2.50	2.40	1/4	1.125	0.24	0.55x1.10
ZZ5LA	285	S	11.22	22.81	10.94	2.50	2.40	1/4	1.125	0.24	0.55x1.10
ZZ6M	364	S	10.81	22.40	9.06	2.93	2.76	5/16	1.375	0.39	0.79x1.34
ZZ6L	529	F	14.31	29.37	16.02	2.93	2.76	5/16	1.375	0.39	0.79x1.34
ZZ7M	661	F	12.83	26.81	11.69	3.27	3.15	3/8	1.562	0.39	0.79x1.65
ZZ7L	849	F	16.24	33.62	18.50	3.27	3.15	3/8	1.562	0.39	0.79x1.65

S=Threaded connections standard NPT. F=Flange connections.

Inlet and outlet connections are the same type and size.

Dimensions are in inches. Weights are in pounds.

