

Swing-Mounted Delivery With Optional Assistant Instrument Arm

- BDS-2575 Delivery System
- BDS-0050 Assistant Instrument Arm (For B-50 Chairs. Use Model BDS-0020 with B-20+ Chairs)

Doctor's Control

- 3 Handpiece automatic control
- Individual handpiece pressure adjustment
- Individual handpiece water adjustment
- Master handpiece air coolant adjustment
- Non-retracting water coolant with master ON/OFF
- Handpiece flush system
- 4-hole Midwest style straight gray tubing
- 3-way syringe
- Wet/Dry foot control
- Stainless steel tray with non-slip pad

Arm System

- Balance arm with air brake
- Delivery swing arm with city/bottled water system

Chair Adapter

- Chair adapter for B-20+ and B-50

Junction Box

- J-Box with air and water floor utilities
- 5' Umbilical

Assistant Instruments (option)

- Rear-mounted swing arm
- 4-position crescent shaped instrument holder
- 3-way syringe, HVE and saliva ejector
- 1/4" water QD with outlet flow control
- Solids collection canister with disposable screen



*BDS-2575 Delivery System
Shown with BDS-0050 assistant instrument arm option on a B-50 chair*

Swing-Mounted Delivery With Optional Monitor Mount & Optional Assistant Instrument Arm

- BDS-2575 Delivery System
- BDS-2589 Monitor Arm & FPMM
- BDS-0050 Assistant Instrument Arm (For B-50 Chairs. Use Model BDS-0020 with B-20+ Chairs)

Doctor's Control

- 3 Handpiece automatic control
- Individual handpiece pressure adjustment
- Individual handpiece water adjustment
- Master handpiece air coolant adjustment
- Non-retracting water coolant with master ON/OFF
- Handpiece flush system
- 4-hole Midwest style straight gray tubing
- 3-way syringe
- Wet/Dry foot control
- Stainless steel tray with non-slip pad

Arm System

- Balance arm with air brake
- Delivery swing arm with city/bottled water system
- Monitor swing arm (BDS-2589 & FPMM options)

Chair Adapter

- Chair adapter for B-20+ and B-50

Junction Box

- J-Box with air and water floor utilities
- 5' Umbilical

Assistant Instrument Arm (option)

- Rear-mounted swing arm
- 4-position crescent shaped instrument holder
- 3-way syringe, HVE and saliva ejector
- 1/4" water QD with outlet flow control
- Solids collection canister with disposable screen



*BDS-2575 Delivery System
Shown with optional accessories : Unit mounted touchpad, BDS-0050 assistant instrument arm,
BDS-2589 monitor arm & FPMM flat panel monitor mount on a B-50 chair (Monitor not available)*

CONFIGURATION AND MODEL NUMBER

Components	Over-the-Patient Delivery				Cuspidor(only) w/ Asst. Instr.
	BDS-2500	BDS-2505	BDS-2510	BDS-2515	BDS-2520
Doctor's control	■	■	■	■	
Post mount utility section (PMU) with city/bottle water system	■	■	■	■	■
Gravity drain cuspidor	■	■			■
Telescoping assistant instrument arm with syringe, HVE & SE	■		■		■
Dental light	(*Note)	(*Note)	(*Note)	(*Note)	(**Note)

(*Note) Choose from the following:

- BDS-2535 Clesta light with curved light post
- AL-511T Clesta light and BDS0012 24" light post
- AL-711M ECO-Sys light and BDS0012 24" light post

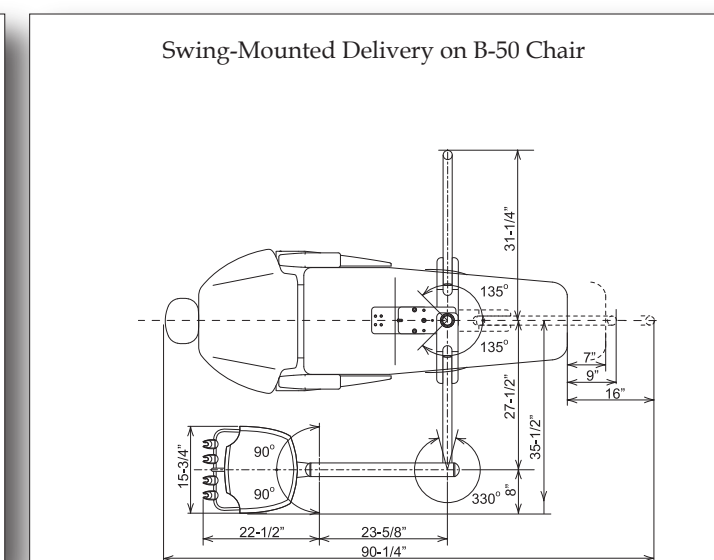
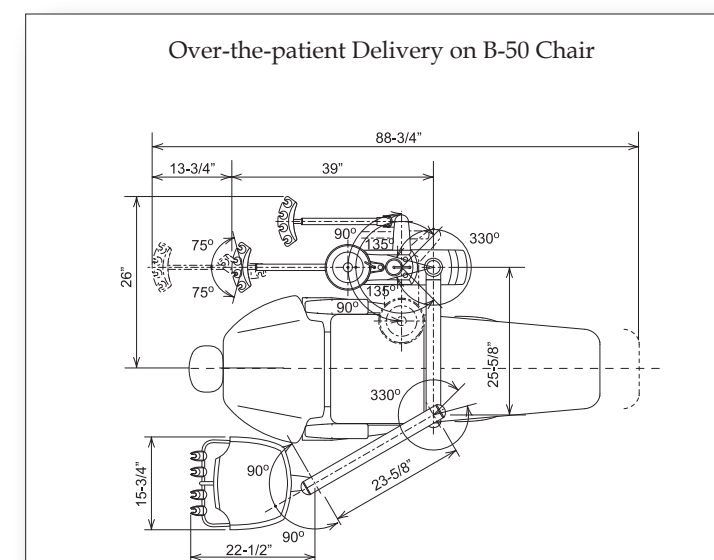
(**Note) FHAA03A0 Light post base assembly required for mounting all lights onto BDS-2520 Cuspidor.

Components	Swing-Mounted Delivery		Monitor Arm (For BDS-2575)		Assistant Instrument Arm For B-20+ Chair For B-50 Chair	
	BDS-2570	BDS-2575	BDS-2589	BDS-0020	BDS-0050	
Doctor's control	■	■				
Left/ right swing arm with city/bottle water system	■	■				
Left/ right Clesta light	■					
Left/ right rear mounted assistant instrument arm				■	■	
Left/ right monitor swing arm			(***Note)			

(***Note) Order BDS-2589 monitor swing arm and FPMM monitor mount for attaching to BDS-2575 Delivery only.

For stand-alone monitor arm-without delivery, choose BDS-2590 with pivot assembly, chair adapter & FPMM monitor mount.

DIMENSIONS



Over-the-Patient Delivery Configurations

X-Calibur over-the-patient delivery systems are available in 4 separate configurations to meet the needs of traditional dentistry and beyond

FLEXIBILITY

DURABILITY

ERGONOMICS

RELIABILITY

Over-the-Patient Delivery, With Cuspidor

- BDS-2500 With Assistant Instruments
- BDS-2505 Without Assistant Instruments

Doctor's Control

- 3 Handpiece automatic control
- Individual handpiece pressure adjustment
- Individual handpiece water adjustment
- Master handpiece air coolant adjustment
- Non-retracting water coolant with master ON/OFF
- Handpiece flush system
- 4-hole Midwest style straight gray tubing
- 3-way syringe
- Wet/Dry foot control
- Stainless steel tray with non-slip pad
- Remote toggles for cuspidor cupfill & bowl rinse

Arm System

- Balance arm with air brake
- Horizontal arm

Post Mounted Utility with Cuspidor

- Post mounted utility (PMU) side box
- City/bottled water system
- Swing-away cuspidor upper section
- Removable glass bowl for easy cleaning
- Push buttons for cupfill and bowl rinse
- Adjustable timed bowl rinse
- 1/4" Water QD with outlet flow control
- 1/4" Air QD
- Solids collection canister with disposable screen

Assistant Instruments

- Telescoping assistant instrument arm
- 4-position crescent shaped instrument holder
- 3-way syringe, HVE and saliva ejector

Chair Adapter

- Chair adapter for B-20+ and B-50

Junction Box

- 5' umbilical
- J-Box with air and water floor utilities

Light (option)

- Choose Clesta or ECO-Sys lights



*BDS-2500 Delivery System with Cuspidor & Telescoping Assistant Instrument Arm
Shown with touchpad option, BDS-2535 curved post version of Clesta light option, mounted on a B-20+ chair*

Over-the-Patient Delivery, Without Cuspidor

- BDS-2510 With Assistant Instruments
- BDS-2515 Without Assistant Instruments

Doctor's Control

- 3 Handpiece automatic control
- Individual handpiece pressure adjustment
- Individual handpiece water adjustment
- Master handpiece air coolant adjustment
- Non-retracting water coolant with master ON/OFF
- Handpiece flush system
- 4-hole Midwest style straight gray tubing
- 3-way syringe
- Wet/Dry foot control
- Stainless steel tray with non-slip pad

Arm System

- Balance arm with air brake
- Horizontal arm

Post Mounted Utility

- Post mounted utility (PMU) side box
- City/bottled water system
- 1/4" Water QD with outlet flow control
- 1/4" Air QD
- Solids collection canister with disposable screen

Assistant Instruments

- Telescoping assistant instrument arm
- 4-position crescent shaped instrument holder
- 3-way syringe, HVE and saliva ejector

Chair Adapter

- Chair adapter for B-20+ and B-50

Junction Box

- 5' umbilical
- J-Box with air and water floor utilities

Light (option)

- Choose Clesta or ECO-Sys lights



*BDS-2510 Delivery System with Telescoping Assistant Instrument Arm (No Cuspidor)
Shown with AL-511T Clesta light option and BDS0012 24" light post option, mounted on a B-20+ chair*

Swing-Mounted Delivery Configurations

X-Calibur swing-mounted delivery systems meet the needs of practices that require flexibility to reposition operator set-up from the right side of the chair to the left side within seconds

Swing-Mounted Delivery, With Clesta Light and Optional Assistant Instruments

- BDS-2570 Delivery with Clesta Light
- BDS-0050 Assistant Instrument Arm (For B-50 Chairs. Use Model BDS-0020 with B-20+ Chairs)

Doctor's Control

- 3 Handpiece automatic control
- Individual handpiece pressure adjustment
- Individual handpiece water adjustment
- Master handpiece air coolant adjustment
- Non-retracting water coolant with master ON/OFF
- Handpiece flush system
- 4-hole Midwest style straight gray tubing
- 3-way syringe
- Wet/Dry foot control
- Stainless steel tray with non-slip pad

Arm System

- Balance arm with air brake
- Delivery swing arm with city/bottled water system
- Light swing arm assembly

Light

- Clesta light with touchless ON/OFF activation
- 3 intensities, including composite mode setting
- 2600 FTC, 2000 FTC and 740 FTC illumination
- 5000°K "mid-day light" high setting

Chair Adapter

- Chair adapter for B-20+ and B-50

Junction Box

- J-Box with air and water floor utilities
- 5' Umbilical

Assistant Instruments (option)

- Rear-mounted swing arm
- 4-position crescent shaped instrument holder
- 3-way syringe, HVE and saliva ejector
- 1/4" water QD with outlet flow control
- Solids collection canister with disposable screen



*BDS-2570 Swing-Mounted Delivery System with Swing-Mounted Clesta Light
Shown with BDS-0050 rear-mounted assistant's instrument arm & 90-175 additional HVE options, mounted on a B-50 chair*