

U7 Series Higher Education Seating



U7 Series

Folding paper, folding out the beauty of life.

Origami is an ancient and creative art form that can create infinite possibilities with just one piece of paper. Origami is not only a form of entertainment, but also a way of thinking. It can cultivate a person's sense of space, logic, and beauty.

This chair is an extension of origami art, incorporating the essence of origami into furniture design, showcasing a simple and unique style. This chair does not require any extra decoration, it is itself a work of art that can adapt to any environment and atmosphere, giving people a relaxed and joyful feeling.

This chair is also a reflection of attitude towards life. It tells us that life is like a blank sheet of paper, and we can shape it with our own thoughts and actions, making it more beautiful and meaningful.



U7 FUNCTION



U7-1B



U7-1A



U7-2B



U7-2A



U7 FUNCTION

ABS Writing tablet

Plastic board, size ABS writing board uses a plastic board with dimensions 520*330mm

Rotational structure

Folding and unfolding of the writing board. It uses an aluminum alloy rotary mechanism with one-button unlocking for convenience.

Back frame

Uses high-density molded sponge seat cushion, density 40 degrees, hardness 30, comfortable and breathable.

Writing board support

Back frame

PP + 25% brand new fiberglass, complies with international environmental protection requirements, 480mm back width, 504mm seat depth, 504mm seat depth, 445mm seat height, 765mm top-back height

Nylon chassls, mold Injection molding

Nylon chassis, molded by injection molding, dimensions are 265*265*70 mm

Gas strut

National Standard Level 2 Pneumatic Rod. Coating: 100 spray or electroplating, stroke

Five star foot

340 aluminum alloy five-star base. 330 nylon five-star base.

Caster wheel

50 mm nylon wheel , black PU surface, load capacity 100 kg, passed BIFMA testing.



U7 FUNCTION



Back frame

New PP + 25% fiberglass construction meeting international environmental standards, with dimensions of 480 mm width, 504 mm seat width and depth, 445 mm seat height, and 765 mm overall height.

Nylon chassis, mold Injection molding

Injection-molded nylon base with dimensions of 265 × 265 × 70 mm.

Cushion

High-density molded polyurethane foam upholstery with density 40 and hardness 30, designed to be breathable and comfortable.

Five star foot

Aluminum alloy five-star base with a 400 mm electroplated foot ring and a 260 mm Class-3 gas lift.

Caster wheel

50 mm nylon casters with a black PU surface, supporting up to 100 kg and compliant with BIFMA testing.



U7 FUNCTION



U7-4



U7-5



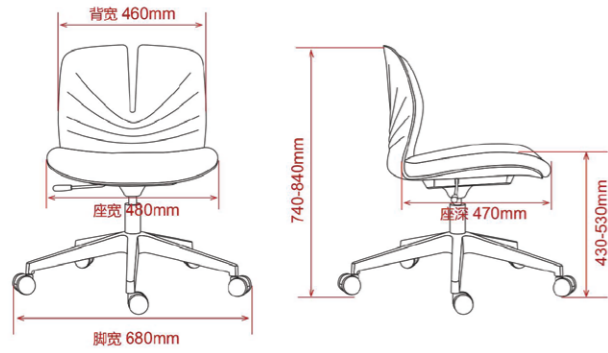
U7-7



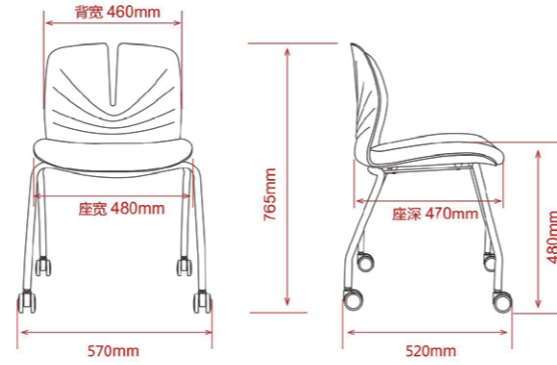
U7-6



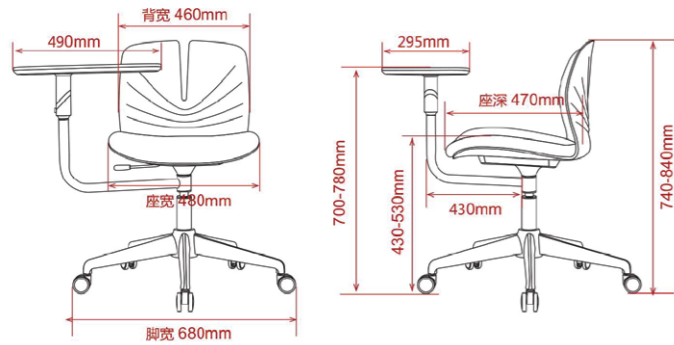
U7 FUNCTION



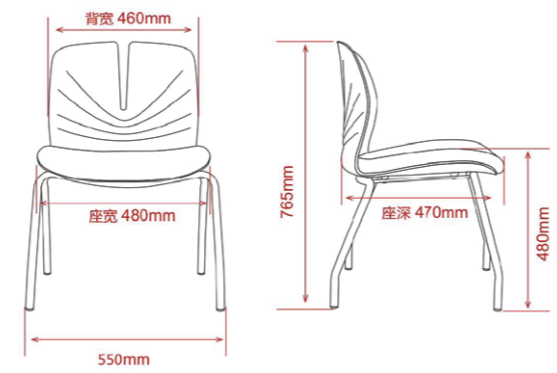
Model: U7-1



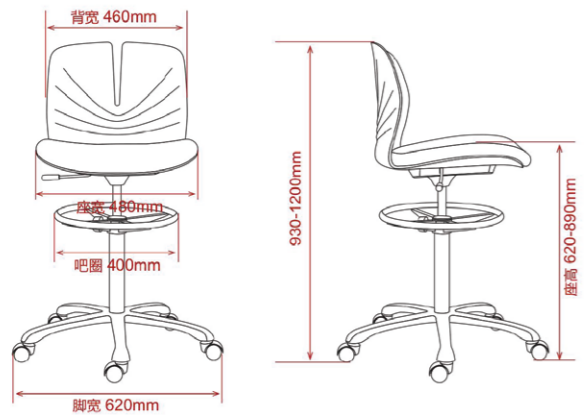
Model: U7-4



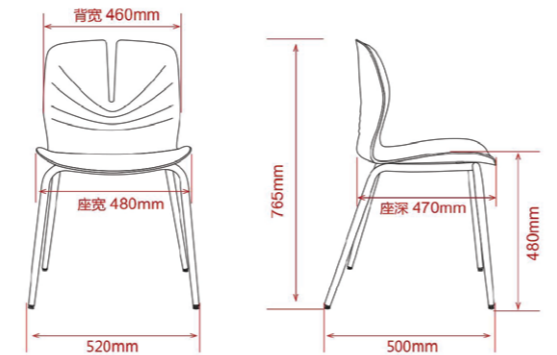
Model: U7-2



Model: U7-5

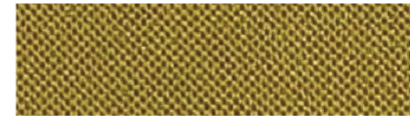


Model: U7-3



Model: U7-6

BEAT BAG COLOR



YH1094-6



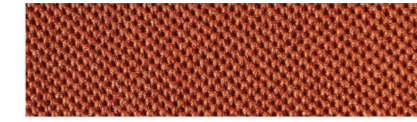
YH1094-13



YH1094-9



YH1094-5



YH1094-12



YH1094-7

BACK FRAME COLOR



White



Orange



Gray



Red



Black



Blue

FABRIC COLOR



Contact us :
+966 92000 7575
www.alismail.com

Alismail
السماعيل
الصناعة
Alismail Industrial

IM
IRONMASTER