

# Radio Interface Cable

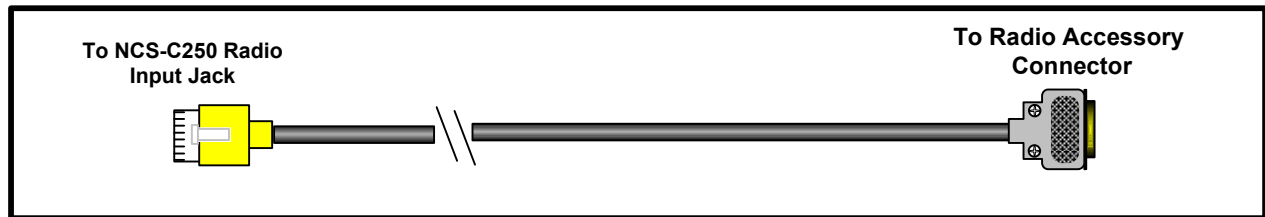
For NCS-C250 Mobile Multi-Switcher

NCS Model Number

## NCS-250-BBA-XX

**Compatible Radios:**

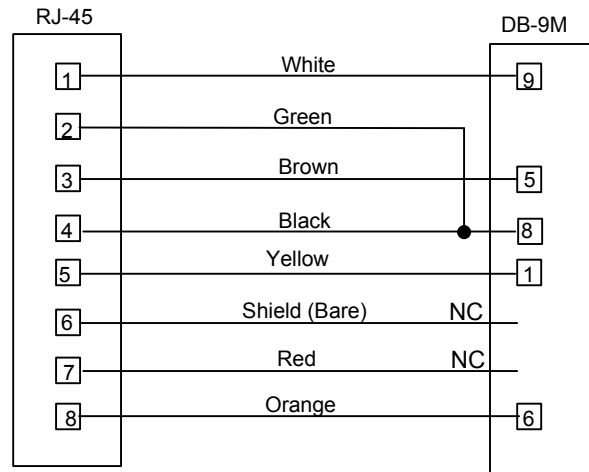
Bendix/King EMV w/DB-9



### RJ-45

Pin #	Wire Color	Function
1	White	Mic Hi
2	Green	Mic Lo
3	Brown	PTT
4	Black	Ground
5	Yellow	Rx Audio
6	Shield	Ground
7	Red	Hook Sw*
8	Orange	COR*

\* Works only on units with Hook Switch and/or COR Option installed



## Cable Wiring

### Notes:

1. Radio must be programmed for COR on OPT A, Pin 6 of the DB-9 ACC connector.