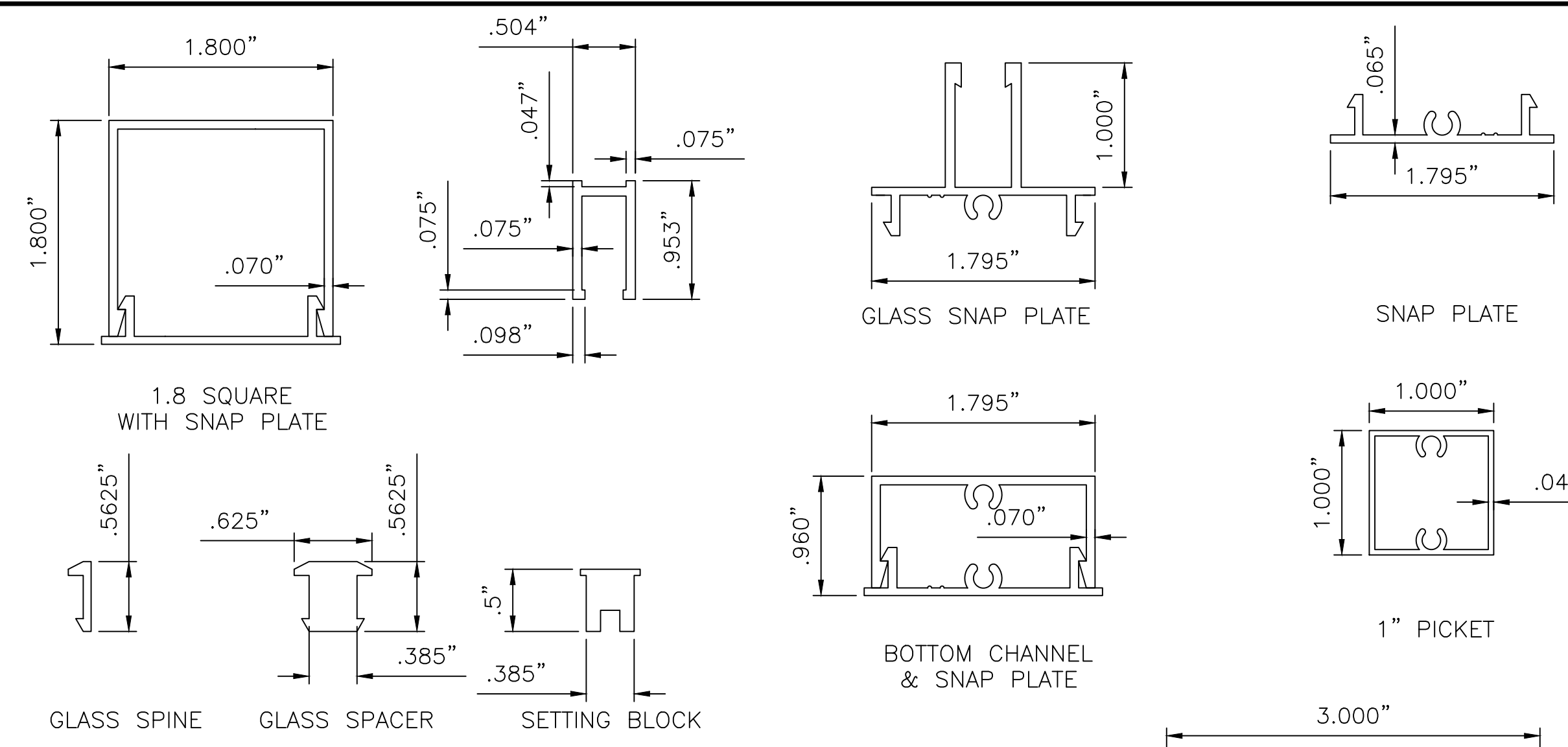


GRAB RAIL DETAIL
SCALE: 3"=1'-0"

RAILING SECTIONS
SCALE: 3"=1'-0"



1.8 SQUARE WITH SNAP PLATE

GLASS SPINE

GLASS SPACER

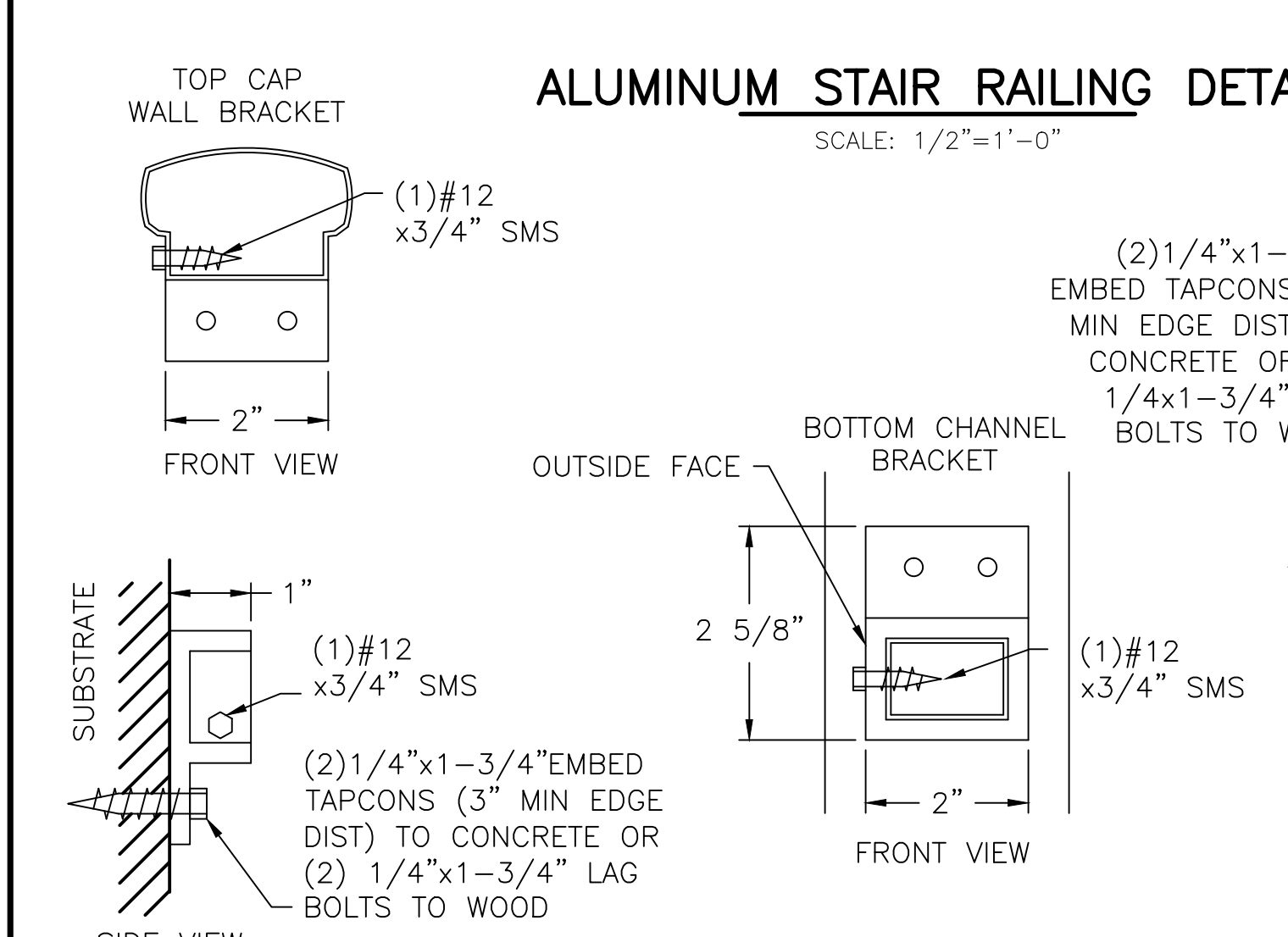
SETTING BLOCK

GLASS SNAP PLATE

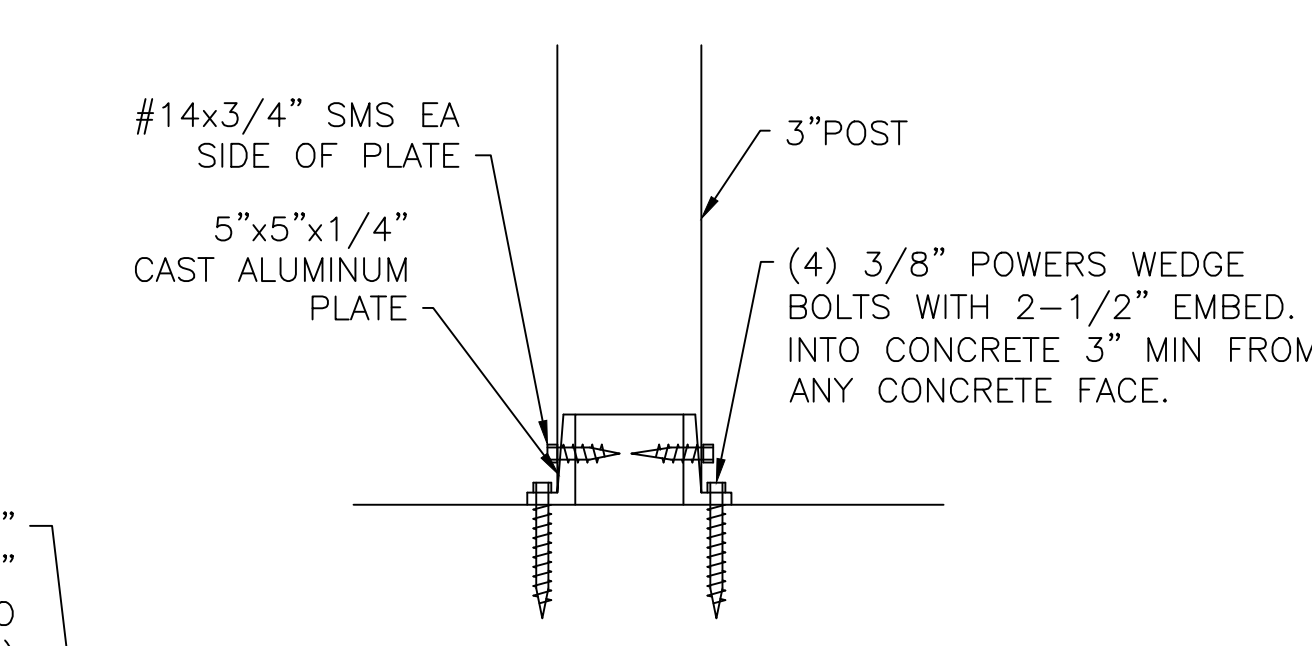
BOTTOM CHANNEL & SNAP PLATE

SNAP PLATE

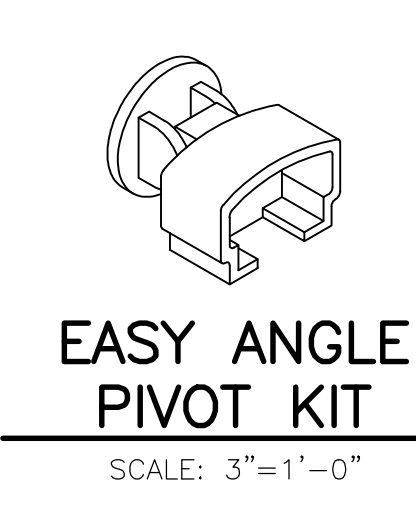
1" PICKET



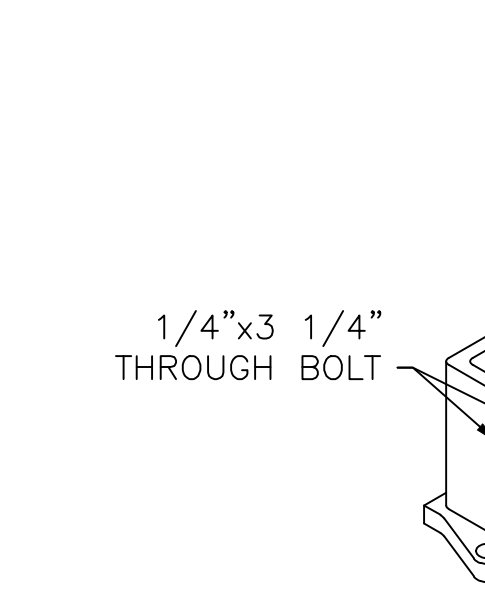
ALUMINUM STAIR RAILING DETAIL
SCALE: 1/2"=1'-0"



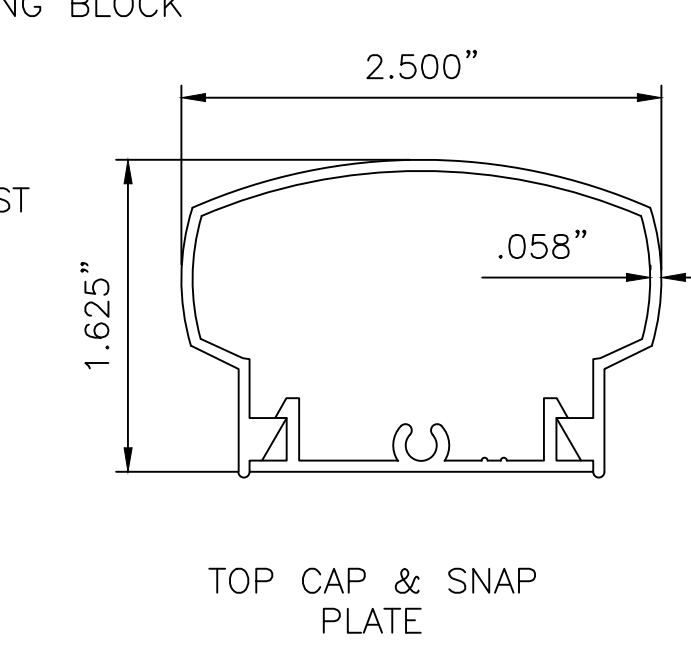
DETAIL 'B' ALUMINUM CASTING
SCALE: 3"=1'-0"



EASY ANGLE PIVOT KIT
SCALE: 3"=1'-0"



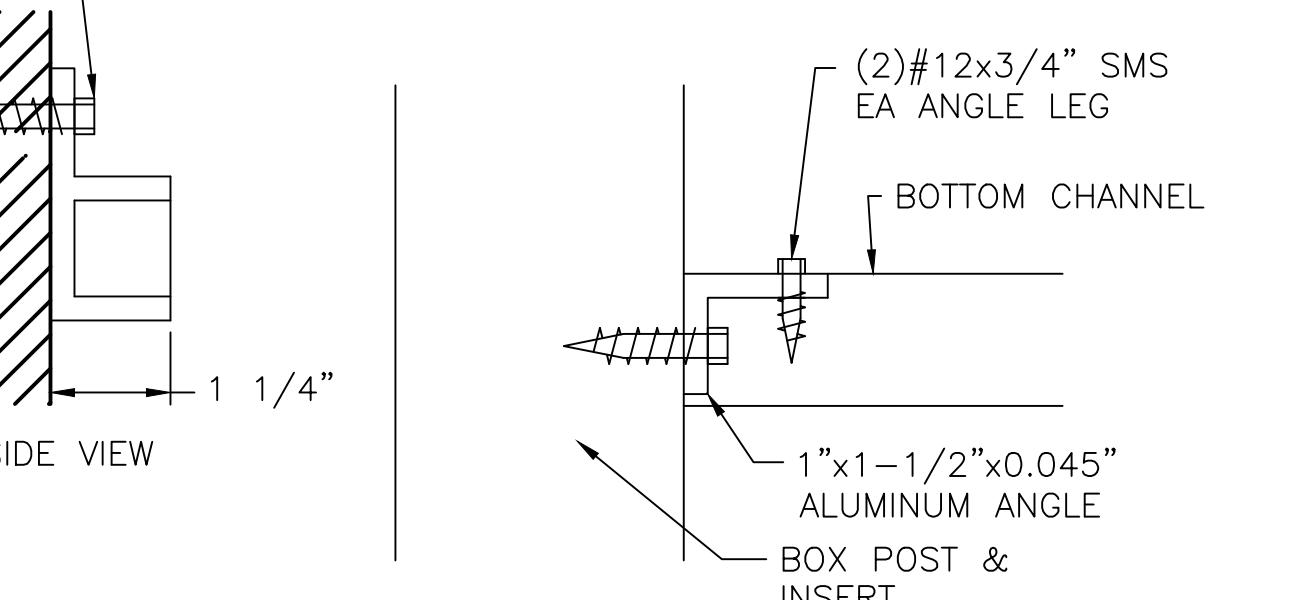
1.8" POST FLOOR FLANGE
SCALE: 1"=1"



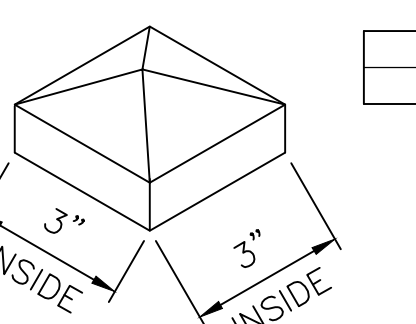
RAILING EXTRUSIONS
SCALE: 1"=1"



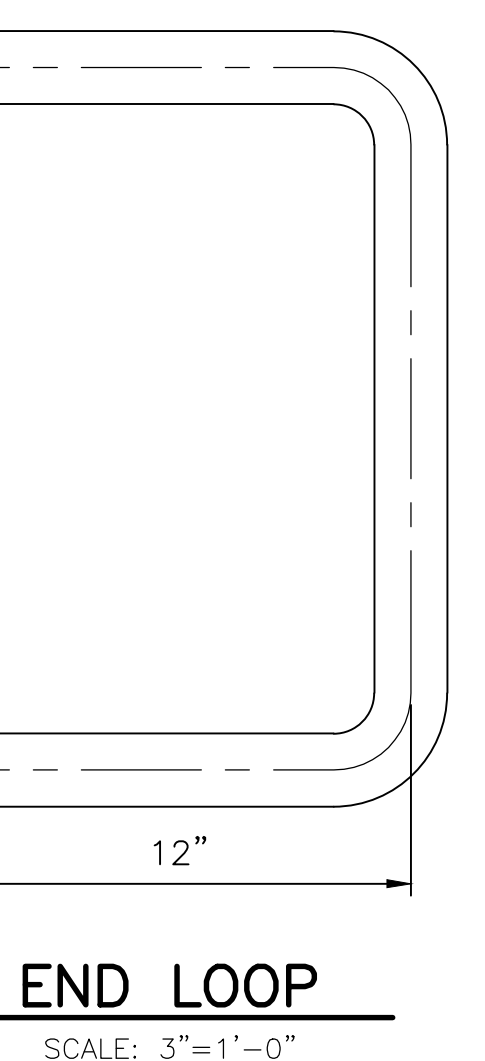
DETAIL 'A' WALL CONNECTIONS
SCALE: 6"=1'-0"



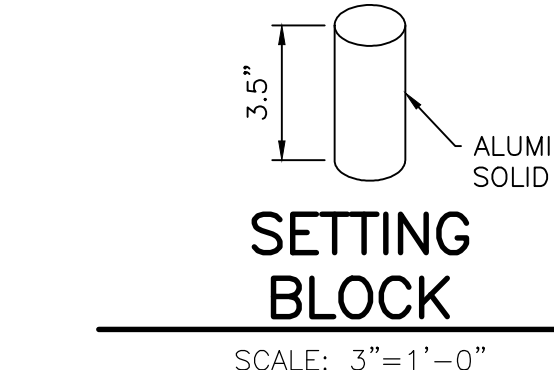
DETAIL 'C' BOTTOM CHANNEL CONN.
SCALE: 6"=1'-0"



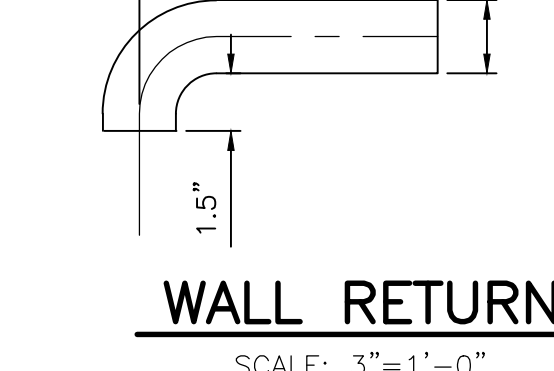
POST CAP
SCALE: 3"=1'-0"



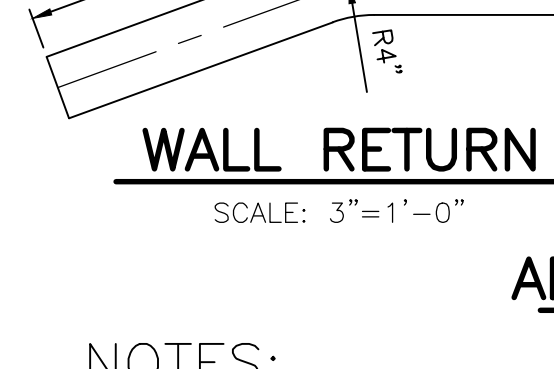
END LOOP
SCALE: 3"=1'-0"



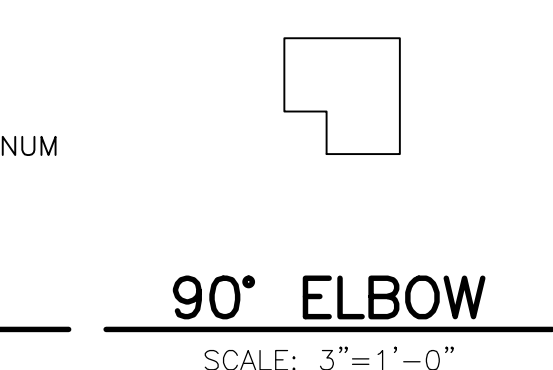
SETTING BLOCK
SCALE: 3"=1'-0"



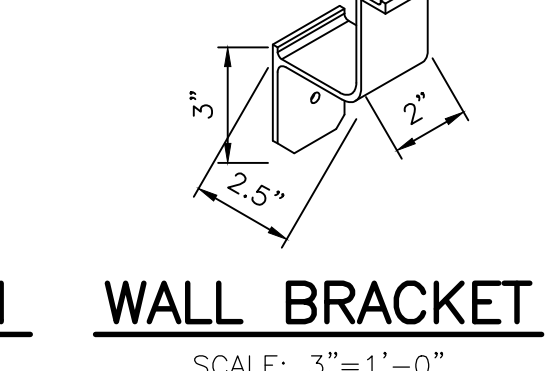
WALL RETURN
SCALE: 3"=1'-0"



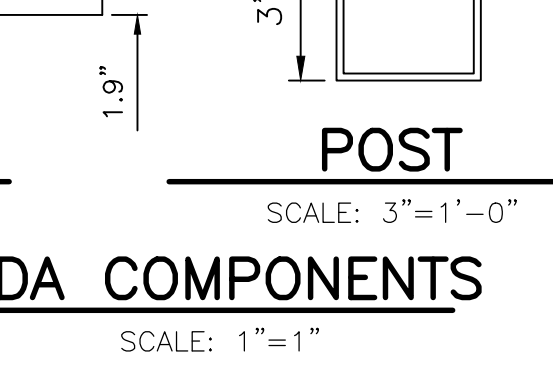
WALL RETURN
SCALE: 3"=1'-0"



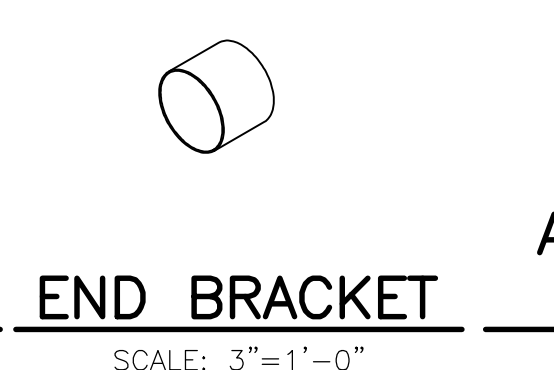
90° ELBOW
SCALE: 3"=1'-0"



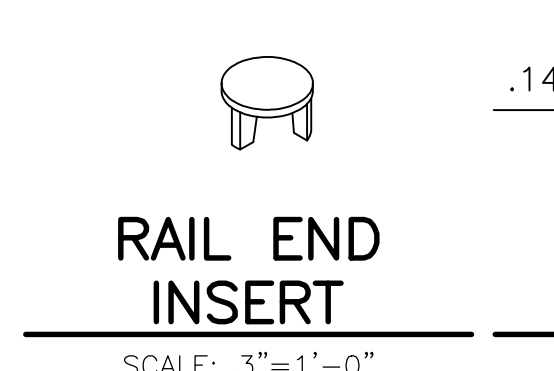
WALL BRACKET
SCALE: 3"=1'-0"



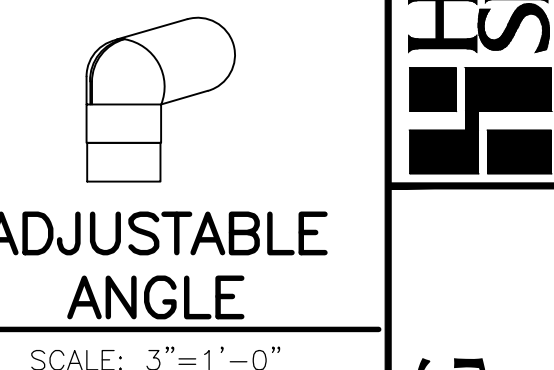
POST
SCALE: 3"=1'-0"



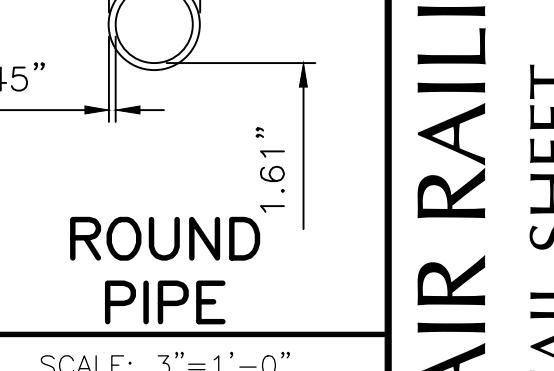
END BRACKET
SCALE: 3"=1'-0"



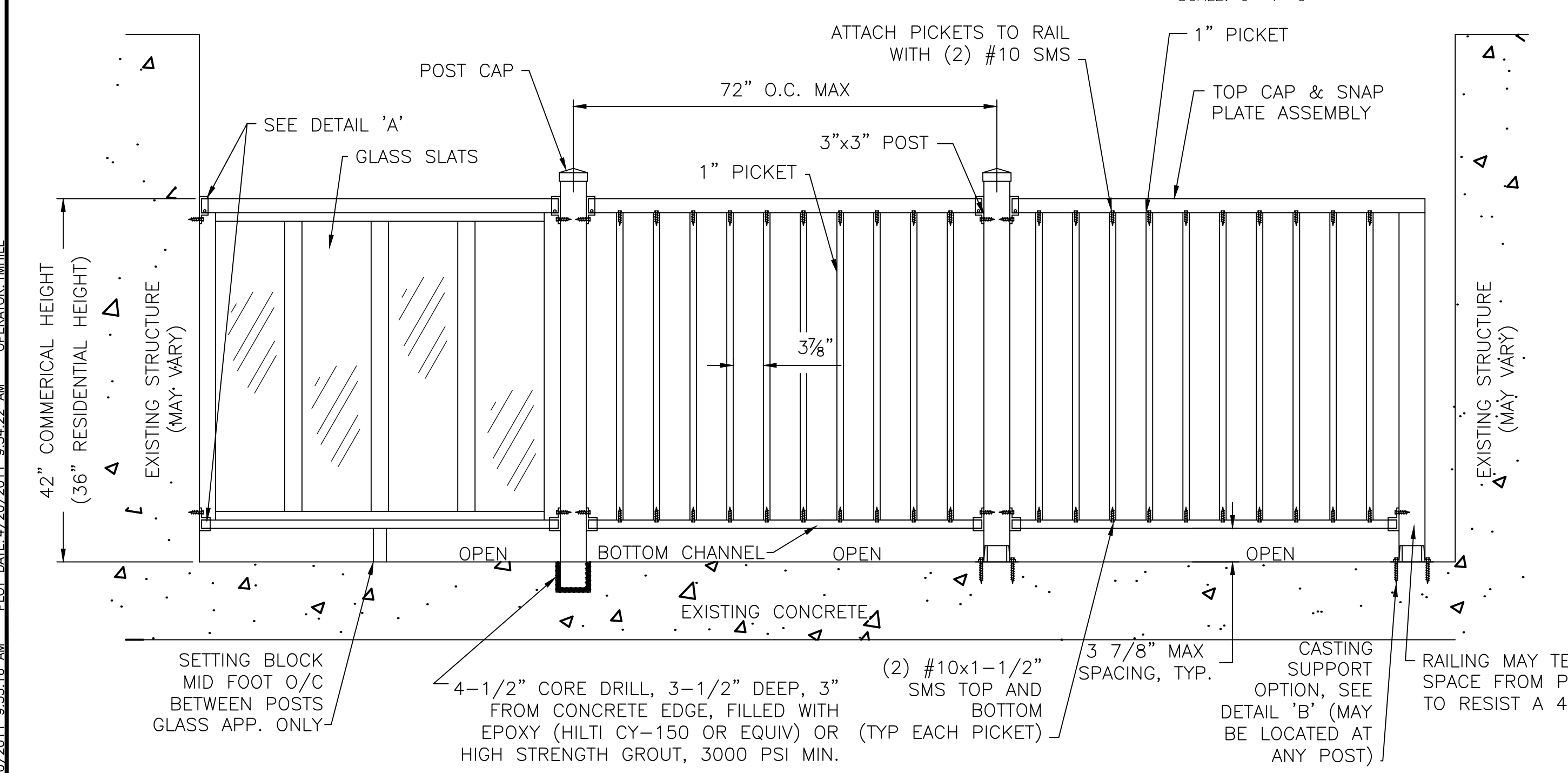
RAIL END INSERT
SCALE: 3"=1'-0"



ADJUSTABLE ANGLE
SCALE: 3"=1'-0"



ROUND PIPE
SCALE: 3"=1'-0"



ALUMINUM STRUCTURAL RAILING
SCALE: 1"=1'-0"

ADA COMPONENTS
SCALE: 1"=1"

- NOTES:**
- THIS SYSTEM HAS BEEN DESIGNED IN ACCORDANCE WITH THE REQUIREMENTS OF THE 2009 INTERNATIONAL BUILDING CODE.
 - ALL FASTENERS TO BE #12 X 3/4" OR GREATER 2024-T4, 18-8 SERIES 300 NON-MAGNETIC STAINLESS STEEL, OF CADMIUM PLATED OR OTHERWISE CORROSION RESISTANT MATERIAL AND SHALL COMPLY WITH 5.1.1.C, SPECIFICATIONS FOR ALUMINUM STRUCTURES - SECTION 1, THE ALUMINUM ASSOCIATION, INC., AND APPLICABLE FEDERAL, STATE, AND LOCAL CODES
 - ALL EXTRUDED MEMBERS SHALL BE ALUMINUM ALLOY TYPE 6063-T6, 6061-T6, OR 6005-T5.
 - ALL CONCRETE AND EPOXY TO REACH A MINIMUM COMPRESSIVE STRENGTH OF 3000 PSI IN 7 DAYS, CONCRETE FOOTERS SHALL CONTAIN MINIMUM 0.1% FIBERMESH CONTENT PER CUBIC YARD, WOOD TO BE PRESSURE TREATED #2 SYP OR BETTER.
 - THE CONTRACTOR IS RESPONSIBLE TO INSULATE ALUMINUM MEMBERS FROM DISSIMILAR METALS TO PREVENT ELECTROLYSIS.
 - ELECTRICAL GROUND, WHEN REQUIRED, TO BE DESIGNED AND INSTALLED BY OTHERS.
 - ALL WORK AND MEASUREMENTS SHALL BE FIELD VERIFIED BY OTHERS PRIOR TO CONSTRUCTION. HORNER AND SHIFRIN, INC. SHALL BE NOTIFIED IMMEDIATELY OF ANY INACCURATE INFORMATION PRIOR TO MODIFICATION. FABRICATION AND INSTALLATION OF MATERIALS SHOWN ON THIS SHEET.
 - HORNER AND SHIFRIN, INC., AND THE ENGINEER SEALING THIS DRAWING ARE RESPONSIBLE FOR THE STRUCTURAL DESIGN ONLY AS SHOWN ON THIS DRAWING. FABRICATION, ERECTION AND CONSTRUCTION PRACTICES ARE NOT THE RESPONSIBILITY OF HORNER AND SHIFRIN, INC., OR THE ENGINEER SEALING THIS DRAWING.

NO.	DATE	REVISION
1		

HORNER & SHIFRIN, INC.
ENGINEERS
FOR OFFICE USE ONLY
314531-4321 • FAX 314-531-6966 • www.HornerShifrin.com
Discipline: Professional Engineering
Certificate of Authority: 000139
Expiration Date: December 31, 2012

ALUMINUM STAIR RAILING
STANDARD DETAIL SHEET
HANDRAIL, GLASS RAIL, ADA RAIL, FENCING
MADDEN MFG. CO
331 DOGWOOD ROAD
LAKE OZARK, MISSOURI 65049
573-365-7040 800-248-1520

DATE:	4-8-11
DESIGNED:	KCS
DRAWN:	TMH
CHECKED:	KCS
JOB NO. REF. NO.	1105600 1105600
SHEET	1 OF 1

PWS: A:\1105600\Cad\SV1105600base.dwg
 CTR: Hs_FullSize.ctb
 PAGE SETUP NAME: A:\1105600\1105600.ctb
 PLOT DATE: 4/20/2011 9:54:18 AM
 OPERATOR: TMH/LL