



**Manufacture
Wuzhou Valve
approved by:**



GE Oil & Gas



شركة تنمية نفط عُمان
Petroleum Development Oman



SAMSUNG C&T

BP, GE Oil&Gas
PDO (Shell MESC Standard),
ECOPETROL, SABIC, SWCC, EIL
etc.



CONTENTS

- Ball Valve Design Features** 1
- Side Entry Floating Ball Valve** 6
- Side Entry Trunnion Mounted Ball Valve** 7
- Top Entry Ball Valve** 10
- Fully Welled Ball Valve** 13
- Metal to Metal Seated Ball Valve** 19
- Cryogenic Ball Valve** 22
- Ball Valve Dimension** 25
 - Dimension of Top Entry Floating Ball Valve 25
 - Dimension of Side Entry Floating Ball Valve – Full Bore 26
 - Dimension of Side Entry Floating Ball Valve – Reduced Bore 28
 - Dimension of Trunnion Mounted Ball Valve – Full Bore 30
 - Dimension of Trunnion Mounted Ball Valve – Reduced Bore 37
- Ball Valve Technical Data** 44
 - Pressure- Temperature Rating Figures of Soft-Seal Material 44
 - Flow Coefficient 46



API 6A/API 6D/API 600/API 609 Certificate



API 624 Certificate



SIL 2&3 Certificate



ISO9001/ISO14000/OHSAS18001 Certificate



API 607 API 6FA FIRE SAFE Certificate

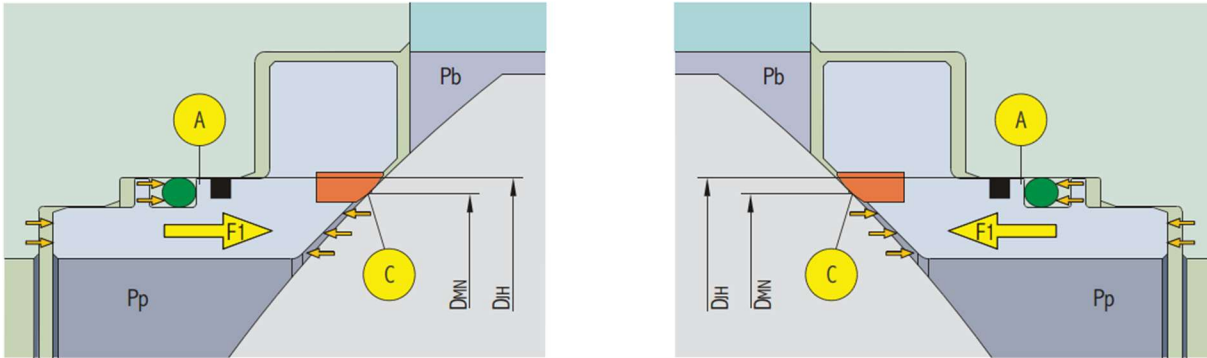
SVI Ball Valve Design Features Overview

Design Features	Side Entry Ball Valve	Top Entry Ball Valve	Fully Welded Ball Valve
API 6D or API608	Standard	Standard	Standard
Face-Face dimensions refers to API6D or ASME B16.10	Standard	Standard	Standard
Floating Ball	Standard	Standard	Standard
Unidirectional Seal Structure	Standard	Standard	Standard
Trunion Mounted Ball	Standard	Standard	Standard
Independent Stem Ball	Standard	Standard	Standard
Floating Seat	Standard	Standard	Standard
Soft Seated	Optional	Optional	Optional
Metal to Metal Seated	Optional	Optional	Optional
Delta-Ring Seat	Optional	Optional	Optional
Primary Metal-Secondary Soft Seat	Optional	Optional	Optional
O-ring Seal	Standard	Standard	Standard
Lip-seal type	Optional	Optional	Optional
Cavity Relieving Seat	Standard	Standard	Standard
Single Piston Effect Seat(DBB Type)	Optional	Optional	Optional
Double Piston Effect Seat(DIB-1 Type)	Optional	Optional	Optional
One Side Single Piston Effect Seat and Other Side Double Piston Effect Seat(DIB-2 Type)	Optional	Optional	Optional
ENP Ball(Soft Seated Structure)	Standard	Standard	Standard
Full Bore Or Reduced Bore	As Requested	As Requested	As Requested
Flanged End/Welded End/Threaded End	As Requested	As Requested	As Requested
Adaptor Pups for Welded End Valve	Optional	Optional	Optional
Fire Safety	Standard	Standard	Standard
Anti-Static Design	Standard	Standard	Standard
Anti-Blowout Stem	Standard	Standard	Standard
Shell Test Pressure Shall be 1.5PN	Standard	Standard	Standard
MAST Maxi Allowed Stew Torque 3times than Torque	Standard	Standard	Standard
Sealant Injection Fitting Structure Lubricant Injector	Optional	Optional	Optional
Cavity Pressure Relief Type	Optional	Optional	Optional
Drain Plug	Standard	Standard	Standard
Stem Injection Fitting	Optional	Optional	Optional
Seat Injection Fitting	Optional	Optional	Optional
Seat Surface Overlay	Optional	Optional	Optional
Wetted Parts Overlay	Optional	Optional	Optional
Body Internal Lining	Optional	Optional	N/A
Extended Stem For Underground Installation	Optional	Optional	Optional
Extended Stem For Low or High Temperature Valve	Optional	Optional	Optional
Lock Device	Optional	Optional	Optional
Lifting Lug/Standing Lug	Standard	Standard	Standard
Manual or Actuated Operation Device	As Requested	As Requested	As Requested
On-line Maintenance	Yes	Yes	No
On-site Maintenance	Yes	Yes	Yes(For Stem Seal only)

Standard and Classic Design Features Instruction

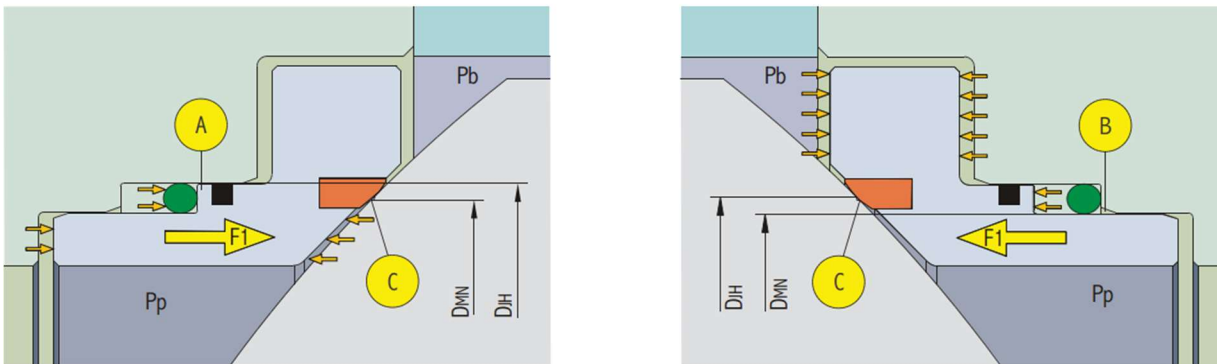
Double Block & Bleed Valve (DBB)

The valve cavity is isolated by double seats. Even when there is pressure inside the pipeline, pressure can be discharged safely. This kind of operation can serve as a means to detect leakage in the pipeline. When the valve is fully opened or fully closed, the blowdown valve or pressure relief valve can be used to detect if there is any leakage at the seat.



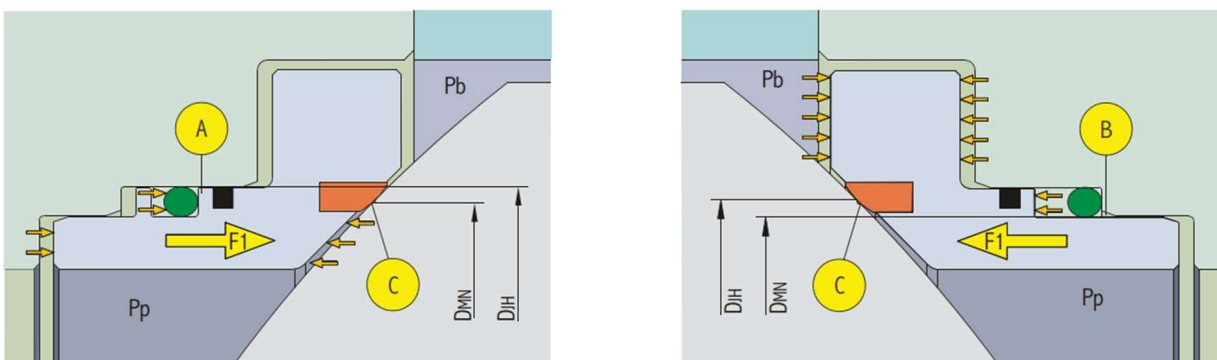
Double Isolation & Block Valve (DIB-1)

The seats at both ends have the double-piston effect. When the valve is closed, if leakage takes place in the upstream seat, the medium will enter the cavity, the downstream seat will stop the medium entering the downstream pipeline, and vice versa.



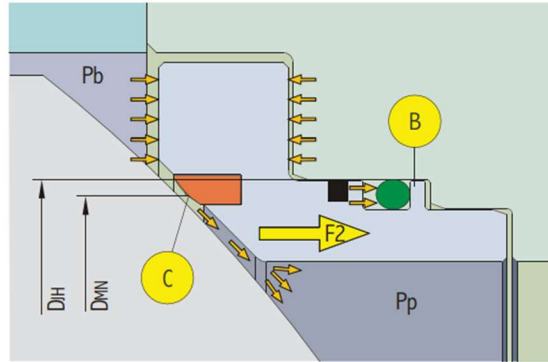
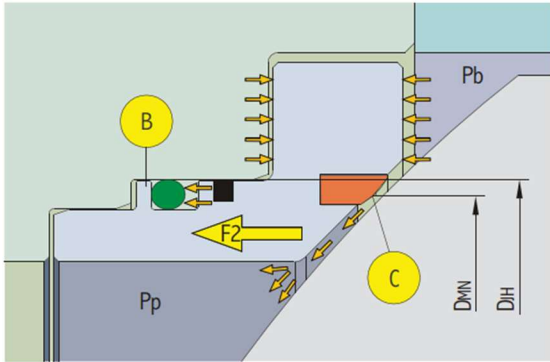
Double Isolation & Block Valve (DIB-2)

The seat at one end has the single-piston effect and the seat at the other end has the double-piston effect. For instance, if the valve is assembled with the single-piston effect seat at the upstream side and the double-piston effect seat at the downstream side, when the valve cavity pressure rises to be 1.33 times the valve pressure rating, the medium inside the cavity will be automatically discharged to the upstream side, so that the safety of valve cavity is ensured. Attention should be paid to the direction when the valve of this kind of structure is installed.



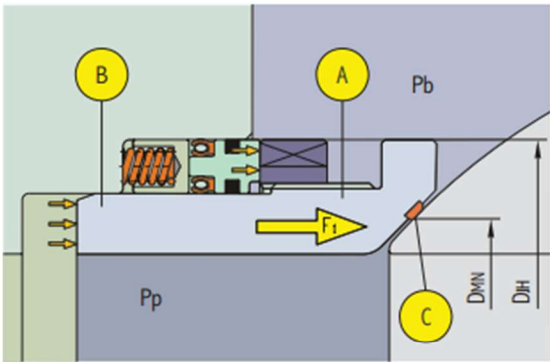
Self Relief Seat

The self relief seat can avoid abnormal rise of valve cavity pressure. when the valve cavity pressure rise to 1.1 ~ 1.33 times the rated pressure, seat start automatic pressure release, It can also be interpreted as a single-piston effect seat.

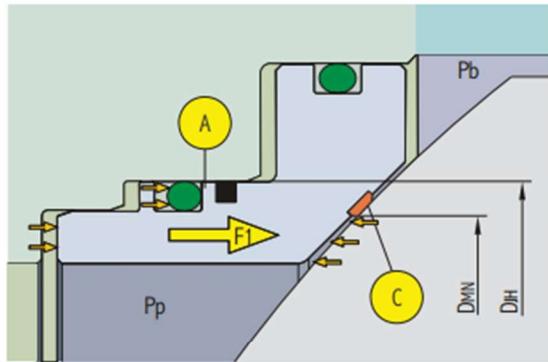


Structure of valve seat

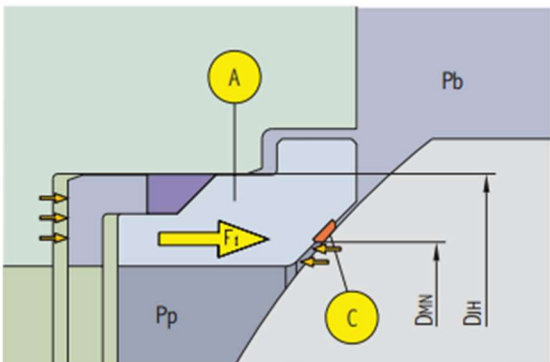
► Metal to Metal Seat



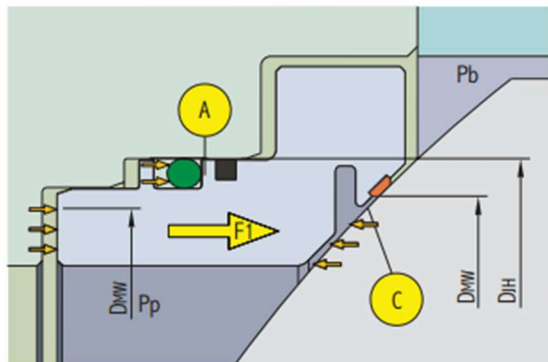
Temperature Range: -196°C ~ +120°C



Temperature Range: -46°C ~ +120°C



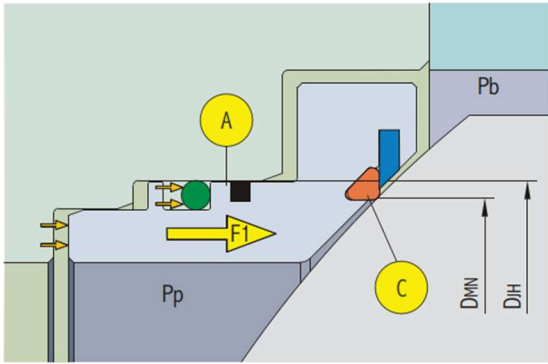
Temperature Range: -29°C ~ +538°C



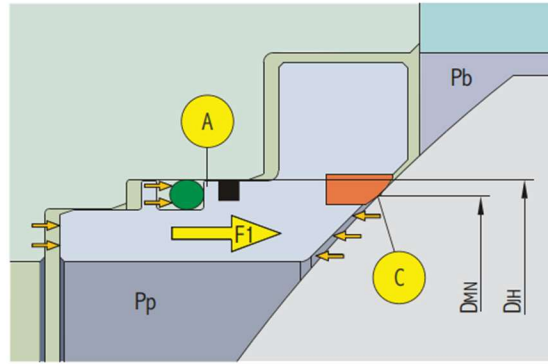
Temperature Range: -46°C ~ +220°C

Structure of valve seat

► Soft Metal Seat



Temperature Range: -46°C ~ +120°C

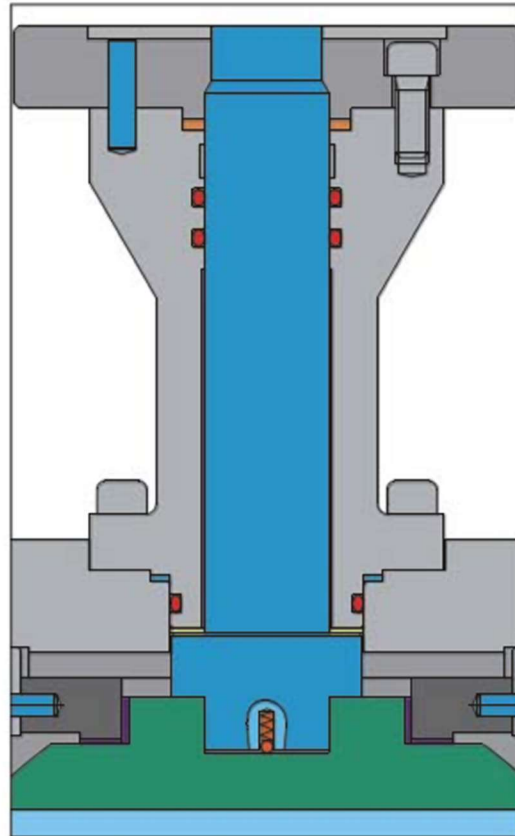


Temperature Range: -46°C ~ -220°C

Extended stem structure

Under cryogenic or high temperature service conditions, the extended bonnet structure is adopted with an aim to protect the packing box Figure 1

At underground application, the extended stem type valve provide the convenient service for operator on the ground. The underground fully-welded ball valves made by WUZHOU are widely applied to pipeline of gas, oil system projects Figure 2.



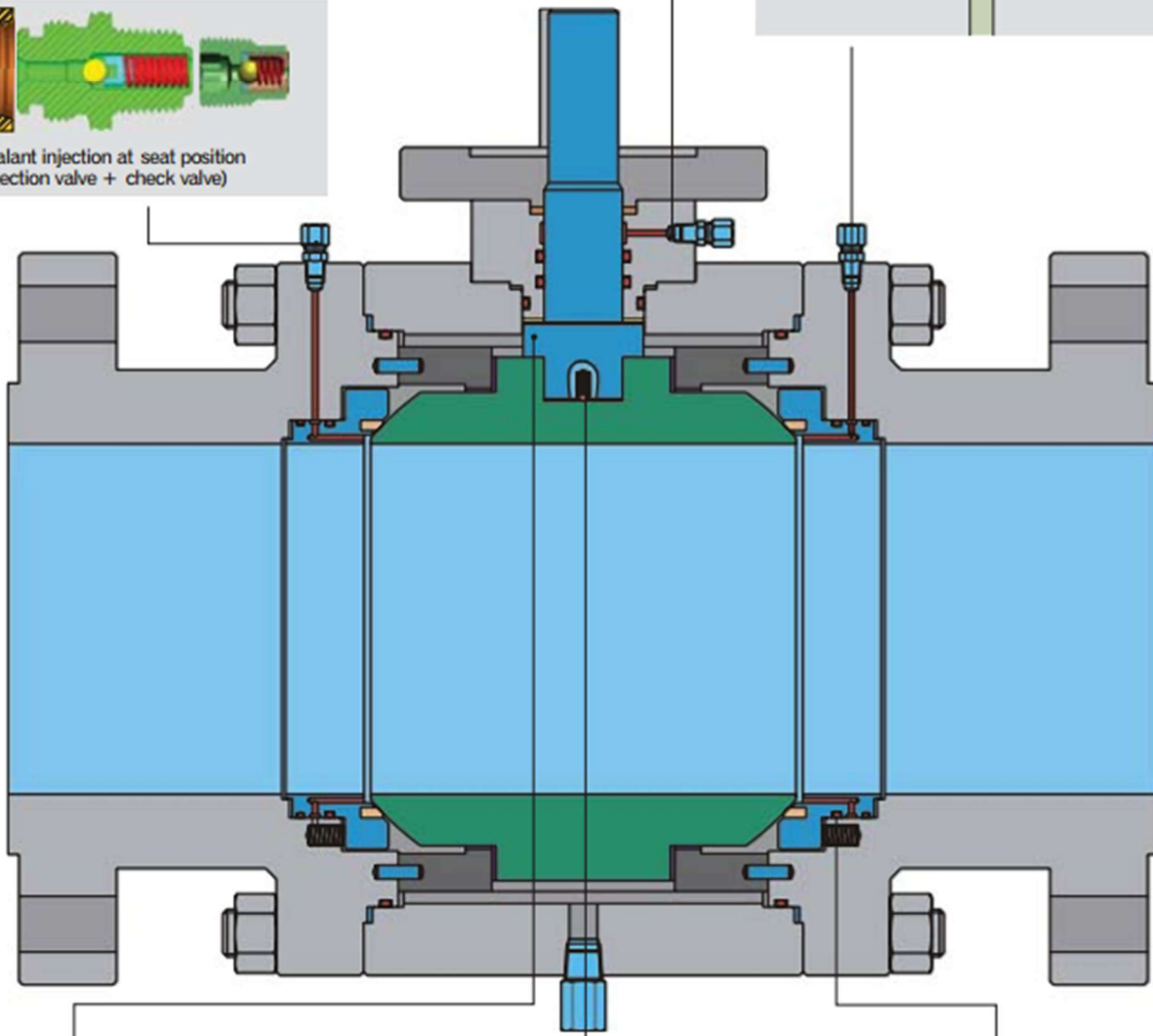
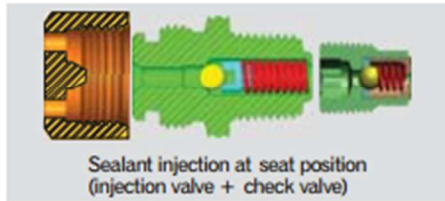
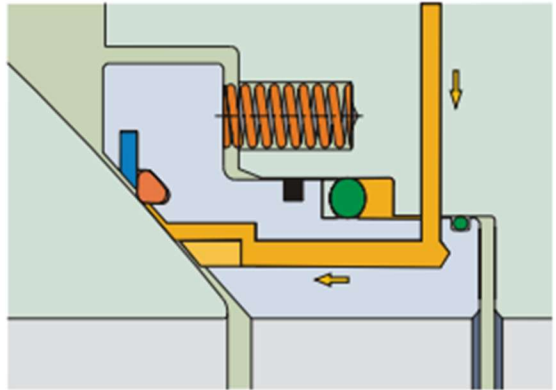
1



2

Emergency Sealant Injection

Upon request our valves can be equipped with emergency sealant injection at stem and seat position for this feature, the sealant injection will provide a simple method to restore valve tightness in case of damaged sealing materials in the stem or seat area. If necessary, the sealant injection can be used for regular cleaning seat seal area.



Anti-Blowout Design

For the sake of safety, the stem must be designed with a blow-out proof device to prevent the stem from being blown out by the internal pressure when the packing gland or actuator yoke is removed.

Anti-static Device

In order to avoid accidents arising from static accumulation, all metal ball valves are provided with an anti-static device at the body, the ball and the stem, so that the static electricity produced by the valve itself can be smoothly discharged out of the valve. The anti-static device is composed of the metal ball and the spring.

Fire Safe Design

The valve is designed to have double-sealing. The first seal is the soft seal and the second seal is the metal seal. In case of fire, the soft seal is burnt and the metal seal will play its role in reducing medium leakage. The fire resistance design of valves is qualified by fire testing in accordance with API 607, API 6FA and ISO 10497, and meets the fire-safe requirements in API 607 and API 6FA.

Side Entry Floating Ball Valve Pressure Class: 150 thru 2500 Size: 1/2" thru 12"

VALVE SCOPE

Service range	ASME Class150	ASME Class300	ASME Class600	ASME Class900	ASME Class1500	ASME Class2500
Normal temperature ball valve	1/2" ~12"	1/2" ~10"	1/2" ~4"	1/2" ~3"	1/2" ~3"	1/2" ~2"
Cryogenic ball valves (-196 °C)	1/2" ~8"	1/2" ~8"	1/2" ~4"	1/2" ~3"	1/2" ~3"	1/2" ~2"
Subsea ball valve	2" ~12"	1/2" ~10"	1/2" ~4"	1/2" ~3"	1/2" ~3"	1/2" ~2"
Under ground installation of ball valve	2" ~12"	1/2" ~10"	1/2" ~4"	1/2" ~3"	1/2" ~3"	1/2" ~2"
High temp ball valve (+220 °C to +750 °C)	1/2" ~12"	1/2" ~10"	1/2" ~4"	1/2" ~3"	1/2" ~3"	1/2" ~2"

Side entry floating ball valve summary

The floating ball valve is simple structure type. It has two seat supporting the ball, the ball can tightly move towards the sealing to ensure seal at outlet end.

Design Feature

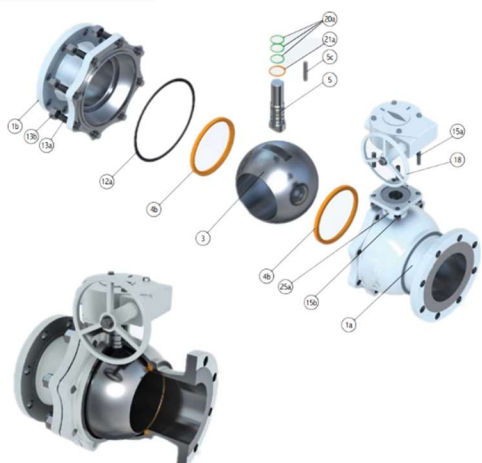
Standard design

API 608, ISO 17292 design and construction
ASME B16.5, B16.25 ends connection
Anti-blowout stem
Fire-safe, anti-static
Floating ball type
Fire safe acc to ISO 10497, API 607, API 6FA, BS 6755-2

Optional design

Connection end as required
Unidirectional seal type
Extended stem
Extended bonnet
Metal to metal seat
On-site maintenance pocket overlay
Seat or stem seal area overlay
Wetted parts overlay

Exploded Drawing



No.	Item	Carbon Steel	Stainless Steel
1a	Body	ASTM A216 WCB	ASTM 351 CF8M
1b	Bonnet	ASTM A216 WCB	ASTM 351 CF8M
3	Ball	ASTM A105+ENP	ASTM A182 F316
4b	Sealing Ring	RPTFE or NYLON	RPTFE or NYLON
5	Stem	ASTM A182 F6a	ASTM A182 F316
5c	Key	AISI 1045	AISI 1045
12a	Gasket	304S.S+Graphite	304S.S+Graphite
13a	Bolt	ASTM A193 B7	ASTM A193 B8
13b	Nut	ASTM A194 2H	ASTM A194 8
15a	Bolt	ASTM A193 B7	ASTM A193 B8
15b	Nut	ASTM A194 2H	ASTM A194 8
18	Gear Box	Assembly	Stainless Steel
20a	O-ring	Viton	Viton
21a	Stem Washer	PTFE	PTFE
25a	Sealant Injection	Carbon Steel	Stainless Steel

SVI Side Entry Trunnion Mounted Ball Valve

Product Line Technical Data

YOUR ONE-STOP VALVE SOURCING CHANNEL

Side Entry Trunnion Mounted Ball Valve Pressure Class: 150 thru 2500 Size: 1" thru 64"

Service range	ASME Class150~600	ASME Class900	ASME Class1500	ASME Class2500
Normal temperature ball valve	1" ~64"	1" ~56"	1" ~40"	1" ~32"
Cryogenic ball valves (-196 °C)	1" ~36"	1" ~36"	1" ~24"	1" ~12"
Subsea ball valve	1" ~64"	1" ~56"	1" ~40"	1" ~32"
Under ground installation of ball valve	1" ~64"	1" ~56"	1" ~40"	1" ~32"
High temp ball valve +220 °C to +750 °C)	1" ~36"	1" ~36"	1" ~24"	1" ~12"

Side entry trunnion mounted ball valve description

The valve body can be designed casting type or forging type, the seats can have soft-seal and metal-to-metal type. And the trunnion ball can be designed with supporting plate to support the ball or up and down stem support.

Design Feature

Standard design

API 6D, API 608, ISO 17292 ASME VIII design and construction
ASME B16.5, B16.25 connection end
Anti-blowout stem
Fire-safe, anti-static
Trunnion mounted ball type (pivot)
DBB structure
Self-Relieving Seat Effect
Fire safe acc to ISO 10497, API 607, API 6FA, BS 6755-2

Optional design

Connection end as required
Double piston effect seat
One side single piston effect seat and other side double piston effect seat
Sealant injection at seat and stem
Extended stem
Extended bonnet
Metal to metal seat
On-site maintenance Pocket overlay
Seat or stem seal area overlay
Wetted parts overlay

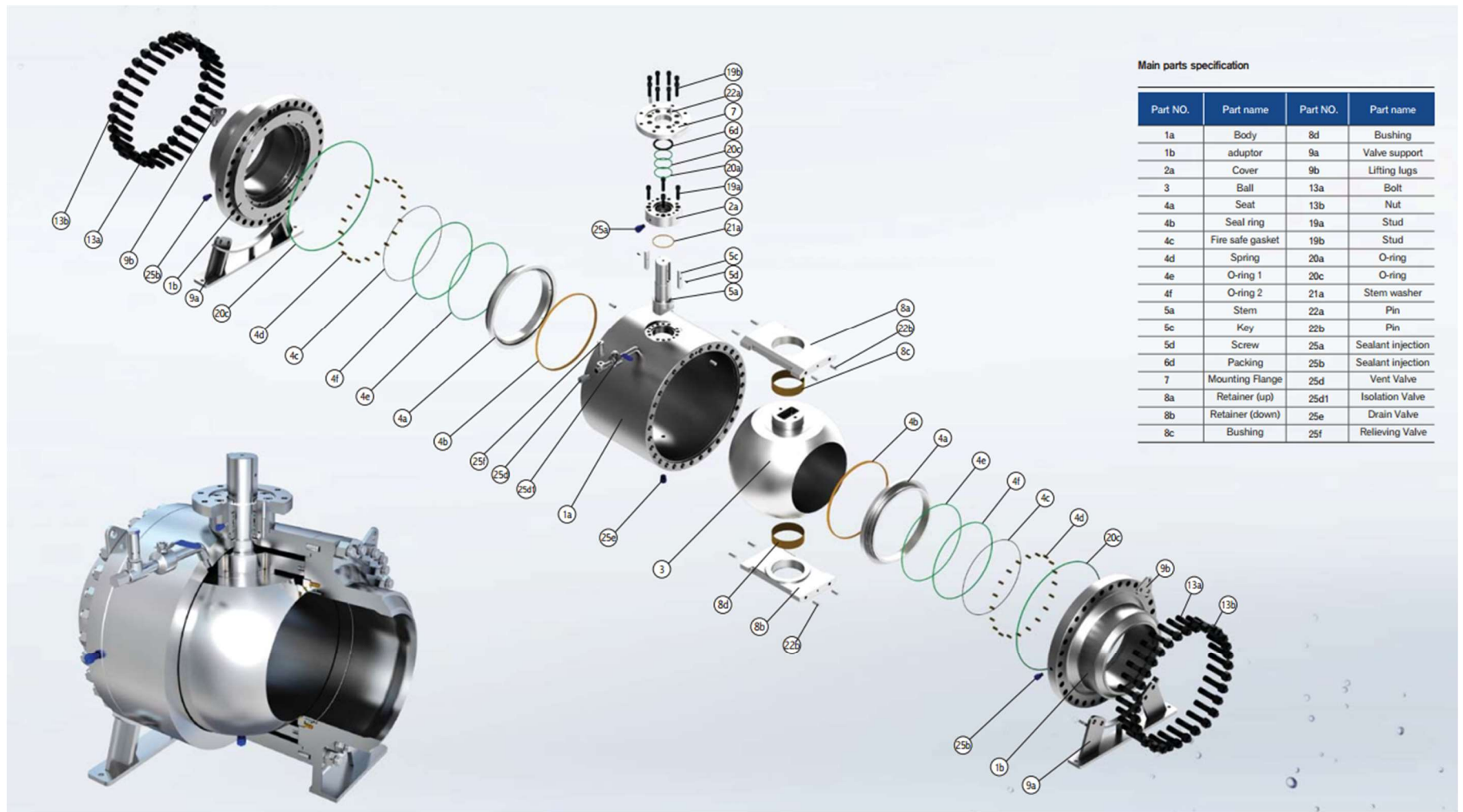


SVI Side Entry Trunnion Mounted Ball Valve

Product Line Technical Data

YOUR ONE-STOP VALVE SOURCING CHANNEL

Exploded Drawing



Main parts specification

Part NO.	Part name	Part NO.	Part name
1a	Body	8d	Bushing
1b	adaptor	9a	Valve support
2a	Cover	9b	Lifting lugs
3	Ball	13a	Bolt
4a	Seat	13b	Nut
4b	Seal ring	19a	Stud
4c	Fire safe gasket	19b	Stud
4d	Spring	20a	O-ring
4e	O-ring 1	20c	O-ring
4f	O-ring 2	21a	Stem washer
5a	Stem	22a	Pin
5c	Key	22b	Pin
5d	Screw	25a	Sealant injection
6d	Packing	25b	Sealant injection
7	Mounting Flange	25d	Vent Valve
8a	Retainer (up)	25d1	Isolation Valve
8b	Retainer (down)	25e	Drain Valve
8c	Bushing	25f	Relieving Valve

LIST OF MATERIAL

No.	Item	Carbon Steel	Stainless Steel	No.	Item	Carbon Steel	Stainless Steel
1a	Body	ASTM A105	ASTM A182 F316	8d	Bushing	C.S+PTFE	304S.S+PTFE
1b	Adaptor	ASTM A105	ASTM A182 F316	9a	Valve Support	C.S	C.S
2a	Cover	ASTM A105	ASTM A182 F316	9b	Lifting lugs	C.S	C.S
3	Ball	ASTM A105+ENP	ASTM A182 F316	13a	Bolt	ASTM A193 B7	ASTM A193 B8
4a	Seat	ASTM A105+ENP	ASTM A182 F316	13b	Nut	ASTM A194 2H	ASTM A194 8
4b	Seal Ring	VITON AED or RPTFE	VITON AED or RPTFE	19a	Stud	ASTM A193 B7	ASTM A193 B8
4c	Fire Safe Gasket	Graphite	Graphite	19b	Stud	ASTM A193 B7	ASTM A193 B8
4d	Spring	Inconel X-750	Inconel X-750	20a	O-ring	VITON	VITON
4e	O-ring 1	VITON	VITON	20c	O-ring	VITON	VITON
4f	O-ring 2	VITON	VITON	21a	Stem Washer	PTFE	PTFE
5a	Stem	ASTM A182 F6a	ASTM A182 F316	22a	Pin	AISI 1035	ASTM A276 410
5c	Key	AISI 1045	AISI 1045	22b	Pin	AISI 1035	ASTM A276 410
5d	Screw	ASTM A193 B7	ASTM A193 B8	25a	Sealant Injection	Carbon Steel	Stainless Steel
6d	Packing	Graphite	Graphite	25b	Sealant Injection	Carbon Steel	Stainless Steel
7	Mounting Flange	ASTM A105	ASTM A276 316	25d	Vent Valve	Carbon Steel	Stainless Steel
8a	Retainer(up)	ASTM A105	ASTM A276 316	25d1	Isolation Valve	Carbon Steel	Stainless Steel
8b	Retainer(down)	ASTM A105	ASTM A276 316	25e	Drain Valve	Carbon Steel	Stainless Steel
8c	Bushing	C.S+PTFE	304S.S+PTFE	25f	Relieving Valve	Carbon Steel	Stainless Steel

Top Entry Ball Valve

Pressure Class: 150 thru 2500

Size: 1/2" thru 56"

Top entry Floating ball valve

Service range	ASME Class150	ASME Class300	ASME Class600
Normal temperature ball valve	1/2" ~2"	1/2" ~2"	1/2" ~2"
Cryogenic ball valves (-196 °C)	1/2" ~2"	1/2" ~2"	1/2" ~2"
Subsea ball valve	1/2" ~2"	1/2" ~2"	1/2" ~2"
Under ground installation of ball valve	1/2" ~2"	1/2" ~2"	1/2" ~2"
High temp ball valve (+220 °C to +750 °C)	1/2" ~2"	1/2" ~2"	1/2" ~2"

Top entry trunnion mounted ball valve

Service range	ASME Class150 ~ 600	ASME Class900	ASME Class1500	ASME Class2500
Normal temperature ball valve	2" ~56"	2" ~48"	2" ~30"	2" ~16"
Cryogenic ball valves (-196 °C)	2" ~36"	2" ~36"	2" ~24"	2" ~12"
Subsea ball valve	2" ~56"	2" ~48"	2" ~30"	2" ~16"
Under ground installation of ball valve	2" ~56"	2" ~48"	2" ~30"	2" ~16"
High temp ball valve (+220 °C to +750 °C)	2" ~36"	2" ~36"	2" ~24"	2" ~12"

General comments for top entry ball valve

The features of top-entry ball valve is one piece type body, so that the valve leaking points are less than normal type valve. The top entry ball valve can maintenance online, and the body can be designed casting or forging.

Design Feature

Standard design

- API 6D, ISO 17292, B16.34, ASME VIII design and construction
- ASME B16.5, B16.25 connection end
- Anti-blowout stem
- Fire-safe, anti-static
- DBB structure
- Self-Relieving Seat Effect (limited to fixed ball)
- Fire safe acc to ISO 10497, API 607, API 6FA, BS 6755-2

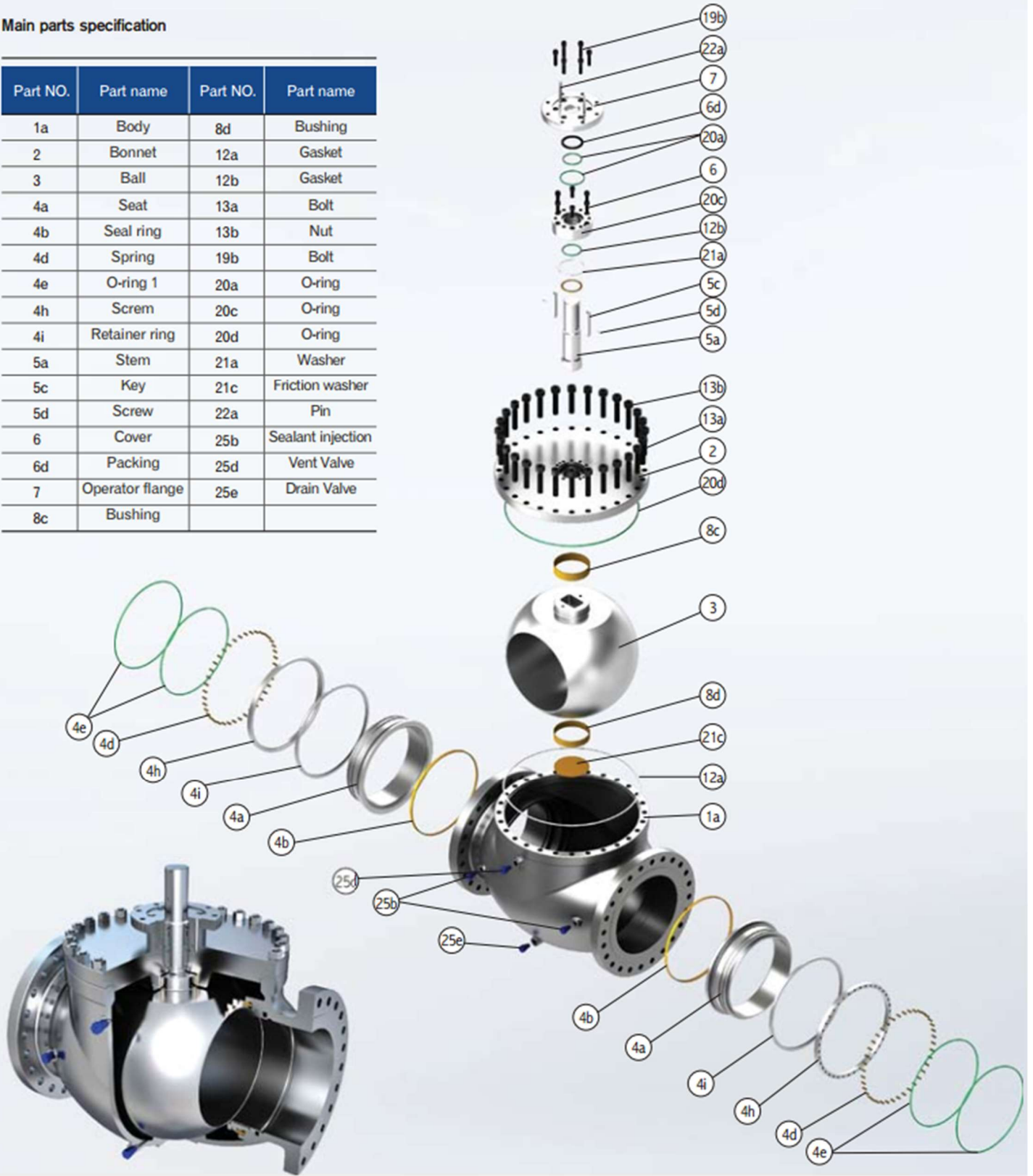
Optional design

- Connection end as required
- Double piston effect seat
- One side single piston effect seat and other side double piston effect seat
- Sealant injection at seat and stem
- Extended stem
- Extended bonnet
- Metal to metal seat
- On-site maintenance pocket overlay
- Seat or stem seal area overlay
- Wetted parts overlay

Exploded Drawing

Main parts specification

Part NO.	Part name	Part NO.	Part name
1a	Body	8d	Bushing
2	Bonnet	12a	Gasket
3	Ball	12b	Gasket
4a	Seat	13a	Bolt
4b	Seal ring	13b	Nut
4d	Spring	19b	Bolt
4e	O-ring 1	20a	O-ring
4h	Screm	20c	O-ring
4i	Retainer ring	20d	O-ring
5a	Stem	21a	Washer
5c	Key	21c	Friction washer
5d	Screw	22a	Pin
6	Cover	25b	Sealant injection
6d	Packing	25d	Vent Valve
7	Operator flange	25e	Drain Valve
8c	Bushing		



LIST OF MATERIAL

No.	Item	Carbon Steel	Stainless Steel	No.	Item	Carbon Steel	Stainless Steel
1a	Body	ASTM A216 WCB	ASTM A351 CF8M	8d	Bushing	C.S+PTFE	S.S+PTFE
2	Bonnet	ASTM A216 WCB	ASTM A351 CF8M	12a	Gasket	304S.S+Graphite	304S.S+Graphite
3	Ball	ASTM A105+ENP	ASTM A182 F316	12b	Gasket	304S.S+Graphite	304S.S+Graphite
4a	Seat	ASTM A105+ENP	ASTM A182 F316	13a	Bolt	ASTM A193 B7	ASTM A193 B8
4b	Seal Ring	RPTFE/NYLON	RPTFE/NYLON	13b	Nut	ASTM A194 2H	ASTM A194 8
4d	Spring	Inconel X-750	Inconel X-750	19b	Bolt	35CrMo	ASTM A193 B8
4e	O-ring 1	Viton	Viton	20a	O-ring	Viton	Viton
4h	Screw	35CrMo	ASTM A193 B8	20c	O-ring	Viton	Viton
4i	Retainer Ring	RPTFE/NYLON	RPTFE/NYLON	20d	O-ring	Viton	Viton
5a	Stem	ASTM A182 F6a	ASTM A182 F316	21a	Washer	PTFE	PTFE
5c	Key	AISI 1045	AISI 1045	21c	Friction Washer	PTFE	PTFE
5d	Screw	35CrMo	ASTM A193 B8	22a	Pin	AISI 1035	ASTM A276 410
6	Cover	ASTM A105	ASTM A182 F316	25b	Sealant Injection	C.S+Zn	Stainless Steel
6d	Packing	Graphite	Graphite	25d	Vent Valve	C.S+Zn	Stainless Steel
7	Operator flange	Q235	304S.S	25e	Drain Valve	C.S+Zn	Stainless Steel
8c	Bushing	C.S+PTFE	S.S+PTFE				

Fully Welded Ball Valve

Pressure Class: 150 thru 2500

Size: 1/2" thru 64"

Fully welded floating ball valve

Service range	ASME Class150~600	ASME Class900	ASME Class1500	ASME Class2500
Normal temperature ball valve	1/2" ~4"	1/2" ~3"	1/2" ~3"	1/2" ~2"
Cryogenic ball valves (-196 °C)	1/2" ~4"	1/2" ~3"	1/2" ~3"	1/2" ~2"
Subsea ball valve	1/2" ~4"	1/2" ~3"	1/2" ~3"	1/2" ~2"
Under ground installation of ball valve	1/2" ~4"	1/2" ~3"	1/2" ~3"	1/2" ~2"
High temp ball valve +220 °C to +750 °C)	1/2" ~4"	1/2" ~3"	1/2" ~3"	1/2" ~2"

Fully welded trunnion ball valve

Service range	ASME Class150~600	ASME Class900	ASME Class1500	ASME Class2500
Normal temperature ball valve	2" ~64"	2" ~56"	2" ~36"	2" ~20"
Cryogenic ball valves (-196 °C)	2" ~36"	2" ~36"	2" ~36"	2" ~20"
Subsea ball valve	2" ~64"	2" ~56"	2" ~36"	2" ~20"
Under ground installation of ball valve	2" ~64"	2" ~56"	2" ~36"	2" ~20"

Welding overlay

When customer request that seat seal area does not rust, the method of welding overlay stainless steel on the seat area can improve the valve service life.

Fugitive emssion valve

AS using a special structure at seat and stem seal area, that the sealing performance of valve can be improve.

Sealant injection, reliving valve, drain valve

The sealant injection, reliving valve, drain valve can be made by stainless steel to anti-rust.

General comments for fully welded ball valve

Fully-welded ball valves made by WUZHOU can be spherical and cylindrical type. Usually the spherical type has only one welding seam on the body, the cylindrical type has two welding seam on the body. The spherical body with single weld seam can integrate into two pieces bodys, and welding with circumferential weld.

The body of double weld seam fully-welded ball valve is composed three pieces, and have two circular and paraller weld seam, no-cross weld seam. The butted weld end is design with low stress and narrow gap type SAW process to reduce the amount of deposited metal. The carbonn equivalent is strictly controlled. At welding, the preheating and inter layer temperature are strictly controlled in order to meet toughness and stress requirements of post weld body design standard.

Fully welded ball valve feature

- For the valve, the body-neck welds are made on specific neck welding machine and post weld heat treatment.
- For the valve, after overall welding the heat treatment are free.
- For the valve, the best advantage is no potentially dangerous of external leakage.

Design Feature

Standard design

API 6D, ISO 17292, B16.34, ASME VIII design and construction
ASME B16.5, B16.25 connection end
Anti-blowout stem
Fire-safe, anti-static
DBB structure
Self-Relieving Seat Effect (limited to fixed ball)
Fire safe acc to ISO 10497, API 607, API 6FA, BS 6755-2

Optional design

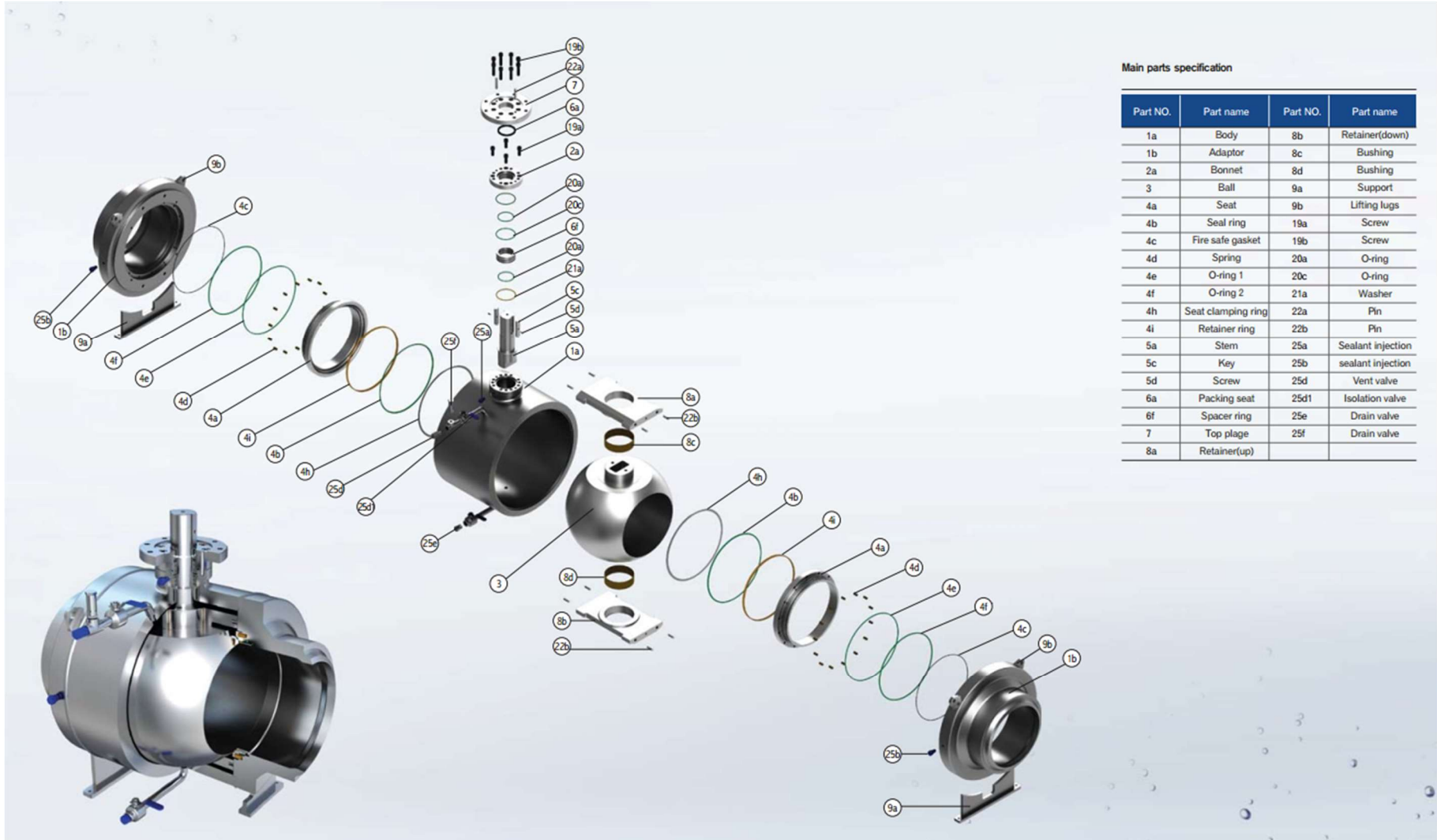
Connection end as required
Double piston effect seat
One side single piston effect seat and other side double piston effect seat
Sealant injection at seat and stem
Extended stem
Extended bonnet
Metal to metal seat
On-site maintenance pocket overlay
Seat or stem seal area overlay
Wetted parts overlay



LIST OF MATERIAL

No.	Item	Carbon Steel	Stainless Steel	No.	Item	Carbon Steel	Stainless Steel
1a	Left Body	ASTM A105	ASTM A182 F316	6f	Spacer Ring	ASTM A276 410	ASTM A276 410
1b	Right Body	ASTM A105	ASTM A182 F316	7	Operator Flange	ASTM A105	ASTM A276 F316
1c	Bonnet	ASTM A105	ASTM A182 F316	8a	Retainer(up)	ASTM A105	ASTM A276 F316
3	Ball	ASTM A105+ENP	ASTM A182 F316	8b	Retainer(down)	ASTM A105	ASTM A276 F316
4a	Seat	ASTM A105+ENP	ASTM A182 F316	8d	Bushing	C.S+PTFE	304S.S+PTFE
4b	Seal Ring	VITON AED or RPTFE	VITON AED or RPTFE	19a	Screw	ASTM A193 B7	ASTM A193 B8
4c	Fire Safe Gasket	Graphite	Graphite	20a	O-ring	VITON	VITON
4d	Spring	Inconel X-750	Inconel X-750	20c	O-ring	VITON	VITON
4e	O-ring 1	VITON	VITON	21a	Washer	PTFE	PTFE
4f	O-ring 2	VITON	VITON	21b	Adjust Washer	PTFE	PTFE
4h	Seat Clamping Ring	ASTM A105	ASTM A276 316	21c	Friction Washer	PTFE	PTFE
4i	Retainer Ring	304S.S	304S.S	22a	Pin	AISI 1035	ASTM A276 410
5a	Stem	ASTM A182 F6a	ASTM A182 F316	22b	Pin	AISI 1035	ASTM A276 410
5c	Key	AISI 1045	AISI 1045	25a	Sealant Injection	Carboon Steel	Stainless Steel
5d	Screw	ASTM A193 B7	ASTM A193 B8	25b	Sealant Injection	Carboon Steel	Stainless Steel
6a	Packing Seat	ASTM A276 410	ASTM A276 F316	25d	Reliving Valve	Carboon Steel	Stainless Steel
6c	Gland	ASTM A105	ASTM A182 F316	25e	Drain Valve/Plug	Carboon Steel	Stainless Steel

Exploded Drawing of Cylindrical Type Fully Welded Ball Valve



Main parts specification

Part NO.	Part name	Part NO.	Part name
1a	Body	8b	Retainer(down)
1b	Adaptor	8c	Bushing
2a	Bonnet	8d	Bushing
3	Ball	9a	Support
4a	Seat	9b	Lifting lugs
4b	Seal ring	19a	Screw
4c	Fire safe gasket	19b	Screw
4d	Spring	20a	O-ring
4e	O-ring 1	20c	O-ring
4f	O-ring 2	21a	Washer
4h	Seat clamping ring	22a	Pin
4i	Retainer ring	22b	Pin
5a	Stem	25a	Sealant injection
5c	Key	25b	sealant injection
5d	Screw	25d	Vent valve
6a	Packing seat	25d1	Isolation valve
6f	Spacer ring	25e	Drain valve
7	Top plate	25f	Drain valve
8a	Retainer(up)		

LIST OF MATERIAL

No.	Item	Carbon Steel	Stainless Steel	No.	Item	Carbon Steel	Stainless Steel
1a	Body	ASTM A105	ASTM A182 F316	8b	Retainer(down)	ASTM A105	ASTM A276 316
1b	Adaptor	ASTM A105	ASTM A182 F316	8c	Bushing	C.S+PTFE	S.S+PTFE
2a	Bonnet	ASTM A105	ASTM A182 F316	8d	Bushing	C.S+PTFE	S.S+PTFE
3	Ball	ASTM A105+ENP	ASTM A182 F316	9a	Support	C.S	C.S
4a	Seat	ASTM A105+ENP	ASTM A182 F316	9b	Lifting lugs	C.S	C.S
4b	Seal Ring	VITON AED or RPTFE	VITON AED or RPTFE	19a	Screw	ASTM A193 B7	ASTM A193 B8
4c	Fire Safe Gasket	Graphite	Graphite	19b	Screw	ASTM A193 B7	ASTM A193 B8
4d	Spring	Inconel X-750	Inconel X-750	20a	O-Ring	VITON	VITON
4e	O-Ring 1	VITON	VITON	20c	O-Ring	VITON	VITON
4f	O-Ring 2	VITON	VITON	21a	Washer	PTFE	PTFE
4h	Seat Clamping Ring	ASTM A105+ENP	ASTM A182 F316	22a	Pin	AISI 1035	ASTM A276 410
4i	Retainer Ring	304S.S	304S.S	22b	Pin	AISI 1035	ASTM A276 410
5a	Stem	ASTM A182 F6a	ASTM A182 F316	25a	Sealant Injection	Carbon Steel	Stainless Steel
5c	Key	AISI 1045	AISI 1045	25b	Sealant Injection	Carbon Steel	Stainless Steel
5d	Screw	ASTM A193 B7	ASTM A193 B8	25d	Vent Valve	Carbon Steel	Stainless Steel
6a	Packing Seat	ASTM A276 410	ASTM A276 316	25d1	Isolation Valve	Carbon Steel	Stainless Steel
6f	Spacer Ring	ASTM A276 410	ASTM A276 316	25e	Drain Valve	Carbon Steel	Stainless Steel
7	Top Flange	ASTM A105	ASTM A276 316	25f	Drain Valve	Carbon Steel	Stainless Steel
8a	Retainer(up)	ASTM A105	ASTM A276 316				

Metal to Metal Ball Valve Pressure Class: 150 thru 2500 Size: 1/2" thru 64"

Metal-to-metal wear-resisting ball valve summary

The valve structure can be designed casting or forging type body, seat is Metal-to-metal type, and have floating ball and trunnion mounted ball form. Overlay on ball and seat seal area are made with HVOF.

The HVOF process is use of combustible gas and oxygen combustion in special chamber, and then generating high temperature and speed flame, the speed about 1500~2000m/s, by an inert gas the powder is sent into the combustion chamber, and the powder will be melted down or half melted and its speed will be increased to 300~500m/s or higher, so that the coating layer will be high strength, compact and better quality.

The HVOF is use of a DC arc between cathod and anode, the arc heat and ionize work gas into high temperature plasma, and spray out plasma flame form nozzle. When powder is sent into plasma flame, it will be melted down, accelerated and sprayed on pretreatment base material, and formed into coating.



Design Feature

Standard design

- API 6D, API 608, ISO 17292, ASME VIII design and construction
- ASME B16.5, B16.25 connection end
- Anti-blowout stem
- Fire-safe, anti-static
- Floating ball type
- Trunnion mounted ball type
- DBB structure
- Self-Relieving Seat Effect (only for trunnion mounted)
- Fire-safe acc to ISO 10497, API 607, API 6FA, BS 6755-2

Optional design

- Connection end as required
- Single piston effect seat
- One side single piston effect seat and other side double piston effect seat
- Extended stem
- Extended bonnet
- Metal to metal seat
- On-site maintenance pocket overlay
- Seat or stem seal area overlay
- Wetted parts overlay

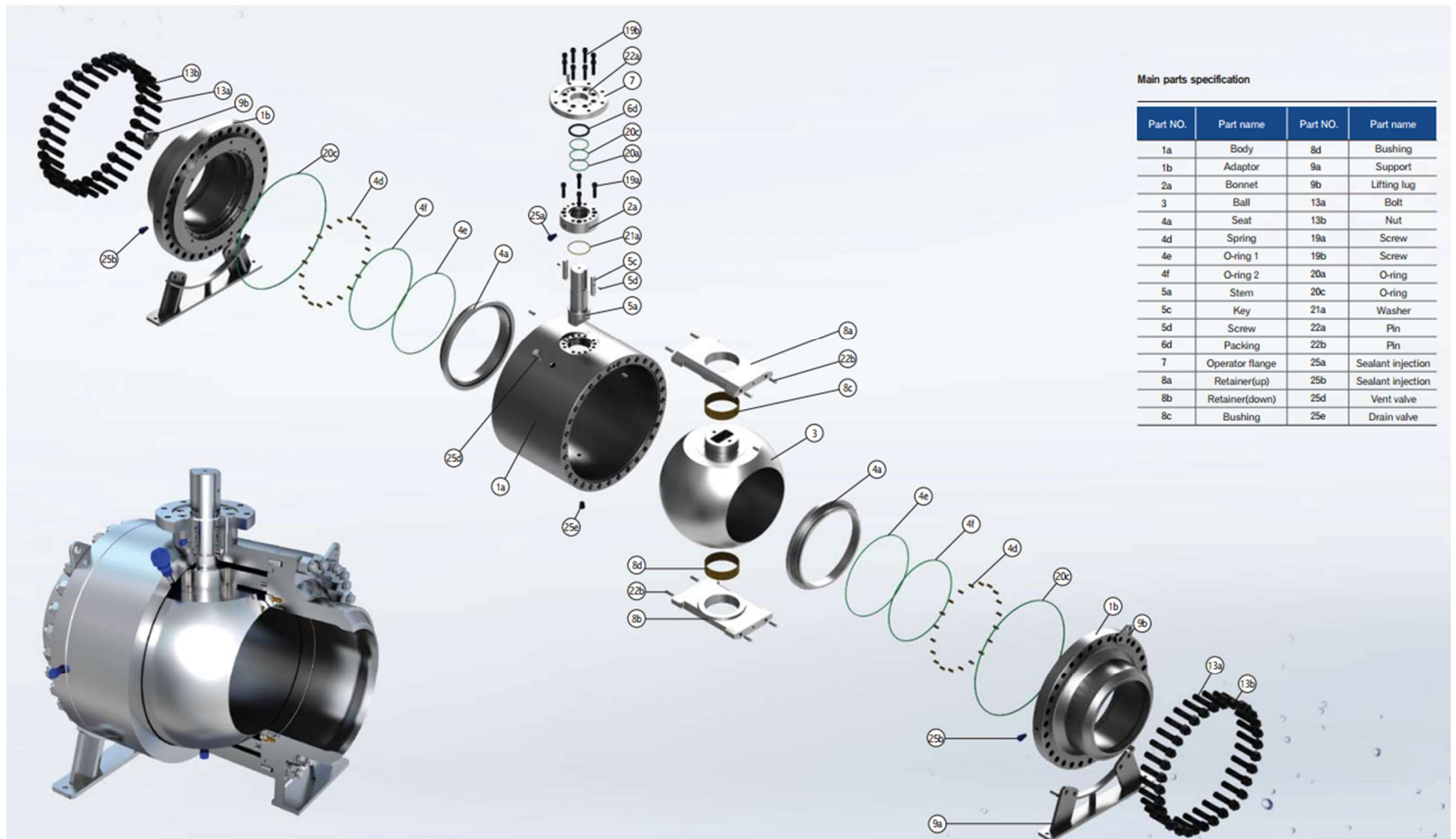


SVI Metal to Metal Seated Ball Valve

Product Line Technical Data

YOUR ONE-STOP VALVE SOURCING CHANNEL

Exploded Drawing of Metal to Metal Seat Ball Valve



LIST OF MATERIAL

No.	Item	Carbon Steel	Stainless Steel	No.	Item	Carbon Steel	Stainless Steel
1a	Body	ASTM A105	ASTM A182 F3	8d	Bushing	C.S+PTFE	304S.S+PTFE
1b	Adaptor	ASTM A105	ASTM A182 F304	9a	Support	C.S	C.S
2a	Bonnet	ASTM A105	ASTM A182 F304	9b	Lifting lugs	C.S	C.S
3	Ball	ASTM A105+ENP	ASTM A182 F304	13a	Bolt	ASTM A193 B7	ASTM A193 B8
4a	Seat	ASTM A105+ENP	ASTM A182 F304	13b	Nut	ASTM A194 2H	ASTM A194 8
4d	Spring	Inconel X-750	Inconel X-750	19a	Screw	ASTM A193 B7	ASTM A193 B8
4e	O-ring1	VITON	VITON	19b	Screw	ASTM A193 B7	ASTM A193 B8
4f	O-ring2	VITON	VITON	20a	O-ring	VITON	VITON
5a	Stem	ASTM A182 F6a	ASTM A182 F304	20c	O-ring	VITON	VITON
5c	Key	AISI 1045	AISI 1045	21a	Washer	PTFE	PTFE
5d	Screw	ASTM A193 B7	ASTM A193 B8	22a	Pin	AISI 1035	ASTM A276 410
6d	Packing	Graphite	Graphite	22b	Pin	AISI 1035	ASTM A276 410
7	Operator Flange	ASTM A105	ASTM A276 304	25a	Sealant Injection	Carbon Steel	Stainless Steel
8a	Retainer(up)	ASTM A105	ASTM A276 304	25b	Sealant Injection	Carbon Steel	Stainless Steel
8b	Retainer(down)	ASTM A105	ASTM A276 304	25d	Vent Valve	Carbon Steel	Stainless Steel
8c	Bushing	C.S+PTFE	304S.S+PTFE	25e	Drain Valve	Carbon Steel	Stainless Steel

Cryogenic Ball Valve

Pressure Class: 150 thru 2500

Size: 1/2" thru 36"

Cryogenic service ball valve summary

The valve structure can be designed casting or forging type, seat seal type have soft-seal and metal-to-metal seal, and have floating ball and trunnion mounted ball form.

To prevent abnormal rising pressure in the valve body cavity, at upstream side the ball will be made a hole to connect body cavity between upstream pipeline and balance pressure, So at installing need to consider the medium flow direction. The valve seat structure is used DBB type, that can self-relieving pressure into upstream or downstream pipeline when the body cavity pressure abnormal rising.

Between body and seat the seal type is designed double Lip-seal or with reversed-load double Lip-seal. Between stem and packing is used Lip-seal + graphite type. The valve packing will be loaded Belleville spring in order to prevent looseness.

The valve bonnet is designed extended-bonnet type acc. To different service temperature in order to keep packing seat temperature above 0°C. The length of extended section acc to MESC SPE 77/200, the specific dimension as shown in the following table.

Design Feature

Standard design

API 6D, BS6364, MESC SPE 77/200, ASME VIII design and construction
 ASME B16.5, B16.25 connection end
 Anti-blowout stem
 Fire-safe, anti-static
 Floating ball type
 Trunnion mounted ball type
 DBB structure
 Self-Relieving Seat Effect (only for trunnion mounted)
 Fire-safe acc to ISO 10497, API 607, API 6FA, BS 6755-2

Optional design

Connection end as required
 Single piston effect seat
 One side single piston effect seat and other side double piston effect seat
 ≥-46°C, seat material is made of ptfе; at -46°C~196°C, seat material is made of pctfe.
 Lip-seal design type
 Extended stem
 Extended bonnet
 Metal to metal seat
 On-site maintenance pocket overlay
 Seat or stem seal area overlay
 Wetted parts overlay

mm(inch)

Extended Bonnet Neck Height

Min design temperature		15 (1/2)	40 (11/2)	80 (3)	150 (6)	250 (10)	350 (14)	450 (18)	700 (28)	900 (36)
Min °C (°F)	Max °C (°F)	25 (1)	50 (2)	100 (4)	200 (8)	300 (12)	400 (16)	600 (24)	800 (32)	1200 (48)
-196 (-321)	-110 (-166)	200 (7.9)	250 (9.8)	300 (11.8)	350 (13.8)	400 (15.8)	450 (17.7)	500 (19.7)	550 (21.7)	600 (23.6)
-109 (-165)	-50 (-58)	100 (3.9)	125 (4.9)	150 (5.9)	175 (6.9)	200 (7.9)	250 (9.8)	300 (11.8)	350 (13.8)	400 (15.8)
-49 (-57)	-30 (-22)	100 (3.9)	125 (4.9)	150 (5.9)	175 (6.9)	200 (7.9)	225 (8.9)	250 (8.9)	275 (10.8)	300 (11.8)

Exploded Drawing of Cryogenic Ball Valve



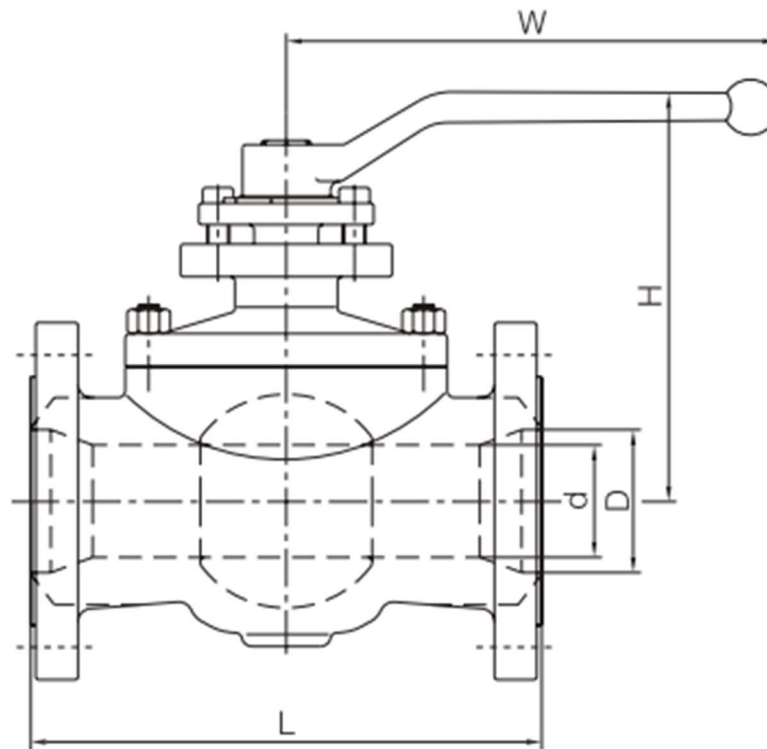
Main parts specification

Part NO.	Part name	Part NO.	Part name
1a	Body	5d	Screw
2a	Bonnet	6a	Packing seat
3	Ball	6g	Down packing
4a	Seat	6h	Middle packing
4b	Seal-ring	6i	Up packing
4c	Fire safe gasket	7	Top flange
4d	Spring	12a	Gasket
4e	O-ring 1	13a	Bolt
4f	O-ring 2	13b	Nut
4g	Seat clamping ring	19b	Screw
4h	Screw	20a	O-ring
4i	Retainer ring	20b	O-ring
4j	Lip-seal	20c	O-ring
4k	Lip-seal	20d	O-ring
4L	Fire safe gasket	20e	O-ring
5a	Stem	24a	Anti-static spring
5c	Key	24b	Anti-static ball

LIST OF MATERIAL

No.	Item	Carbon Steel	Stainless Steel	No.	Item	Carbon Steel	Stainless Steel
1a	Body	ASTM A216 WCB	ASTM A351 CF8M	5d	Screw	ASTM A193 B7	ASTM A193 B8
2a	Bonnet	ASTM A216 WCB	ASTM A351 CF8M	6a	Packing Seat	ASTM A276 410	ASTM A182 F316
3	Ball	ASTM A105+ENP	ASTM A182 F316	6g	Down Packing	PTFE	PTFE
4a	Seat	ASTM A105+ENP	ASTM A182 F316	6h	Middle Packing	PTFE	PTFE
4b	Seal Ring	VITON AED or RPTFE	VITON AED or RPTFE	6i	Up Packing	PTFE	PTFE
4c	Fire Safe Gasket	Graphite	Graphite	7	Top Flange	ASTM A105	ASTM A276 316
4d	Spring	Inconel X-750	Inconel X-750	12a	Gasket	304S.S+Graphite	304S.S+Graphite
4e	O-Ring	VITON	VITON	13a	Bolt	ASTM A193 B7	ASTM A193 B8
4f	O-Ring	VITON	VITON	13b	Nut	ASTM A194 2H	ASTM A194 8
4g	Seat Clamping Ring	ASTM A105+ENP	ASTM A182 F316	19b	Screw	ASTM A193 B7	ASTM A193 B8
4h	Screw	ASTM A193 B7	ASTM A193 B8	20a	O-ring	VITON	VITON
4i	Retainer Ring	304S.S	304S.S	20b	O-ring	VITON	VITON
4j	Lip-Seal	S.S+PTFE	S.S+PTFE	20c	O-ring	VITON	VITON
4k	Lip-Seal	S.S+PTFE	S.S+PTFE	20d	O-ring	VITON	VITON
4l	Fire Safe Gasket	Graphite	Graphite	20e	O-ring	VITON	VITON
5a	Stem	ASTM A182 F6a	ASTM A182 F316	24a	Anti-static Spring	304S.S	304S.S
5c	Key	AISI 1045	AISI 1045	24b	Anti-static Ball	304S.S	304S.S

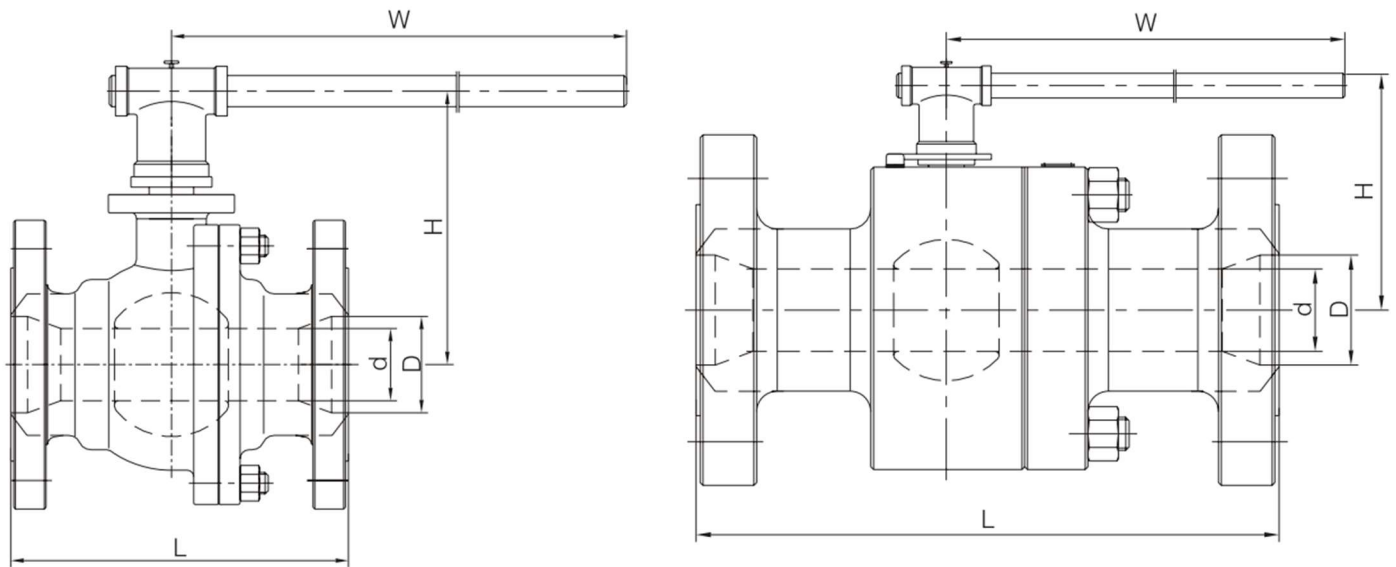
Dimension of Top Entry Floating Ball Valve



Class		CLASS 150/300 Full bore					CLASS 400/600 Full bore				
NPS	d	L-RF	L-RTJ	L-WE	H	W	L-RF	L-RTJ	L-WE	H	W
1/2"	13	140	151	140	95	130	165	167	165	95	130
3/4"	19	152	165	152	110	150	190	190	190	115	150
1"	25	165	178	165	125	150	216	216	216	125	150
1 1/2"	38	191	203	191	150	200	241	241	241	155	200
2"	49	216	232	216	175	210	292	295	292	165	310

Class			CLASS 150/300 Reduced bore					CLASS 400/600 Reduced bore				
NPS	D	d	L-RF	L-RTJ	L-WE	H	W	L-RF	L-RTJ	L-WE	H	W
3/4"x1/2"	19	13	152	165	152	95	130	190	190	190	95	130
1"x3/4"	25	19	165	178	165	110	150	216	216	216	115	150
1 1/2"x1"	38	32	191	203	191	125	150	241	241	241	125	150
2"x1 1/2"	49	38	216	232	216	150	200	292	295	292	155	200
3"x2"	74	49	283	299	283	175	210	356	359	356	165	310

Dimension of Side Entry Floating Ball Valve – Full Bore



Class		CLASS 150 full bore						CLASS 300 Full bore					
NPS	d	L-RF	L-RTJ	L-WE	H	W	Weight(Kg)	L-RF	L-RTJ	L-WE	H	W	Weight(Kg)
1/2"	13	108	108	140	81	150	2.8	140	151	140	81	150	3
3/4"	19	117	117	152	85	150	3.7	152	165	152	85	150	4
1"	25	127	140	165	98	180	5.3	165	178	165	98	180	6.6
1 1/2"	38	165	178	190	133	280	8.3	190	203	190	133	280	12.9
2"	49	178	191	216	141	280	15	216	232	216	141	280	21.4
2 1/2"	62	191	203	241	139	400	22.5	241	257	241	139	400	32.5
3"	74	203	216	283	150	400	27	283	298	283	150	400	45
4"	100	229	241	305	223	650	44.2	305	321	305	223	650	64.8
6"	150	394	406	457	297	*280	127.6	403	419	403	297	*300	147.5
8"	201	457	470	521	378	*280	221.8	502	518	521	378	*300	287.5
10"	252	533	546	559	408	*400	430	568	584	559	408	*400	550
12"	303	610	622	635	430	*400	680						

Class		CLASS 400 Full bore						CLASS 600 Full bore					
NPS	d	L-RF	L-RTJ	L-WE	H	W	Weight(Kg)	L-RF	L-RTJ	L-WE	H	W	Weight(Kg)
1/2"	13	165	167	165	66	150	3.5	165	167	165	66	150	3.5
3/4"	19	190	190	190	88	170	5	190	190	190	88	170	5
1"	25	216	216	216	90	250	7.5	216	216	216	90	250	7.5
1 1/2"	38	241	241	241	120	400	15	241	241	241	120	400	15
2"	49	292	295	292	135	400	29.4	292	295	292	135	400	29.4
2 1/2"	62	330	333	330	150	400	39.3	330	333	330	150	400	39.3
3"	74	356	359	356	164	400	58.2	356	359	356	164	400	58.2
4"	100	406	410	406	224	995	81.2	432	435	432	224	995	81.2

SVI Ball Valve Dimension

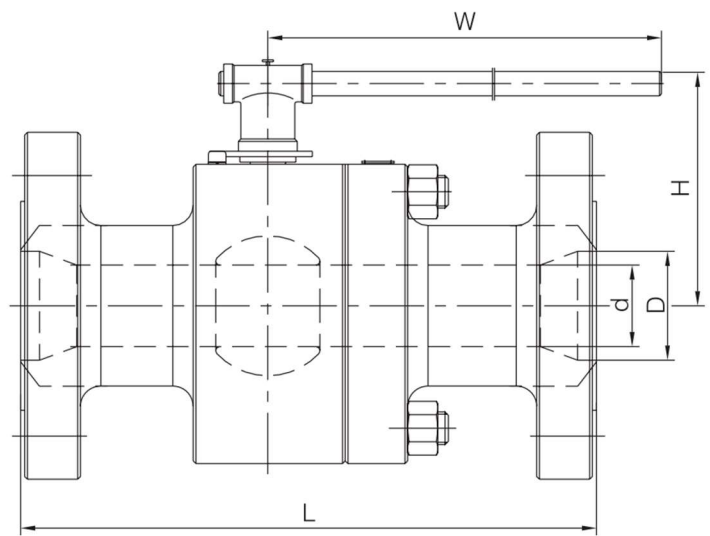
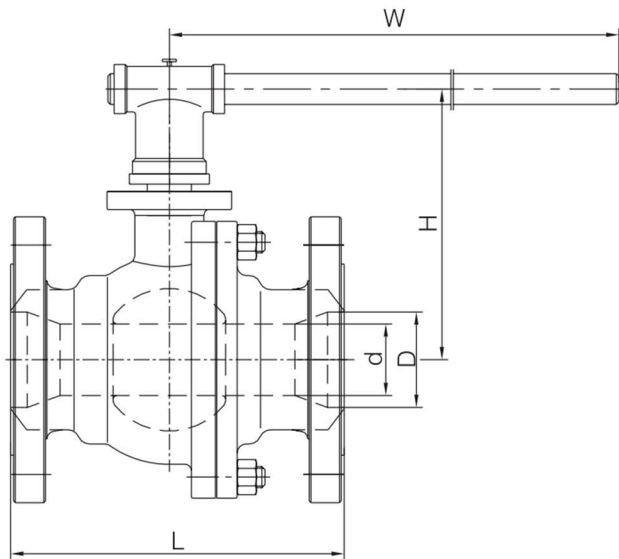
Product Line Technical Data

YOUR ONE-STOP VALVE SOURCING CHANNEL

Class		CLASS 900 Full bore						CLASS 1500 Full bore					
NPS	d	L-RF	L-RTJ	L-WE	H	W	Weight(Kg)	L-RF	L-RTJ	L-WE	H	W	Weight(Kg)
1/2"	13	216	216	216	75	140	5	216	216	216	75	140	5
3/4"	19	229	229	229	91	180	8	229	229	229	91	180	8
1"	25	254	254	254	108	250	10	254	254	254	108	250	10
1 1/2"	38	305	305	305	133	400	20	305	305	305	133	400	20
2"	49	368	371	368	150	500	30	368	371	368	150	500	30
2 1/2"	62	419	422	419	155	500	42	419	422	419	155	500	42
3"	74	381	384	381	160	500	55	368	371	368	160	500	65
4"	100												

Class		CLASS 2500 Full bore					
NPS	d	L-RF	L-RTJ	L-WE	H	W	Weight(Kg)
1/2"	13	264	264	264	88	230	7.5
3/4"	19	273	273	273	117	230	12
1"	25	308	308	308	128	300	15
1 1/2"	38	384	387	384	148	400	30
2"	42	451	454	451	183	500	37.5

Dimension of Side Entry Floating Ball Valve – Reduced Bore



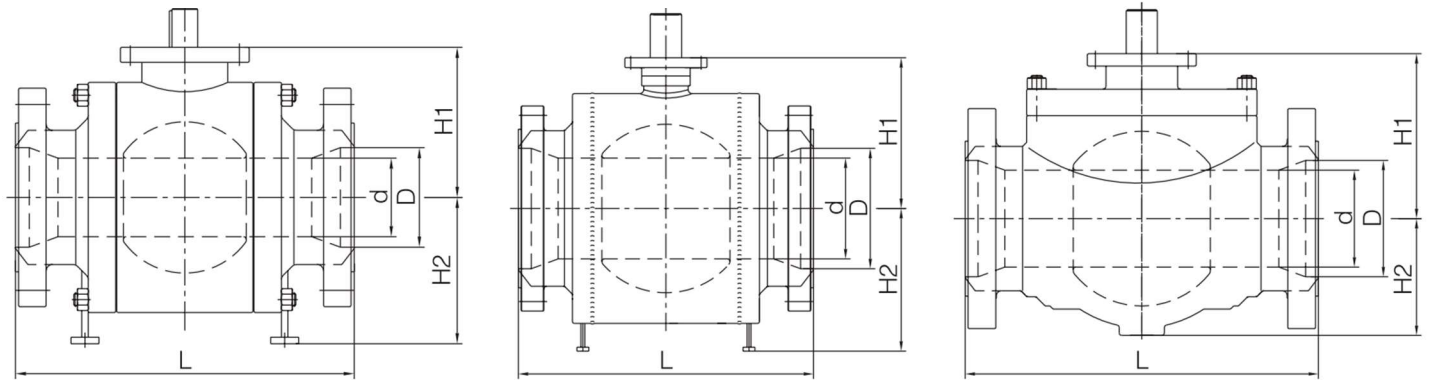
Class			CLASS 150 Reduced bore						CLASS 300 Reduced bore					
NPS	D	d	L-RF	L-RTJ	L-WE	H	W	Weight(Kg)	L-RF	L-RTJ	L-WE	H	W	Weight(Kg)
3/4"x1/2"	19	13	117	117	152	81	150	3.5	152	165	152	81	150	3.7
1"x3/4"	25	19	127	140	165	85	150	5	165	178	165	85	150	5.8
1 1/2"x1"	38	32	165	178	190	98	180	7.5	190	203	190	98	180	10.5
2"x1 1/2"	49	38	178	191	216	133	280	10	216	232	216	133	280	16.1
2 1/2"x2"	62	49	191	203	241	141	280	16	241	257	241	141	280	24.5
3"x2"	74	49	203	216	283	141	280	21	283	298	283	141	280	34.7
3"x2 1/2"	74	62	203	216	283	139	400	28	283	298	283	139	400	44
4"x3"	100	74	229	241	305	150	400	35	305	321	305	150	400	53
6"x4"	150	100	394	406	457	223	650	73	403	419	403	223	650	100
8"x6"	201	150	457	470	521	297	*280	120	502	518	521	297	*300	170
10"x8"	252	201	533	546	559	378	*280	200	502	518	521	378	*300	250
12"x10"	303	252	610	622	635	408	*400	470	568	584	559	408	*400	
14"x12"	334	303	686	699	762	430	*400	500						

Class			CLASS 400 Reduced bore						CLASS 600 Reduced bore					
NPS	D	d	L-RF	L-RTJ	L-WE	H	W	Weight(Kg)	L-RF	L-RTJ	L-WE	H	W	Weight(Kg)
3/4"x1/2"	19	13	190	190	190	66	150	4	165	167	165	66	150	4
1"x3/4"	25	19	216	216	216	88	170	5.5	190	190	190	88	170	5.5
1 1/2"x1"	38	32	241	241	241	90	250	10.5	216	216	216	90	250	10.5
2"x1 1/2"	49	38	292	295	292	120	400	20	241	241	241	120	400	20
2 1/2"x2"	62	49	330	333	330	135	400	25	330	333	330	135	400	25
3"x2"	74	49	356	359	356	135	400	29	356	359	356	135	400	29
3"x2 1/2"	74	62	356	359	356	150	400	42	356	359	356	150	400	42
4"x3"	100	74	406	410	406	164	400	59	432	435	432	164	400	59
6"x4"	150	100	495	498	495	224	995	95	432	435	432	224	995	95

Class			CLASS 900 Reduced bore						CLASS 1500 Reduced bore					
NPS	D	d	L-RF	L-RTJ	L-WE	H	W	Weight(Kg)	L-RF	L-RTJ	L-WE	H	W	Weight(Kg)
3/4"x1/2"	19	13	229	229	229	75	140	7	229	229	229	75	140	7
1"x3/4"	25	19	254	254	254	91	180	9.5	254	254	254	91	180	9.5
1 1/2"x1"	38	32	305	305	305	108	250	16.5	305	305	305	108	250	16.5
2"x1 1/2"	49	38	368	371	368	133	400	23	368	371	368	133	400	23
2 1/2"x2"	62	49	419	422	419	150	500	32	419	422	419	150	500	42
3"x2"	74	49	381	384	381	150	500	42	368	371	368	150	500	60
3"x2 1/2"	74	62	381	384	381	155	500	53	368	371	368	155	500	65
4"x3"	100	74	457	460	457	160	500	65	470	473	470	160	500	78
6"x4"	150	100												

Class			CLASS 2500 Reduced bore					
NPS	D	d	L-RF	L-RTJ	L-WE	H	W	Weight(Kg)
3/4"x1/2"	19	13	273	273	273	88	230	11
1"x3/4"	25	19	308	308	308	117	230	14
1 1/2"x1"	38	25	384	387	384	128	300	25
2"x1 1/2"	42	38	451	454	451	148	400	35
3"x2"	62	52	578	584	578	183	500	60

Dimension of Trunnion Mounted Ball Valve – Full Bore



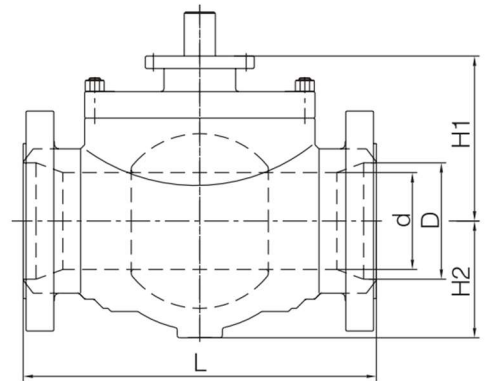
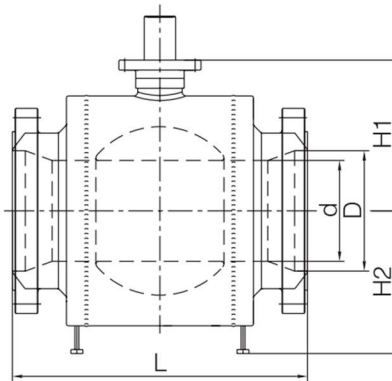
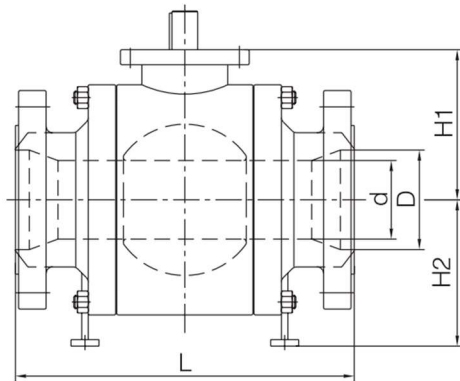
Dimension for Class 150

Valve type		Side entry						Fully welded						Top entry					
NPS	D	L-RF	L-RTJ	L-WE	H1	H2	Weight (Kg)	L-RF	L-RTJ	L-WE	H1	H2	Weight (Kg)	L-RF	L-RTJ	L-WE	H1	H2	Weight (Kg)
2"	49	178	191	216	106	102	16	178	191	216	106	102	14.5	292	295	292	207	85	30
2 1/2"	62	191	203	241	155	105	20	191	203	241	155	105	18	330	330	330	211	95	40
3"	74	203	216	283	157	111	39	203	216	283	157	111	35.5	356	359	356	223	114	57
4"	100	229	241	305	198	187	55	229	241	305	198	187	50	432	435	432	280	140	100
6"	150	394	406	457	242	235	169	394	406	457	242	235	135	559	562	559	275	219	215
8"	201	457	470	521	288	280	244	457	470	521	288	280	283	660	664	660	321	265	407
10"	252	533	546	559	323	320	439	533	546	559	323	320	430	787	791	787	355	315	560
12"	303	610	622	635	375	355	688	610	622	635	375	355	558	838	841	838	470	405	710
14"	334	686	699	762	430	400	886	686	699	762	430	400	793	889	892	889	455	432	760
16"	385	762	775	838	448	470	1215	762	775	838	448	470	1134	991	994	991	460	451	1100
18"	436	864	876	914	477	510	1625	864	876	914	477	510	1468	1092	1095	1092	503	472	1512
20"	487	914	927	991	520	550	1850	914	927	991	520	550	1946	1194	1200	1194	560	560	1930
22"	538	991	1003	1092	528	477	2359	991	1003	1092	528	477	2123	1295	1305	1295	565	591	2750
24"	589	1067	1080	1143	640	640	3120	1067	1080	1143	640	640	3200	1397	1407	1397	610	600	3200
26"	633	1143	1270	1245	675	700	4120	1143	1270	1245	675	700	3813	1448	1461	1448	670	632	3800
28"	684	1245	1376	1346	728	720	5200	1245	1376	1346	728	720	4505	1549	1562	1549	730	710	4600
30"	735	1295	1423	1397	749	780	5946	1295	1423	1397	749	780	4707	1651	1664	1651	800	790	5630
32"	779	1372	1555	1524	803	760	7020	1372	1555	1524	803	760	6287	1778	1794	1778	846	830	7085
34"	830	1473	1655	1626	850	900	7800	1473	1655	1626	850	900	7020	1930	1946	1930	870	880	7800
36"	874	1524	1758	1727	895	930	10300	1524	1758	1524	895	930	9450	2083	2099	2083	935	933	9100
40"	976	1753		1780	965	948	13350	1753		1780	965	948	11450	2337	2337	2337	1012	1030	12790
42"	1020	1790		1840	965	948	14280	1790		1840	965	948	12852	2437	2437	2437	1070	1065	15100
48"	1166	1995		2100	1097	1066	24210	1995		2100	1097	1066	24000	2540	2540	2540	1190	1230	22600
56"	1360	2300		2250	1302	1253	34100	2300		2250	1302	1253	30690						
60"	1458	2489		2489	1418	1380	38500	2489		2489	1418	1380	42300						

SVI Ball Valve Dimension

Product Line Technical Data

YOUR ONE-STOP VALVE SOURCING CHANNEL



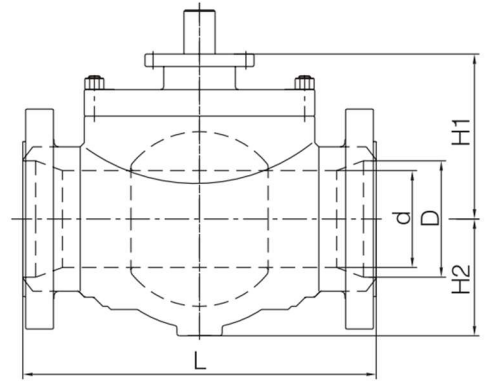
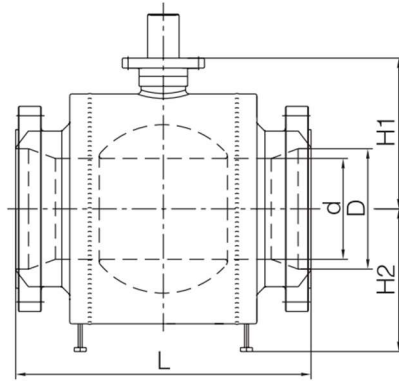
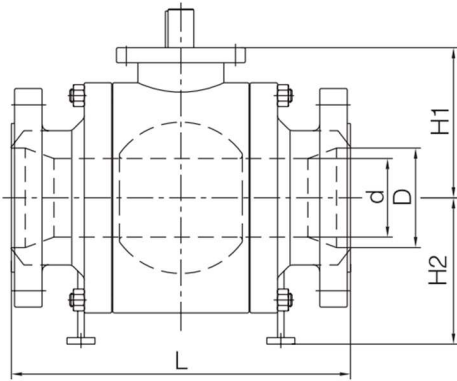
Dimension for Class 300

Valve type		Side entry						Fully welded						Top entry					
NPS	D	L-RF	L-RTJ	L-WE	H1	H2	Weight (Kg)	L-RF	L-RTJ	L-WE	H1	H2	Weight (Kg)	L-RF	L-RTJ	L-WE	H1	H2	Weight (Kg)
2"	49	216	232	216	100	85	21	216	232	216	100	85	19	292	295	292	211	90	36
2 1/2"	62	241	257	241	125	100	25	241	257	241	125	100	22.5	330	330	330	218	105	50
3"	74	283	298	283	158	121	50	283	298	283	158	121	45	356	359	356	226	119	63
4"	100	305	321	305	191	142	87	305	321	305	191	142	78.5	432	435	432	286	145	106
6"	150	403	419	403	242	235	192	403	419	403	242	235	140	559	562	559	282	224	221
8"	201	502	518	521	288	280	333	502	518	521	288	280	308	660	664	660	325	270	412
10"	252	568	584	559	337	320	559	568	584	559	337	320	469	787	791	787	360	320	566
12"	303	648	664	635	375	355	728	648	664	635	375	355	590	838	841	838	475	410	715
14"	334	762	778	762	407	400	985	762	778	762	407	400	845	889	892	889	460	437	766
16"	385	838	854	838	473	460	1390	838	854	838	473	460	1180	991	994	991	465	456	1106
18"	436	914	930	914	485	510	1810	914	930	914	485	510	1600	1092	1095	1092	508	477	1519
20"	487	991	1010	991	540	555	2350	991	1010	991	540	555	2112	1194	1200	1194	565	565	1936
22"	538	1092	1114	1092	560	575	2788	1092	1114	1092	560	575	2509	1295	1305	1295	572	596	2756
24"	589	1143	1165	1143	673	635	3715	1143	1165	1143	673	635	3300	1397	1407	1397	617	605	3208
26"	633	1245	1270	1245	677	700	4780	1245	1270	1245	677	700	4286	1448	1461	1448	678	637	3808
28"	684	1346	1372	1346	762	720	5600	1346	1372	1346	762	720	4920	1549	1562	1549	738	715	4607
30"	735	1397	1422	1397	772	800	6530	1397	1422	1397	772	800	5940	1651	1664	1651	811	795	5638
32"	779	1524	1553	1524	815	848	7820	1524	1553	1524	815	848	7050	1778	1794	1778	850	835	7092
34"	830	1626	1654	1626	820	8860	9040	1626	1654	1626	820	8860	8136	1930	1946	1930	877	885	7811
36"	874	1727	1756	1727	918	950	12010	1727	1756	1727	918	950	10205	2083	2099	2083	942	938	9112
40"	976	1850		1780	987	980	15000	1850		1780	987	980	12546	2337	2337	2337	1020	1036	12798
42"	1020	1900		1840	1012	1020	16105	1900		1840	1012	1020	17550	2437	2437	2437	1081	1070	15113
48"	1166	2180		2100	1208	1200	25300	2180		2100	1208	1200	22540	2540	2540	2540	1201	1236	22614
56"	1360	2300		2250	1285	1270	38155	2300		2250	1285	1270	34340						
60"	1458	2743		2743	1380	1440	46600	2743		2743	1380	1440	44910						

SVI Ball Valve Dimension

Product Line Technical Data

YOUR ONE-STOP VALVE SOURCING CHANNEL



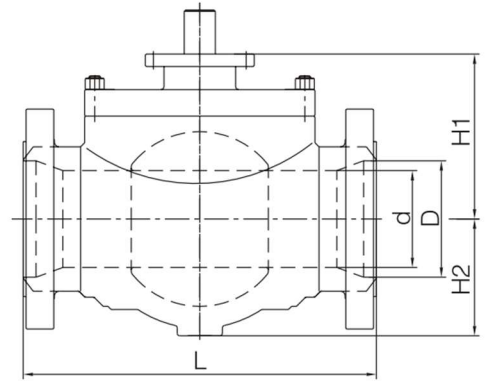
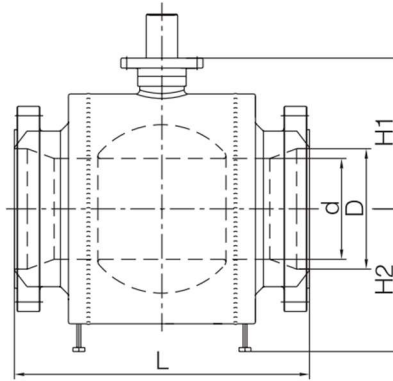
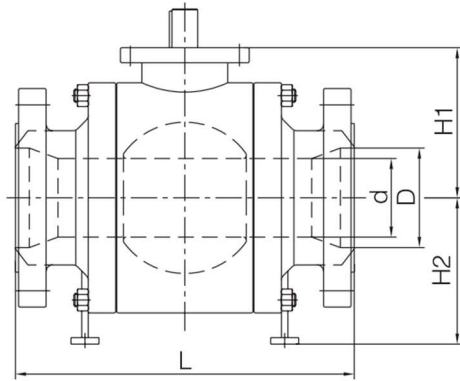
Dimension for Class 400

Valve type		Side entry						Fully welded						Top entry					
NPS	D	L-RF	L-RTJ	L-WE	H1	H2	Weight (Kg)	L-RF	L-RTJ	L-WE	H1	H2	Weight (Kg)	L-RF	L-RTJ	L-WE	H1	H2	Weight (Kg)
2"	49	292	295	292	102	98	36	292	295	292	12	98	32.5	292	295	292	240	85	41
2 1/2"	62	330	333	330	130	110	51	330	333	330	130	110	46	330	330	330	270	95	52
3"	74	356	359	356	165	128	72	356	359	356	165	128	65	356	359	356	305	116	67
4"	100	406	410	406	210	160	102	406	410	406	210	160	92	432	435	432	275	140	230
6"	150	495	498	495	242	235	230	495	498	495	242	235	180	559	562	559	296	180	420
8"	201	597	600	597	289	280	420	597	600	597	289	280	322	660	664	660	324	275	417
10"	252	673	676	673	337	320	630	673	676	673	337	320	496	787	791	787	365	325	570
12"	303	762	765	762	379	365	902	762	765	762	379	365	687	838	841	838	480	415	720
14"	334	826	829	826	398	395	1121	826	829	826	398	395	890	889	892	889	465	442	770
16"	385	902	905	902	453	470	1612	902	905	902	453	470	1345	991	994	991	470	461	1112
18"	436	978	981	978	500	510	2010	978	981	978	500	510	1678	1092	1095	1092	512	482	1523
20"	487	1054	1060	1054	540	560	2446	1054	1060	1054	540	560	2291	1194	1200	1194	570	570	1940
22"	538	1143	1153	1143	625	593	3787	1143	1153	1143	625	593	3411	1295	1305	1295	578	602	2760
24"	589	1232	1241	1232	641	660	4095	1232	1241	1232	641	660	3792	1397	1407	1397	622	610	3213
26"	633	1308	1321	1308	681	700	5020	1308	1321	1308	681	700	4500	1448	1461	1448	682	640	3813
28"	684	1397	1410	1397	738	760	6200	1397	1410	1397	738	760	5170	1549	1562	1549	742	722	4612
30"	735	1524	1537	1524	781	800	7370	1524	1537	1524	781	800	7542	1651	1664	1651	817	804	5640
32"	779	1651	1667	1651	819	850	9890	1651	1667	1651	819	850	8008	1778	1794	1778	855	840	7103
34"	830	1778	1794	1778	840	850	11336	1778	1794	1778	840	850	10202	1930	1946	1930	893	890	7822
36"	874	1880	1895	1880	920	880	13250	1880	1895	1880	920	880	11005	2083	2099	2083	947	944	9118
40"	976	2000		1900	987	980	18335	2000		1900	987	980	13540	2337	2337	2337	1025	1041	12805
42"	1020	2100		1950	1012	1020	21356	2100		1950	1012	1020	19220	2437	2437	2437	1086	1075	15118
48"	1166	2400		2180	1208	1200	31195	2400		2180	1208	1200	24000	2540	2540	2540	1506	1240	22619
56"	1360	2710		2385	1290	1450	47483	2710		2385	1290	1450	42735						
60"	1458	2949		2949	1510	1550	61500	2949		2949	1510	1550	47700						

SVI Ball Valve Dimension

Product Line Technical Data

YOUR ONE-STOP VALVE SOURCING CHANNEL



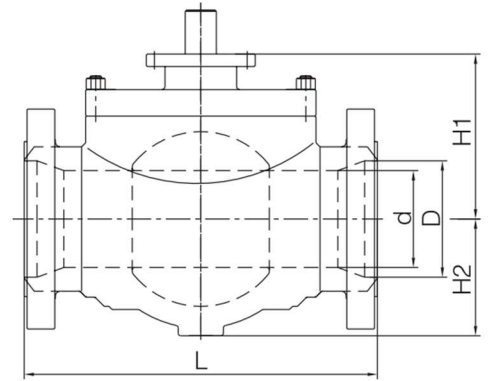
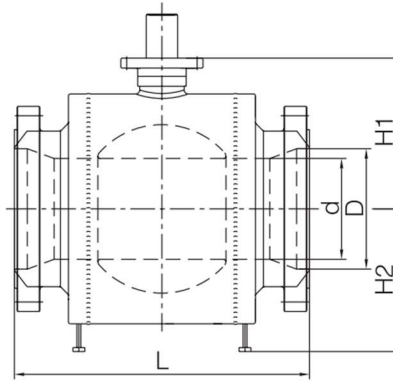
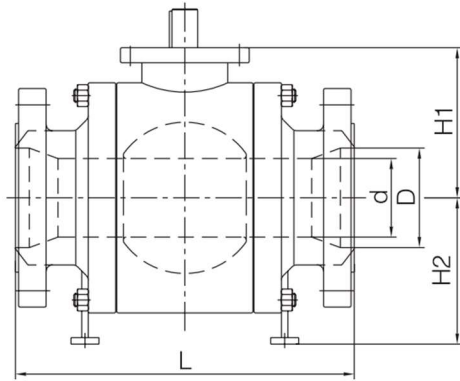
Dimension for Class 600

Valve type		Side entry							Fully welded						Top entry					
NPS	D	L-RF	L-RTJ	L-WE	H1	H2	Weight (Kg)	L-RF	L-RTJ	L-WE	H1	H2	Weight (Kg)	L-RF	L-RTJ	L-WE	H1	H2	Weight (Kg)	
2"	49	292	295	292	102	98	36	292	295	292	102	98	32.5	292	295	292	240	85	41	
2 1/2"	62	330	333	330	130	110	51	330	333	330	130	110	46	330	330	330	270	95	52	
3"	74	356	359	356	165	128	72	356	359	356	165	128	65	356	359	356	305	116	67	
4"	100	432	435	432	210	160	123	432	435	432	210	160	92	432	435	432	275	140	230	
6"	150	559	562	559	248	235	290	559	562	559	248	235	210	559	562	559	296	180	420	
8"	201	660	664	660	297	280	456	660	664	660	297	280	332	660	664	660	324	275	417	
10"	252	787	791	787	337	320	777	787	791	787	337	320	549	787	791	787	365	325	570	
12"	303	838	841	838	379	365	1029	838	841	838	379	365	750	838	841	838	480	415	720	
14"	334	889	892	889	398	400	1295	889	892	889	398	400	950	889	892	889	465	442	770	
16"	385	991	994	991	447	458	1732	991	994	991	447	458	1510	991	994	991	470	461	1112	
18"	436	1092	1095	1092	541	510	2400	1092	1095	1092	541	510	1860	1092	1095	1092	512	482	1523	
20"	487	1194	1200	1194	289	560	2820	1194	1200	1194	289	560	2465	1194	1200	1194	570	570	1940	
22"	538	1295	1305	1295	642	600	3787	1295	1305	1295	642	600	3411	1295	1305	1295	578	602	2760	
24"	589	1397	1407	1397	692	645	4770	1397	1407	1397	692	645	4220	1397	1407	1397	622	610	3213	
26"	633	1448	1461	1448	730	690	5785	1448	1461	1448	730	690	4850	1448	1461	1448	682	640	3813	
28"	684	1549	1562	1549	794	790	6900	1549	1562	1549	794	790	5560	1549	1562	1549	742	722	4612	
30"	735	1651	1664	1651	789	820	8355	1651	1664	1651	789	820	7542	1651	1664	1651	817	804	5640	
32"	779	1778	1794	1778	833	860	9890	1778	1794	1778	833	860	8480	1778	1794	1778	855	840	7103	
34"	830	1930	1946	1930	850	860	11336	1930	1946	1930	850	860	10202	1930	1946	1930	893	890	7822	
36"	874	2083	2099	2083	920	880	16170	2083	2099		920	880	11910	2083	2099	2083	947	944	9118	
40"	976	2000		1900	987	980	18335	2000		1900	987	980	14000	2169	2169	2169	1025	1041	12805	
42"	1020	2100		1950	1012	1020	21356	2100		1950	1012	1020	19220	2437	2437	2437	1086	1075	15118	
48"	1166	2400		2180	1208	1200	31195	2400		2180	1208	1200	24000	2435	2435	2435	1506	1240	22619	
56"	1360	2710		2385	1290	1450	47483	2710		2385	1290	1450	42735							
60"	1458	2949		2949	1510	1550	61500	2949		2949	1510	1550	47700							

SVI Ball Valve Dimension

Product Line Technical Data

YOUR ONE-STOP VALVE SOURCING CHANNEL



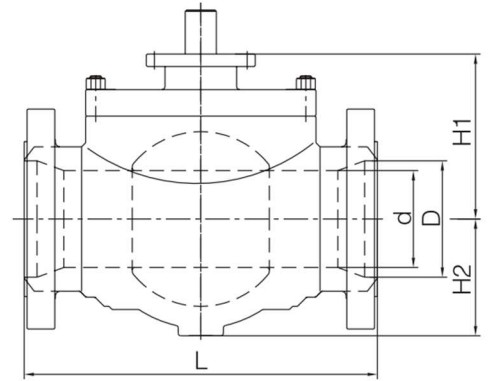
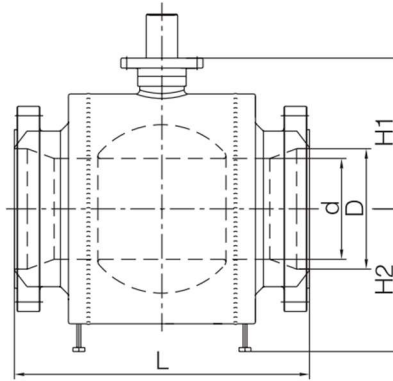
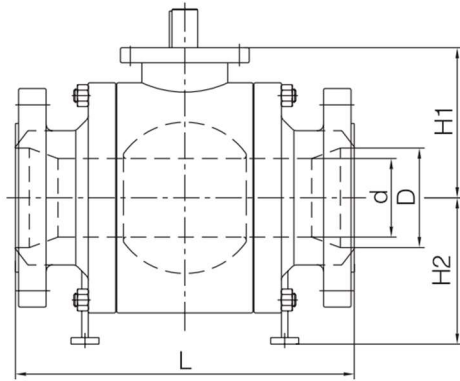
Dimension for Class 900

Valve type		Side entry						Fully welded						Top entry					
NPS	D	L-RF	L-RTJ	L-WE	H1	H2	Weight (Kg)	L-RF	L-RTJ	L-WE	H1	H2	Weight (Kg)	L-RF	L-RTJ	L-WE	H1	H2	Weight (Kg)
2"	49	368	371	368	104	103	70	368	371	368	104	103	45	368	371	368	295	110	52
2 1/2"	62	419	422	419	130	115	102	419	422	419	130	115	55	419	422	419	260	115	80
3"	74	381	384	381	163	132	105	381	384	381	163	132	68	381	384	381	230	122	110
4"	100	457	460	457	211	169	183	457	460	457	211	169	135	457	460	457	283	154	200
6"	150	610	613	610	259	213	372	610	613	610	259	213	234	610	613	610	329	203	430
8"	201	737	740	737	297	264	719	737	740	737	297	264	440	737	740	737	375	245	800
10"	252	838	841	838	342	333	1140	838	841	838	342	333	692	838	841	838	431	275	1000
12"	303	965	968	965	384	379	1426	965	968	965	384	379	1035	965	968	965	511	322	1300
14"	322	1029	1038	1029	398	368	1758	1029	1038	1029	398	368	1303	1029	1038	1029	520	443	1695
16"	373	1130	1140	1130	436	137	2630	1130	1140	1130	436	137	1795	1130	1140	1130	582	390	2560
18"	423	1219	1232	1219	484	497	3585	1219	1232	1219	484	497	2460	1219	1232	1219	580	487	3400
20"	471	1321	1334	1321	532	503	5190	1321	1334	1321	532	503	3240	1321	1334	1321	625	605	4400
22"	522	1435	1448	1435	575	565	5380	1435	1448	1435	575	565	4842	1435	1448	1435			
24"	570	1549	1568	1549	617	633	8515	1549	1568	1549	617	633	5088	1549	1568	1549	690	625	7200
26"	617	1651	1674	1651	635	660	9200	1651	1674	1651	635	660	5906	1651	1674	1651			
28"	665	1753	1775	1753	674	706	11630	1753	1775	1753	674	706	7116	1753	1775	1753	820	723	10400
30"	712	1880	1902	1880	723	777	13770	1880	1902	1880	723	777	10989	1880	1902	1880	880	800	12875
32"	760	2032	2054	2032	784	809	16600	2032	2054	2032	784	809	10470	2032	2054	2032	938	870	15950
34"	808	2159	2188	2159	807	852	17200	2159	2188	2159	807	852	15480	2159	2188	2159	982	920	17500
36"	855	2286	2315	2286	848	898	23235	2286	2315	2286	848	898	12900	2286	2315	2286	1050	990	20600
40"	956	2180	2210	2100	1160	1000	23260	2180	2210	2100	1160	1000	17930						
42"	1006	2250	2280	2180	1200	1080	27600	2250	2280	2180	1200	1080	21258						
48"	1149	2450	2480	2380	1262	1195	34800	2450	2480	2380	1262	1195	28000						
56"	1360	2949		2400	1416	1404	47483	2949		2400	1416	1404	42735						

SVI Ball Valve Dimension

Product Line Technical Data

YOUR ONE-STOP VALVE SOURCING CHANNEL



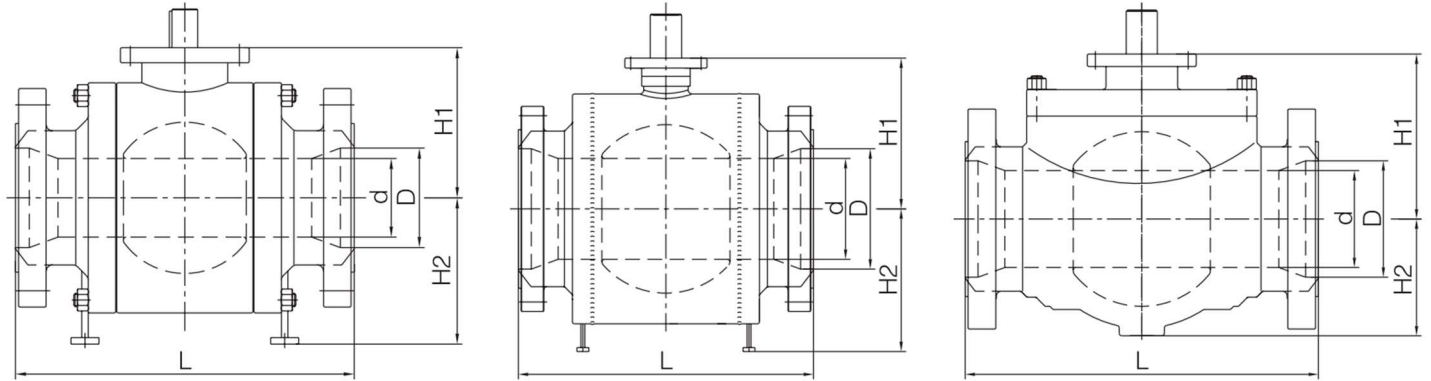
Dimension for Class 1500

Valve type		Side entry						Fully welded						Top entry					
NPS	D	L-RF	L-RTJ	L-WE	H1	H2	Weight (Kg)	L-RF	L-RTJ	L-WE	H1	H2	Weight (Kg)	L-RF	L-RTJ	L-WE	H1	H2	Weight (Kg)
2"	49	368	371	368	106	104	50	368	371	368	106	104	45	368	371	368	201	100	56
2 1/2"	62	419	422	419	130	115	72	419	422	419	130	115	67	419	422	419	215	110	100
3"	74	470	473	470	167	128	97	470	473	470	167	128	89	470	473	470	230	122	153
4"	100	546	549	546	179	170	198	546	549	546	179	170	179	546	549	546	293	164	278
6"	144	705	711	705	260	233	480	705	711	705	260	233	437	705	711	705	245	416	600
8"	192	832	841	832	304	290	820	832	841	832	304	290	745	832	841	832	465	273	1100
10"	239	991	1000	991	363	352	1500	991	1000	991	363	352	1357	991	1000	991	574	330	1438
12"	287	1130	1146	1130	417	425	2250	1130	1146	1130	417	425	2045	1130	1146	1130	520	427	2017
14"	315	1257	1276	1257	437	426	2850	1257	1276	1257	437	426	2565	1257	1276	1257	550	456	2612
16"	360	1384	1407	1384	475	493	4070	1384	1407	1384	475	493	3708	1384	1407	1384	565	487	3890
18"	406	1537	1559	1537	563	608	6195	1537	1559	1537	563	608	5634	1537	1559	1537	592	527	5100
20"	454	1664	1686	1664	617	645	9075	1664	1686	1664	617	645	7020	1664	1686	1664	650	630	6678
24"	546	1945	1972	1945	698	724	14280	1945	1972	1945	698	724	11120	1945	1972	1945	660	640	11700
28"	641	2032	2061	2032	941	1037	13100	2032	2061	2032	941	1037	11790						
30"	686	2286	2315	2286	1035	1066	14100	2286	2315	2286	1035	1066	12240						
32"	730	2415	2444	2415	1060	1165	15100	2415	2444	2415	1060	1165	13590						
36"	819	2743	2755	2743	1180	1306	18840	2743	2755	2743	1180	1306	16956						

SVI Ball Valve Dimension

Product Line Technical Data

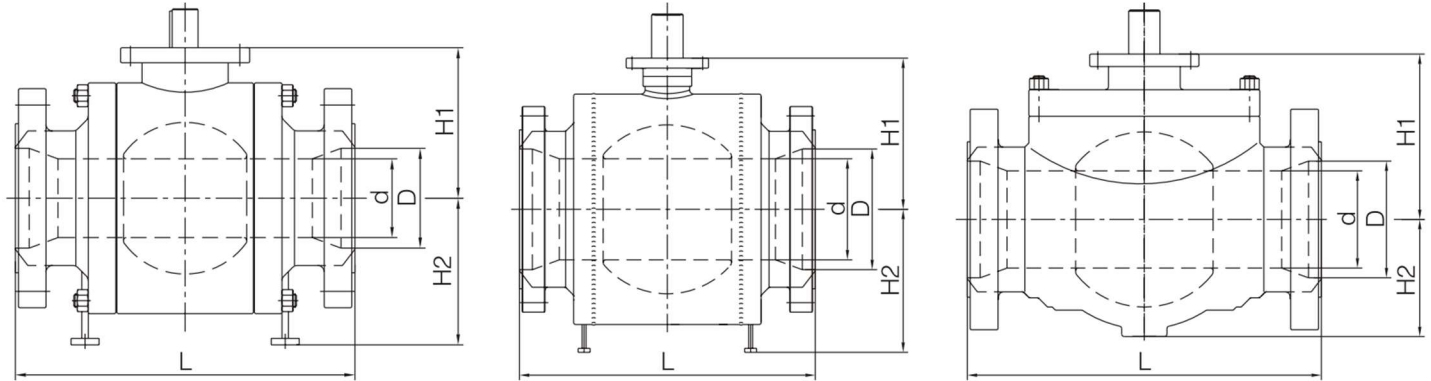
YOUR ONE-STOP VALVE SOURCING CHANNEL



Dimension for Class 2500

Valve type		Side entry						Top entry					
NPS	D	LRF	L-RTJ	LWE	H1	H2	Weight (Kg)	LRF	L-RTJ	LWE	H1	H2	Weight (Kg)
2"	42	451	454	451	120	127	88	451	454	451	212	98	120
2 1/2"	52	508	540	508	150	162	135	508	540	508	225	110	180
3"	62	578	584	578	177	198	187	578	584	578	243	122	246
4"	87	673	683	673	227	233	380	673	683	673	299	164	470
6"	131	914	927	914	264	252	770	914	927	914	355	243	937
8"	179	1022	1038	1022	383	339	1357	1022	1038	1022	424	292	1410
10"	223	1270	1292	1270	453	422	2100	1270	1292	1270	503	352	2600
12"	265	1422	1445	1422	520	482	3210	1422	1445	1422	588	436	4200
14"	292	1681	1681	1681	578	558	5520						
16"	333	1962	1962	1962	650	620	6520						
18"	374	2134	2134	2134	810	740	8630						
20"	419	2286	2286	2286	900	825	11640						

Dimension of Trunnion Mounted Ball Valve – Reduced Bore



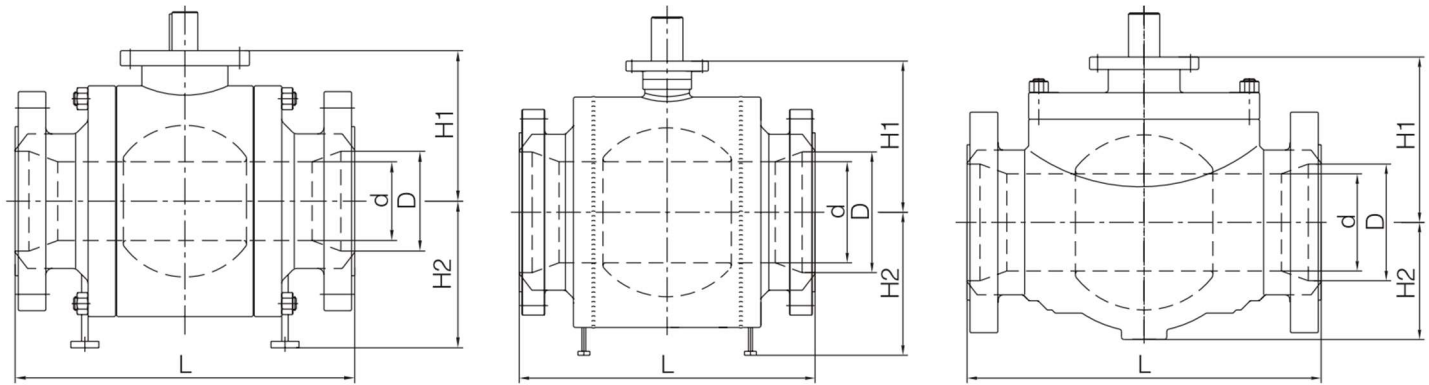
Dimension for Class 150

Valve type		Side entry							Fully welded						Top entry					
NPS	D	d	L-RF	L-RTJ	L-WE	H1	H2	Weight (Kg)	L-RF	L-RTJ	L-WE	H1	H2	Weight (Kg)	L-RF	L-RTJ	L-WE	H1	H2	Weight (Kg)
2"x1 1/2"	49	38	178	191	216	106	102	16	178	191	216	106	102	14.5	292	295	292	207	85	25
2 1/2"x2"	62	49	191	203	241	106	102	20	191	203	241	106	102	18	330	330	330	210	87	32
3"x2"	74	49	203	216	283	106	102	21	203	216	283	106	102	19	356	359	356	210	87	34
3"x2 1/2"	74	62	203	216	283	130	110	22	203	216	283	130	110	20	356	359	356	215	95	50
4"x3"	100	74	229	241	305	157	111	45	229	241	305	157	111	41	432	435	432	225	110	70
6"x4"	150	100	394	406	457	198	187	68	394	406	457	198	187	61.5	559	562	559	270	143	130
8"x6"	201	150	457	470	521	242	235	186	457	470	521	242	235	151	660	664	660	275	215	250
10"x8"	252	201	533	546	559	288	280	266	533	546	559	288	280	294	787	791	787	320	262	455
12"x10"	303	252	610	622	635	323	320	478	610	622	635	323	320	440	838	841	838	355	310	485
14"x10"	334	252	686	699	762	323	320	507	686	699	762	323	320	513	889	892	889	355	310	665
14"x12"	334	303	686	699	762	375	355	724	686	699	762	375	355	588	889	892	889	475	395	790
16"x12"	385	303	762	775	838	375	355	767	762	775	838	375	355	643	991	994	991	475	395	940
16"x14"	385	334	762	775	838	430	400	935	762	775	838	430	400	838	991	994	991	450	430	908
18"x16"	436	385	864	876	914	448	470	1265	864	876	914	448	470	1162	1092	1095	1092	460	450	1248
20"x16"	487	385	914	927	991	448	470	1310	914	927	991	448	470	1235	1194	1200	1194	460	450	1542
20"x18"	487	436	914	927	991	477	510	1670	914	927	991	477	510	1521	1194	1200	1194	495	470	1740
24"x20"	589	487	1067	1080	1143	520	550	1970	1067	1080	1143	520	550	2120	1397	1407	1397	550	580	2378
30"x24"	735	589	1295	1423	1397	640	640	3420	1295	1423	1397	640	640	3695	1651	1664	1651	590	592	4008
36"x30"	874	735	1524	1758	1727	749	780	6376	1524	1758	1727	749	780	5554	2083	2099	2083	795	765	7048
40"x36"	976	874	1753		1780	895	930	10700	1753		1780	895	930	9622						

SVI Ball Valve Dimension

Product Line Technical Data

YOUR ONE-STOP VALVE SOURCING CHANNEL



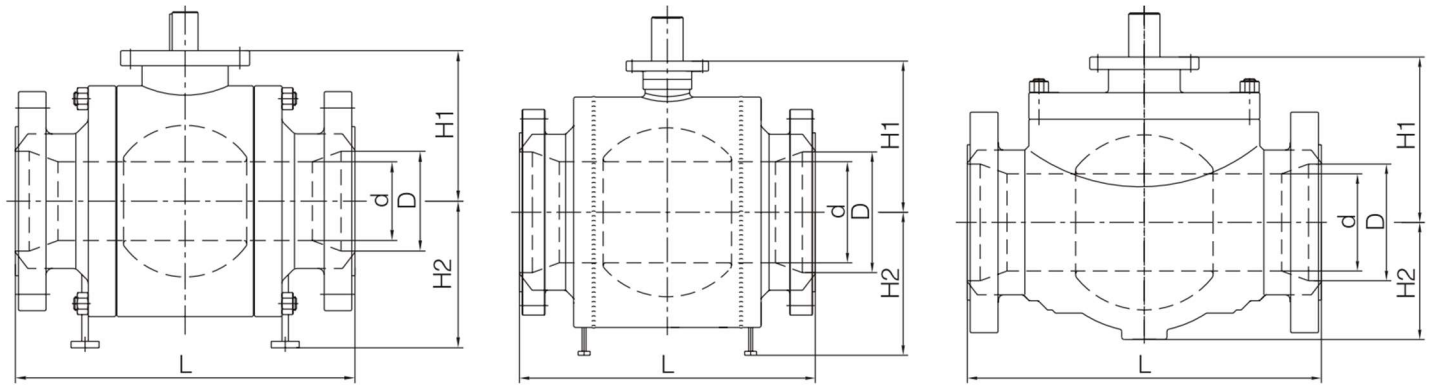
Dimension for Class 300

Valve type			Side entry						Fully welded						Top entry					
NPS	D	d	L-RF	L-RTJ	L-WE	H1	H2	Weight (Kg)	L-RF	L-RTJ	L-WE	H1	H2	Weight (Kg)	L-RF	L-RTJ	L-WE	H1	H2	Weight (Kg)
2"x1 1/2"	49	38	216	232	216	100	85	20	216	232	216	100	85	18	292	295	292	206	80	26
2 1/2"x2"	62	49	241	257	241	100	85	26	241	257	241	100	85	23.5	330	330	330	211	90	40
3"x2"	74	49	283	298	283	125	100	28	283	298	283	125	100	25	356	359	356	211	90	42
3"x2 1/2"	74	62	283	298	283	125	100	30.5	283	298	283	125	100	27.5	356	359	356	218	105	60
4"x3"	100	74	305	321	305	158	121	58	305	321	305	158	121	53	432	435	432	226	119	82
6"x4"	150	100	403	419	403	191	142	106	403	419	403	191	142	96	559	562	559	286	145	161
8"x6"	201	150	502	518	521	242	235	218	502	518	521	242	235	170	660	664	660	282	224	285
10"x8"	252	201	568	584	559	288	280	370	568	584	559	288	280	322	787	791	787	325	270	536
12"x10"	303	252	648	664	635	337	320	610	648	664	635	337	320	485	838	841	838	360	320	572
14"x10"	334	252	762	778	762	337	320	685	762	778	762	337	320	552	889	892	889	360	320	781
14"x12"	334	303	762	778	762	375	355	807	762	778	762	375	355	620	889	892	889	475	410	916
16"x12"	385	303	838	854	838	375	355	862	838	854	838	375	355	672	991	994	991	475	410	1092
16"x14"	385	334	838	854	838	407	400	1045	838	854	838	407	400	890	991	994	991	460	437	1095
18"x16"	436	385	914	930	914	473	460	1460	914	930	914	473	460	1208	1092	1095	1092	465	456	1462
20"x16"	487	385	991	1010	991	473	460	1545	991	1010	991	473	460	1292	1194	1200	1194	465	456	1809
20"x18"	487	436	991	1010	991	485	510	1900	991	1010	991	485	510	1657	1194	1200	1194	508	477	2023
24"x20"	589	487	1143	1165	1143	540	555	2550	1143	1165	1143	540	555	2335	1397	1407	1397	565	565	2774
30"x24"	735	589	1397	1422	1397	673	635	4210	1397	1422	1397	673	635	3900	1651	1664	1651	617	605	4665
36"x30"	874	735	1727	1756	1727	772	800	7250	1727		1727	772	800	6948	2083	2099	2083	811	795	8298
40"x36"	976	874	1850		1780	918	950	12000	1850		1780	918	950	10376						

SVI Ball Valve Dimension

Product Line Technical Data

YOUR ONE-STOP VALVE SOURCING CHANNEL



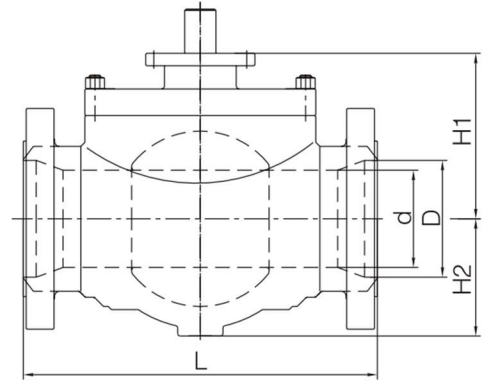
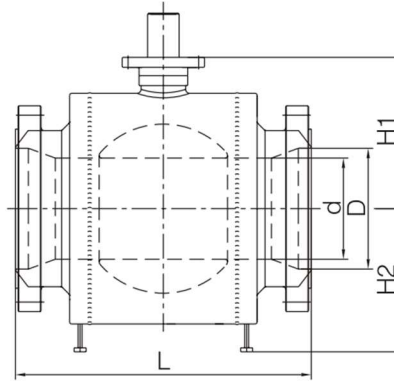
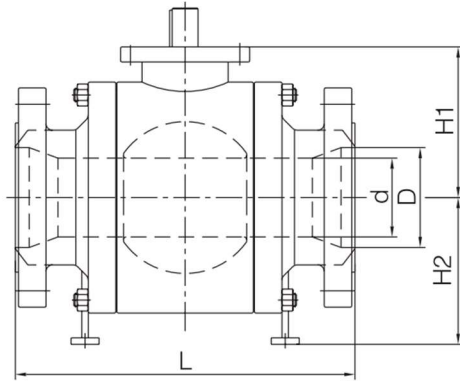
Dimension for Class 400

Valve type			Side entry						Fully welded						Top entry					
NPS	D	d	L-RF	L-RTJ	L-WE	H1	H2	Weight (Kg)	L-RF	L-RTJ	L-WE	H1	H2	Weight (Kg)	L-RF	L-RTJ	L-WE	H1	H2	Weight (Kg)
2"x1 1/2"	49	38	292	295	292	102	98	35	292	295	292	102	98	31.5	292	295	292	210	85	34
2 1/2"x2"	62	49	330	333	330	102	98	40	330	333	330	102	98	36	330	330	330	215	95	40
3"x2"	74	49	356	359	356	130	110	50	356	359	356	130	110	45	356	359	356	215	95	46
3"x2 1/2"	74	62	356	359	356	130	110	55	356	359	356	130	110	49.5	356	359	356	223	110	70
4"x3"	100	74	406	410	406	165	128	90	406	410	406	165	128	81	432	435	432	232	124	94
6"x4"	150	100	495	498	495	210	160	138	495	498	495	210	160	118	559	562	559	283	154	280
8"x6"	201	150	597	600	597	242	235	272	597	600	597	242	235	205	660	664	660	287	129	318
10"x8"	252	201	673	676	673	289	280	495	673	676	673	289	280	346	787	791	787	324	275	600
12"x10"	303	252	762	765	762	337	320	678	762	765	762	337	320	511	838	841	838	365	325	719
14"x10"	334	252	826	829	826	337	320	795	826	829	826	337	320	562	889	892	889	365	325	991
14"x12"	334	303	826	829	826	379	365	1025	826	829	826	379	365	705	889	892	889	480	415	1191
16"x12"	385	303	902	905	902	379	365	1160	902	905	902	379	365	751	991	994	991	480	415	1411
16"x14"	385	334	902	905	902	398	395	1260	902	905	902	398	395	937	991	994	991	465	442	1377
18"x16"	436	385	978	981	978	453	470	1705	978	981	978	453	470	1375	1092	1095	1092	470	461	1856
20"x16"	487	385	1054	1060	1054	453	470	1852	1054	1060	1054	453	470	1455	1194	1200	1194	470	461	2896
20"x18"	487	436	1054	1060	1054	500	510	2165	1054	1060	1054	500	510	1740	1194	1200	1194	512	482	2930
24"x20"	589	487	1232	1241	1232	540	560	2785	1232	1241	1232	540	560	2552	1397	1407	1397	570	570	3518
30"x24"	735	589	1524	1537	1524	641	660	4660	1524	1537	1524	641	660	4480	1651	1664	1651	622	610	5968
36"x30"	874	735	1880	1895	1880	781	800	8150	1880		1880	781	800	8673	2083	2099	2083	817	804	10572
40"x36"	976	874	2000		1900	920	880	13260	2000		1900	920	880	11070						

SVI Ball Valve Dimension

Product Line Technical Data

YOUR ONE-STOP VALVE SOURCING CHANNEL



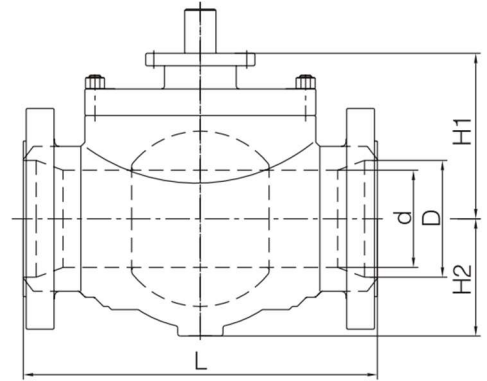
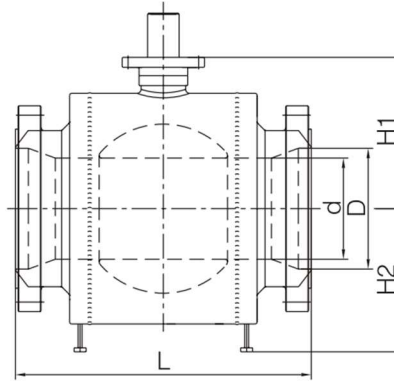
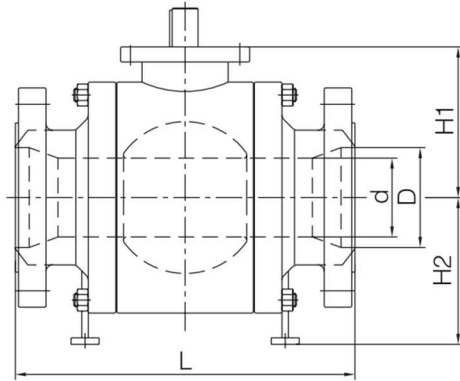
Dimension for Class 600

Valve type			Side entry						Fully welded						Top entry					
NPS	D	d	L-RF	L-RTJ	L-WE	H1	H2	Weight (Kg)	L-RF	L-RTJ	L-WE	H1	H2	Weight (Kg)	L-RF	L-RTJ	L-WE	H1	H2	Weight (Kg)
2"x1 1/2"	49	38	292	295	292	102	98	35	292	295	292	102	98	31.5	292	295	292	210	85	34
2 1/2"x2"	62	49	330	333	330	102	98	40	330	333	330	102	98	36	330	330	330	215	95	40
3"x2"	74	49	356	359	356	130	110	50	356	359	356	130	110	45	356	359	356	215	95	46
3"x2 1/2"	74	62	356	359	356	130	110	55	356	359	356	130	110	49.5	356	359	356	223	110	70
4"x3"	100	74	432	435	432	165	128	90	432	435	432	165	128	81	432	435	432	232	124	94
6"x4"	150	100	559	562	559	210	160	160	559	562	559	210	160	124	559	562	559	283	154	280
8"x6"	201	150	660	664	660	248	235	332	660	664	660	248	235	235	660	664	660	287	129	318
10"x8"	252	201	787	791	787	297	280	540	787	791	787	297	280	377	787	791	787	324	275	600
12"x10"	303	252	838	841	838	337	320	825	838	841	838	337	320	560	838	841	838	365	325	719
14"x10"	334	252	889	892	889	337	320	942	889	892	889	337	320	595	889	892	889	365	325	991
14"x12"	334	303	889	892	889	379	365	1152	889	892	889	379	365	765	889	892	889	480	415	1191
16"x12"	385	303	991	994	991	379	365	1288	991	994	991	379	365	820	991	994	991	480	415	1411
16"x14"	385	334	991	994	991	398	400	1442	991	994	991	398	400	1018	991	994	991	465	442	1377
18"x16"	436	385	1092	1095	1092	447	458	1838	1092	1095	1092	447	458	1555	1092	1095	1092	470	461	1856
20"x16"	487	385	1194	1200	1194	447	458	2000	1194	1200	1194	447	458	1686	1194	1200	1194	470	461	2896
20"x18"	487	436	1194	1200	1194	541	510	2578	1194	1200	1194	541	510	1966	1194	1200	1194	512	482	2930
24"x20"	589	487	1397	1407	1397	289	560	3215	1397	1407	1397	289	560	2798	1397	1407	1397	570	570	3518
30"x24"	735	589	1651	1664	1651	692	645	5380	1651	1664	1651	692	645	4872	1651	1664	1651	622	610	5968
36"x30"	874	735	2083	2099	2083	789	820	9375	2083		2083	789	820	8942	2083	2099	2083	817	804	10572
40"x36"	976	874	2000		1900	920	880	15950	2000		1900	920	880	11320						

SVI Ball Valve Dimension

Product Line Technical Data

YOUR ONE-STOP VALVE SOURCING CHANNEL



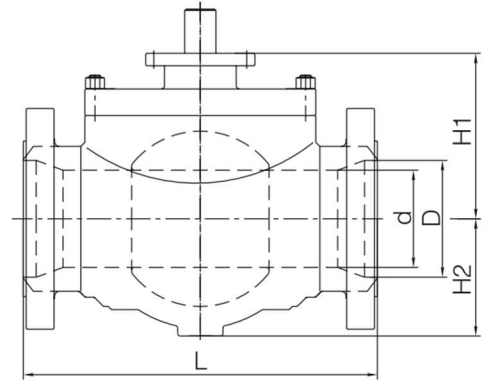
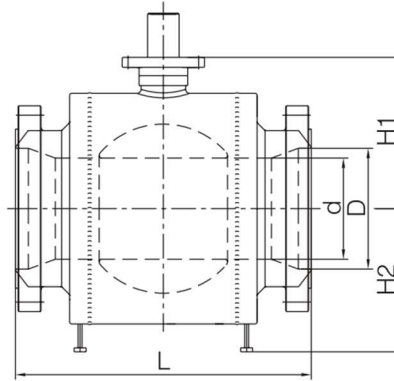
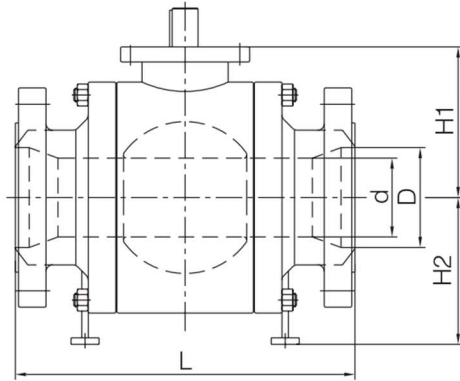
Dimension for Class 900

Valve type			Side entry						Fully welded						Top entry					
NPS	D	d	L-RF	L-RTJ	L-WE	H1	H2	Weight (Kg)	L-RF	L-RTJ	L-WE	H1	H2	Weight (Kg)	L-RF	L-RTJ	L-WE	H1	H2	Weight (Kg)
2"x1/2"	49	38	368	371	368	104	103	70	368	371	368	104	103	39	368	371	368	161	95	50
2 1/2"x2"	62	49	419	422	419	104	103	81	419	422	419	104	103	47	419	422	419	211	84	75
3"x2"	74	49	381	384	381	130	115	86	381	384	381	130	115	52	381	384	381	211	84	70
3"x2 1/2"	74	62	381	384	381	130	115	96	381	384	381	130	115	55	381	384	381	220	110	105
4"x3"	100	74	457	460	457	163	132	127	457	460	457	163	132	75	457	460	457	230	122	140
6"x4"	150	100	610	613	610	211	169	243	610	613	610	211	169	165	610	613	610	283	154	273
8"x6"	201	150	737	740	737	259	213	452	737	740	737	259	213	270	737	740	737	329	209	548
10"x8"	252	201	838	841	838	297	264	802	838	841	838	297	264	480	838	841	838	375	245	906
12"x10"	303	252	965	968	965	342	333	1258	965	968	965	342	333	725	965	968	965	431	275	1090
14"x10"	322	252	1029	1038	1029	342	333	1440	1029	1038	1029	342	333	792	1029	1038	1029	380	324	1495
14"x12"	322	303	1029	1038	1029	384	379	1612	1029	1038	1029	384	379	1060	1029	1038	1029	511	322	1800
16"x12"	373	303	1130	1140	1130	384	379	1758	1130	1140	1130	384	379	1128	1130	1140	1130	515	360	2100
16"x14"	373	322	1130	1140	1130	398	368	1916	1130	1140	1130	398	368	1386	1130	1140	1130	520	360	2300
18"x16"	423	373	1219	1232	1219	436	437	2885	1219	1232	1219	436	437	1850	1219	1232	1219	536	380	2837
20"x16"	471	373	1321	1334	1321	436	437	3142	1321	1334	1321	436	437	2000	1321	1334	1321	582	390	3515
20"x18"	471	423	1321	1334	1321	484	497	3856	1321	1334	1321	484	497	2581	1321	1334	1321	580	485	3875
24"x20"	570	471	1549	1568	1549	532	503	6222	1549	1568	1549	532	503	3695	1549	1568	1549	629	604	5395
30"x24"	712	570	1880	1902	1880	617	633	9522	1880	1902	1880	617	633	6072	1880	1902	1880	640	665	9000
36"x30"	855	712	2286	2315	2286	723	777	15575	2286	2315	2286	723	777	12522	2286	2315	2286	777	795	15235
40"x36"	956	855	2180	2210	2100	848	898	23505	2180	2210	2100	848	898	12200						

SVI Ball Valve Dimension

Product Line Technical Data

YOUR ONE-STOP VALVE SOURCING CHANNEL



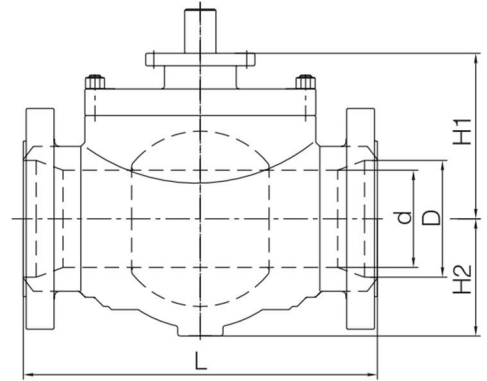
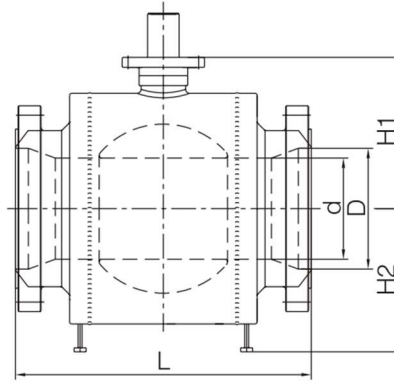
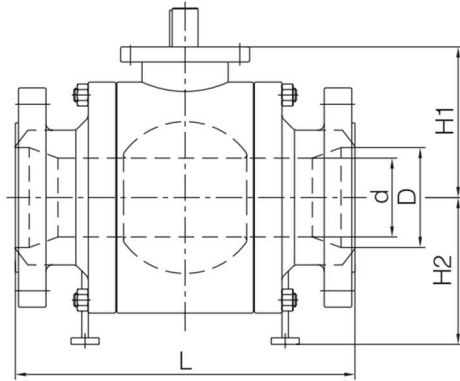
Dimension for Class 1500

Valve type			Side entry						Fully welded						Top entry					
NPS	D	d	L-RF	L-RTJ	L-WE	H1	H2	Weight (Kg)	L-RF	L-RTJ	L-WE	H1	H2	Weight (Kg)	L-RF	L-RTJ	L-WE	H1	H2	Weight (Kg)
2"x1 1/2"	49	38	368	371	368	104	103	41	368	371	368	104	103	41	368	371	368	161	95	50
2 1/2"x2"	62	49	419	422	419	104	103	50	419	422	419	104	103	44	419	422	419	211	105	98
3"x2"	74	49	470	473	470	130	115	68	470	473	470	130	115	48	470	473	470	211	105	110
3"x2 1/2"	74	62	470	473	470	130	115	95	470	473	470	130	115	65	470	473	470	220	110	150
4"x3"	100	74	546	549	546	167	128	122	546	549	546	167	128	88	546	549	546	229	121	203
6"x4"	144	100	705	711	705	179	170	285	705	711	705	179	170	266	705	711	705	293	164	376
8"x6"	192	144	832	841	832	260	233	566	832	841	832	260	233	437	832	841	832	416	245	703
10"x8"	239	192	991	1000	991	304	290	1022	991	1000	991	304	290	920	991	1000	991	465	273	1273
12"x10"	287	239	1130	1146	1130	363	352	1760	1130	1146	1130	363	352	1584	1130	1146	1130	574	330	1535
14"x10"	315	239	1257	1276	1257	363	352	2145	1257	1276	1257	363	352	1931	1257	1276	1257	580	330	2100
14"x12"	315	287	1257	1276	1257	417	425	2500	1257	1276	1257	417	425	2250	1257	1276	1257	580	427	2698
16"x12"	360	287	1384	1407	1384	417	425	2800	1384	1407	1384	417	425	2520	1384	1407	1384	630	427	3200
16"x14"	360	315	1384	1407	1384	437	426	3245	1384	1407	1384	437	426	2921	1384	1407	1384	640	455	3100
18"x16"	406	360	1537	1559	1537	475	493	4970	1537	1559	1537	475	493	4473	1537	1559	1537	657	493	4200
20"x16"	454	360	1664	1686	1664	475	493	5135	1664	1686	1664	475	493	4622	1664	1686	1664	657	493	4500
20"x18"	454	406	1664	1686	1664	563	608	7500	1664	1686	1664	563	608	6750	1664	1686	1664	693	527	5900
24"x20"	546	454	1945	1972	1945	617	645	10875	1945	1972	1945	617	645	9788	1945	1972	1945	757	620	9200

SVI Ball Valve Dimension

Product Line Technical Data

YOUR ONE-STOP VALVE SOURCING CHANNEL

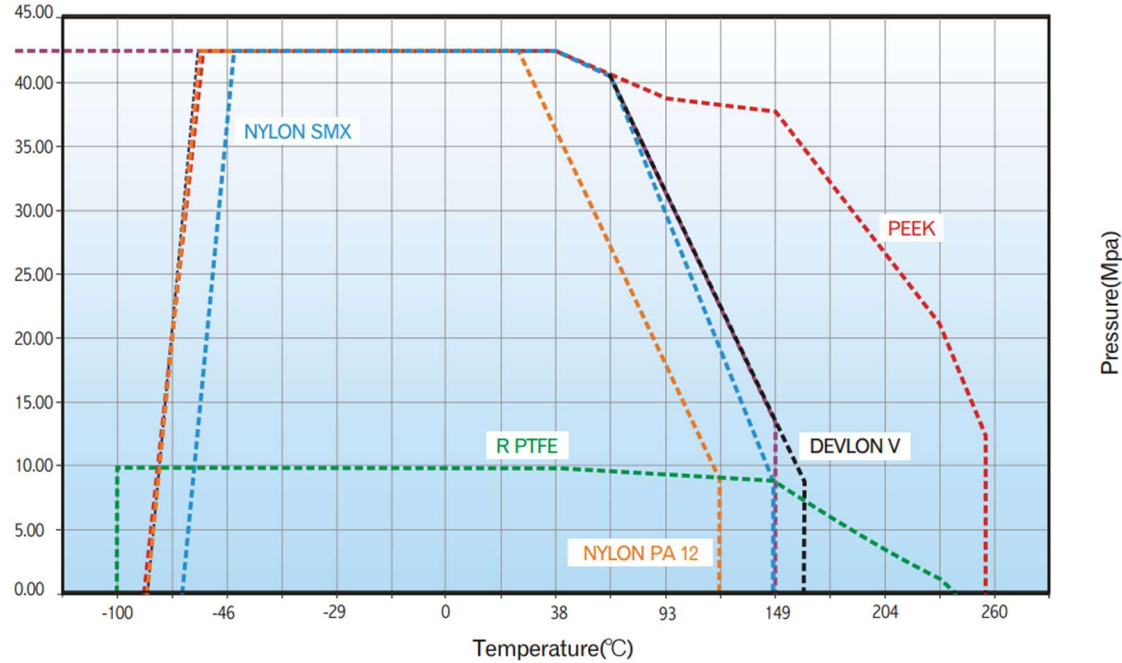
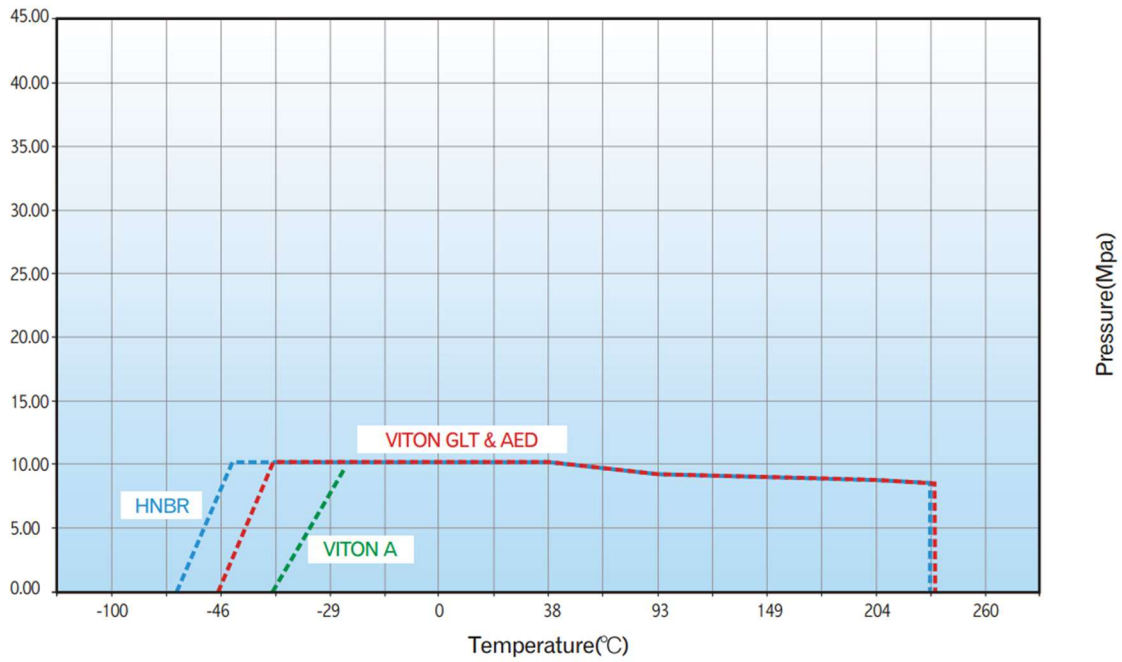


Dimension for Class 2500

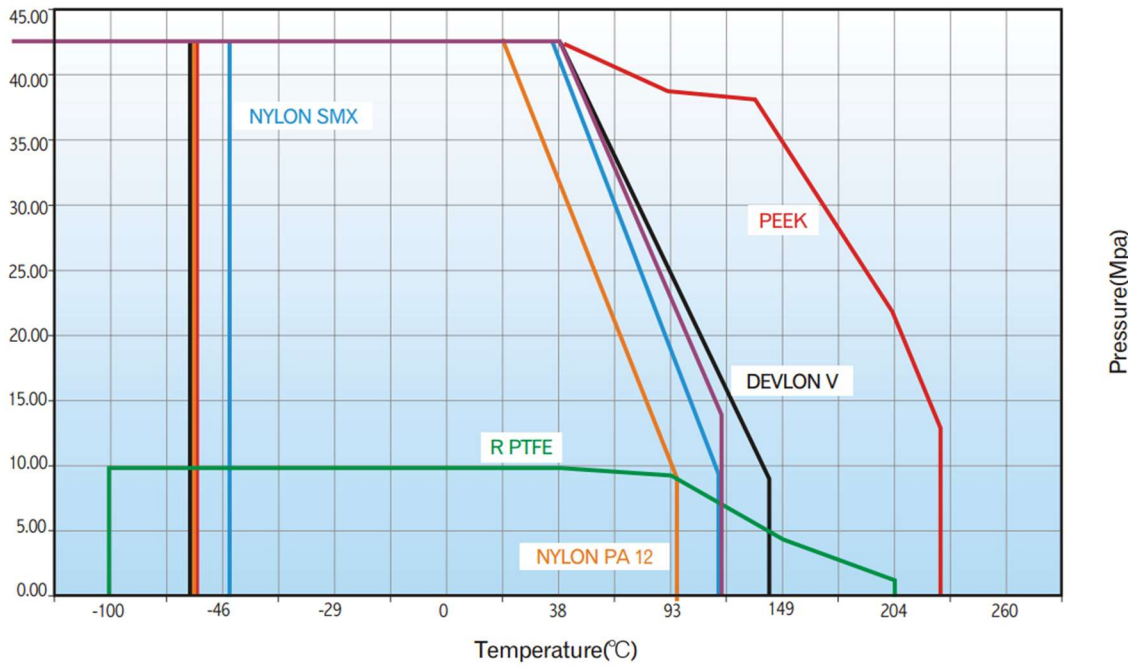
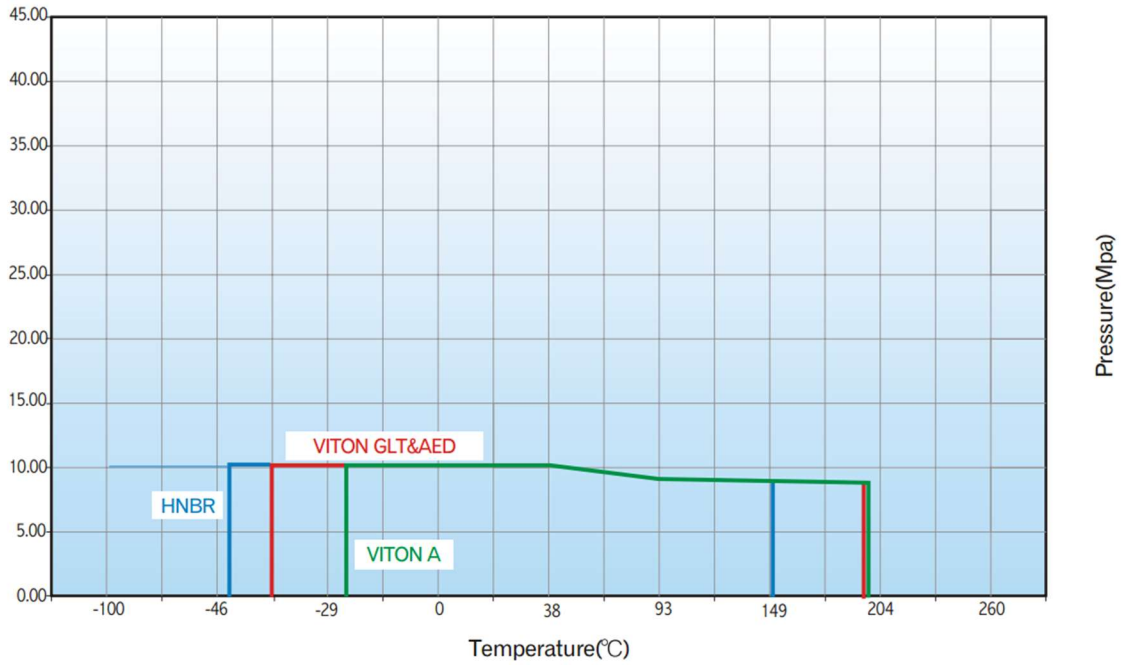
Valve type			Side entry						Top entry					
NPS	D	d	L-RF	L-RTJ	L-WE	H1	H2	Weight (Kg)	L-RF	L-RTJ	L-WE	H1	H2	Weight (Kg)
2"x1 1/2"	42	38	451	454	451	120	82	65	451	454	451	212	98	80
2 1/2"x2"	52	42	508	540	508	127	88	105	508	540	508	212	98	160
3"x2"	62	42	578	584	578	162	135	155	578	584	578	212	98	190
3"x2 1/2"	62	52	578	584	578	162	135	210	578	584	578	220	100	230
4"x3"	87	62	673	683	673	198	187	264	673	683	673	243	122	300
6"x4"	131	87	914	927	914	233	380	510	914	927	914	299	164	670
8"x6"	179	131	1022	1038	1022	252	770	1090	1022	1038	1022	355	243	1150
10"x8"	223	179	1270	1292	1270	339	1357	1663	1270	1292	1270	424	292	2100
12"x10"	265	223	1422	1445	1422	422	2100	2555	1422	1445	1422	503	352	3300
16"x12"	333	265	1962	1962	1962	482	3210	5170						
18"x14"	374	292	2134	2134	2134	558	5520	6670						
20"x16"	419	333	2286	2286	2286	620	6520	8955						

Pressure- Temperature Rating Figures of Soft-Seal Material

At Static Pressure



At Operation Condition



Flow Coefficient

API 6D

NPS (inch)	CLASSES					
	150	300	600	900	1500	2500
2	420	420	400	330	330	250
2 1/2	690	690	610	520	510	320
3×2	200	200	200	190	180	200
3	1200	1050	1000	910	820	500
4×3	600	600	600	590	550	560
4	2200	2100	1850	1800	1400	1100
6×4	800	800	790	790	780	745
6	5150	5100	4600	4380	3800	2500
8×6	2150	2150	2150	2150	2150	2150
8	9500	9400	9000	8500	7400	5300
10×8	4300	4300	4300	4450	4450	4100
10	15000	15000	14700	14500	11500	8300
12×10	7550	7550	7550	8000	9000	7550
14×10	6000	6000	6000	6100	6100	-
12	23000	23000	22500	21100	18000	13000
14×12	14000	14000	14000	12800	13000	-
16×12	9100	9100	9100	8900	8900	-
14	28000	28000	28000	25000	21000	-
16×14	15000	15000	15000	14200	14100	-
16	37200	37200	37200	34500	27500	-
18×16	21000	21000	21000	19200	19000	-
20×16	15300	15300	15300	13800	12000	-
18	49000	49000	49000	45000	37000	-
20×18	28400	28400	28400	25000	25000	-
20	59000	59000	59000	55200	47800	-
24×20	28200	28200	28000	25100	20600	-
22	68200	68200	68200	62000	54000	-
24	92000	92000	92000	83800	70000	-
30×24	36000	36000	36000	32900	-	-
26	110000	110000	110000	98500	-	-
28	121000	121000	121000	113000	-	-
30	145000	144000	144000	130000	-	-
36×30	64000	64000	64000	61500	-	-
32	170000	170000	170000	151000	-	-
36×32	87000	87000	87000	69500	-	-
36	210000	210000	210000	198200	-	-
40	267500	267500	267500	-	-	-
42×36	96700	96700	96700	-	-	-
42	280000	280000	280000	-	-	-
48	384000	384000	384000	-	-	-
56×42	89000	89000	89000	-	-	-
56	521000	521000	521000	-	-	-

API 6A

NPS (inch)	CLASSES		
	3000	5000	10000
1 13/16	270	270	230
2 1/16	350	350	300
3 1/6	1000	940	890
4 1/16	1750	1700	1600
5 1/6	2900	2700	2450
7 1/16	5930	5400	5220

The Flow coefficient calculation

The flow coefficient CV of a valve is the flow rate of water (gallons/minutes) through a fully opened valve with a pressure drop of 1Psi across the valve, at 15.6 °C (60° F). The flow coefficient CV at the table show are come by test and confirmation.

Note: The relation of CV to KV

$$Kv = Cv \times 0.85$$

For liquid medium

$$(1) Q_L = Cv \sqrt{\frac{\Delta P}{GL}}$$

$$(2) \Delta P = GL \left(\frac{Q_L}{Cv} \right)^2$$

At this: Q_L = Flow rate (U.S. Gal/min)

ΔP = (P1-P2) pressure drop (Psi)

GL = Liquid density (for water=1g/cm, at 15.6 °C (60° F))

For gas medium

$$(3) Q_g = 1360 Cv \sqrt{\frac{\Delta P}{G_g T}} \cdot \sqrt{\frac{P_1 + P_2}{2}}$$

$$(4) \Delta P = P_1 \cdot \sqrt{P_2 \cdot 2 G_g T \left(\frac{Q_g}{1360 Cv} \right)^2}$$

At this: Q_g = The volume flow rate of gas (SCFH)

G_g = Gas density at standard condition

Air density =1, at 15.6 °C (60° F)

T = Absolute temperature of gas (° F+460)

Note: For gas, $\Delta P(\text{Max}) = 1/2 P_1$, $P_2(\text{Min}) = 1/2 P_1$, P_1 、 P_2 same as absolute pressure (psi)