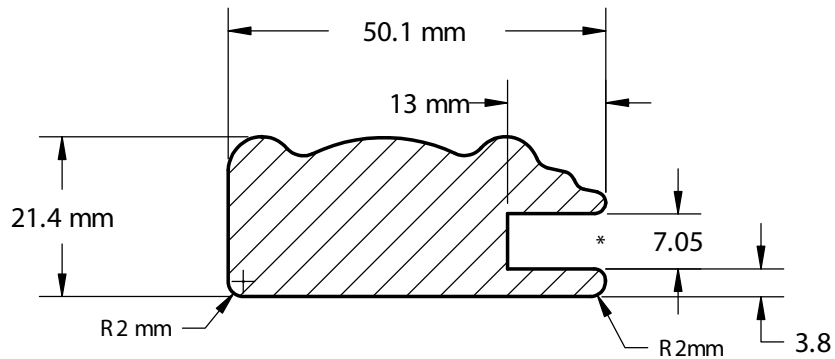
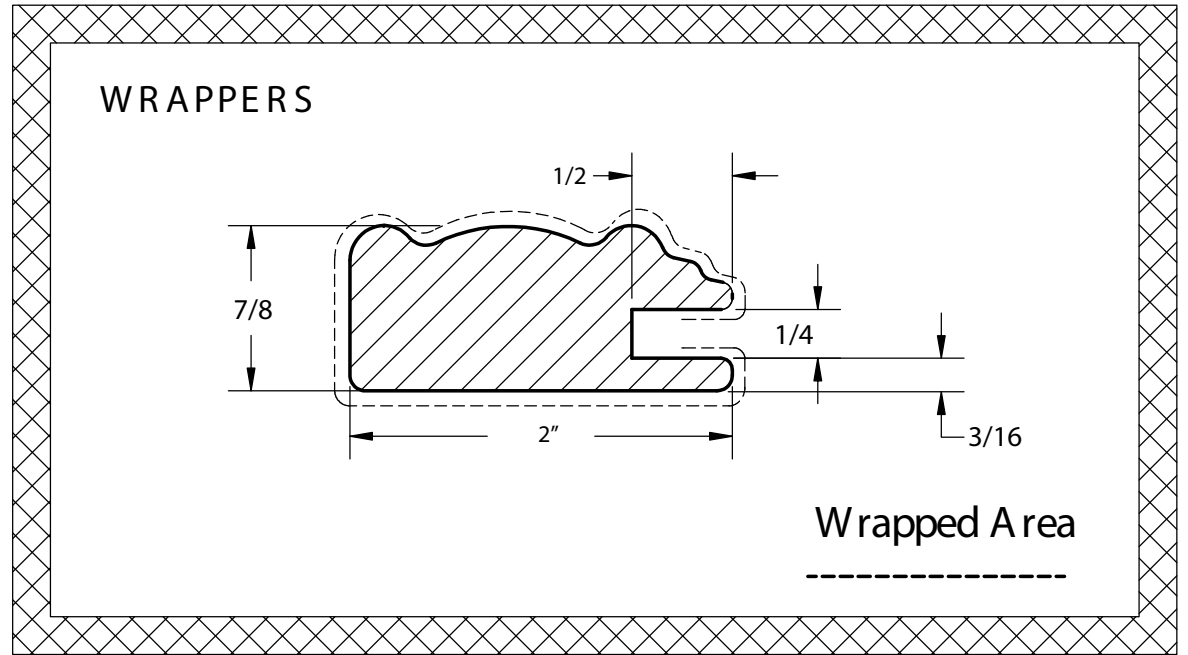


4307

MOULDERS



CUT SIZE	7/8" x 53mm	REV.	DESCRIPTION	DATE		
LAMINATE SIZE :	5 9/16"	1	Profile change	Jan 29/04	PROFILE NO : 4307	
COMMENTS :		2 JD	Increased the groove to 6.45mm finished	Oct 28/04		
		3 CB	Changed raw sizes to match 5 mil laminates	Nov 09/05		
					DRAWN BY: CB	DATE Jan 29/04
TOLERANCE +/- 0.2mm UNLESS SPECIFIED				SCALE: 1 TO 1	SHEET 1 OF 1	