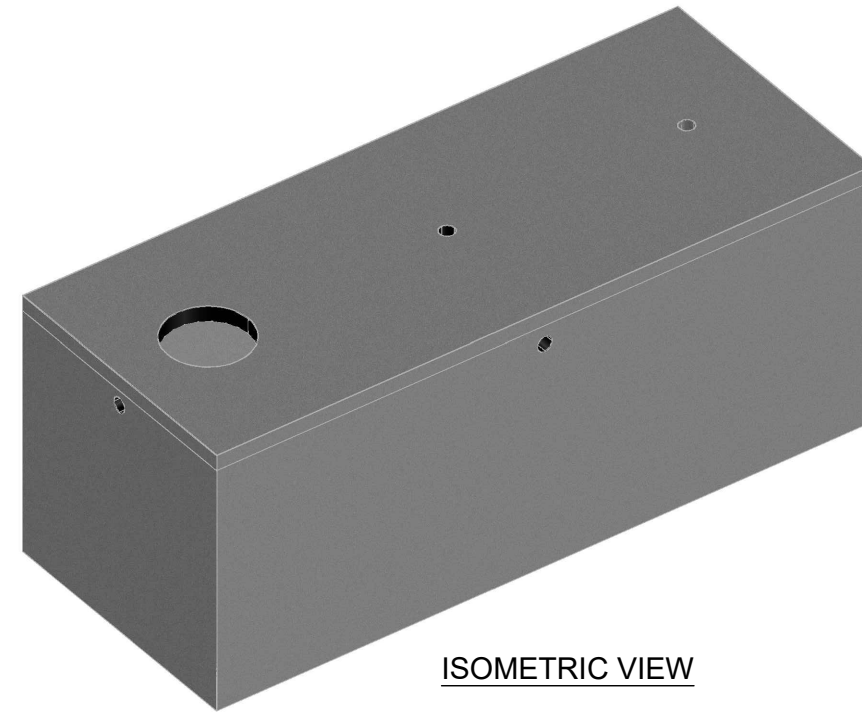
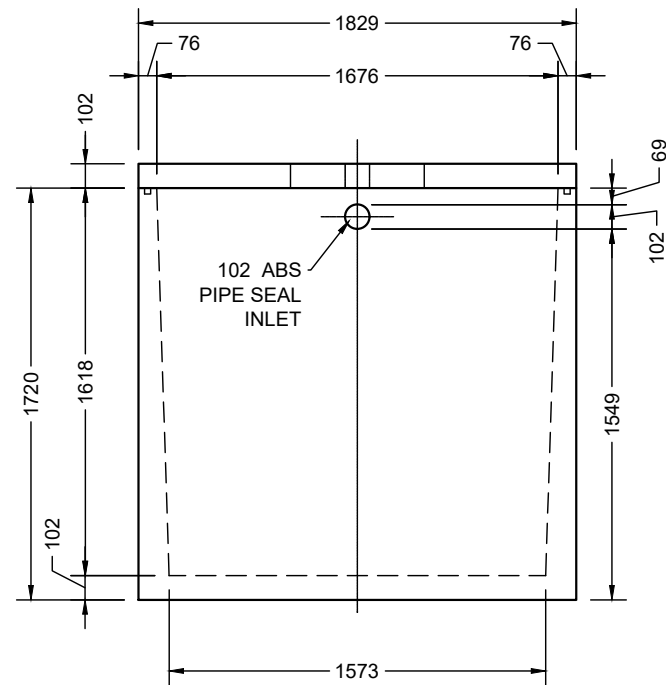


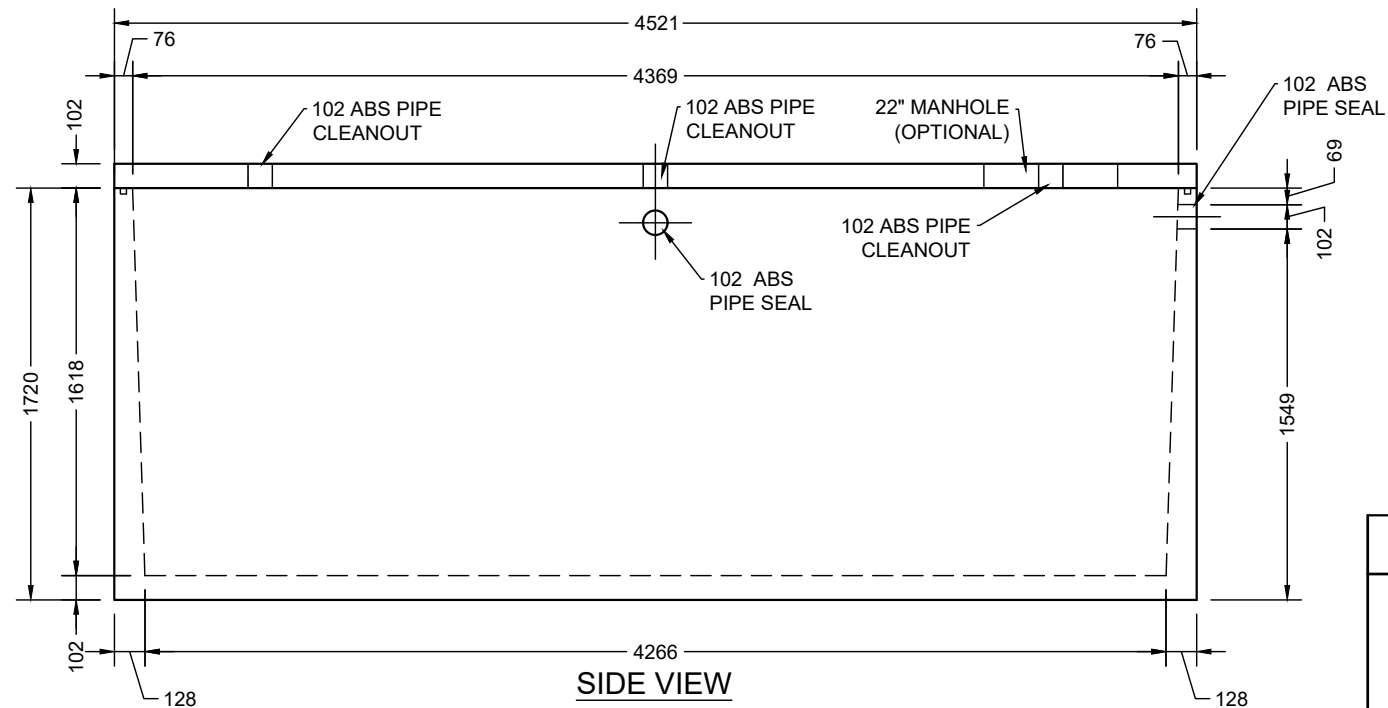
PLAN VIEW



ISOMETRIC VIEW



END VIEW



SIDE VIEW

TOTAL WEIGHT =7260 kg



SOURIS VALLEY INDUSTRIES

DWG. NO.	REFERENCE	NO.:	REVISION DESCRIPTION	BY	APP'D	DATE	DRW BY	SWM	2018/02/07
-	-	-	-	-	-	-	CH'K BY	-	-
-	-	-	-	-	-	-	AP'D BY	-	-
-	-	-	-	-	-	-	AP'D BY	-	-
-	-	-	-	-	-	-	AP'D BY	-	-
-	-	-	-	-	-	-	SCALE: 1:20	-	-

TITLE:	2500 GAL HOLDING TANK DETAIL DRAWING
PROJECT NO.:	JOB NO.:
DRAWING NO.:	SVI-HT-2500-01A

