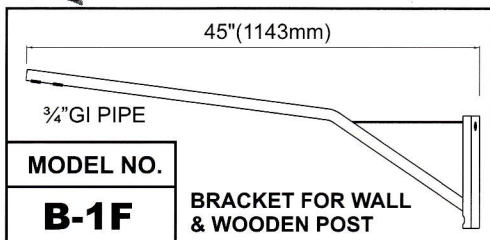
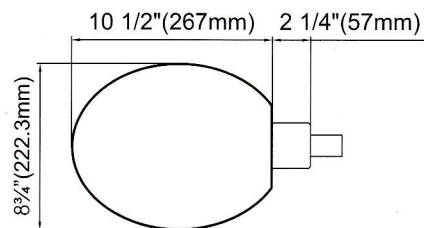
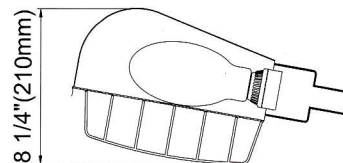
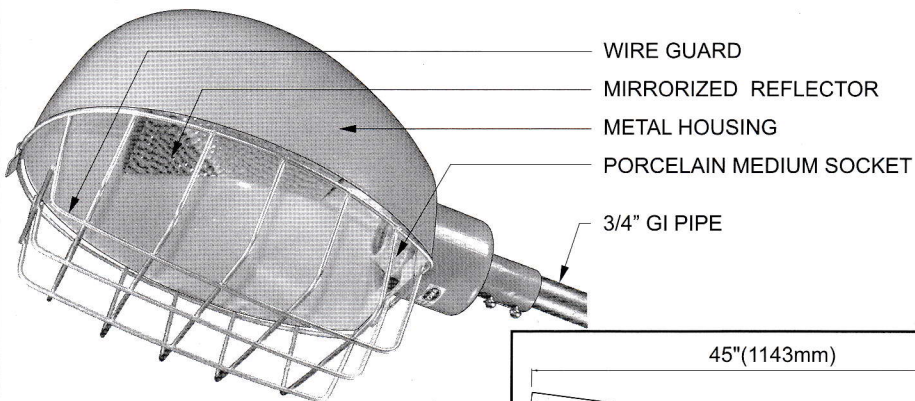


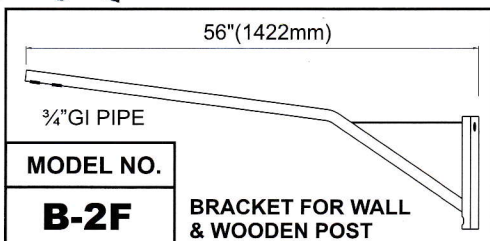
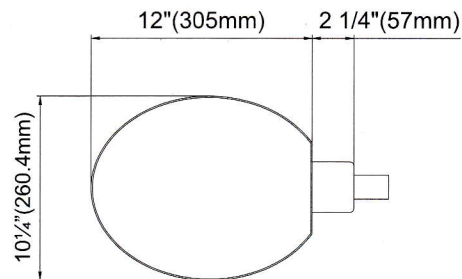
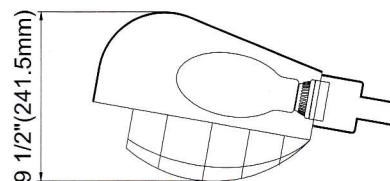
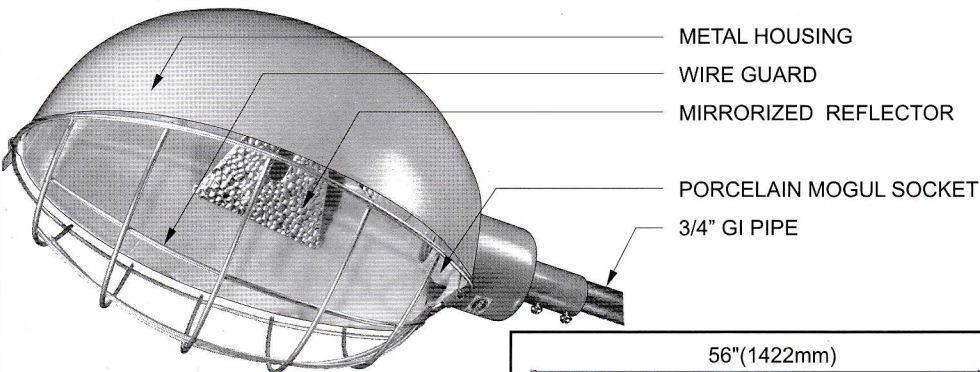
AMCO MERCURY REFLECTOR W/ WIRE GUARD (METAL HOUSING)



MODEL NO.
B-1F

BRACKET FOR WALL
& WOODEN POST

MODEL NO.
B-1T 125 to 250 WATT

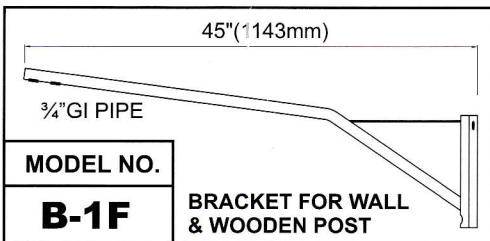
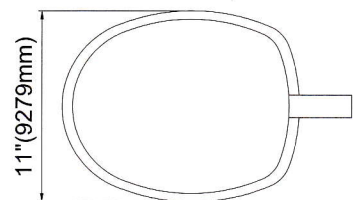
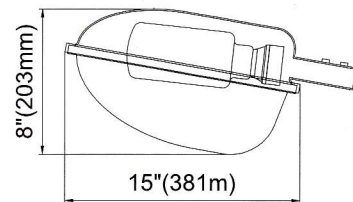
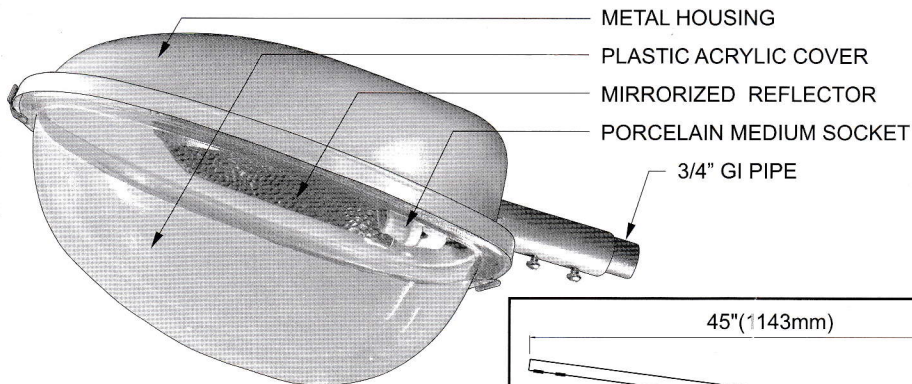


MODEL NO.
B-2F

BRACKET FOR WALL
& WOODEN POST

MODEL NO.
B-2T 125 to 500 WATT

AMCO MERCURY REFLECTOR WITH ACRYLIC COVER



MODEL NO.
B-1F

BRACKET FOR WALL
& WOODEN POST

MODEL NO.
B1-A MAX 160 WATT