

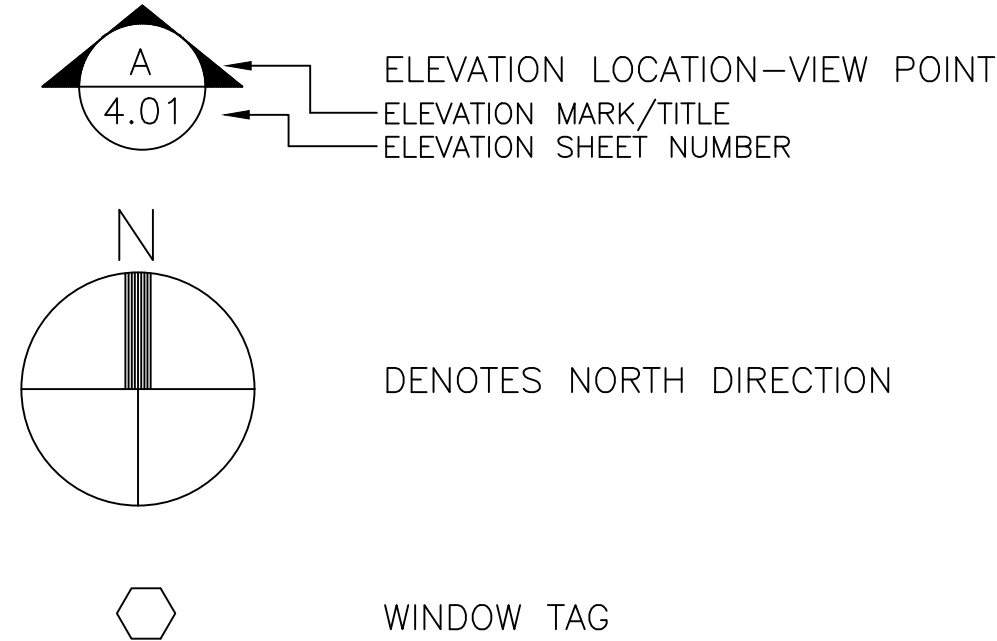
LEGENDS/SYMBOLS

	FINISHED WOOD		PLYWOOD
	DIMENSION LUMBER		BATT INSULATION
	FACE BRICK		GROUT
	RIGID INSULATION		GLAZED TILE
	CUT STONE		MARBLE
	CONCRETE		ACOUSTICAL CEILING
	CONCRETE BLOCK		SHIM PACK
	STEEL IN SECTION		ALUMINUM

DENOTES BLOCKING OR SHIM, NOT CONTINUOUS, NOT NECESSARILY ONE PIECE & NOT BY SPS
 ANCHOR LOCATION
 DIMENSIONAL REFERENCE / ELEVATION
 WORKING POINT
 PRIMARY FIELD APPLIED SEALANT
 SHOP DRILL
 FIELD DRILL
 GLAZING INDICATION NUMBER

	DENOTES BACKER ROD OR CAULK ROPE
	DETAIL NUMBER
	SHEET NUMBER
	DETAIL NO.
	SHEET NO.
	ARCHITECTURAL REFERENCE
	WINDOW TYPE
	ELEVATION TITLE (LARGE HEXAGON)
	REVISION NO. (SMALL TRIANGLE)
	MARK NUMBER OR SUB-MARK NUMBER

	ELEVATION LOCATION-VIEW POINT
	ELEVATION MARK/TITLE
	ELEVATION SHEET NUMBER



GENERAL NOTES

- NOTE: 1. THE GENERAL CONTRACTOR SHALL BE RESPONSIBLE FOR ALL COORDINATION PERTAINING TO THE LOCATION OF ALL HVAC RISERS, PIPING, AND THE LIKE, FOR ANY POSSIBLE INTERFERENCE WITH ANCHORING OF INSERTS AND PRODUCT ASSEMBLY.
2. ALL OPENINGS TO BE FINAL ADJUSTED IN ACCORDANCE WITH APPROVED TOLERANCES PRIOR TO START OF FRAME ERECTION BY OTHERS.
3. GENERAL CONTRACTOR TO REVIEW AND APPROVE ALL DIMENSIONS PRIOR TO FABRICATION RELEASE.
4. COORDINATE ALL CONCRETE AND MASONRY WORK ADJACENT TO PRODUCT SYSTEM WITH APPROPRIATE TRADES.
5. COMMENTS SHOWN ONCE APPLY TO ALL SIMILAR CONDITIONS.
6. ARCHITECT, GENERAL CONTRACTOR AND CUSTOMER NOTES: ALL OPENING DIMENSIONS, REFERENCE DIMENSIONS, AND ANCHOR LOCATION DIMENSIONS MUST BE VERIFIED. APPROVAL OF THESE DRAWINGS WILL BE CONSIDERED A RECORD ACCEPTANCE, EVEN IF DIFFERING FROM THE ARCHITECTURAL PLANS.

NOTE - SPS WILL NOT ASSUME ANY RESPONSIBILITY FOR THE FOLLOWING ITEMS:

- ERRORS RESULTING FROM THE USE OF THESE DRAWINGS BY OTHER TRADES.
- COORDINATION OF OTHER TRADES' DRAWINGS TO THESE DRAWINGS.
- ERRORS RESULTING FROM FABRICATING MATERIALS IN ACCORDANCE WITH APPROVED DRAWINGS THOUGH DIFFERING FROM THE PLANS AND SPECIFICATIONS.

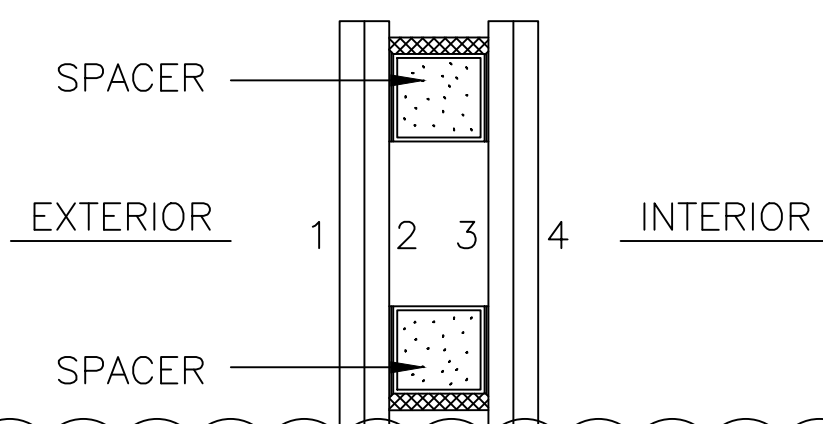
TYPICAL 1600UT PARTS:

- 027-857 FIXED GASKET
- 027-850 FIXED GASKET ASSEMBLY
- 162-310 THERMAL SEPARATOR
- 128-960 1/4" 134" HWHTF AB
- 127-169 SI SETTING BLOCK
- 171305 SETTING BLOCK CHAIR
- 171321 1" THERMAL POCKET FILLER
- 128405 SHEAR BLOCK FASTENER
- 162307 5 1/4" MULLION SLEEVE
- 027855 SIDE BLOCK
- 128394 SHEAR BLOCK TO VERTICAL FASTENER
- 128405 SHEAR BLOCK TO HORIZONTAL FASTENER
- 162321 JOINT PLUG
- 171309 PERIMETER "X" VERTICAL END CAPS

GLAZING SCHEDULE

NOTE: SEE SPS' SEPARATE SUBMITTALS FOR GLASS MAKE UP

GLAZING TYPE	DESCRIPTION
IGL1	1" INSULATED VISION -1/4" CLEAR TEMPERED WITH SNX 51/23 ON (#2) SURFACE -1/2" ARGON FILLED SPACER - BLACK SEALANT AND BLACK TECHNOFORM SPACER -1/4" CLEAR TEMPERED
IGL2	1" INSULATED SPANDREL -1/4" CLEAR TEMPERED WITH SNX 51/23 ON (#2) SURFACE -1/2" ARGON FILLED SPACER - BLACK SEALANT AND BLACK TECHNOFORM SPACER -1/4" CLEAR TEMPERED WITH STANDARD COLOR SPANDREL ON #4 SURFACE
MP	1" INSULATED METAL PANEL



SEE SAMPLES FOR COLOR OF THE SPACER IN BETWEEN GLASS

PRIMARY SEALANT JOINT COLOR: REFER TO SAMPLES FOR ALL COLORS

PECORA 895 (COLOR TO BE DETERMINED) @ SSG ONLY

EXTERIOR & INTERIOR PERIMETER OF CW

- PECORA 864 (COLOR TO BE DETERMINED)

SHIPPING INSTRUCTIONS

1. SPECIAL SHIPPING INSTRUCTIONS REQUIRED

NO YES

VCU MONROE PARK CAMPUS
STEM FACILITY
RICHMOND, VIRGINIA

ARCHITECT
BALLINGER

833 CHESTNUT STREET, SUITE 1400
PHILADELPHIA, PA 19107

P: 215.446.0900

F: 215.446.0901

PRODUCTS SHALL BE: KAWNEER

CURTAIN WALL SERIES: 1600UT (2 1/2" X 7 1/2")
FACE CAP SIZE VARIES
KAWNEER DOES NOT HAVE STOCK 1600UT PARTS TO CREATE A 10" DEEP SYSTEM

STOREFRONT SERIES: N/A

DOOR SERIES: 500T WIDE STILE THERMAL DOOR 2 1/4" DEEP

SUNSHADE: VERSOLEIL OUTRIGGER SUNSHADE

FINISH

TYPE

- #40 DARK BRONZE ANODIZED (AA-M10-C21-A44)
- #14 CLASS 1 CLEAR ANODIZED (AA-M10-C21-A41)
- CLASS I (AA-M12-C22-A41) .7 MILL
- CLASS II (AA-M12-C22-A34) .4-.7 MILL
- COMMERCIAL - LESS THAN .4 MILL
- BAKED-ON SILICONIZED POLYESTER (AA-M12-C42-R10)
- 2 COAT KYNAR CUSTOM PAINT

OTHER

COLOR (FINISH # & COLOR) (PRODUCT)

SINGLE FINISH

DUAL FINISH INT. EXT.

SHOP DRAWINGS PREPARED FROM:

ARCHITECTURALS DATED: ISSUE FOR PERMIT 09-25-20

CS001.2, CS002.2, A004, A101-A109, A210.1-A210.4, A211.1, A211.2, A212.1, A212.2, A213.1, A214.1, A215.1, A215.2, A216.1, A216.2, A217.1, A218.1, A300-A308, A401, A402, A410-A413, A500-A502, A511-A515, A521-A524, A531, A532, A540, A601, A602.1, A602.2, A603, A604, A610.1, A610.2.

STRUCTURALS DATED: ISSUE 4 07/17/20

S001, S002, S101-S109, S201-S208, S301-S304, S401-S407, S501-S511

SPECIFICATIONS DATED:

ADDENDUMS DATED: ISSUE 2 02/07/20

ISSUE 3 05/08/20

SHEET INDEX:

- .01-.02 INFORMATION SHEET, GLAZING DETAILS, DOOR HDW. SCHEDULE
- 1.01-1.06 FLOOR PLAN
- 2.01-2.20 CURTAIN WALL ELEVATIONS
- 3.01-3.40 CURTAIN WALL DETAILS

ABBREVIATIONS

A/C=ACCESS CONTROLLED	G.C.=GENERAL CONTRACTOR	R.O.=ROUGH OPENING
A.F.F.=ABOVE FINISHED FLOOR	M.O.=MASONRY OPENING	T.O.F.F.=TOP OF FINISHED FLOOR
B.O.H.=BOTTOM OF HORIZ.	M.L.=MULLION LENGTH	T.O.H.=TOP OF HORIZONTAL
C=CENTER LINE	N.B.SPS=NOT BY SPS	T.O.S.=TOP OF SLAB
DIM.=DIMENSION	V.I.F.=VERIFY IN FIELD	T.O.STL.=TOP OF STEEL
D.L.O.=DAYLIGHT OPENING	N.I.C.=NOT IN CONTRACT	U.N.O.=UNLESS NOTED OTHERWISE
D.L.=DEAD LOAD (ANCHOR)	N.T.S.=NOT TO SCALE	W.C.=WEB CENTER
D.O.=DOOR OPENING	O.D.=OPENING DIMENSION	W.D.=WINDOW DIMENSION
EL.=ELEVATION	O.F.D.=OVERALL FRAME DIM.	W.L.=WIND LOAD (ANCHOR)
F.S.=FRAME SIZE	REF.=REFERENCE	W.P.=WORKING POINT
F.F.=FINISH FLOOR		

STAMP AREA:

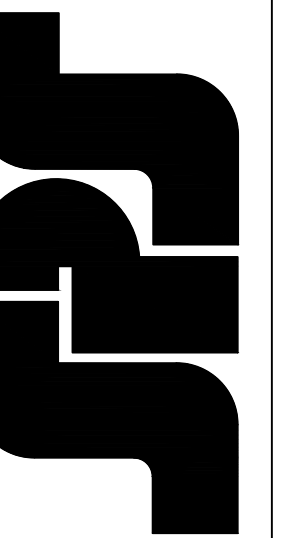
REVISIONS	BY
	5/19/21 CW
	6/8/21 CW
	6/15/21 CW
	8/6/21 CW
	8/26/21 CW
	9/16/21 CW

VCU MONROE PARK CAMPUS STEM FACILITY

RICHMOND, VIRGINIA

ARCHITECT: BALLINGER
CUSTOMER: SPS CORPORATION

SPS Corporation
Fort Wayne, Indiana
Raleigh, North Carolina
Indianapolis, Indiana
Charlotte, North Carolina



Drawn By	DJ
Date Drawn	2/4/21
Checked By	LW
Date Checked	2/4/21
Scale	N.T.S.
File No.	xxxx-xx
Job Name	VCU STERN
SHEET	

REVISIONS	BY
△ 5/19/21	CW
△ 6/8/21	CW
△ 6/15/21	CW
△ 8/6/21	CW
△ 8/26/21	CW
△ 9/16/21	CW

DOOR SCHEDULE

DOOR	SIZE	HAND	DOOR TYPE	FRAME	FRAMING	HARDWARE	LOCATION
1C1.1	6'-0" X 8'-0"	PRSO	500T	CW17	1600UT	EXT-02	VESTIBULE 1C1
1C1.2	6'-0" X 8'-0"	PRSO	500T	CW17	1600UT	EXT-01	VESTIBULE 1C1
1C1.3	6'-0" X 8'-0"	PRSO	500T	CW17A	1600UT	INT-01	VESTIBULE 1C1
1C1.4	6'-0" X 8'-0"	PRSO	500T	CW17A	1600UT	INT-02	VESTIBULE 1C1
1C5.1	6'-0" X 8'-0"	PRSO	500T	CW26	1600UT	EXT-01	VESTIBULE 1C5
1C5.2	6'-0" X 8'-0"	PRSO	500T	CW26A	1600UT	INT-02B	VESTIBULE 1C5
1C8.1	6'-0" X 8'-0"	PRSO	500T	CW18	1600UT	EXT-02	VESTIBULE 1C8
1C8.2	6'-0" X 8'-0"	PRSO	500T	CW18	1600UT	EXT-01A	VESTIBULE 1C8
1C8.3	6'-0" X 8'-0"	PRSO	500T	CW18	1600UT	EXT-01	VESTIBULE 1C8
1C8.4	6'-0" X 8'-0"	PRSO	500T	CW18A	1600UT	INT-02	VESTIBULE 1C8
1C8.5	6'-0" X 8'-0"	PRSO	500T	CW18A	1600UT	INT-02A	VESTIBULE 1C8
1C8.6	6'-0" X 8'-0"	PRSO	500T	CW18A	1600UT	INT-01	VESTIBULE 1C8
130.2	3'-0" X 8'-0"	RH-HLSO	500T	CW29	1600UT	EXT-06	MATH EXCHANGE 130
200.1	6'-0" X 8'-0"	PRSI	500T	CW19	1600UT	EXT-10	COMMONS 200
200.2	6'-0" X 8'-0"	PRSI	500T	CW19	1600UT	EXT-10	COMMONS 200
504A	3'-6" X 7'-6 7/8"	RH-HLSO	500T	CW8	1600UT	EXT-07	FORENSICS LAB SUPPORT 504A

DOOR NOTES:

1) EXTERIOR ALUMINUM STOREFRONT DOORS ARE TO BE KAWNEER THERMAL WIDE STILE (2 1/4" THICK) WITH 5" TOP RAIL AND 10" BOTTOM RAIL.

2) EXTERIOR DOORS RECEIVE 1" INSULATED GLASS.

3) INTERIOR ALUMINUM STOREFRONT DOORS ARE TO BE KAWNEER THERMAL WIDE STILE (2 1/4" THICK) WITH 5" TOP RAIL AND 10" BOTTOM RAIL.

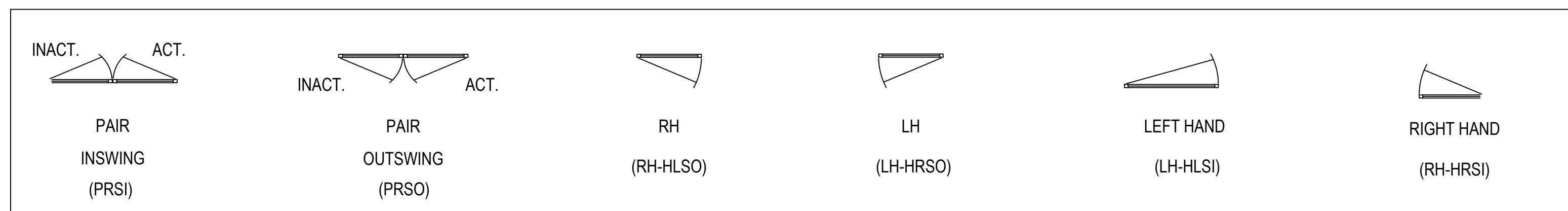
4) INTERIOR DOORS RECEIVE 1" INSULATED TEMPERED GLASS.

DOOR HARDWARE NOTES:

1) ALL HARDWARE IS SUPPLIED BY OTHERS. SPS CORPORATION WILL PREP AND INSTALL THE HARDWARE PER THE APPROVED HARDWARE SCHEDULE. AN APPROVED HARDWARE SCHEDULE MUST BE SUPPLIED. ANY DELAY IN RECEIVING AN APPROVED HARDWARE SCHEDULE WILL RESULT IN A DIRECT DELAY OF THE DOOR FABRICATION.

2) ALL HARDWARE MUST BE SUPPLIED TO SPS CORPORATION. PLEASE MARK EACH BOX CLEARLY WITH DOOR NUMBERS. ANY DELAY IN RECEIVING THE HARDWARE WILL RESULT IN A DIRECT DELAY IN DOOR SHIPMENT.

3) HARDWARE SCHEDULE TO BE APPROVED WITH A SEPARATE SUBMITTAL.

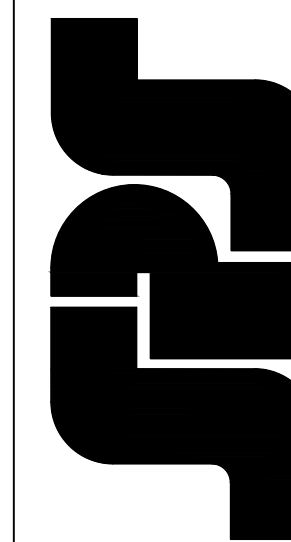


VCU MONROE PARK CAMPUS STEM FACILITY

RICHMOND, VIRGINIA

ARCHITECT: BALLINGER
CUSTOMER: SPS CORPORATION

SPS Corporation
Fort Wayne, Indiana Raleigh, North Carolina
Indianapolis, Indiana Charlotte, North Carolina

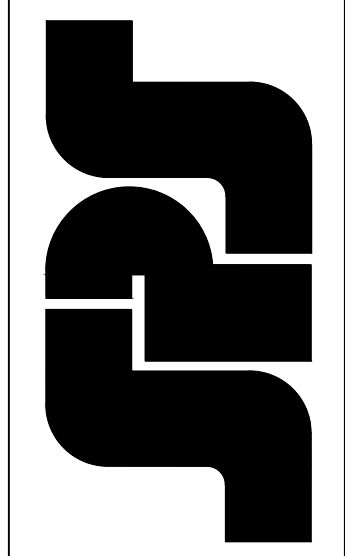


Drawn By	DJ
Date Drawn	2/4/21
Checked By	LW
Date Checked	2/4/21
Scale	N.T.S.
File No.	xxxx-xx
Job Name	VCU STERN
SHEET	

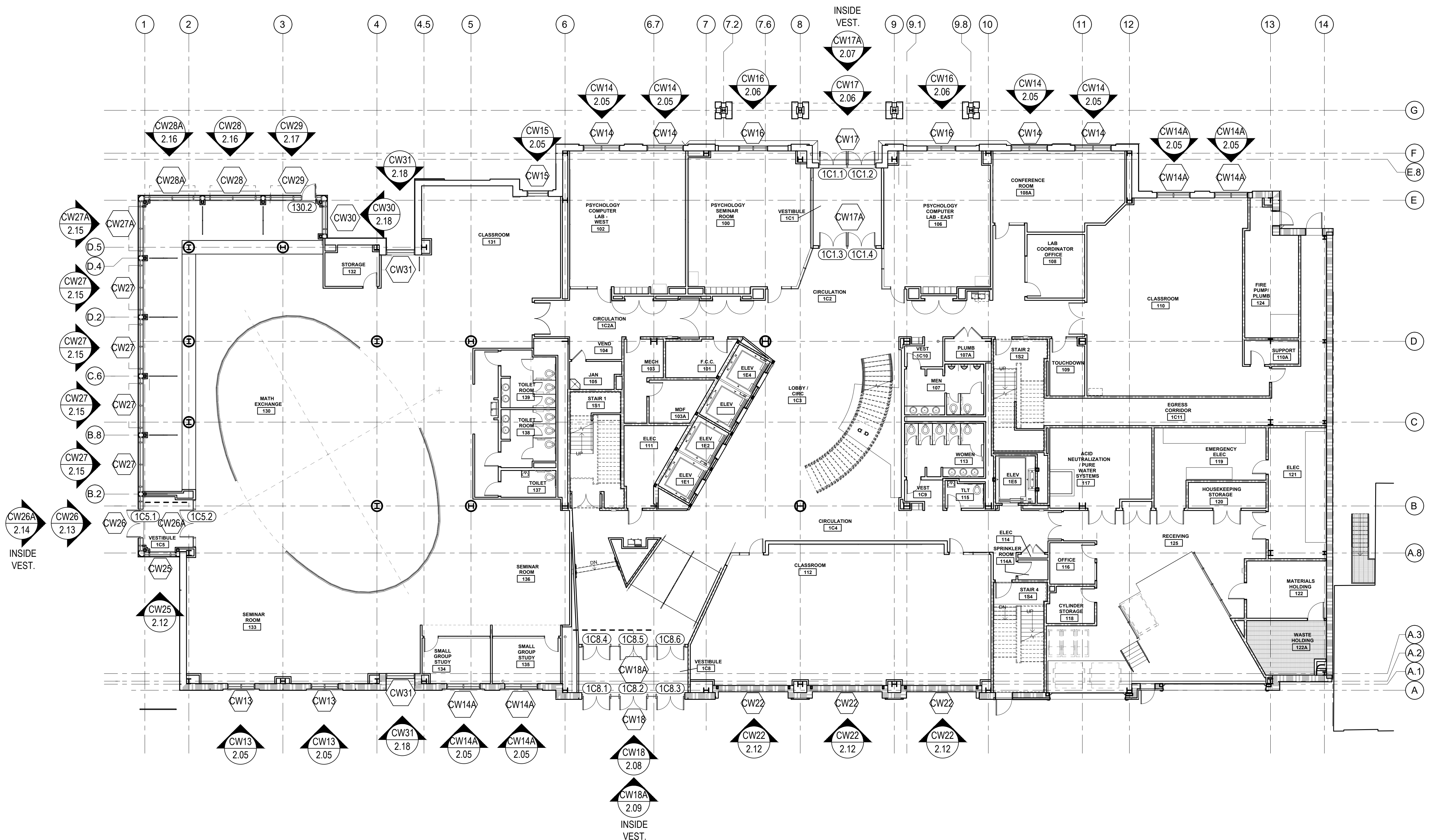
REVISIONS	BY
△	5/19/21 CW
△	6/8/21 CW
△	6/15/21 CW
△	8/6/21 CW
△	8/26/21 CW
△	9/16/21 CW

VCU MONROE PARK CAMPUS STEM FACILITY
 RICHMOND, VIRGINIA
 ARCHITECT: BALLINGER
 CUSTOMER: SPS CORPORATION

SPS Corporation
 Fort Wayne, Indiana Raleigh, North Carolina
 Indianapolis, Indiana Charlotte, North Carolina



Drawn By	DJ
Date Drawn	2/4/21
Checked By	LW
Date Checked	2/4/21
Scale	N.T.S.
File No.	xxxx-xx
Job Name	VCU STERN
SHEET	

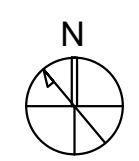


ARCH / G.C. NOTE:

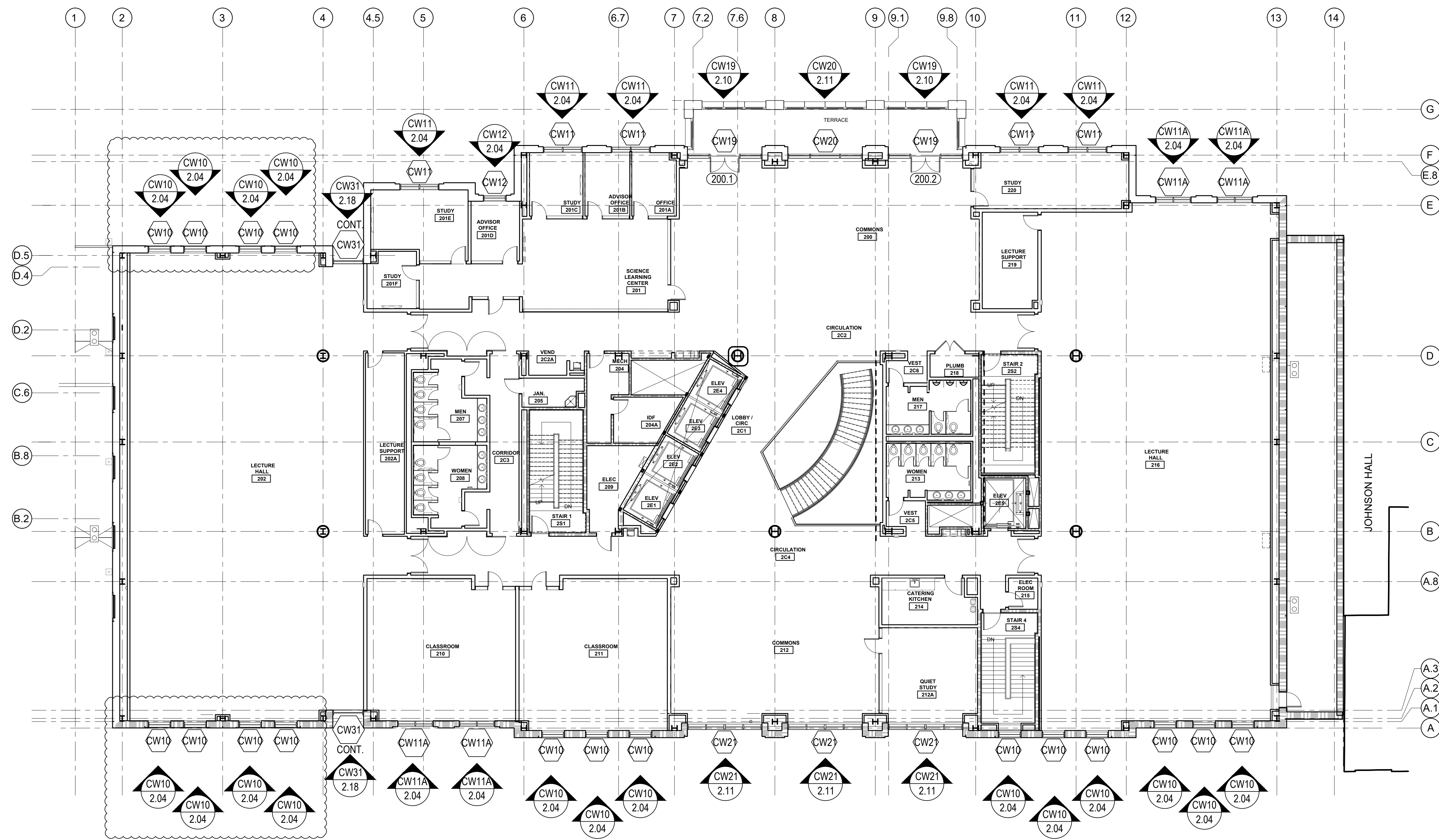
FLOOR PLANS ARE PROVIDED FOR OPENING TYPE LOCATION ONLY. REFER TO SPECIFIC MARK ELEVATIONS FOR SIZE REFERENCE DIMENSIONING, MULLION SPACING, ETC.

FIRST FLOOR PLAN

NTS ARCH. REF.: A101

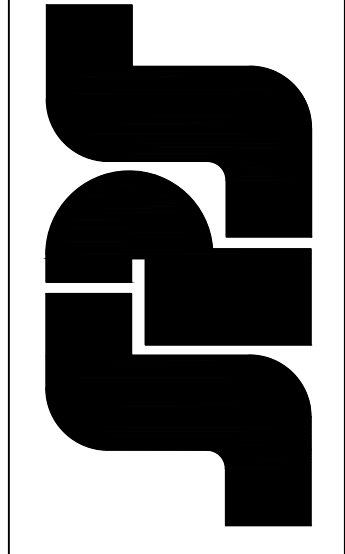


REVISIONS	BY
△	5/19/21 CW
△	6/8/21 CW
△	6/15/21 CW
△	8/6/21 CW
△	8/26/21 CW
△	9/16/21 CW



VCU MONROE PARK CAMPUS STEM FACILITY
 RICHMOND, VIRGINIA
 ARCHITECT: BALLINGER
 CUSTOMER: SPS CORPORATION

SPS Corporation
 Fort Wayne, Indiana Raleigh, North Carolina
 Indianapolis, Indiana Charlotte, North Carolina



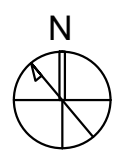
Drawn By	DJ
Date Drawn	2/4/21
Checked By	LW
Date Checked	2/4/21
Scale	N.T.S.
File No.	xxxx-xx
Job Name	VCU STERN
SHEET	

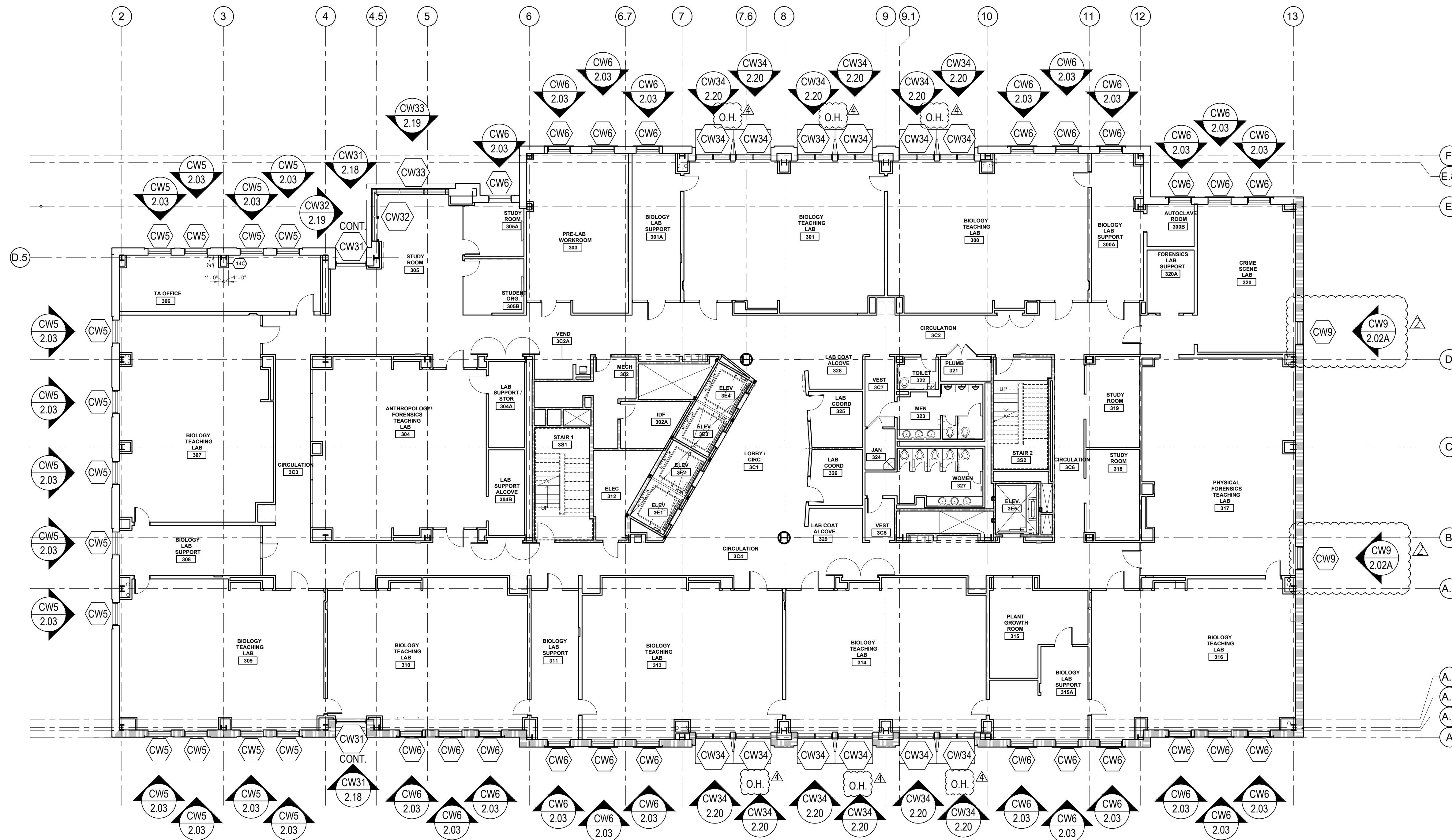
ARCH / G.C. NOTE:

FLOOR PLANS ARE PROVIDED FOR OPENING TYPE LOCATION ONLY. REFER TO SPECIFIC MARK ELEVATIONS FOR SIZE REFERENCE DIMENSIONING, MULLION SPACING, ETC.

SECOND FLOOR PLAN

NTS ARCH. REF.: A102





ARCH / G.C. NOTE:

FLOOR PLANS ARE PROVIDED FOR OPENING TYPE LOCATION ONLY. REFER TO SPECIFIC MARK ELEVATIONS FOR SIZE REFERENCE DIMENSIONING, MULLION SPACING, ETC.

THIRD FLOOR PLAN

NTS ARCH. REF.: A103



REVISIONS	BY
△ 5/19/21	CW
△ 6/8/21	CW
△ 6/15/21	CW
△ 8/6/21	CW
△ 8/26/21	CW
△ 9/16/21	CW

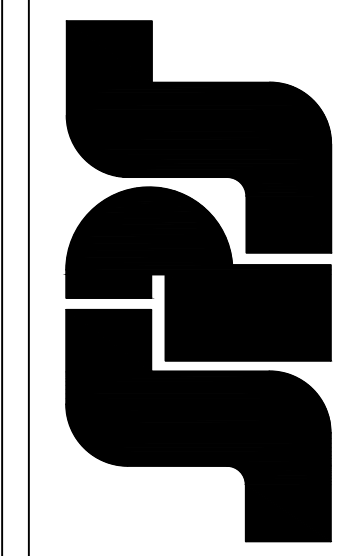
VCU MONROE PARK CAMPUS STEM FACILITY

RICHMOND, VIRGINIA

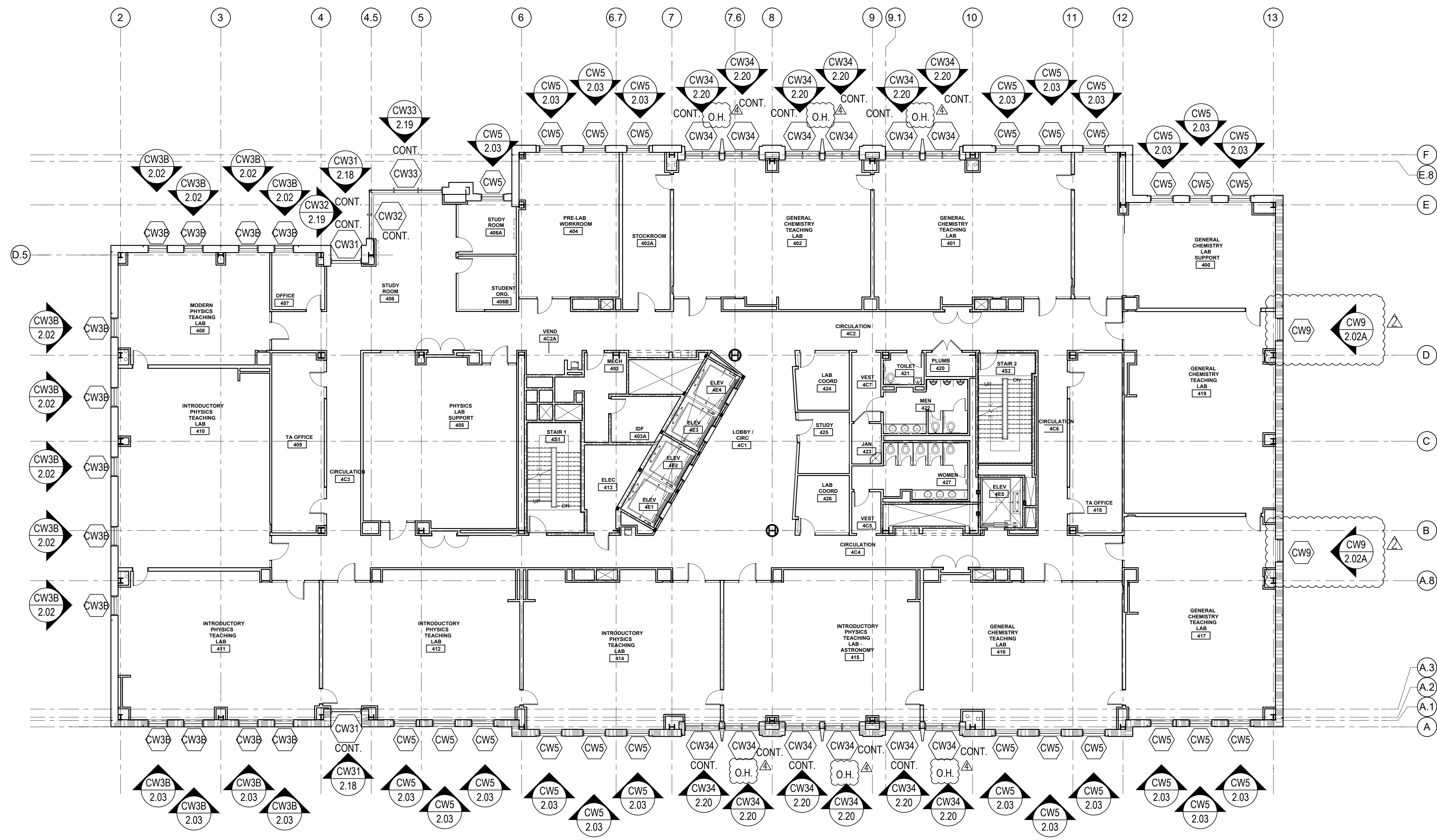
ARCHITECT: BALLINGER

CUSTOMER: SPS CORPORATION

SPS Corporation
 Fort Wayne, Indiana Raleigh, North Carolina
 Indianapolis, Indiana Charlotte, North Carolina



Drawn By	DJ
Date Drawn	2/4/21
Checked By	LW
Date Checked	2/4/21
Scale	N.T.S.
File No.	xxxx-xx
Job Name	VCU STERN
SHEET	

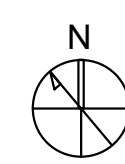


ARCH / G.C. NOTE:

FLOOR PLANS ARE PROVIDED FOR OPENING TYPE LOCATION ONLY. REFER TO SPECIFIC MARK ELEVATIONS FOR SIZE REFERENCE DIMENSIONING, MULLION SPACING, ETC.

FOURTH FLOOR PLAN

NTS ARCH. REF.: A104



REVISIONS	BY
△	5/19/21 CW
△	6/8/21 CW
△	6/15/21 CW
△	8/6/21 CW
△	8/26/21 CW
△	9/16/21 CW

VCU MONROE PARK CAMPUS STEM FACILITY

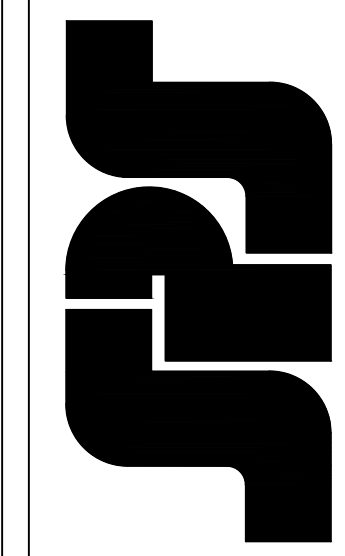
RICHMOND, VIRGINIA

ARCHITECT: BALLINGER

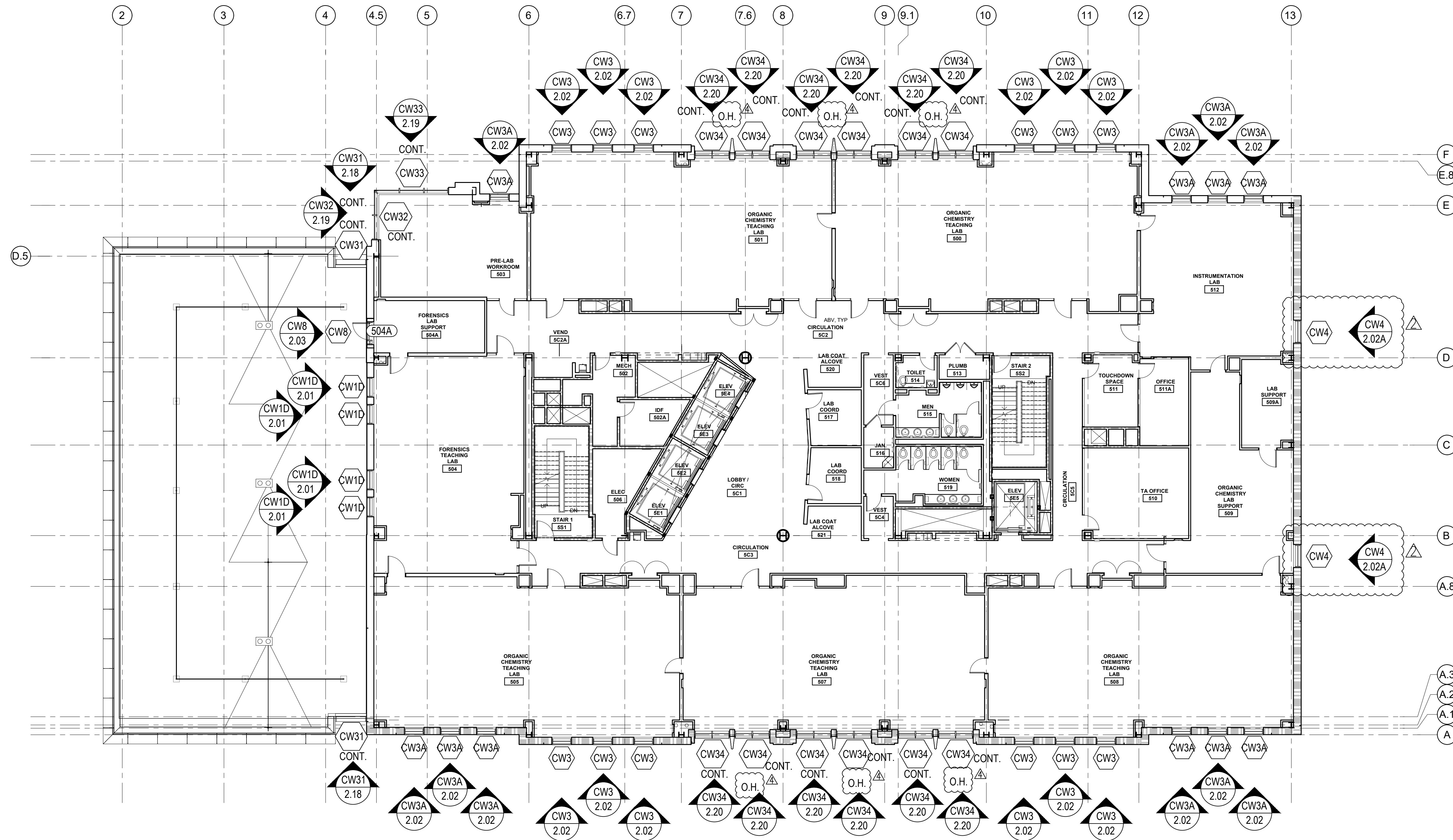
CUSTOMER: SPS CORPORATION

SPS Corporation

Fort Wayne, Indiana Raleigh, North Carolina
Indianapolis, Indiana Charlotte, North Carolina



Drawn By	DJ
Date Drawn	2/4/21
Checked By	LW
Date Checked	2/4/21
Scale	N.T.S.
File No.	xxxx-xx
Job Name	VCU STERN
SHEET	



ARCH / G.C. NOTE:

FLOOR PLANS ARE PROVIDED FOR OPENING TYPE LOCATION ONLY. REFER TO SPECIFIC MARK ELEVATIONS FOR SIZE REFERENCE DIMENSIONING, MULLION SPACING, ETC.

FIFTH FLOOR PLAN

NTS ARCH. REF.: A105



REVISIONS	BY
△	5/19/21 CW
△	6/8/21 CW
△	6/15/21 CW
△	8/6/21 CW
△	8/26/21 CW
△	9/16/21 CW

VCU MONROE PARK CAMPUS STEM FACILITY

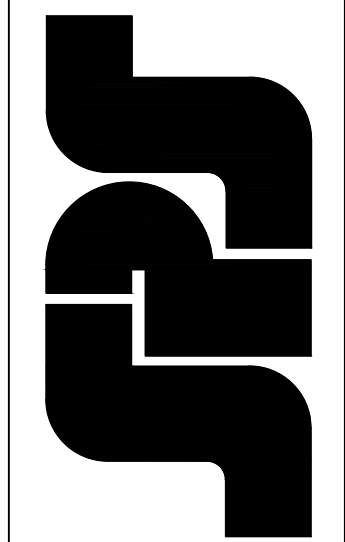
RICHMOND, VIRGINIA

ARCHITECT: BALLINGER

CUSTOMER: SPS CORPORATION

SPS Corporation

Fort Wayne, Indiana Raleigh, North Carolina
Indianapolis, Indiana Charlotte, North Carolina



Drawn By DJ

Date Drawn 2/4/21

Checked By LW

Date Checked 2/4/21

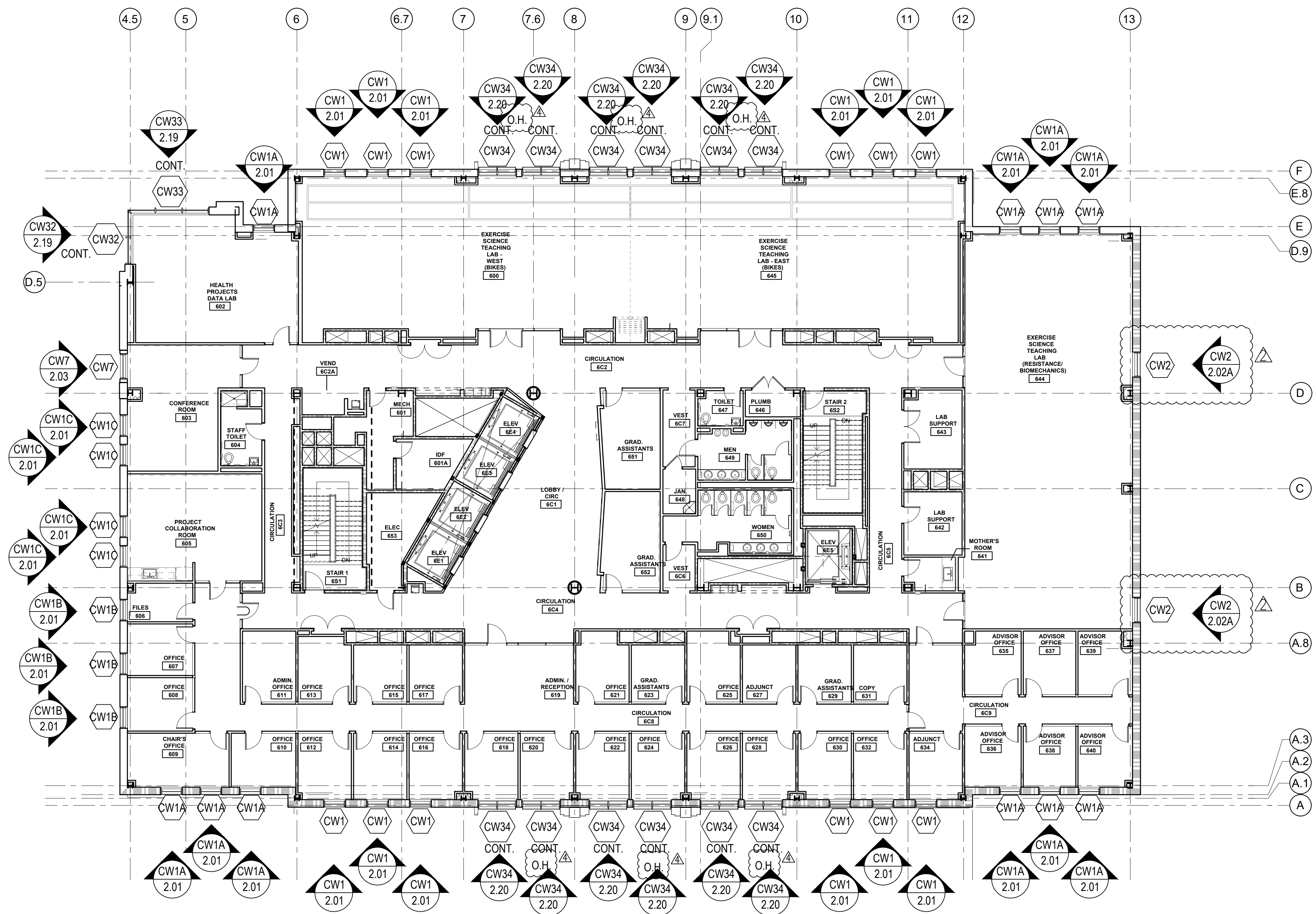
Scale N.T.S.

File No. xxxx-xx

Job Name VCU STERN

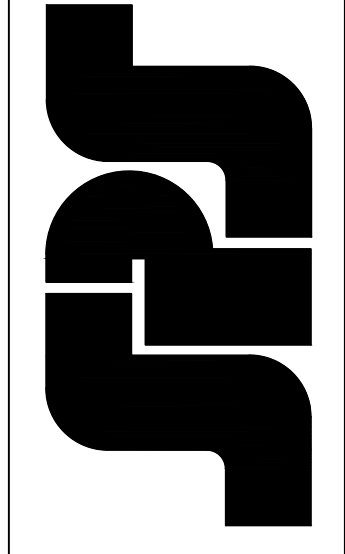
SHEET

REVISIONS	BY
△	5/19/21 CW
△	6/8/21 CW
△	6/15/21 CW
△	8/6/21 CW
△	8/26/21 CW
△	9/16/21 CW



VCU MONROE PARK CAMPUS STEM FACILITY
 RICHMOND, VIRGINIA
 ARCHITECT: BALLINGER
 CUSTOMER: SPS CORPORATION

SPS Corporation
 Fort Wayne, Indiana Raleigh, North Carolina
 Indianapolis, Indiana Charlotte, North Carolina

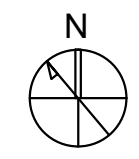


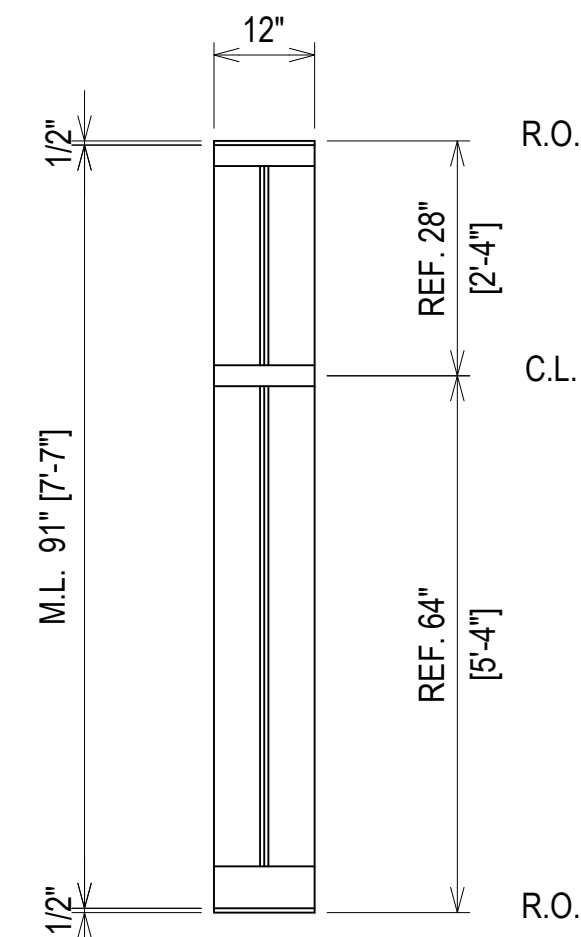
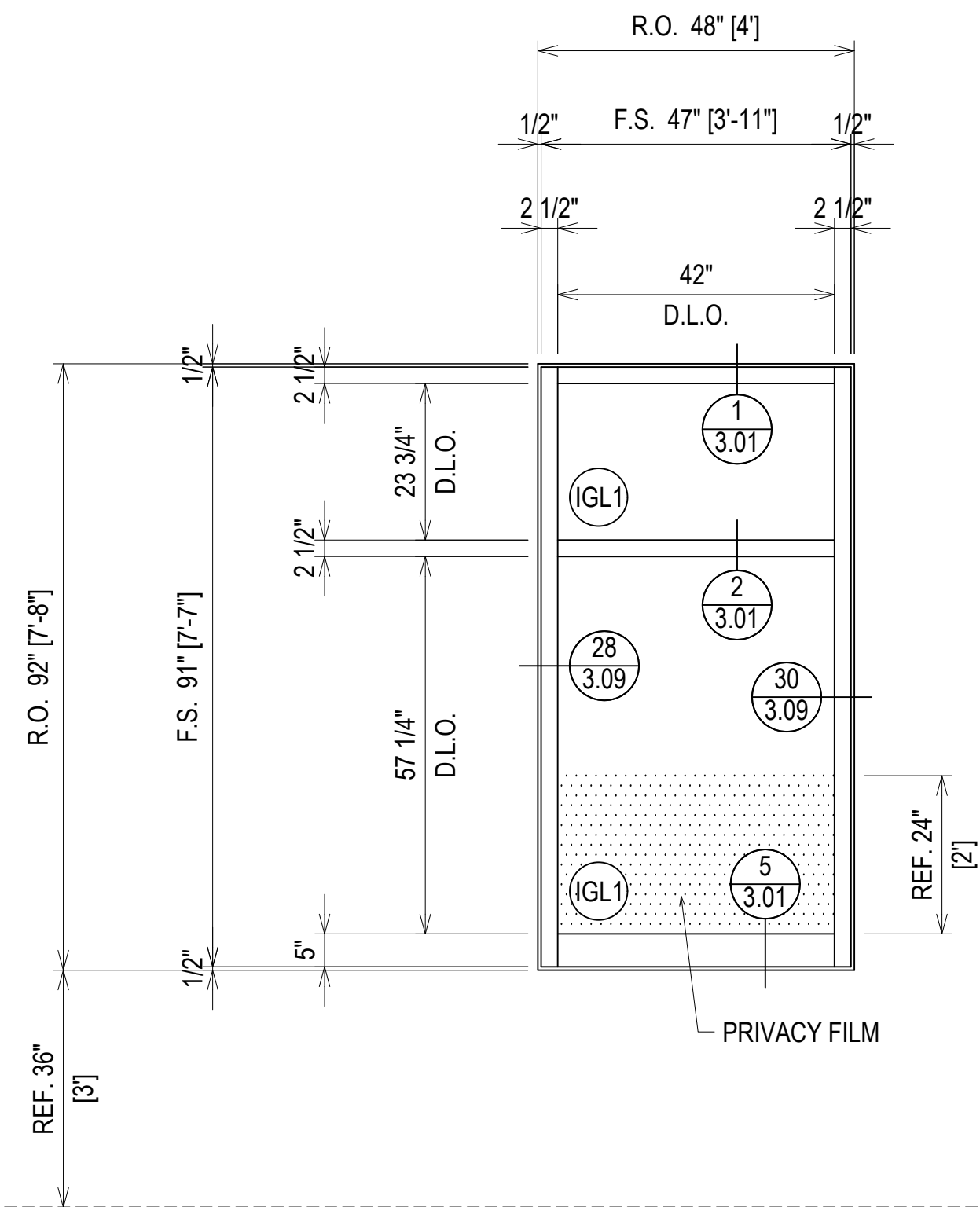
Drawn By	DJ
Date Drawn	2/4/21
Checked By	LW
Date Checked	2/4/21
Scale	N.T.S.
File No.	xxxx-xx
Job Name	VCU STERN
SHEET	

ARCH / G.C. NOTE:

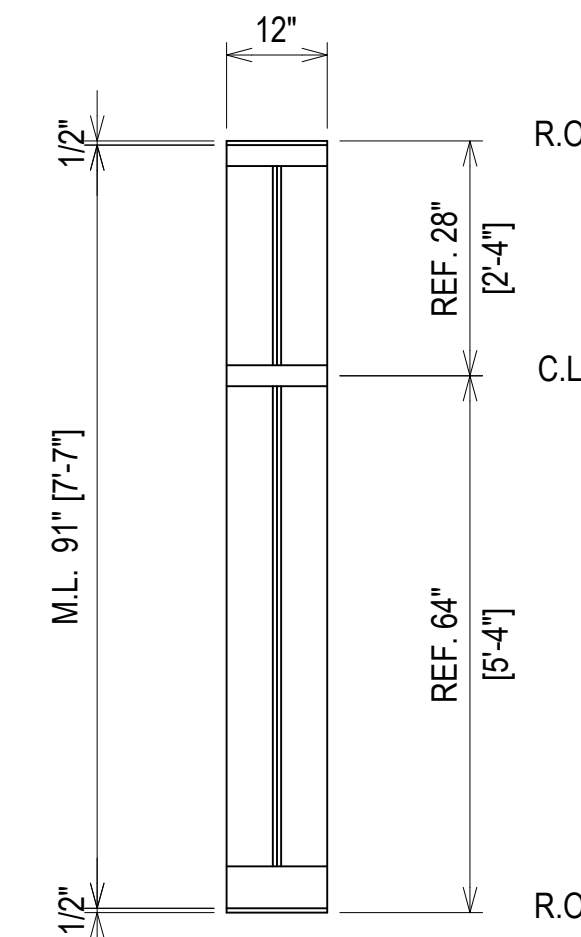
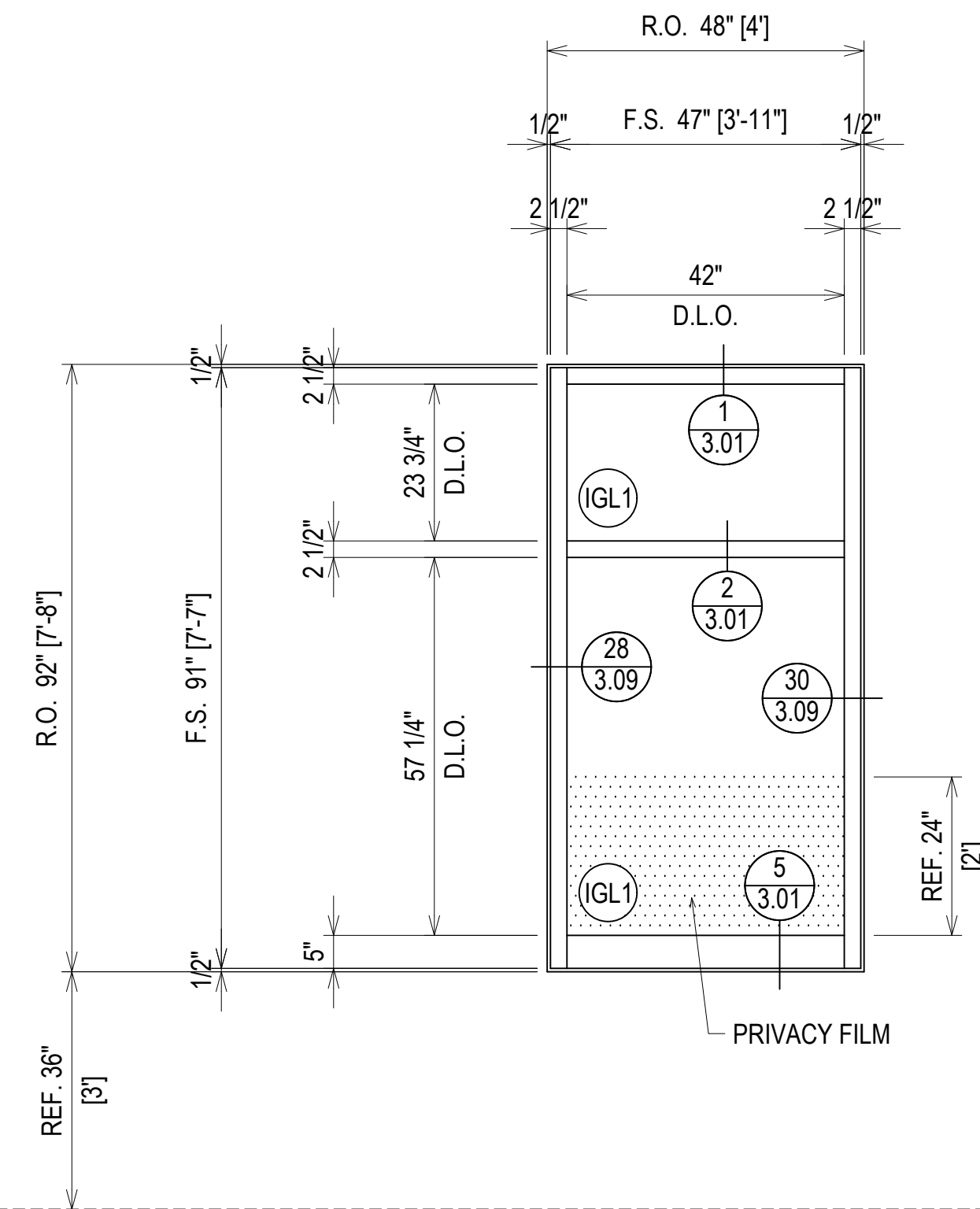
FLOOR PLANS ARE PROVIDED FOR OPENING TYPE LOCATION ONLY. REFER TO SPECIFIC MARK ELEVATIONS FOR SIZE REFERENCE DIMENSIONING, MULLION SPACING, ETC.

SIXTH FLOOR PLAN
 NTS ARCH. REF.: A106

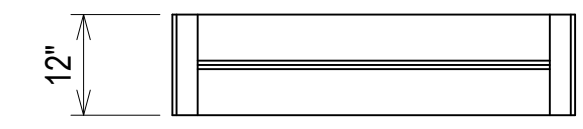




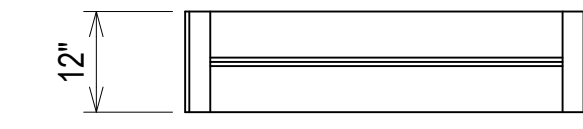
ARCH. REF.: 4/A410
ARCH. REF.: 4/A412



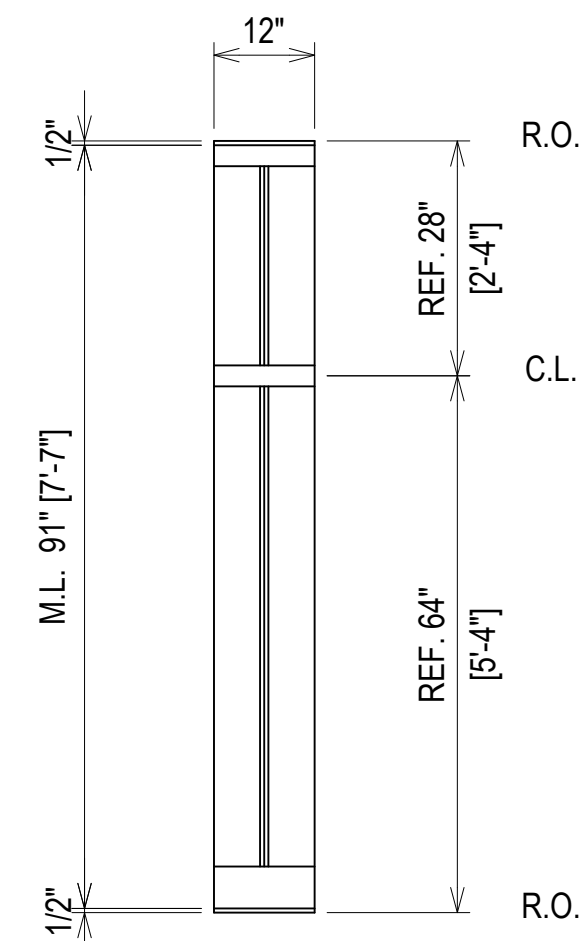
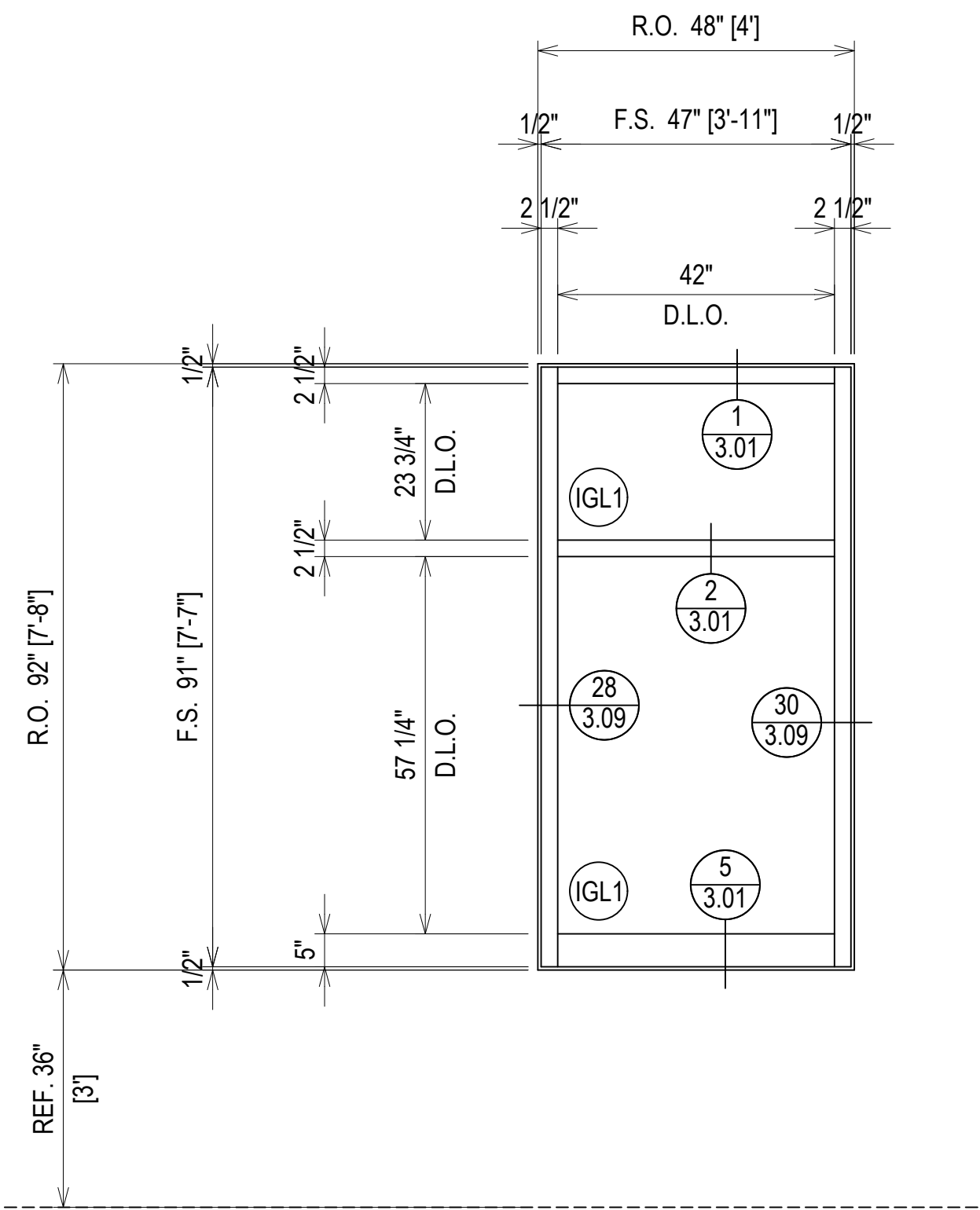
ARCH. REF.: 3/A410
ARCH. REF.: 2/A412
ARCH. REF.: 5/A412



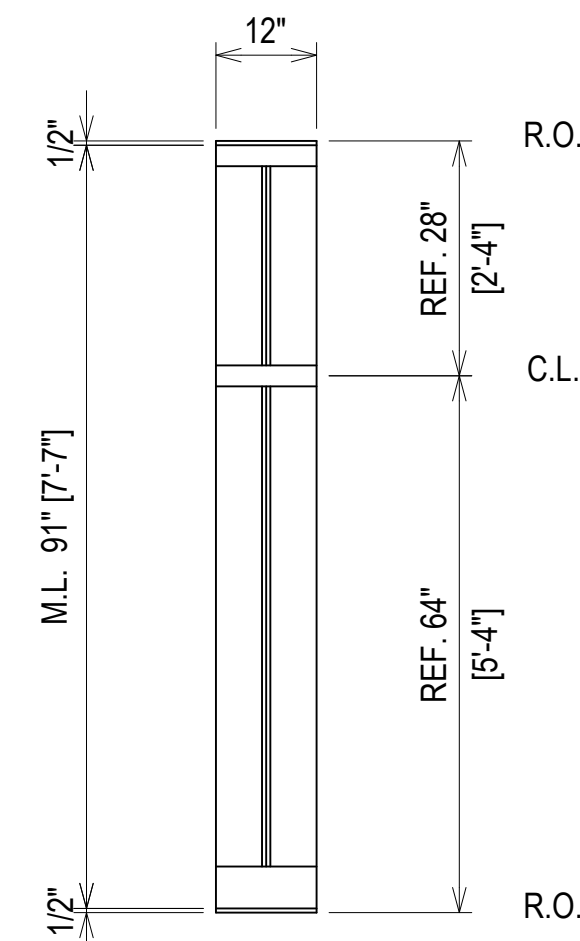
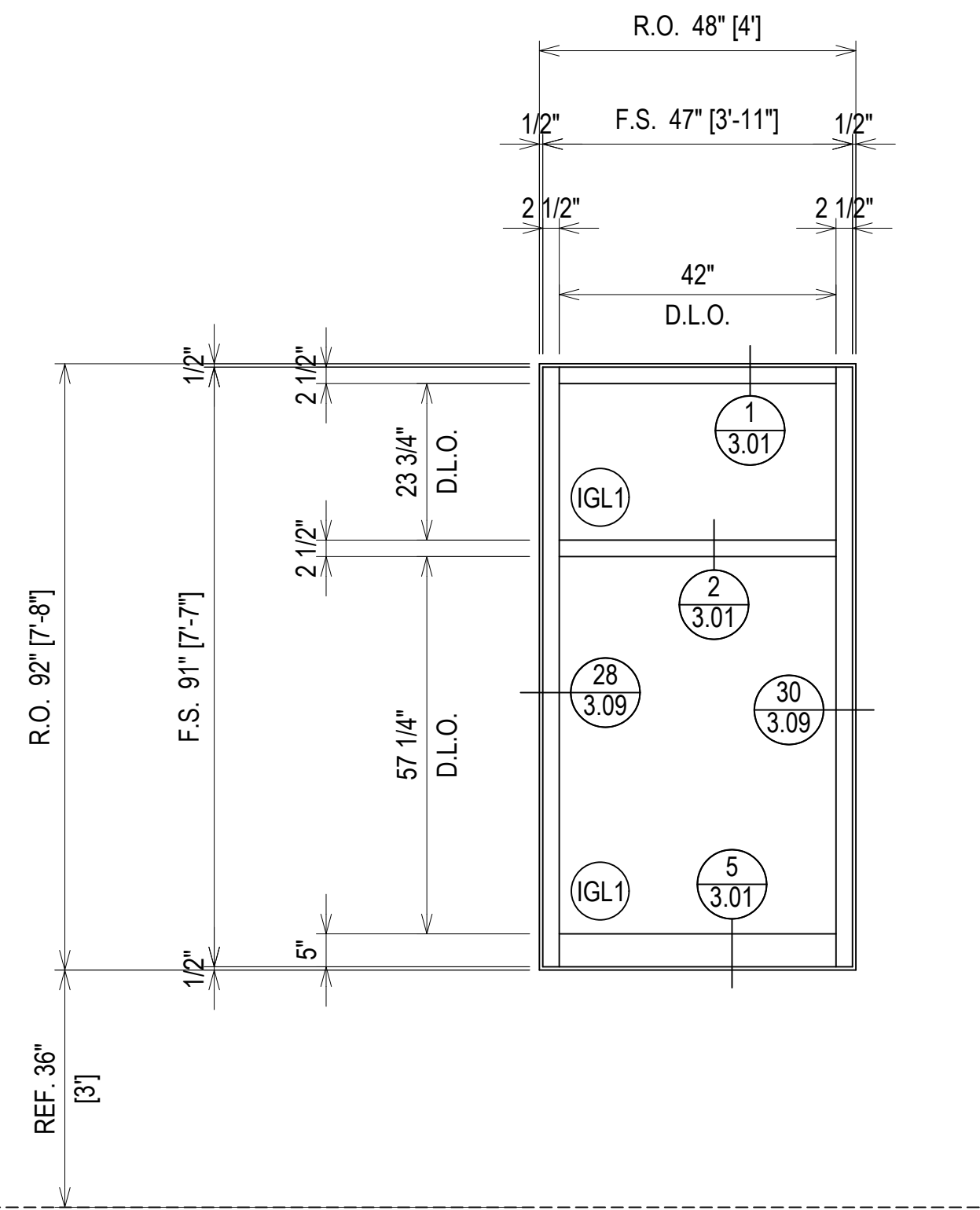
ELEVATION CW1
SCALE: 1/2" = 1'-0"
KAWNEER 1600 UT - 2 1/2" X 7 1/2"
EXTERIOR CURTAINWALL
1" INSULATED GLASS (FRONT SET)
QUANTITY: 12



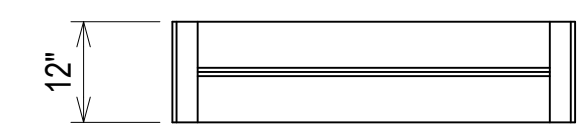
ELEVATION CW1A
SCALE: 1/2" = 1'-0"
KAWNEER 1600 UT - 2 1/2" X 7 1/2"
EXTERIOR CURTAINWALL
1" INSULATED GLASS (FRONT SET)
QUANTITY: 10



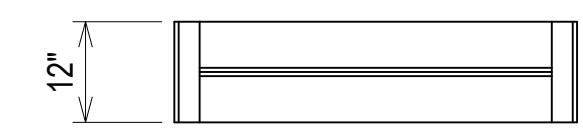
ARCH. REF.: 5/A413



ARCH. REF.: 5/A413



ELEVATION CW1B
SCALE: 1/2" = 1'-0"
KAWNEER 1600 UT - 2 1/2" X 7 1/2"
EXTERIOR CURTAINWALL
1" INSULATED GLASS (FRONT SET)
QUANTITY: 3



ELEVATION CW1C
SCALE: 1/2" = 1'-0"
KAWNEER 1600 UT - 2 1/2" X 7 1/2"
EXTERIOR CURTAINWALL
1" INSULATED GLASS (FRONT SET)
QUANTITY: 4

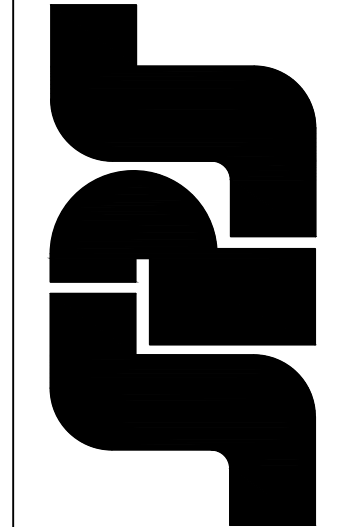
ERECTOR / G.C. NOTE:
PLEASE FIELD VERIFY ALL DIMENSIONS

REVISIONS	BY
△	5/19/21 CW
△	6/8/21 CW
△	6/15/21 CW
△	8/6/21 CW
△	8/26/21 CW
△	9/16/21 CW

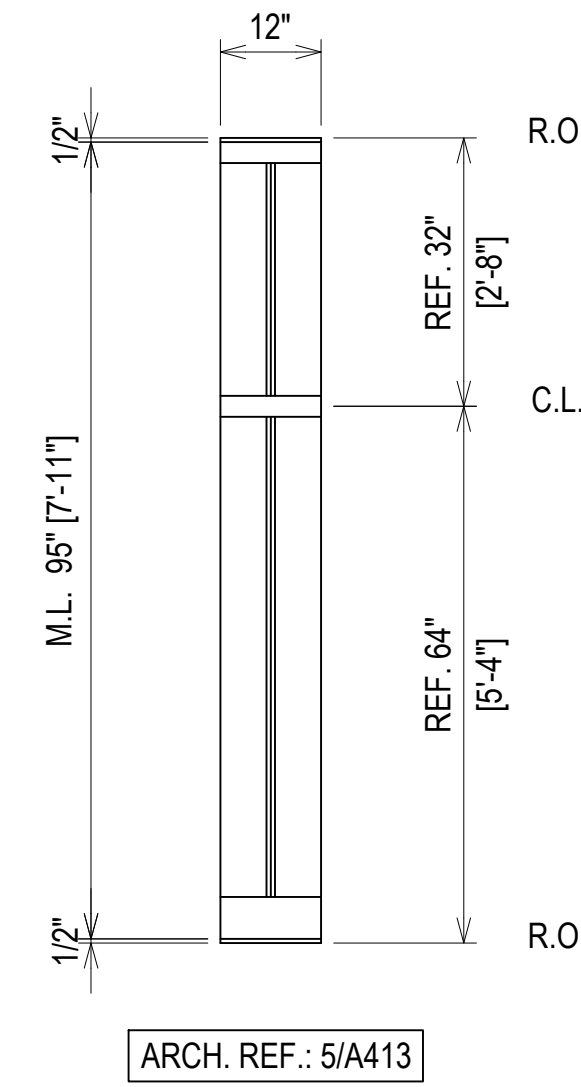
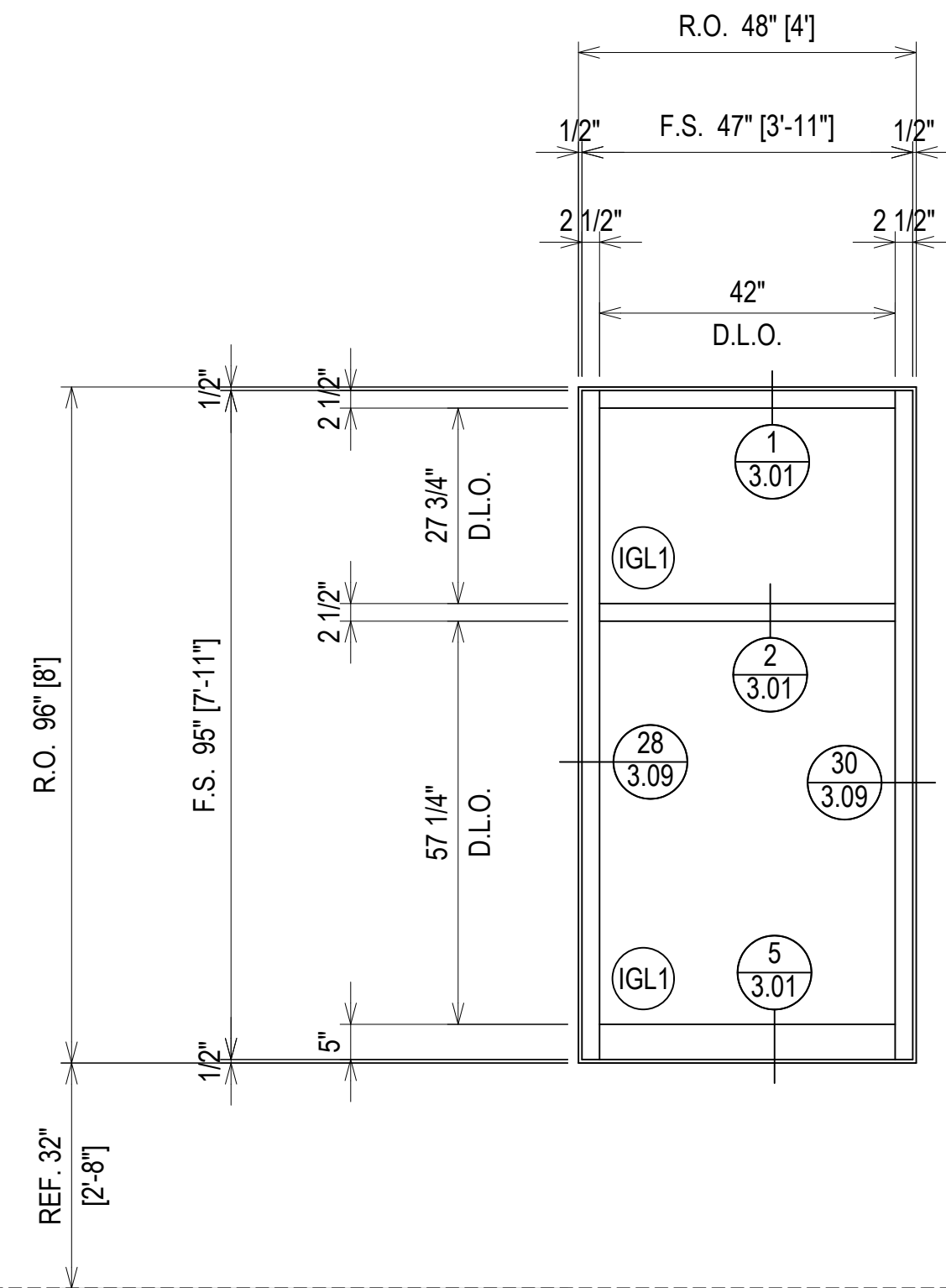
VCU MONROE PARK CAMPUS STEM FACILITY

RICHMOND, VIRGINIA
ARCHITECT: BALLINGER
CUSTOMER: SPS CORPORATION

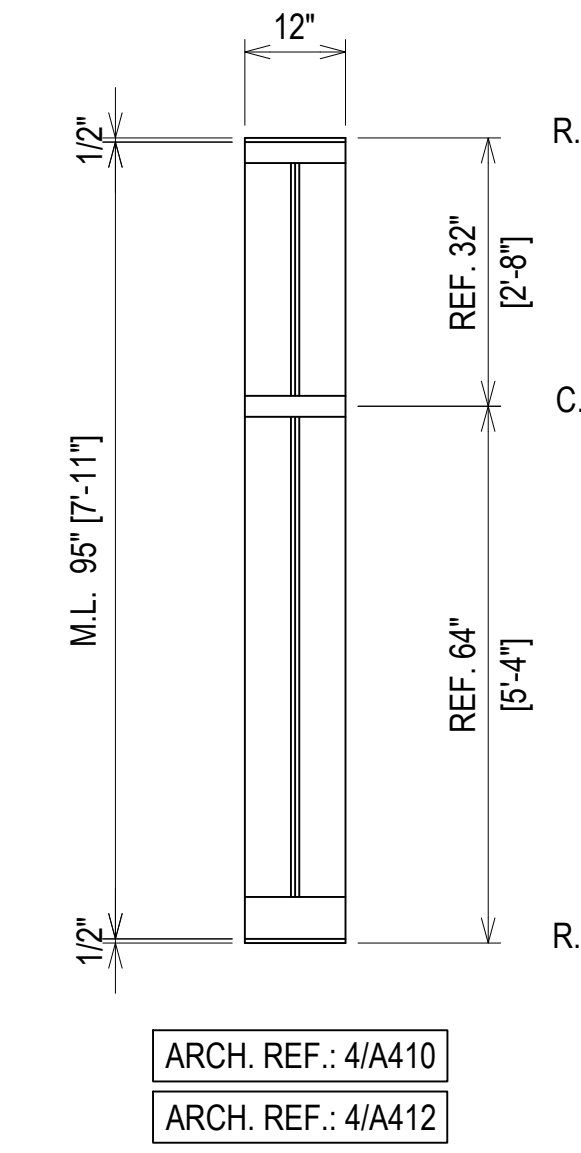
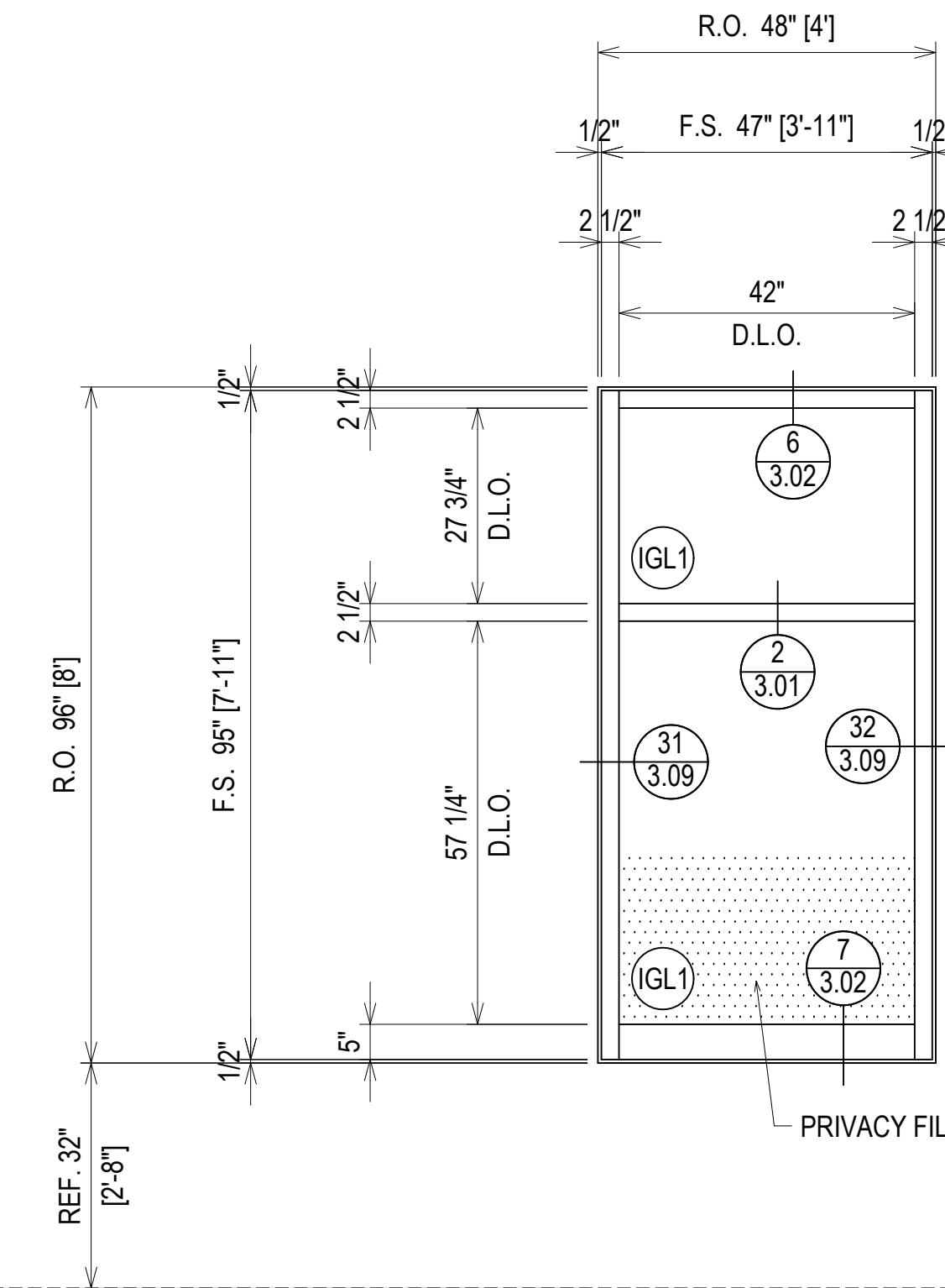
SPS Corporation
Fort Wayne, Indiana Raleigh, North Carolina
Indianapolis, Indiana Charlotte, North Carolina



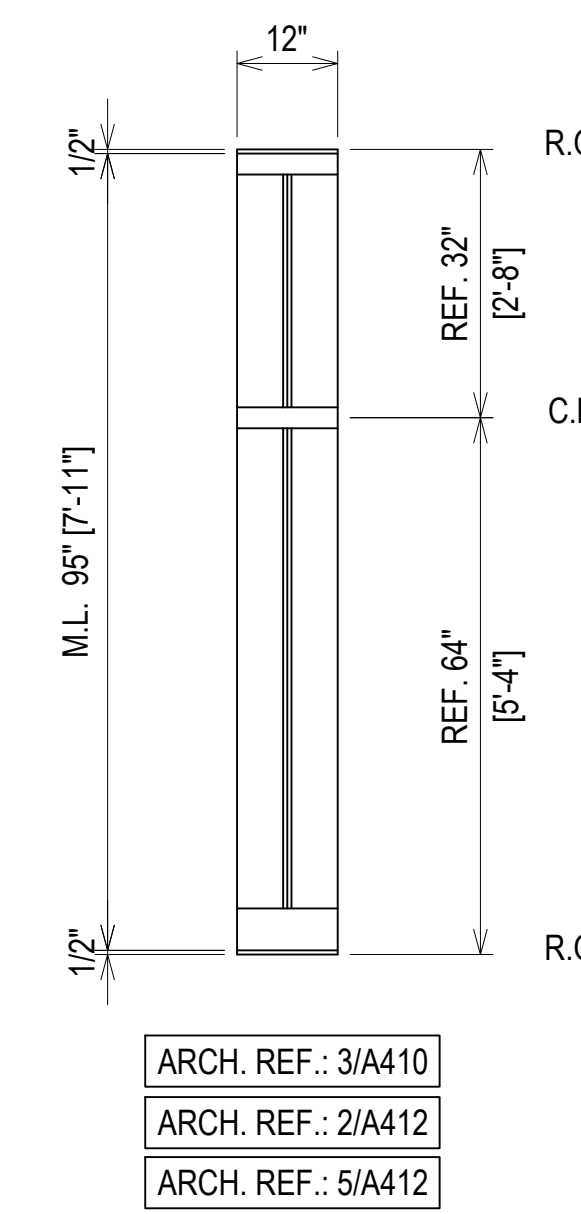
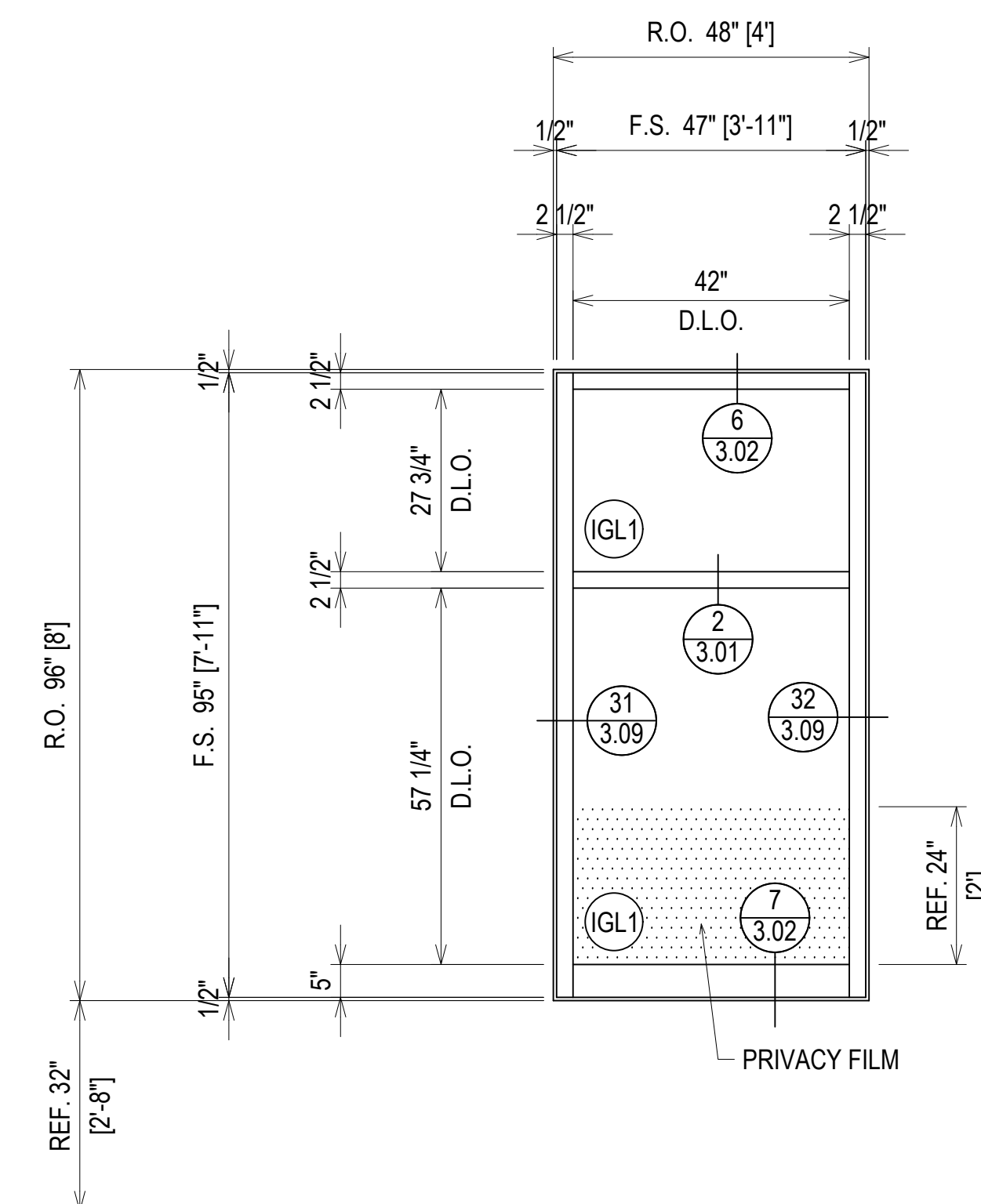
Drawn By	DJ
Date Drawn	2/4/21
Checked By	LW
Date Checked	2/4/21
Scale	AS NOTED
File No.	xxxx-xx
Job Name	VCU STERN
SHEET	



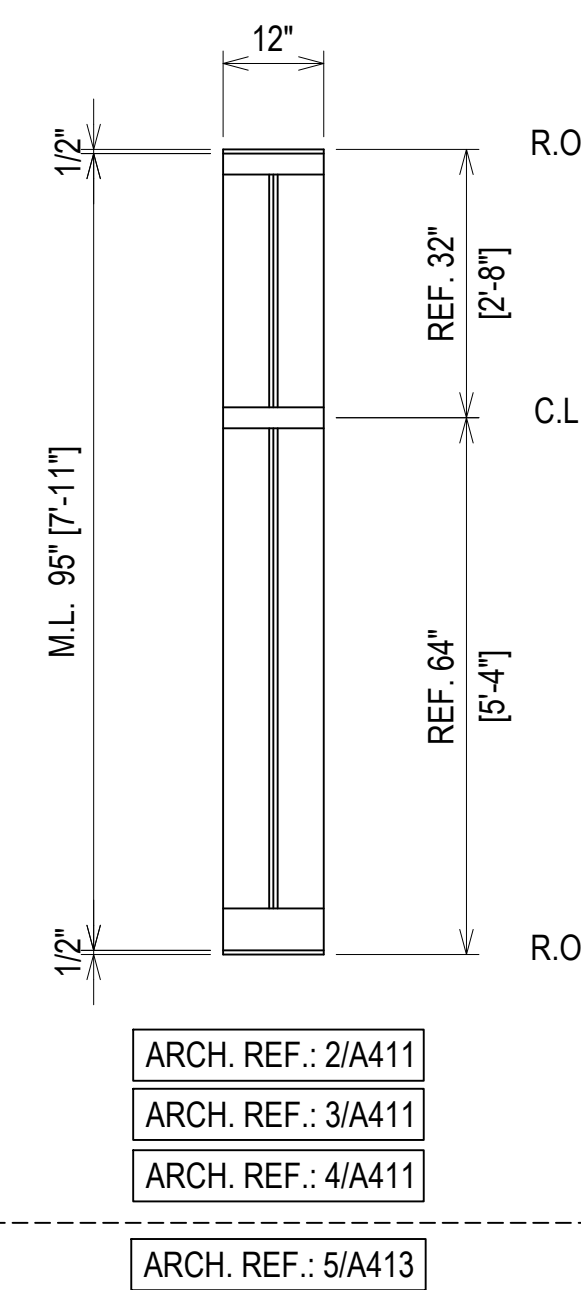
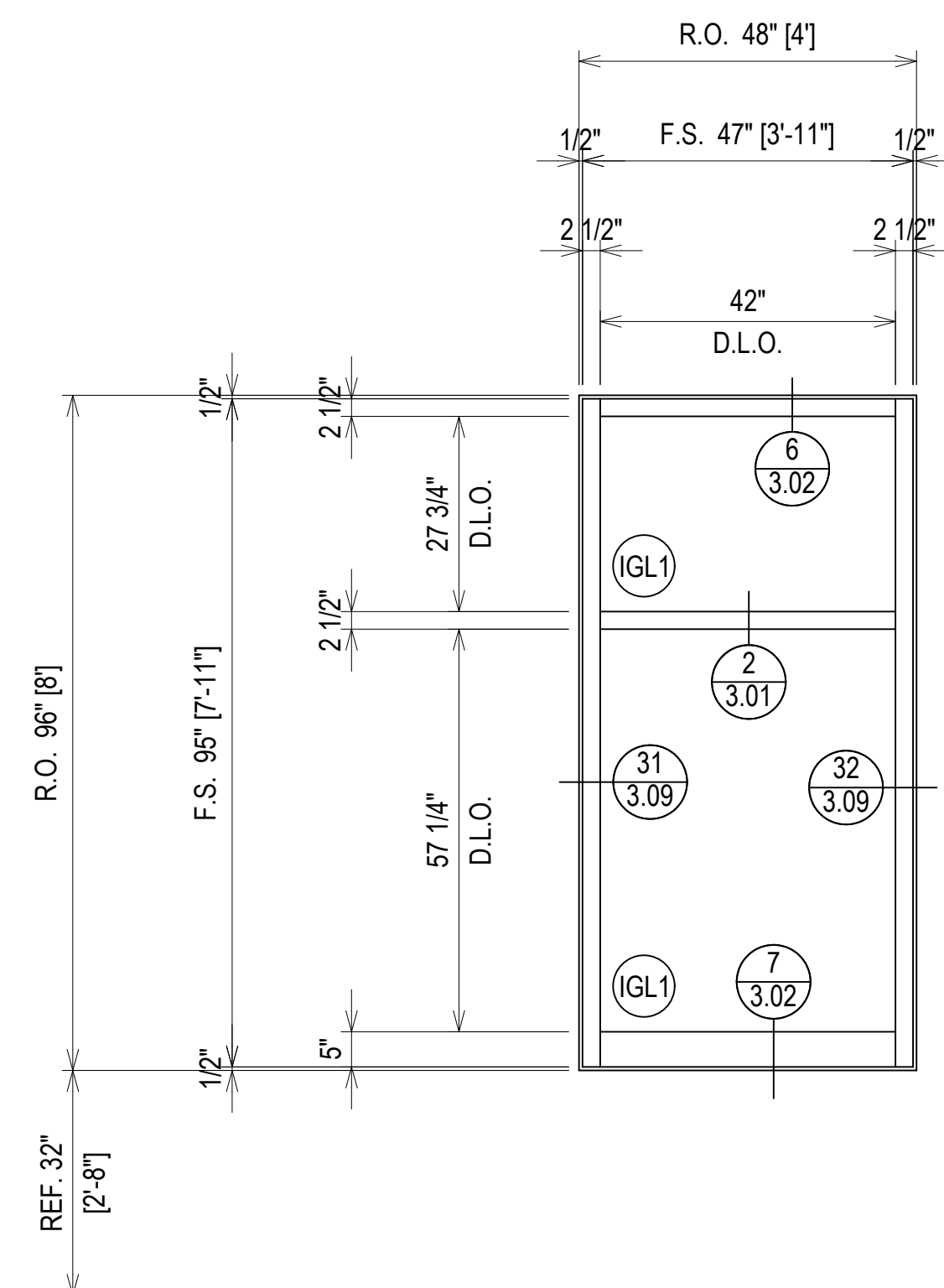
ELEVATION CW1D
 SCALE: 1/2" = 1'-0"
 KAWNEER 1600 UT - 2 1/2" X 7 1/2"
 EXTERIOR CURTAINWALL
 1" INSULATED GLASS (FRONT SET)
 QUANTITY: 4



ELEVATION CW3
 SCALE: 1/2" = 1'-0"
 KAWNEER 1600 UT - 2 1/2" X 7 1/2"
 EXTERIOR CURTAINWALL
 1" INSULATED GLASS (FRONT SET)
 QUANTITY: 12



ELEVATION CW3A
 SCALE: 1/2" = 1'-0"
 KAWNEER 1600 UT - 2 1/2" X 7 1/2"
 EXTERIOR CURTAINWALL
 1" INSULATED GLASS (FRONT SET)
 QUANTITY: 10



ELEVATION CW3B
 SCALE: 1/2" = 1'-0"
 KAWNEER 1600 UT - 2 1/2" X 7 1/2"
 EXTERIOR CURTAINWALL
 1" INSULATED GLASS (FRONT SET)
 QUANTITY: 13

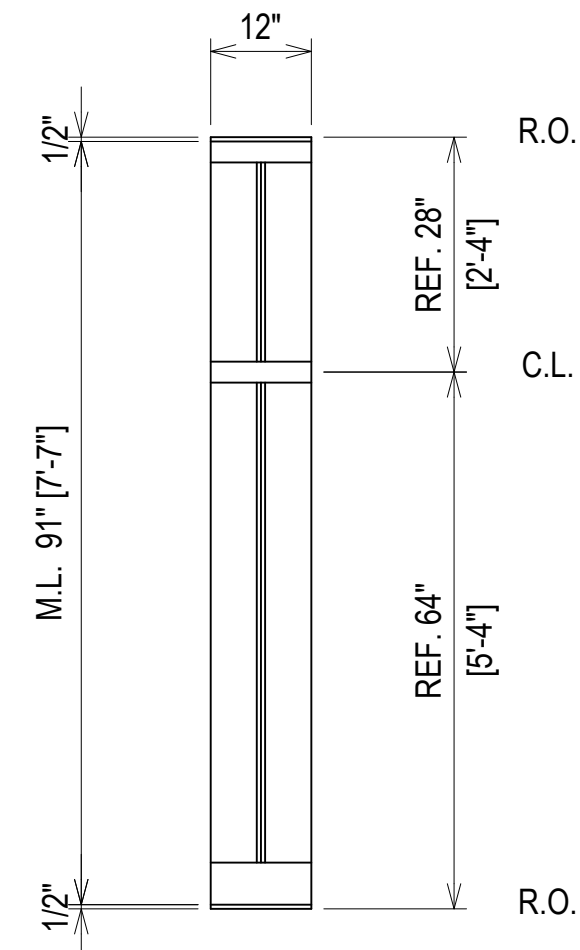
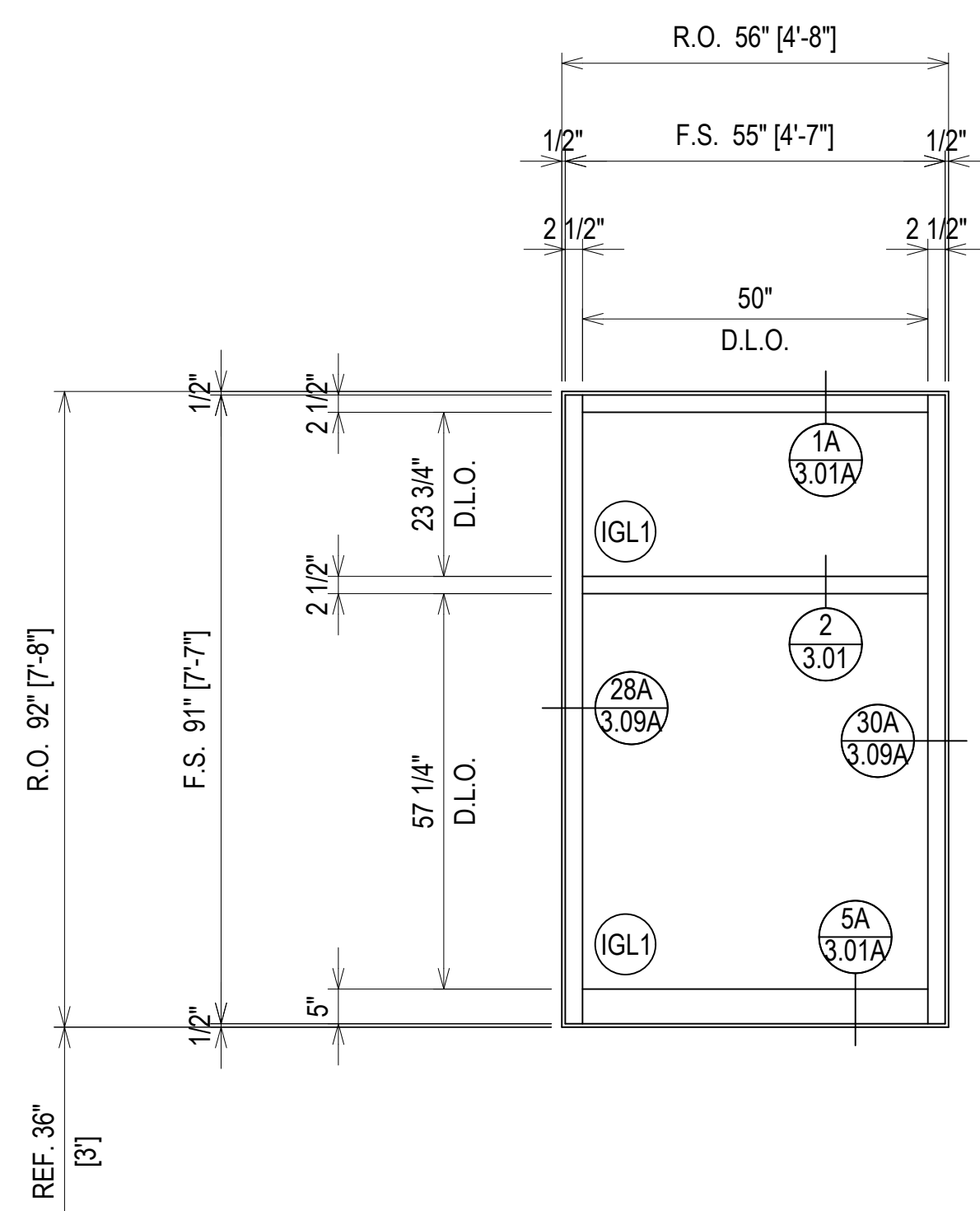
ERECTOR / G.C. NOTE:
 PLEASE FIELD VERIFY ALL DIMENSIONS

REVISIONS	BY
△ 5/19/21	CW
△ 6/8/21	CW
△ 6/15/21	CW
△ 8/6/21	CW
△ 8/26/21	CW
△ 9/16/21	CW

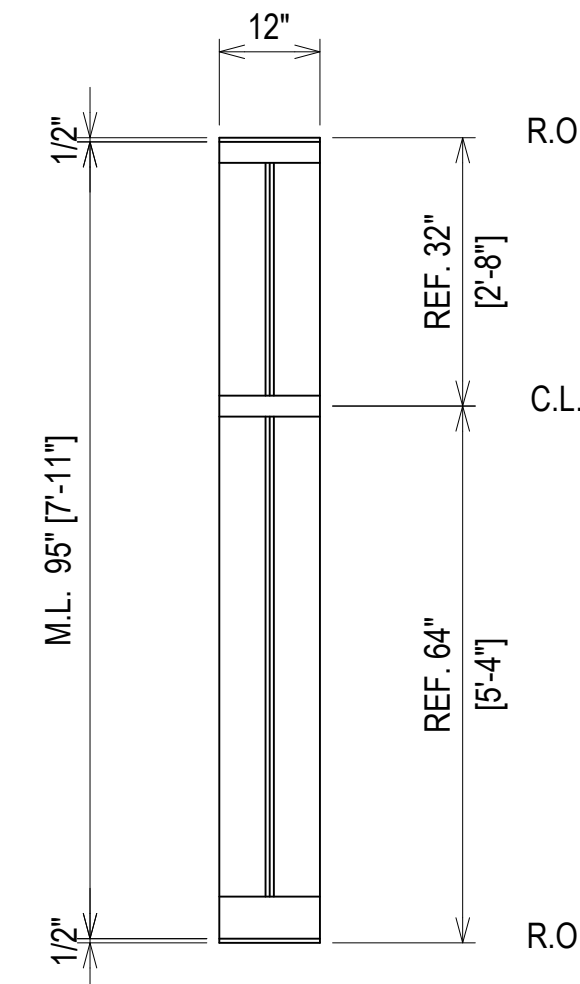
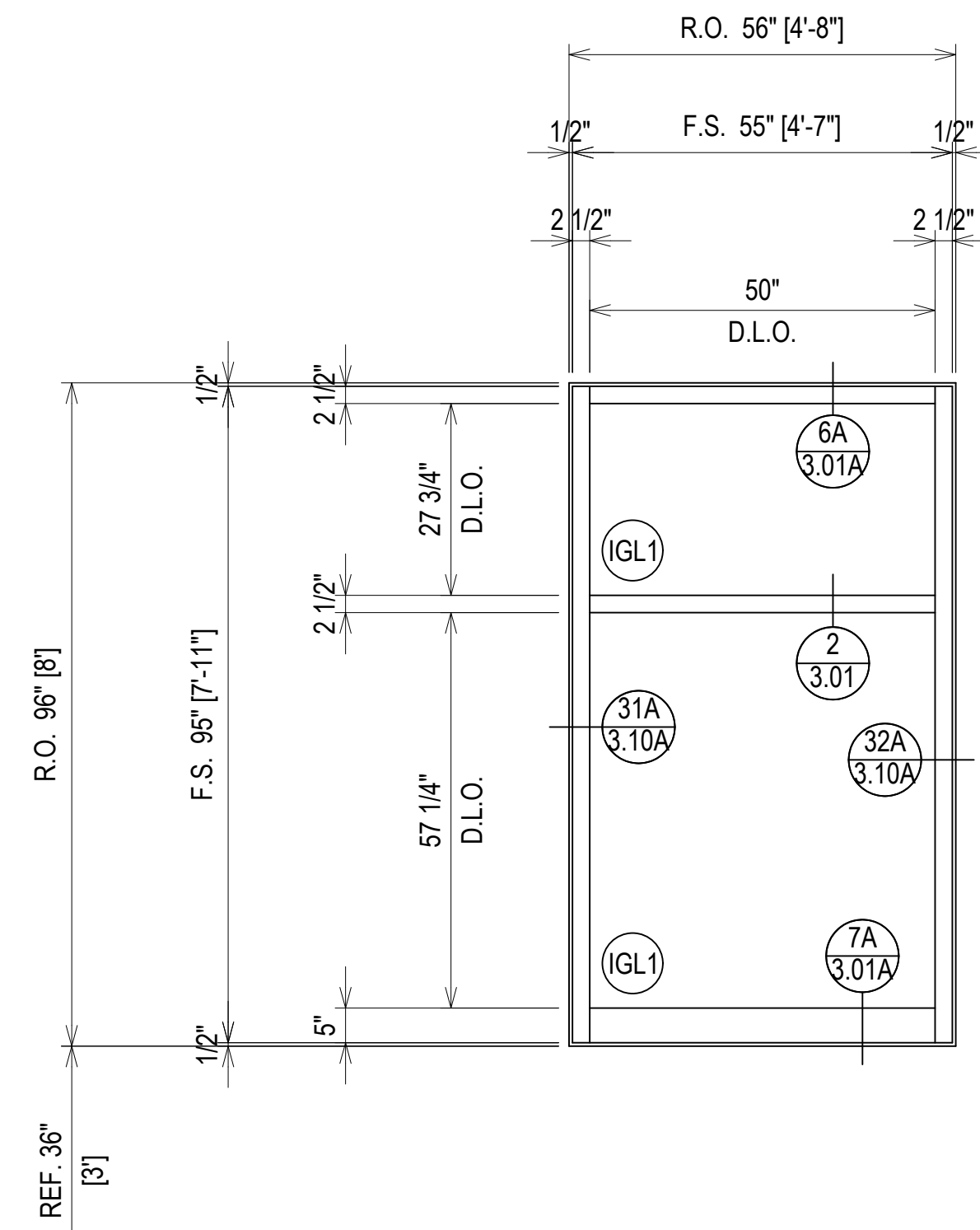
VCU MONROE PARK CAMPUS STEM FACILITY
 RICHMOND, VIRGINIA
 ARCHITECT: BALLINGER
 CUSTOMER: SPS CORPORATION

SPS Corporation
 Fort Wayne, Indiana Raleigh, North Carolina
 Indianapolis, Indiana Charlotte, North Carolina

Drawn By	DJ
Date Drawn	2/4/21
Checked By	LW
Date Checked	2/4/21
Scale	AS NOTED
File No.	xxxx-xx
Job Name	VCU STERN
SHEET	



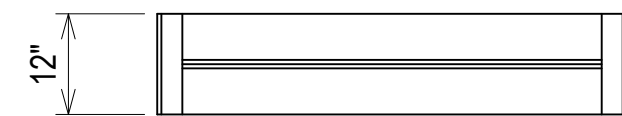
ARCH. REF.: 1/A412



ARCH. REF.: 1/A412

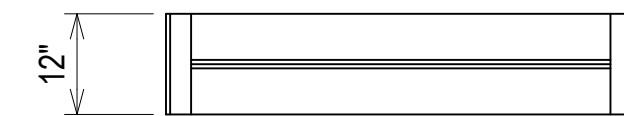
SIXTH FLOOR
270' - 2"

FIFTH FLOOR
255' - 6"



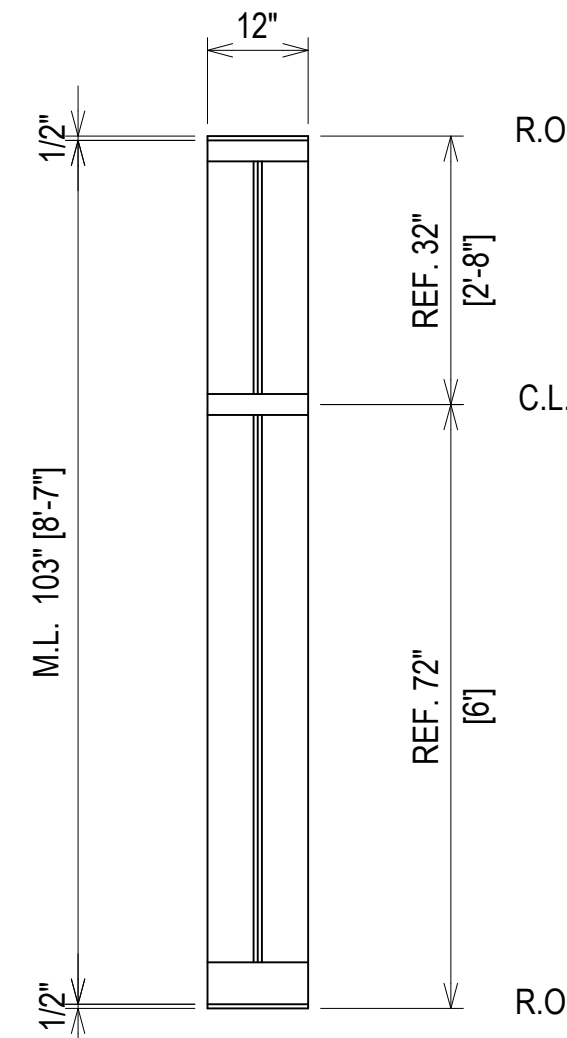
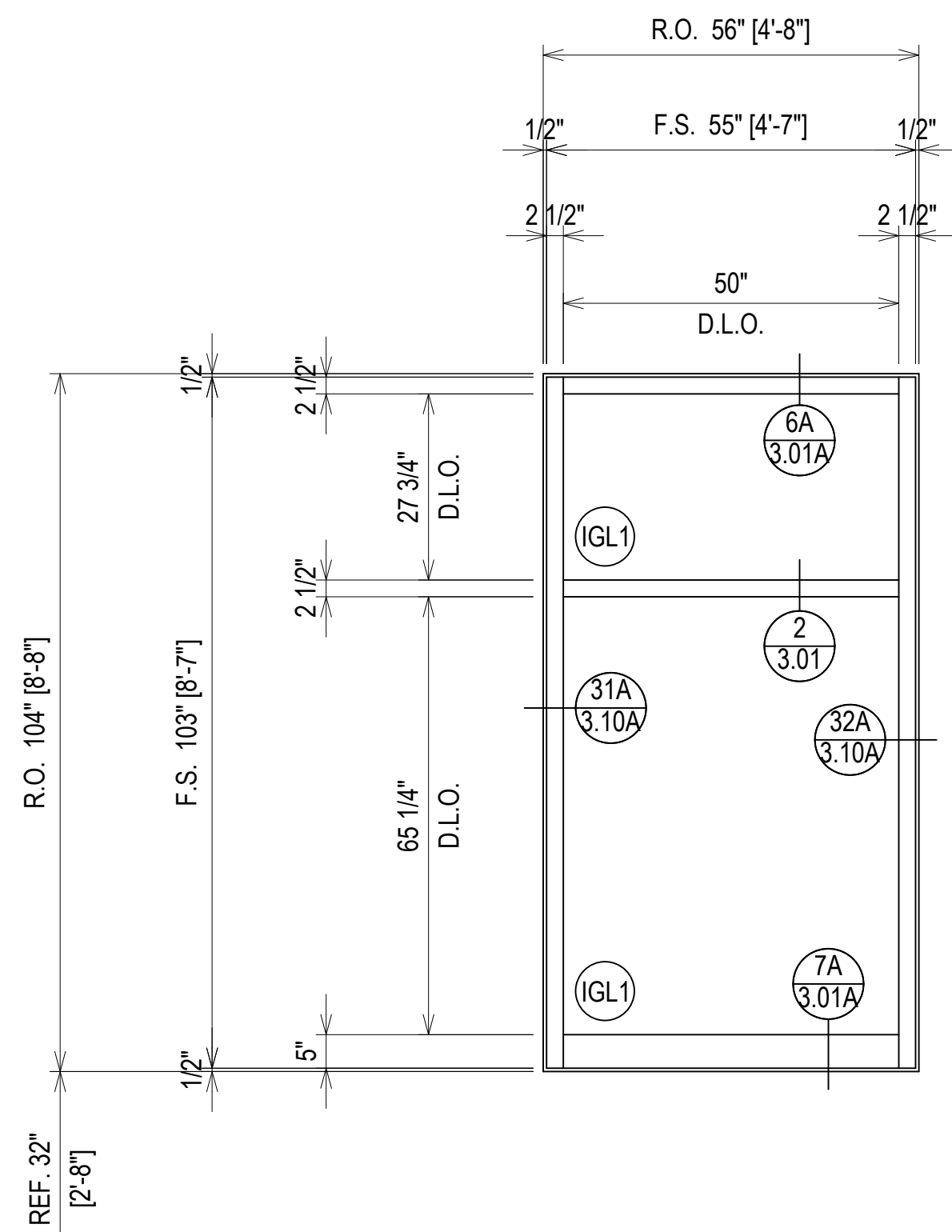
ELEVATION CW2

SCALE: 1/2" = 1'-0"
KAWNEER 1600 UT - 2 1/2" X 7 1/2"
EXTERIOR CURTAINWALL
1" INSULATED GLASS (FRONT SET)
QUANTITY: 2



ELEVATION CW4

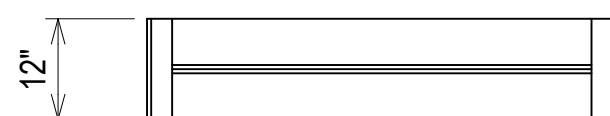
SCALE: 1/2" = 1'-0"
KAWNEER 1600 UT - 2 1/2" X 7 1/2"
EXTERIOR CURTAINWALL
1" INSULATED GLASS (FRONT SET)
QUANTITY: 2



ARCH. REF.: 1/A412

FOURTH FLOOR
240' - 10"

THIRD FLOOR
226' - 2"



ELEVATION CW9

SCALE: 1/2" = 1'-0"
KAWNEER 1600 UT - 2 1/2" X 7 1/2"
EXTERIOR CURTAINWALL
1" INSULATED GLASS (FRONT SET)
QUANTITY: 4

ERECTOR / G.C. NOTE:
PLEASE FIELD VERIFY ALL DIMENSIONS

REVISIONS	BY
△	5/19/21 CW
△	6/8/21 CW
△	6/15/21 CW
△	8/6/21 CW
△	8/26/21 CW
△	9/16/21 CW

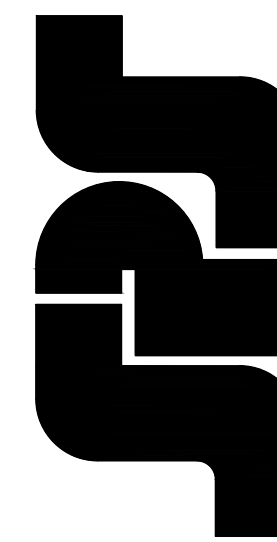
VCU MONROE PARK CAMPUS STEM FACILITY

RICHMOND, VIRGINIA

ARCHITECT: BALLINGER
CUSTOMER: SPS CORPORATION

SPS Corporation

Fort Wayne, Indiana Raleigh, North Carolina
Indianapolis, Indiana Charlotte, North Carolina



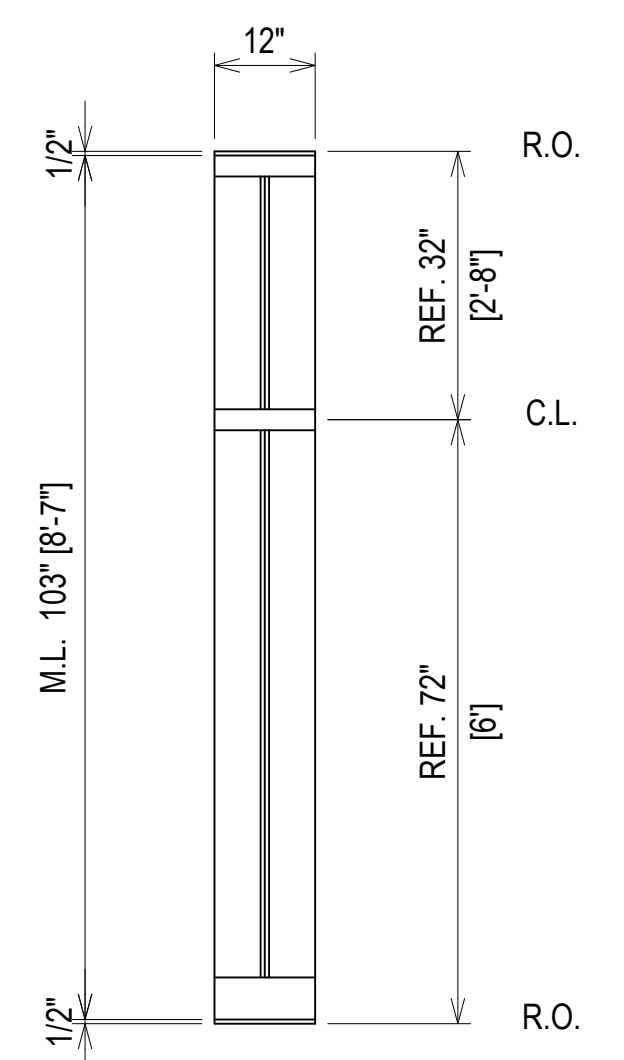
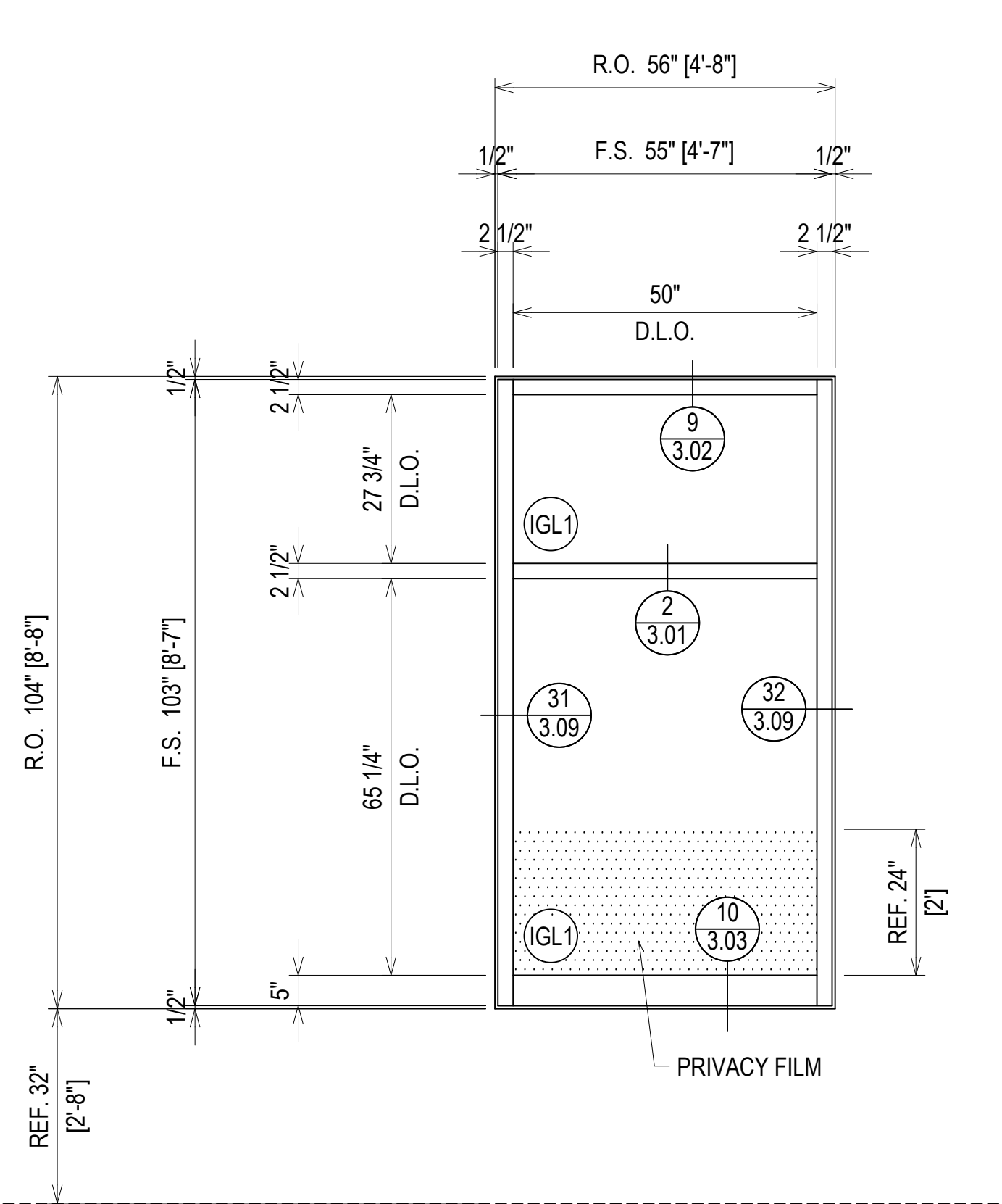
Drawn By	DJ
Date Drawn	2/4/21
Checked By	LW
Date Checked	2/4/21
Scale	AS NOTED
File No.	xxxx-xx
Job Name	VCU STERN
SHEET	

REVISIONS	BY
△	5/19/21 CW
△	6/8/21 CW
△	6/15/21 CW
△	8/6/21 CW
△	8/26/21 CW
△	9/16/21 CW

VCU MONROE PARK CAMPUS STEM FACILITY
 RICHMOND, VIRGINIA
 ARCHITECT: BALLINGER
 CUSTOMER: SPS CORPORATION

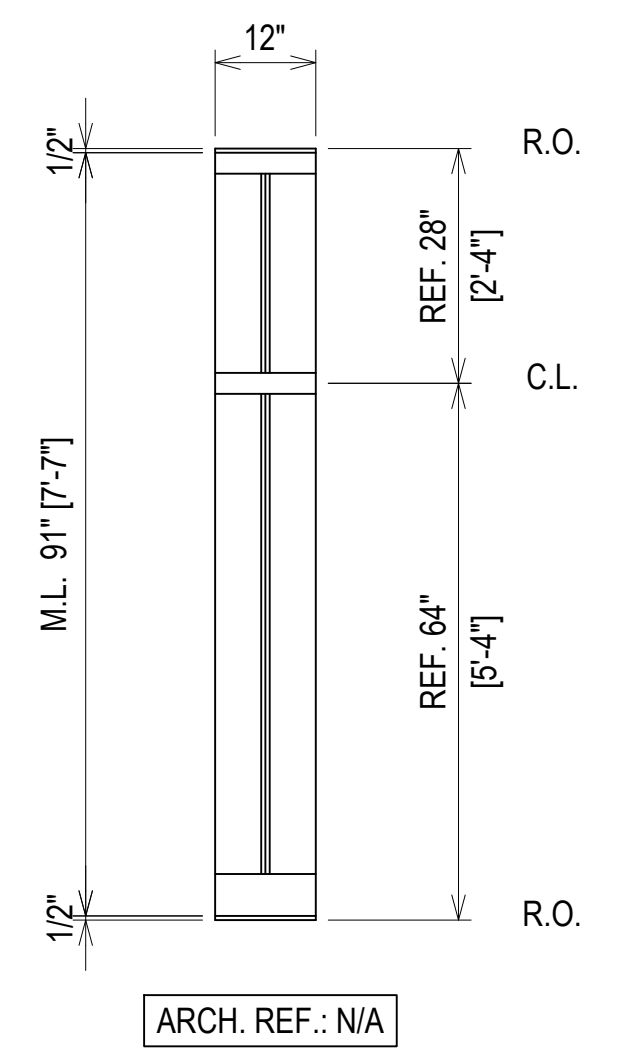
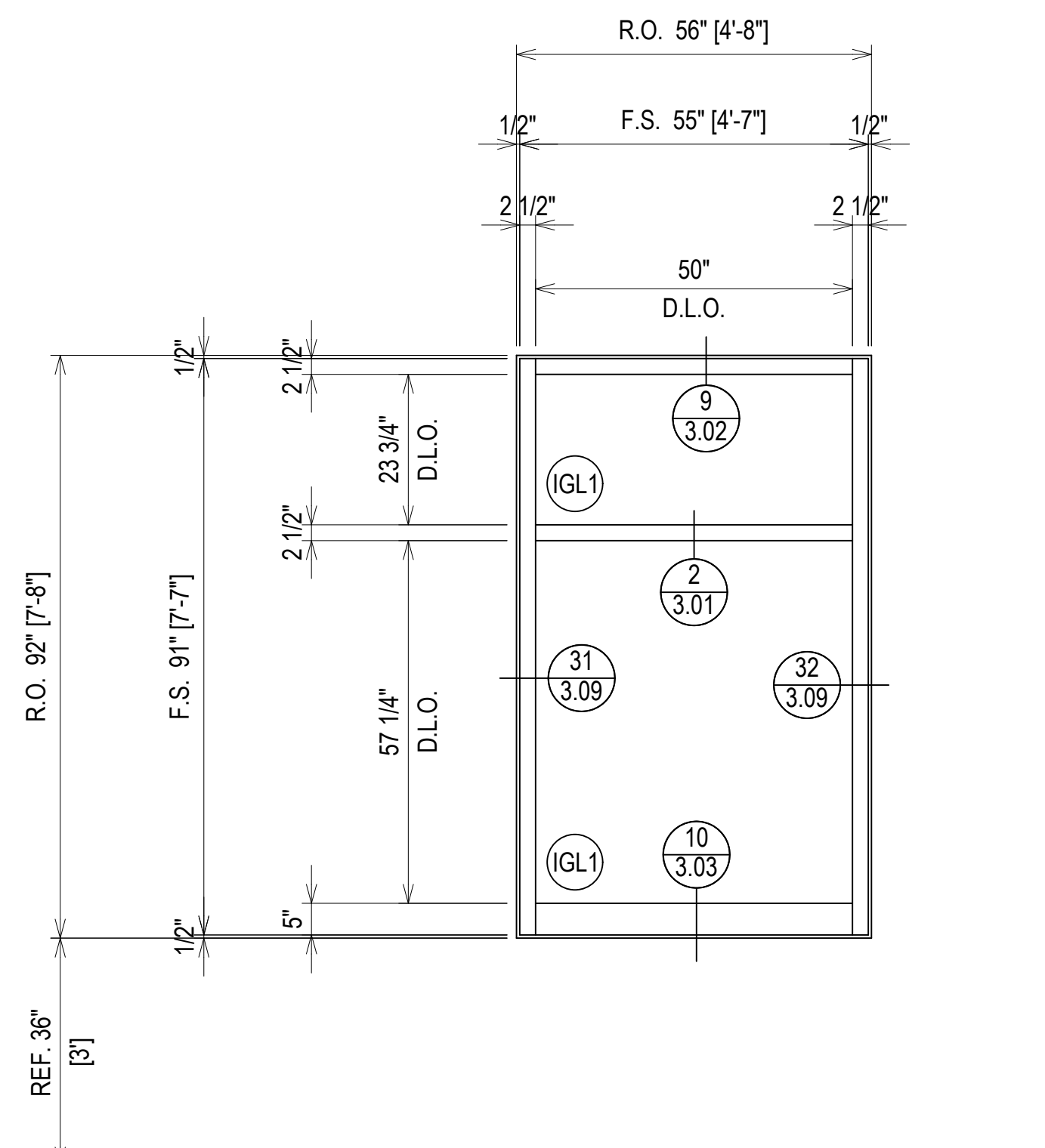
SPS Corporation
 Fort Wayne, Indiana Raleigh, North Carolina
 Indianapolis, Indiana Charlotte, North Carolina

Drawn By: DJ
 Date Drawn: 2/4/21
 Checked By: LW
 Date Checked: 2/4/21
 Scale: AS NOTED
 File No.: xxxx-xx
 Job Name: VCU STERN
 SHEET



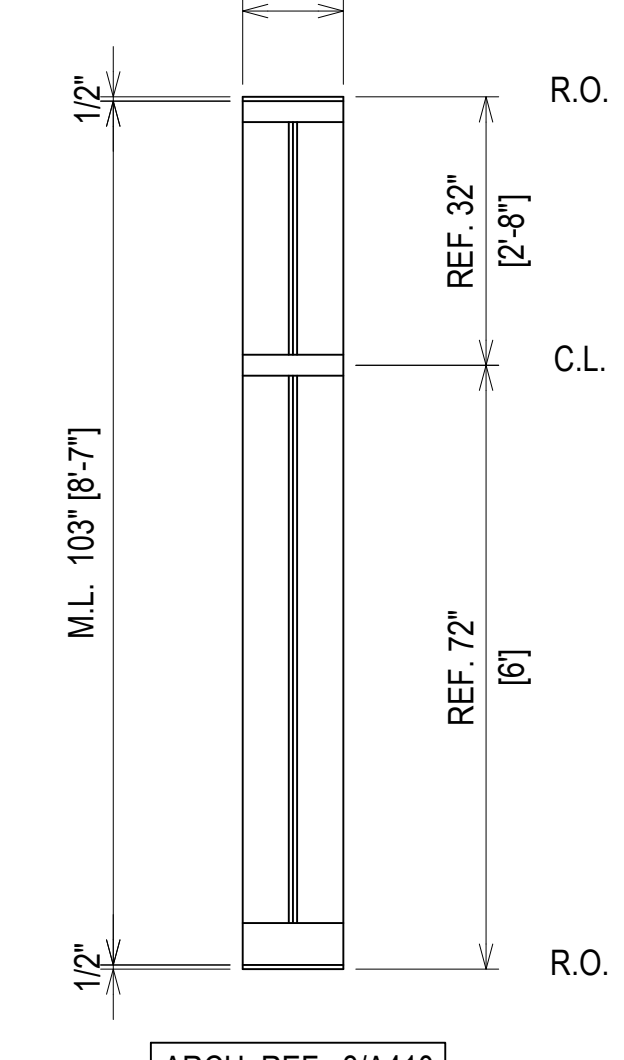
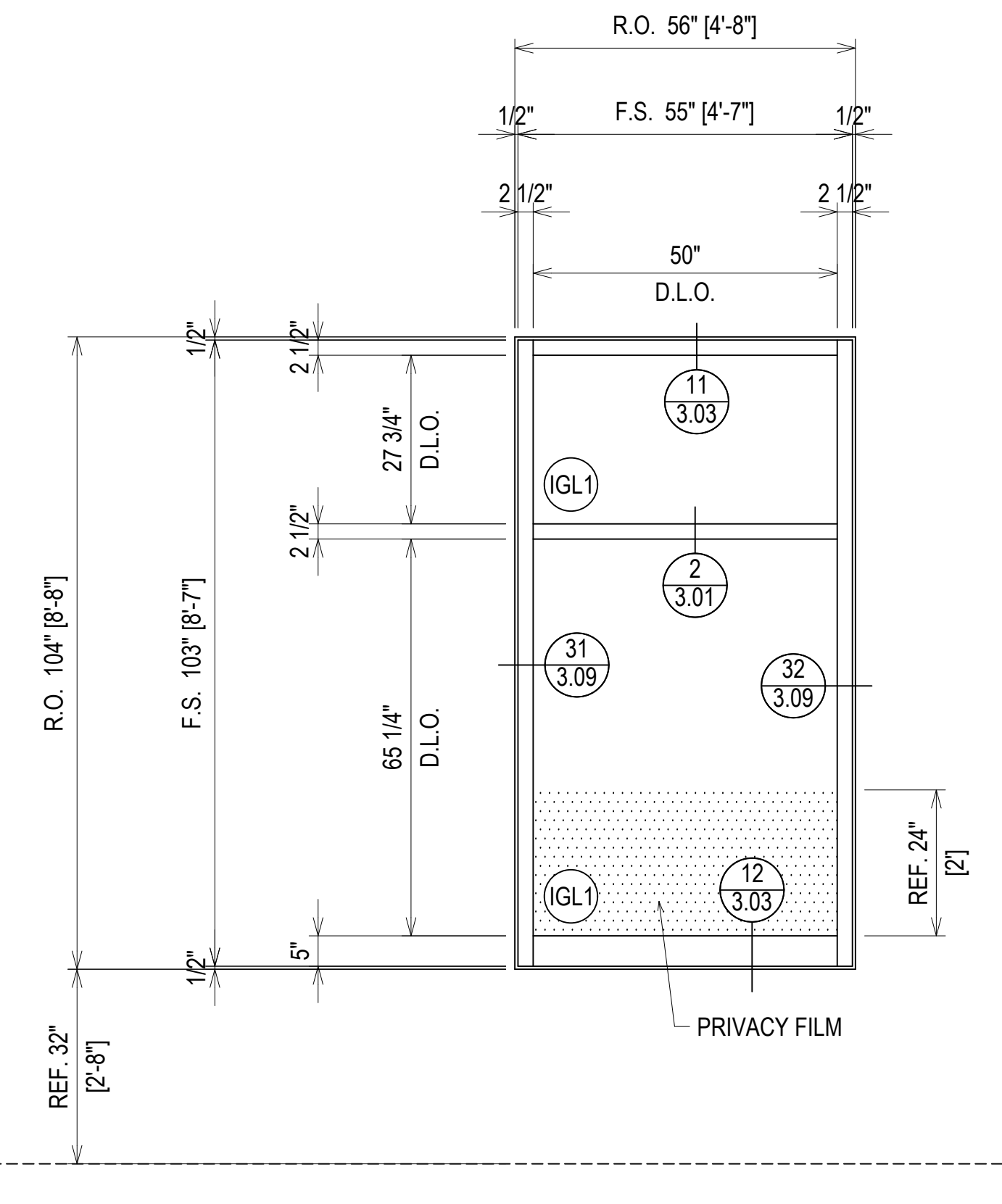
- ARCH. REF.: 3/A410
- ARCH. REF.: 4/A410
- ARCH. REF.: 2/A411
- ARCH. REF.: 4/A411
- ARCH. REF.: 2/A412
- ARCH. REF.: 4/A412
- ARCH. REF.: 5/A412

ELEVATION CW5
 SCALE: 1/2" = 1'-0"
 KAWNEER 1600 UT - 2 1/2" X 7 1/2"
 EXTERIOR CURTAINWALL
 1" INSULATED GLASS (FRONT SET)
 QUANTITY: 34



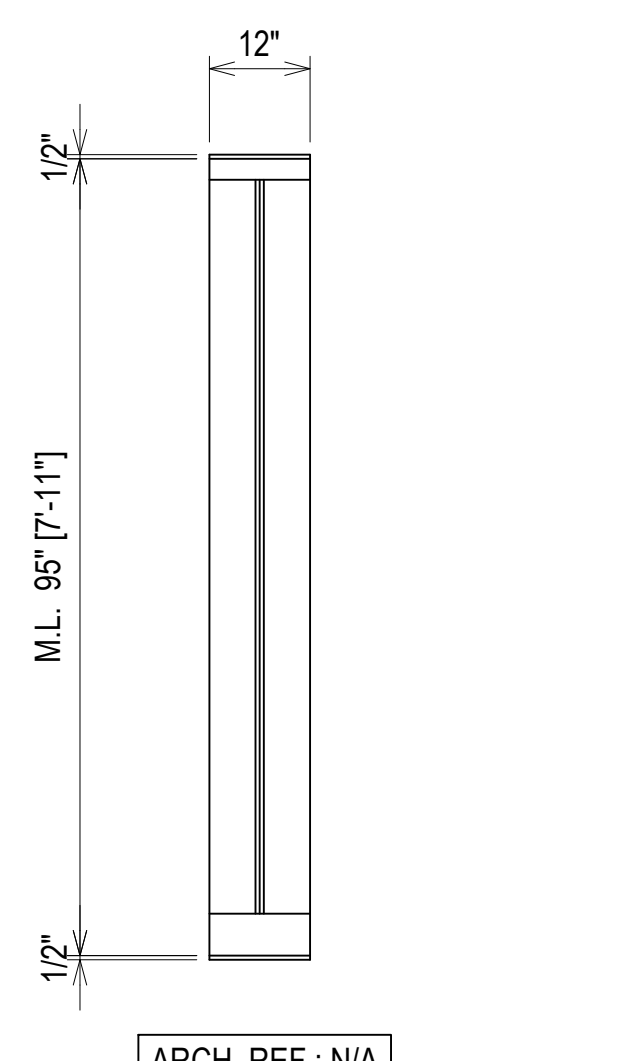
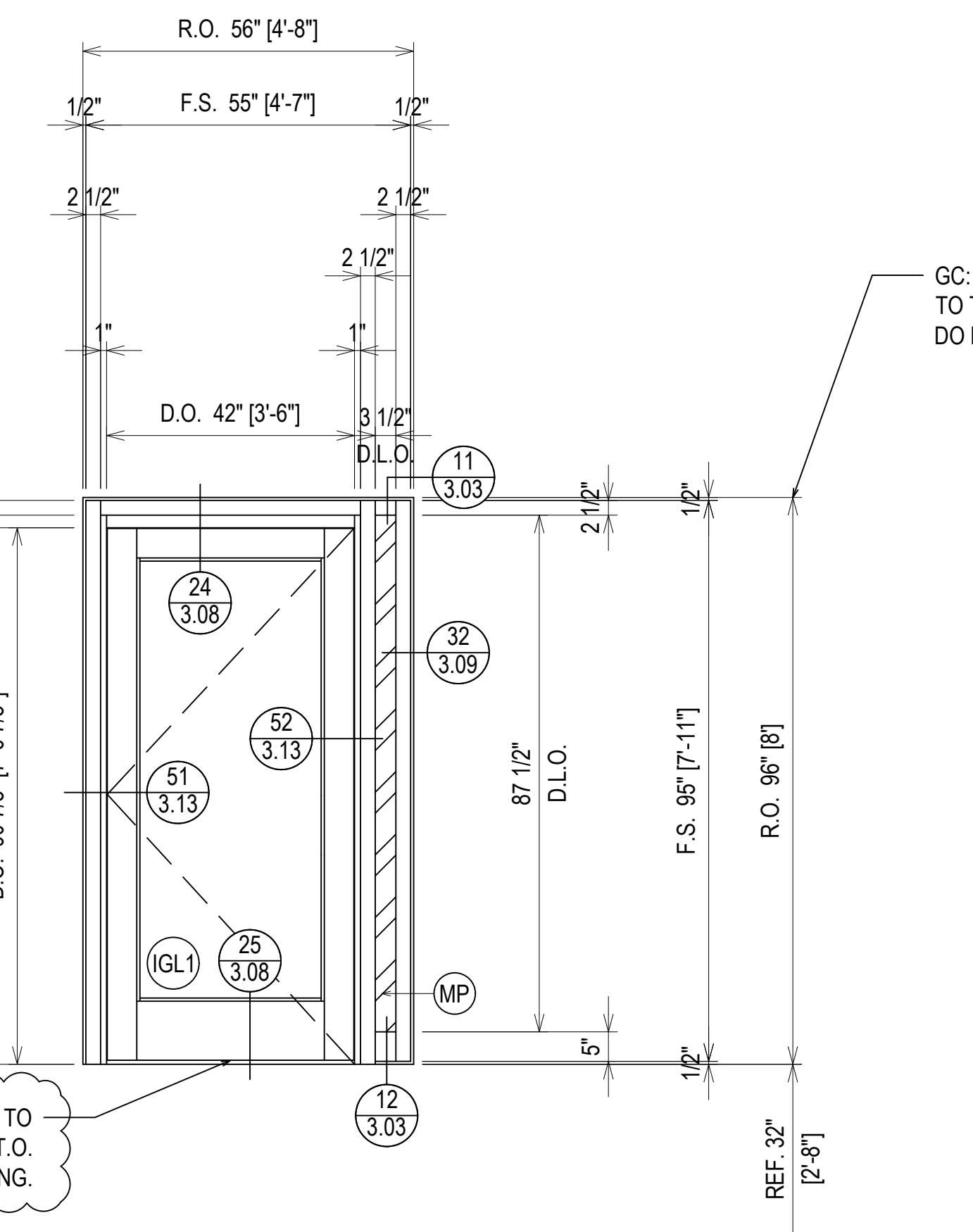
ARCH. REF.: N/A

ELEVATION CW7
 SCALE: 1/2" = 1'-0"
 KAWNEER 1600 UT - 2 1/2" X 7 1/2"
 EXTERIOR CURTAINWALL
 1" INSULATED GLASS (FRONT SET)
 QUANTITY: 1

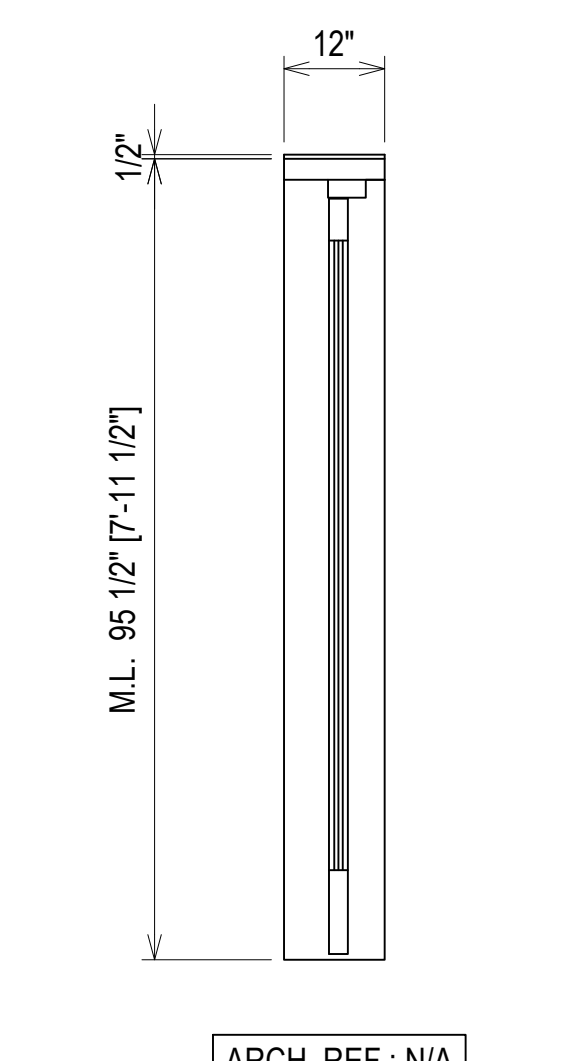


- ARCH. REF.: 3/A410
- ARCH. REF.: 4/A410
- ARCH. REF.: 2/A411
- ARCH. REF.: 4/A411
- ARCH. REF.: 2/A412
- ARCH. REF.: 4/A412
- ARCH. REF.: 5/A412

ELEVATION CW6
 SCALE: 1/2" = 1'-0"
 KAWNEER 1600 UT - 2 1/2" X 7 1/2"
 EXTERIOR CURTAINWALL
 1" INSULATED GLASS (FRONT SET)
 QUANTITY: 22

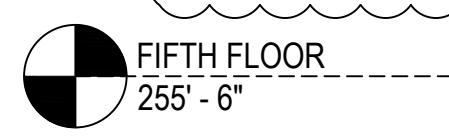
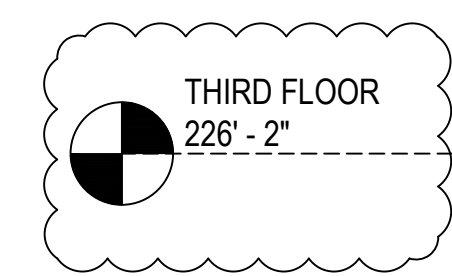


ARCH. REF.: N/A



ARCH. REF.: N/A

ELEVATION CW8
 SCALE: 1/2" = 1'-0"
 KAWNEER 1600 UT - 2 1/2" X 7 1/2"
 EXTERIOR CURTAINWALL
 1" INSULATED GLASS (FRONT SET)
 QUANTITY: 1



COORDINATE THRESHOLD PRODUCT TO PROVIDE POSITIVE DRAINAGE AT T.O. CAST STONE AWAY FROM DOOR OPENING.

GC: PLEASE COORDINATE THE ROUGH OPENINGS TO THESE SHOP DRAWINGS. PRE MANUFACTURED DOORS DO NOT ALLOW FOR ADJUSTMENT AFTER FABRICATION.

ERECTOR / G.C. NOTE:
 PLEASE FIELD VERIFY ALL DIMENSIONS

REVISIONS	BY
△	5/19/21 CW
△	6/8/21 CW
△	6/15/21 CW
△	8/6/21 CW
△	8/26/21 CW
△	9/16/21 CW

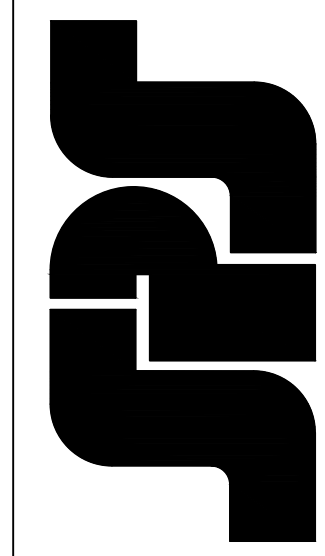
VCU MONROE PARK CAMPUS STEM FACILITY

RICHMOND, VIRGINIA

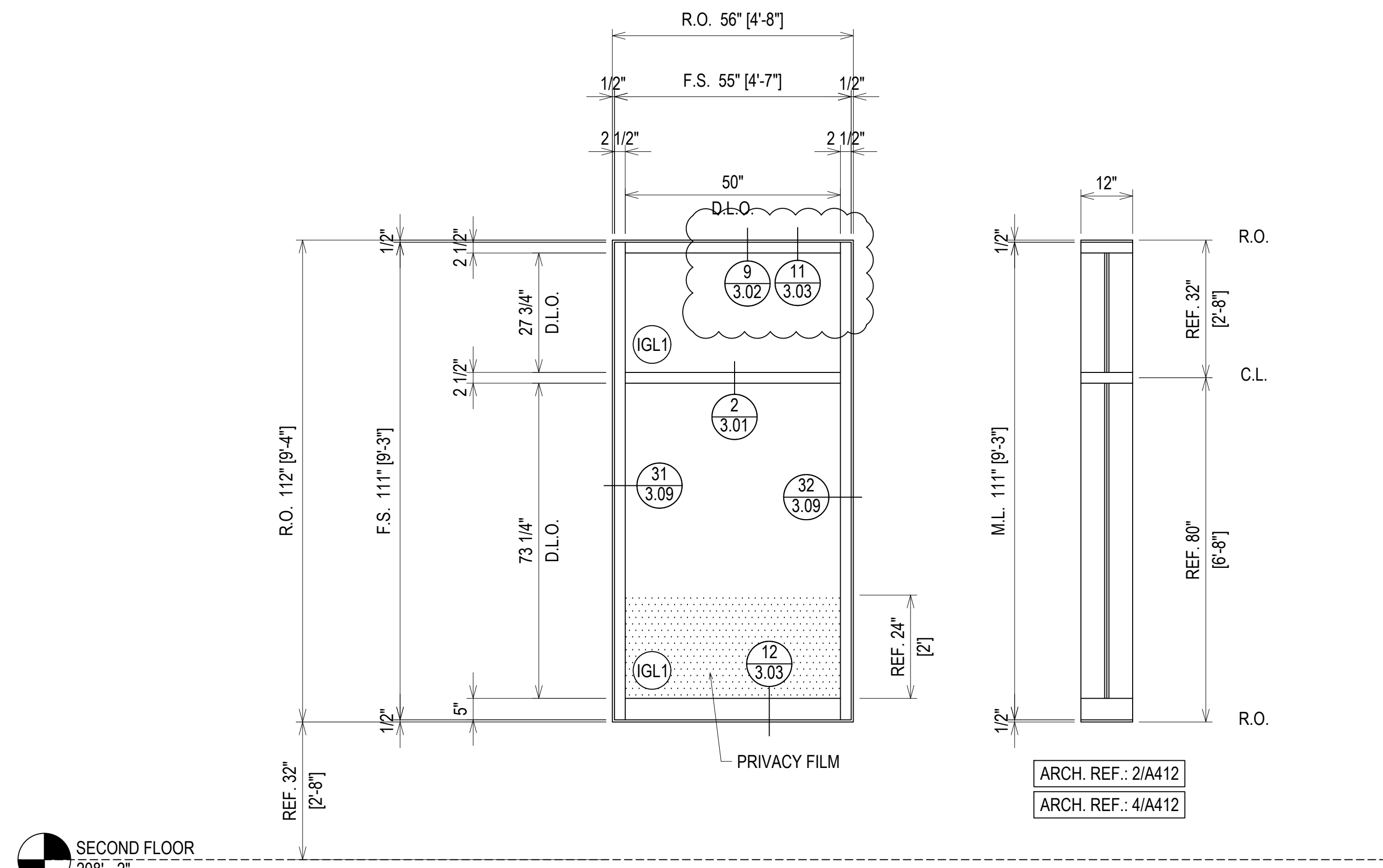
ARCHITECT: BALLINGER
CUSTOMER: SPS CORPORATION

SPS Corporation

Fort Wayne, Indiana Raleigh, North Carolina
Indianapolis, Indiana Charlotte, North Carolina

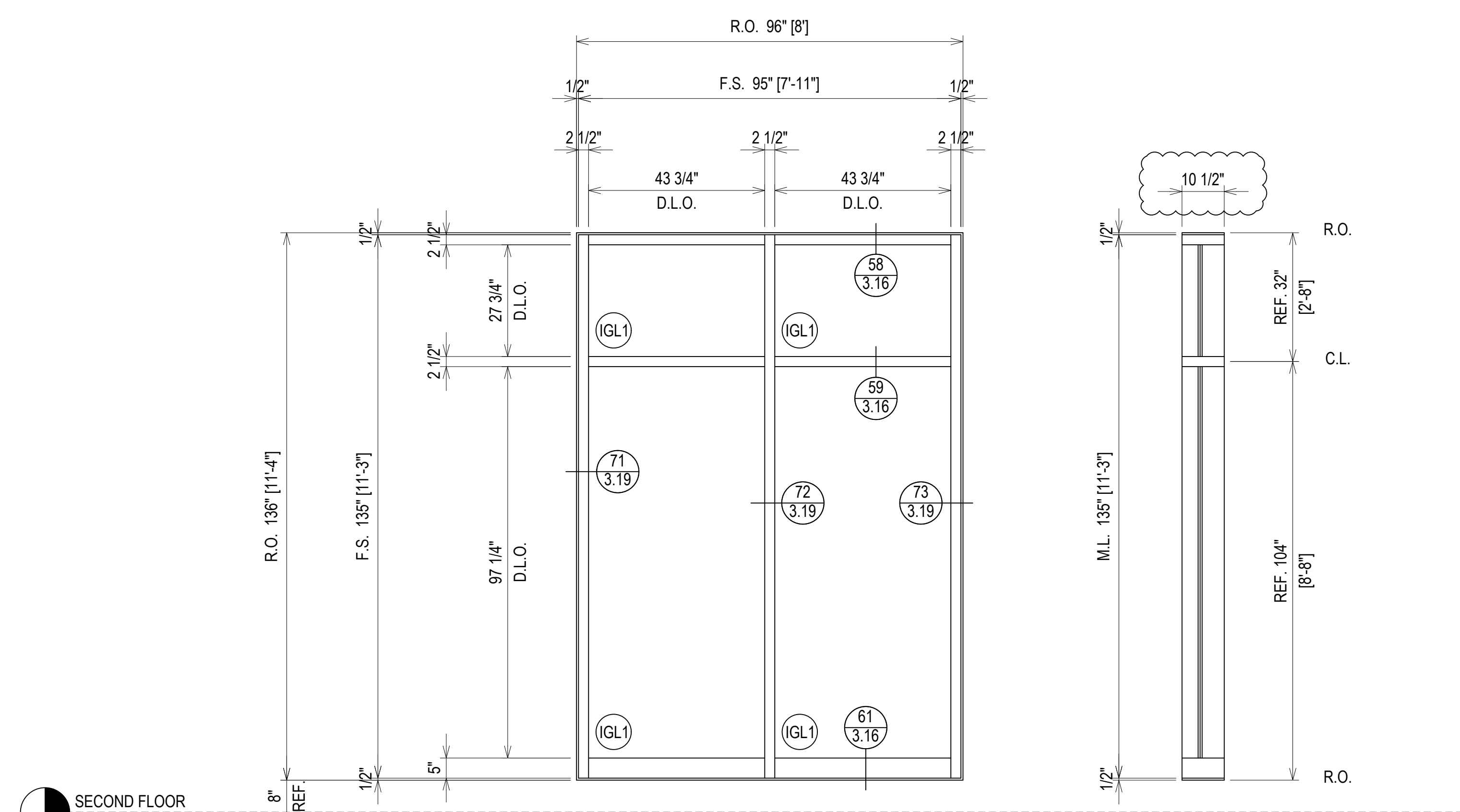
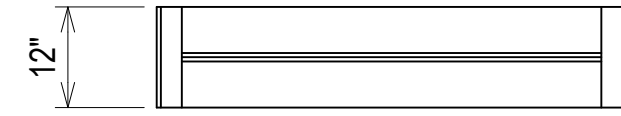


Drawn By	DJ
Date Drawn	2/4/21
Checked By	LW
Date Checked	2/4/21
Scale	AS NOTED
File No.	xxxx-xx
Job Name	VCU STERN
SHEET	



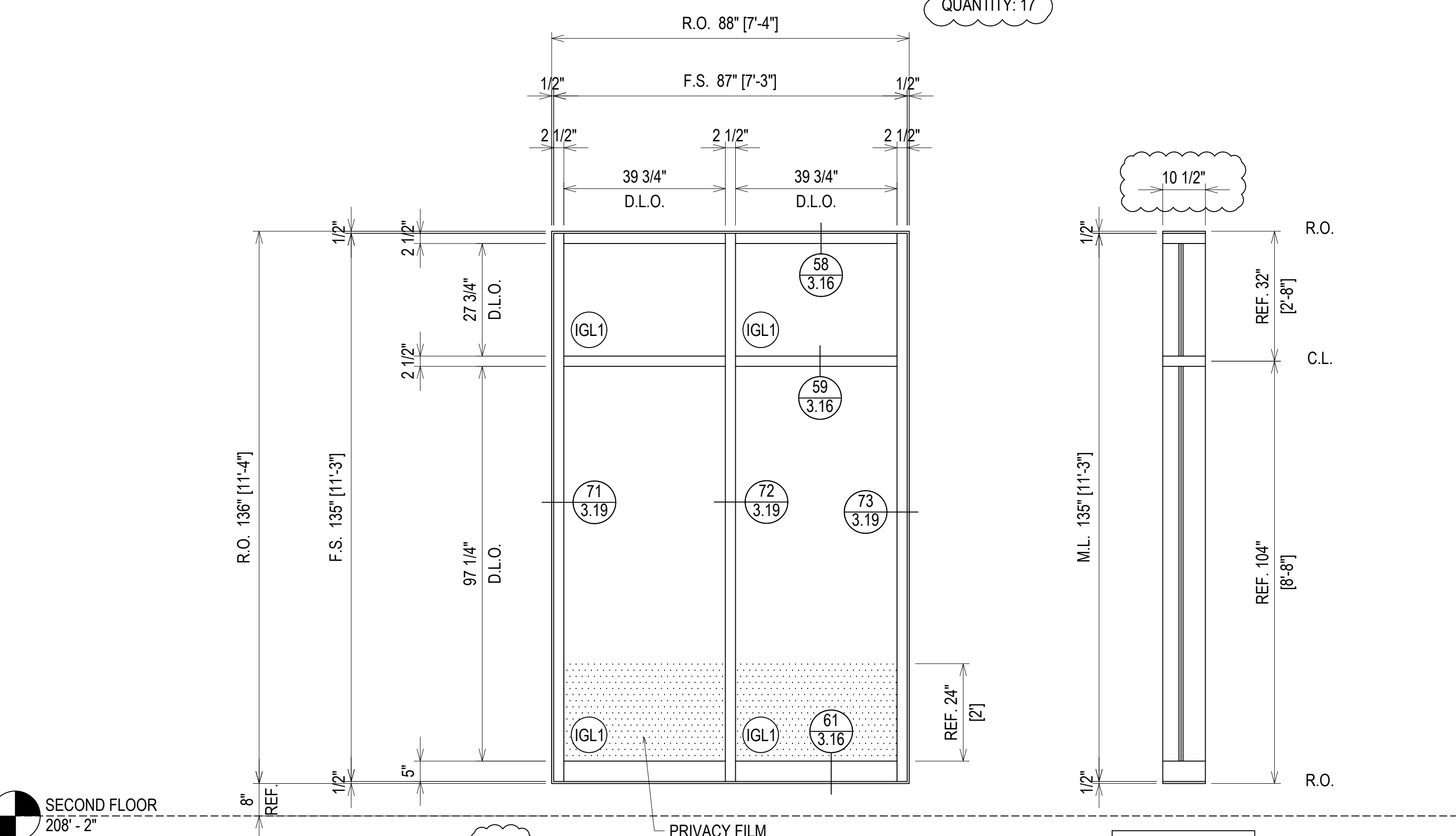
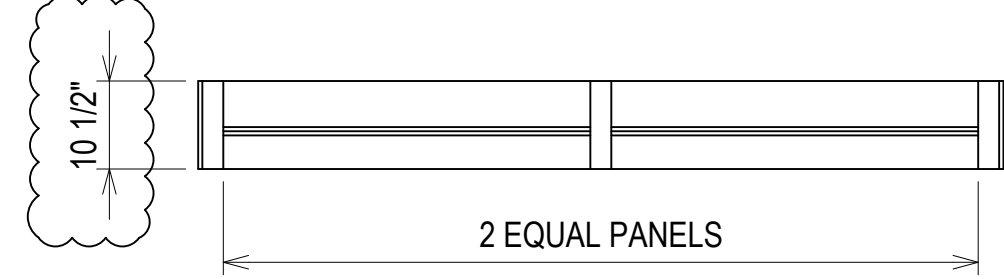
SECOND FLOOR
208'-2"

ELEVATION CW10
SCALE: 1/2" = 1'-0"
KAWNEER 1600 UT - 2 1/2" X 7 1/2"
EXTERIOR CURTAINWALL
1" INSULATED GLASS (FRONT SET)
QUANTITY: 17



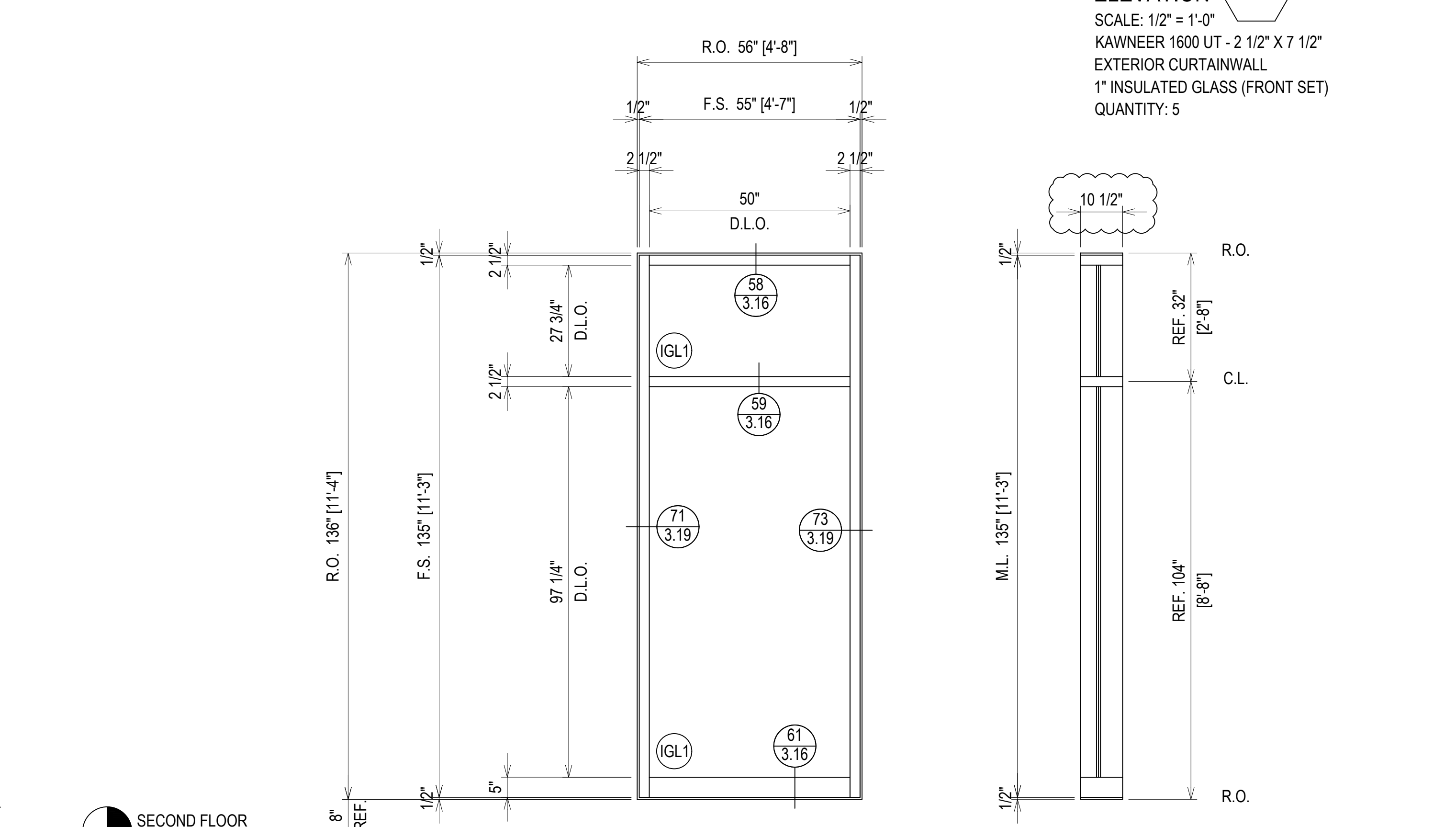
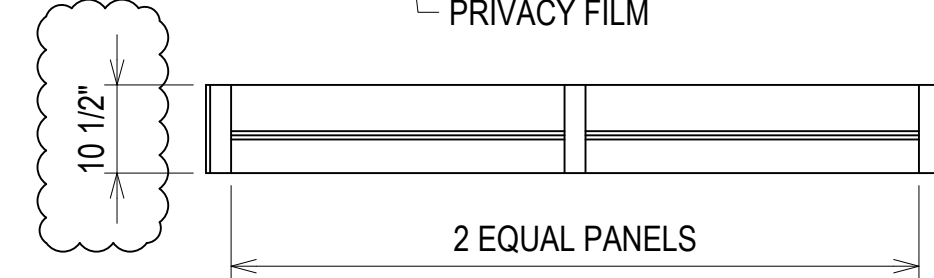
SECOND FLOOR
208'-2"

ELEVATION CW11
SCALE: 1/2" = 1'-0"
KAWNEER 1600 UT - 2 1/2" X 7 1/2"
EXTERIOR CURTAINWALL
1" INSULATED GLASS (FRONT SET)
QUANTITY: 5



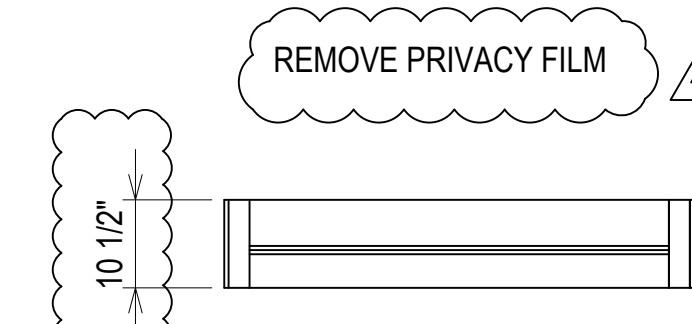
SECOND FLOOR
208'-2"

ELEVATION CW11A
SCALE: 1/2" = 1'-0"
KAWNEER 1600 UT - 2 1/2" X 7 1/2"
EXTERIOR CURTAINWALL
1" INSULATED GLASS (FRONT SET)
QUANTITY: 4



SECOND FLOOR
208'-2"

ELEVATION CW12
SCALE: 1/2" = 1'-0"
KAWNEER 1600 UT - 2 1/2" X 7 1/2"
EXTERIOR CURTAINWALL
1" INSULATED GLASS (FRONT SET)
QUANTITY: 1



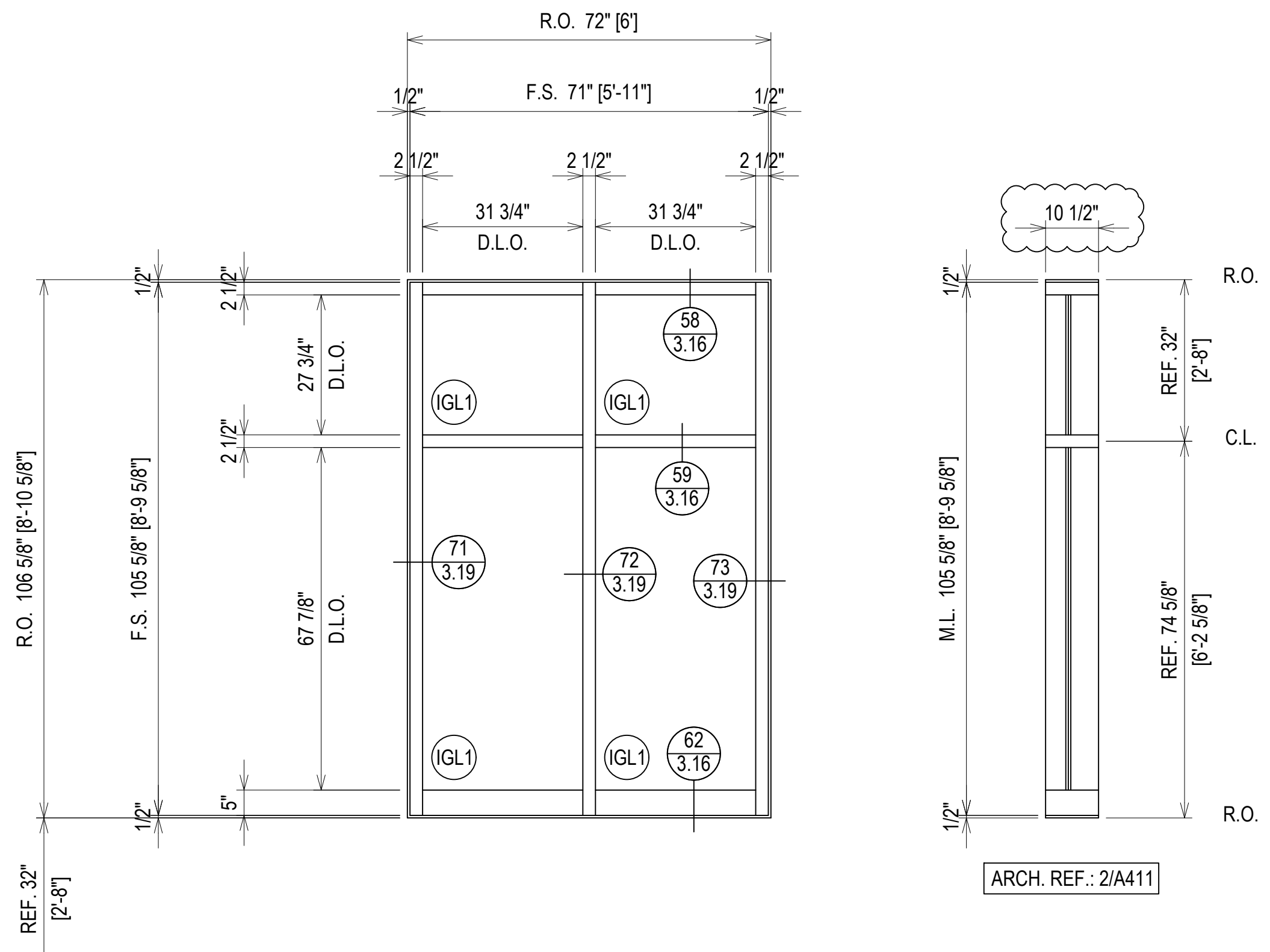
ERECTOR / G.C. NOTE:
PLEASE FIELD VERIFY ALL DIMENSIONS

REVISIONS	BY
△	5/19/21 CW
△	6/8/21 CW
△	6/15/21 CW
△	8/6/21 CW
△	8/26/21 CW
△	9/16/21 CW

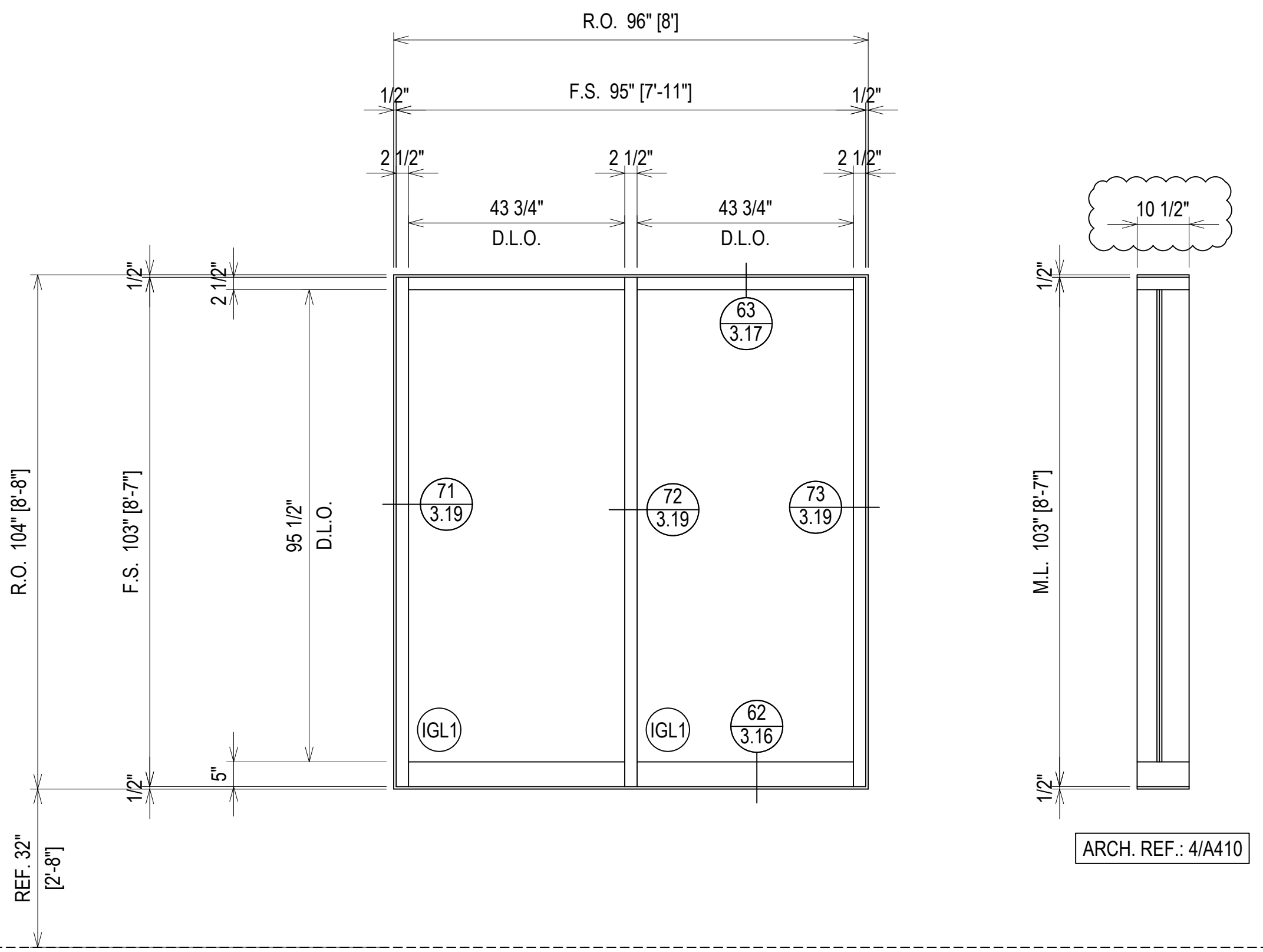
VCU MONROE PARK CAMPUS STEM FACILITY
 RICHMOND, VIRGINIA
 ARCHITECT: BALLINGER
 CUSTOMER: SPS CORPORATION

SPS Corporation
 Fort Wayne, Indiana Raleigh, North Carolina
 Indianapolis, Indiana Charlotte, North Carolina

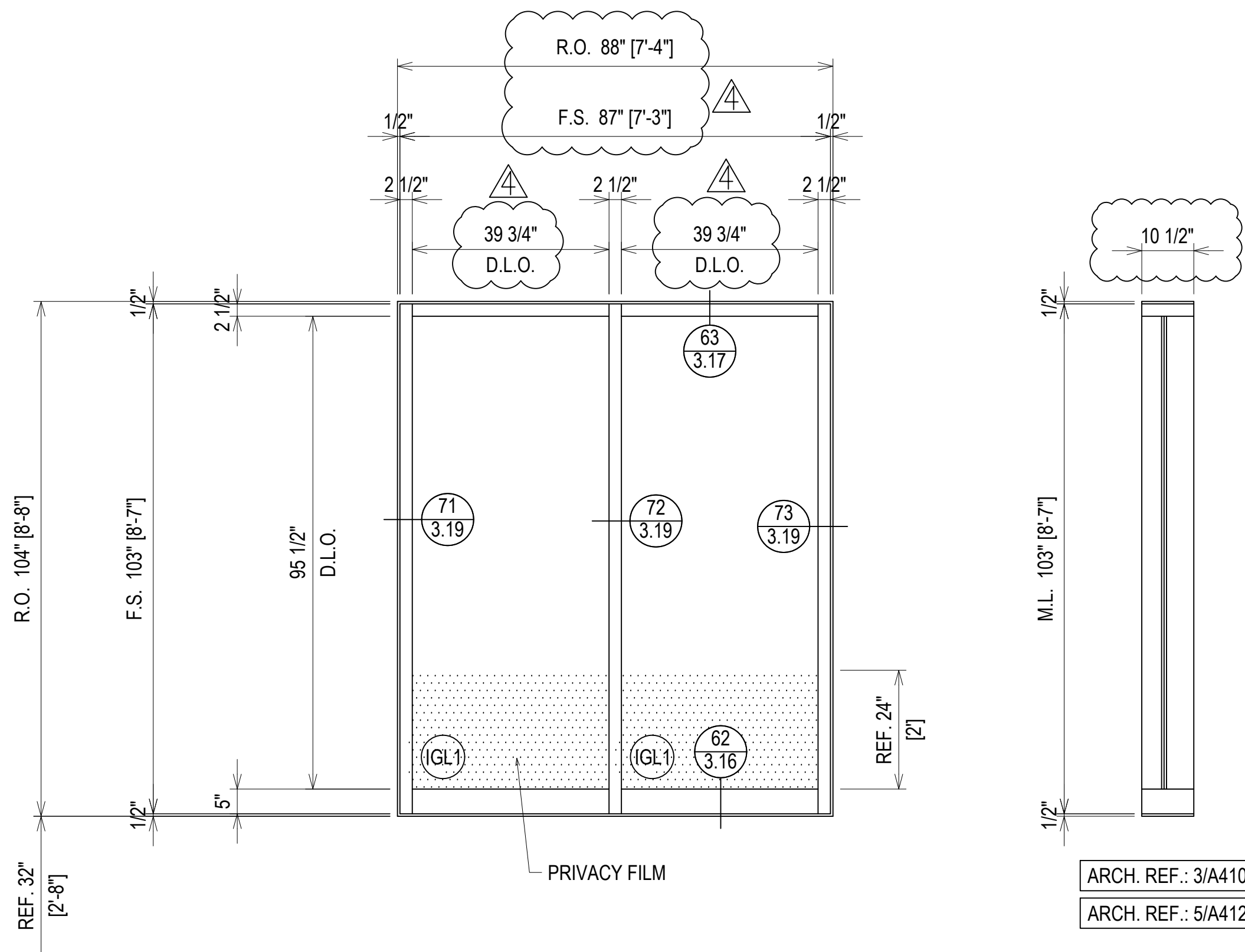
Drawn By	DJ
Date Drawn	2/4/21
Checked By	LW
Date Checked	2/4/21
Scale	AS NOTED
File No.	xxxx-xx
Job Name	VCU STERN
SHEET	



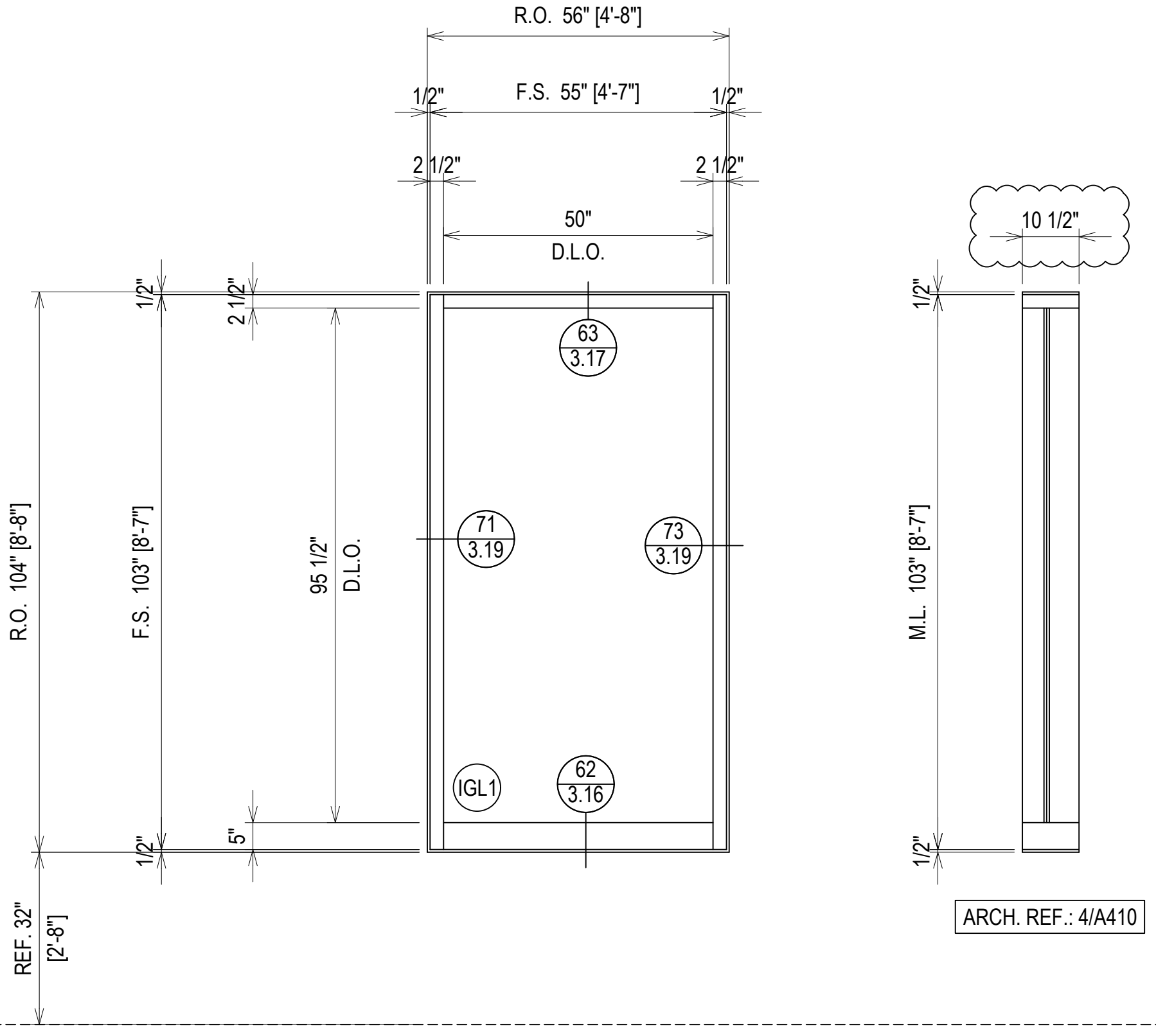
ELEVATION CW13
 SCALE: 1/2" = 1'-0"
 KAWNEER 1600 UT - 2 1/2" X 7 1/2"
 EXTERIOR CURTAINWALL
 1" INSULATED GLASS (FRONT SET)
 QUANTITY: 2



ELEVATION CW14
 SCALE: 1/2" = 1'-0"
 KAWNEER 1600 UT - 2 1/2" X 7 1/2"
 EXTERIOR CURTAINWALL
 1" INSULATED GLASS (FRONT SET)
 QUANTITY: 4



ELEVATION CW14A
 SCALE: 1/2" = 1'-0"
 KAWNEER 1600 UT - 2 1/2" X 7 1/2"
 EXTERIOR CURTAINWALL
 1" INSULATED GLASS (FRONT SET)
 QUANTITY: 4



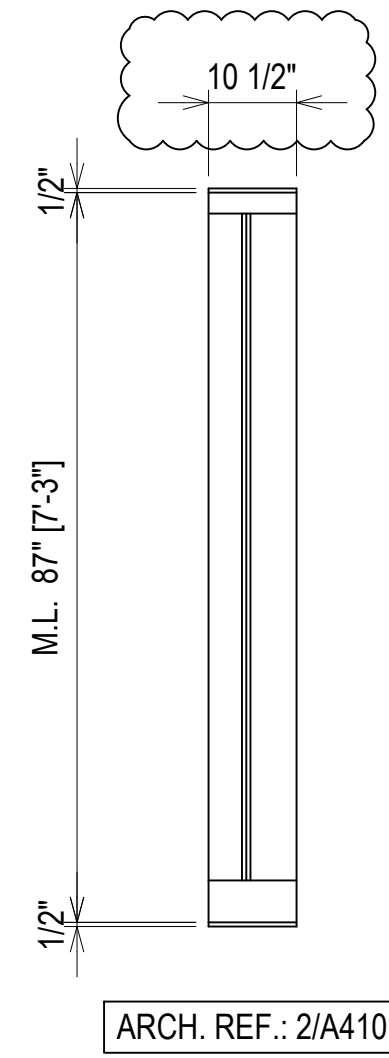
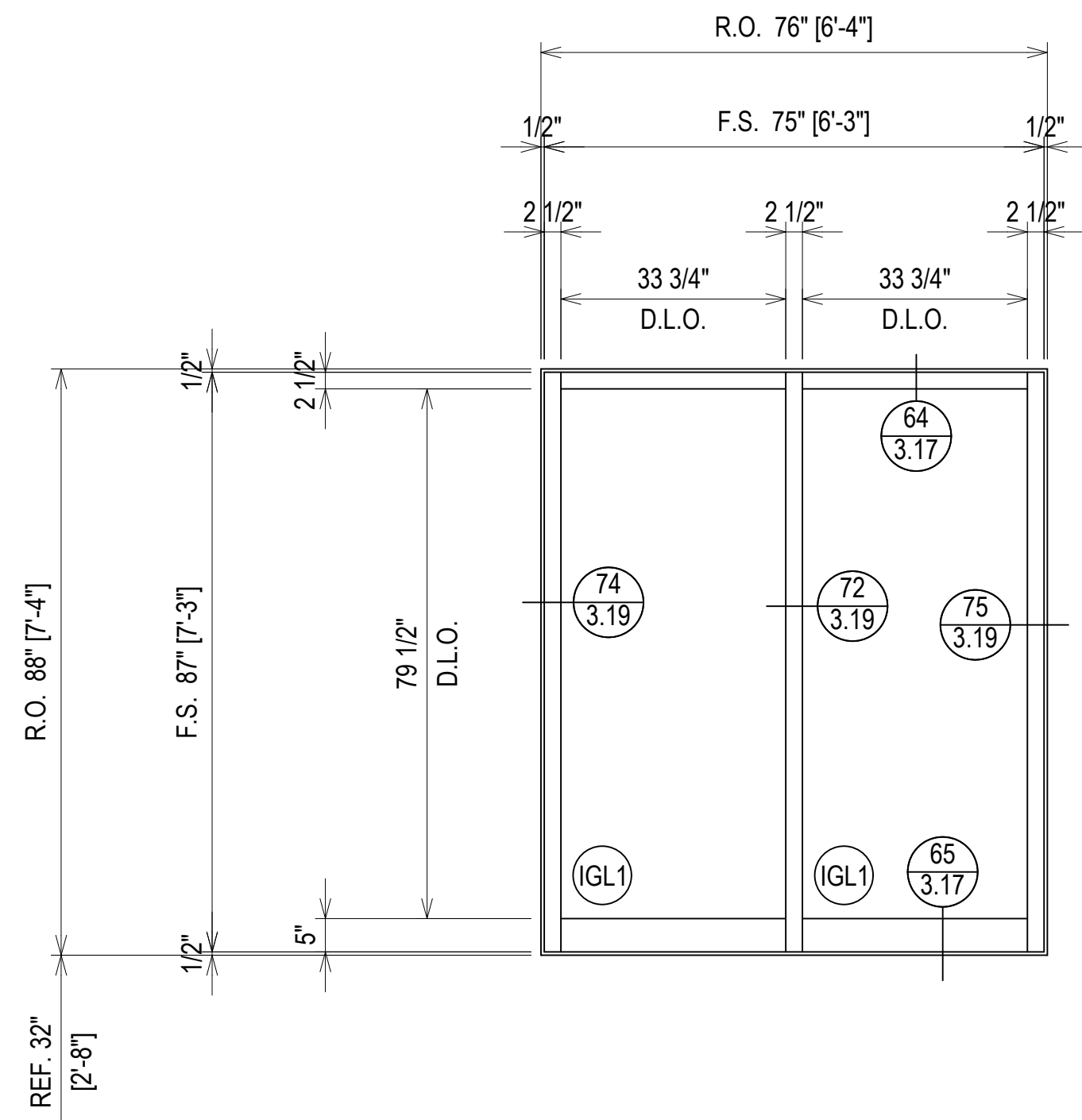
ELEVATION CW15
 SCALE: 1/2" = 1'-0"
 KAWNEER 1600 UT - 2 1/2" X 7 1/2"
 EXTERIOR CURTAINWALL
 1" INSULATED GLASS (FRONT SET)
 QUANTITY: 1

FIRST FLOOR
193'-6"

FIRST FLOOR
193'-6"

FIRST FLOOR
193'-6"

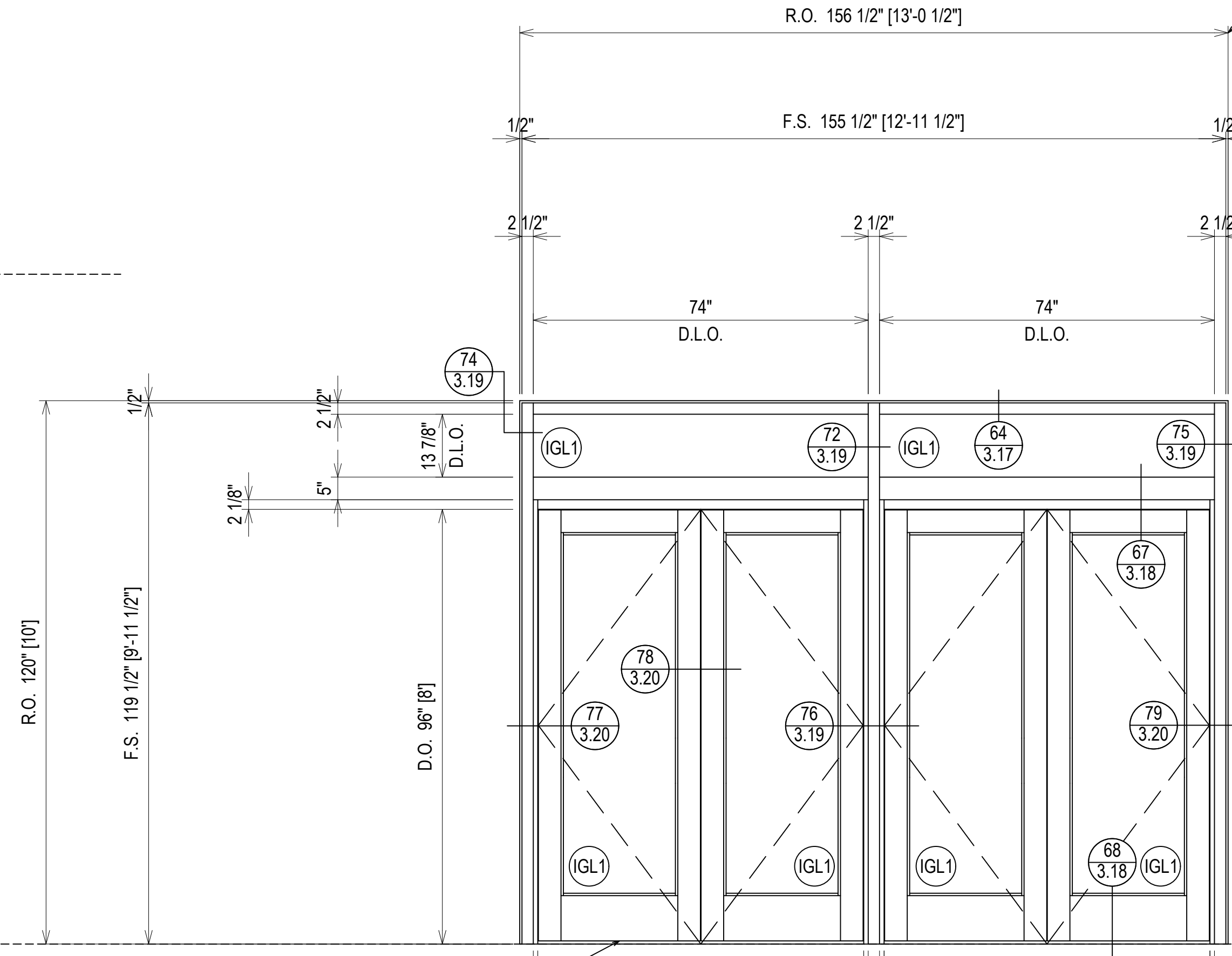
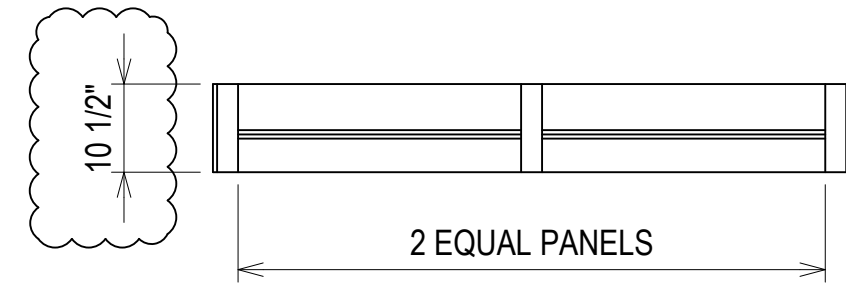
FIRST FLOOR
193'-6"



ARCH. REF.: 2/A410

FIRST FLOOR
193'-6"

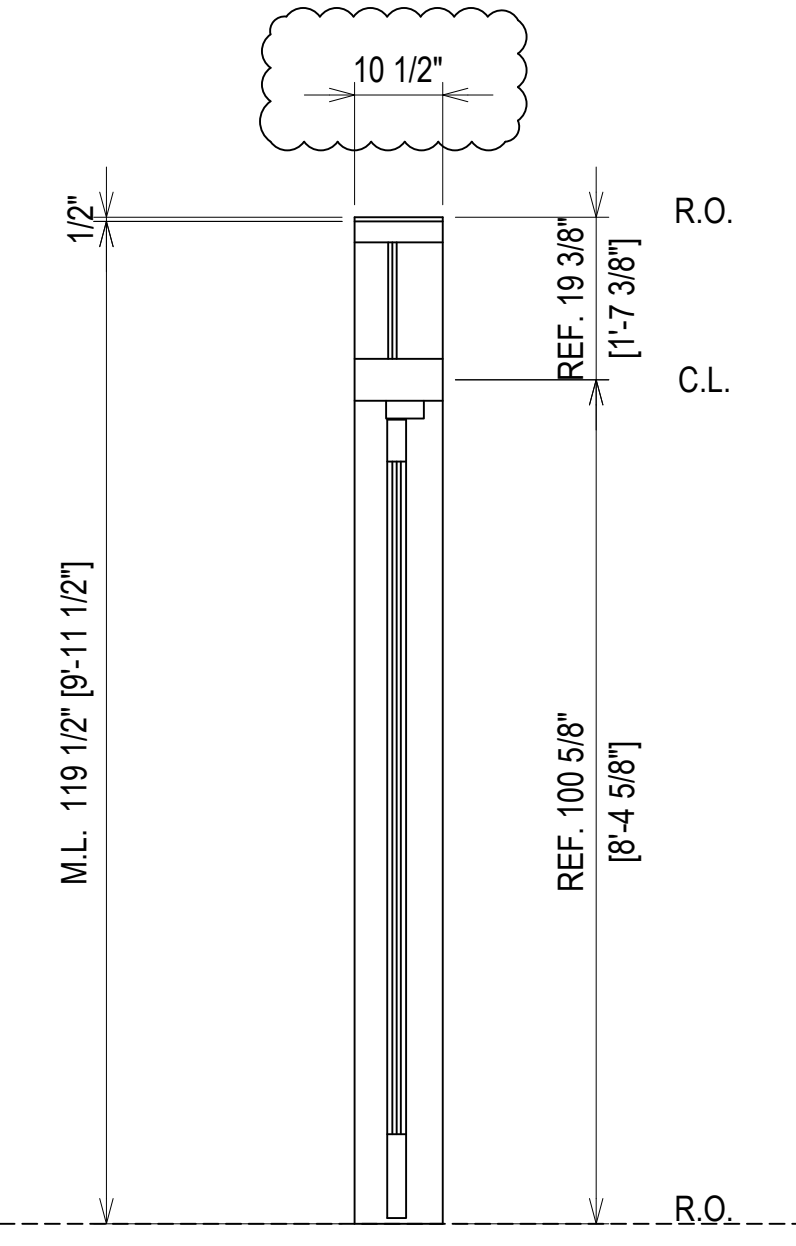
ELEVATION CW16
SCALE: 1/2" = 1'-0"
KAWNEER 1600 UT - 2 1/2" X 7 1/2"
EXTERIOR CURTAINWALL
1" INSULATED GLASS (FRONT SET)
QUANTITY: 2



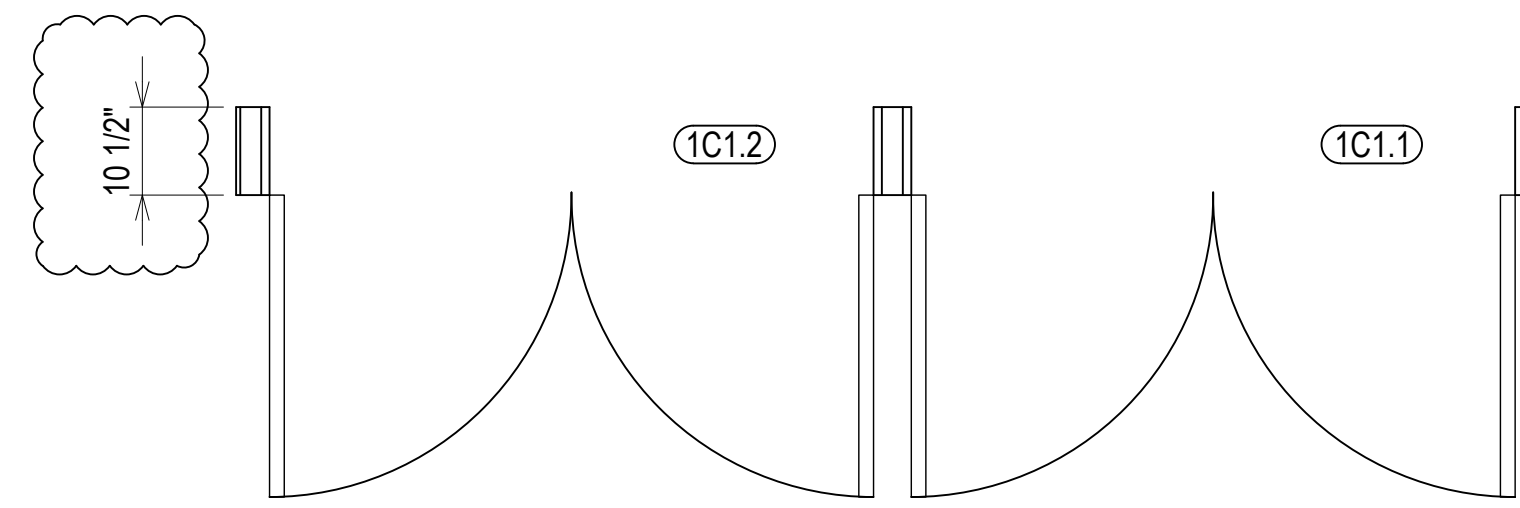
GC: PLEASE COORDINATE THE ROUGH OPENINGS TO THESE SHOP DRAWINGS. PRE MANUFACTURED DOORS DO NOT ALLOW FOR ADJUSTMENT AFTER FABRICATION.

FIRST FLOOR
193'-6"

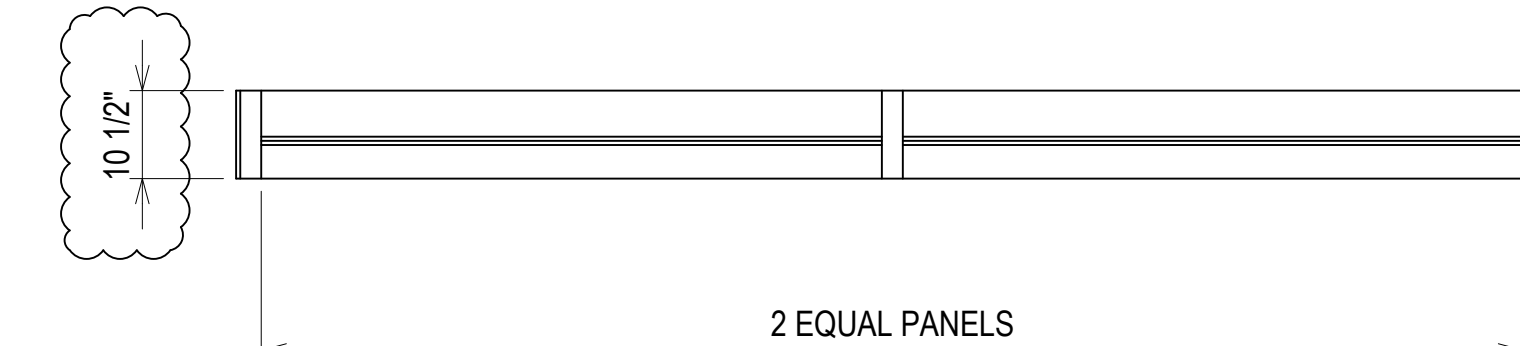
4 COORDINATE THRESHOLD PRODUCT TO CONCEAL COMPRESSIBLE FILLER AND PROVIDE POSITIVE DRAINAGE AWAY FROM DOOR OPENING.



ARCH. REF.: 1/A410



ELEVATION CW17
SCALE: 1/2" = 1'-0"
KAWNEER 1600 UT - 2 1/2" X 7 1/2"
EXTERIOR CURTAINWALL
1" INSULATED GLASS (FRONT SET)
QUANTITY: 1

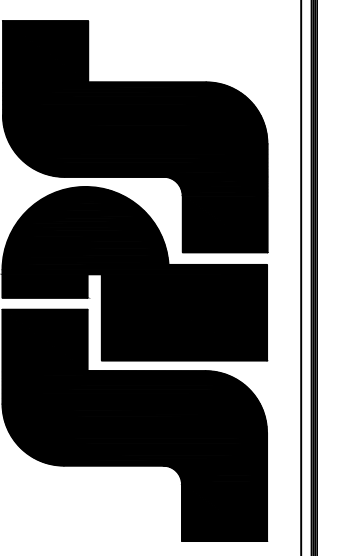


ERECTOR / G.C. NOTE:
PLEASE FIELD VERIFY ALL DIMENSIONS

REVISIONS	BY
△	5/19/21 CW
△	6/8/21 CW
△	6/15/21 CW
△	8/6/21 CW
△	8/26/21 CW
△	9/16/21 CW

VCU MONROE PARK CAMPUS STEM FACILITY
RICHMOND, VIRGINIA
ARCHITECT: BALLINGER
CUSTOMER: SPS CORPORATION

SPS Corporation
Fort Wayne, Indiana Raleigh, North Carolina
Indianapolis, Indiana Charlotte, North Carolina

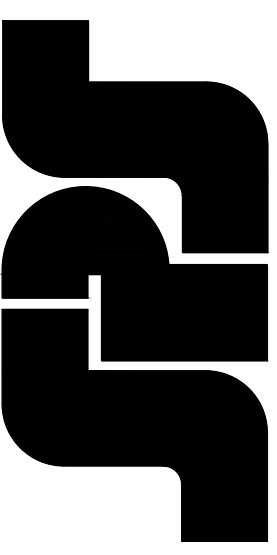


Drawn By	DJ
Date Drawn	2/4/21
Checked By	LW
Date Checked	2/4/21
Scale	AS NOTED
File No.	xxxx-xx
Job Name	VCU STERN
SHEET	

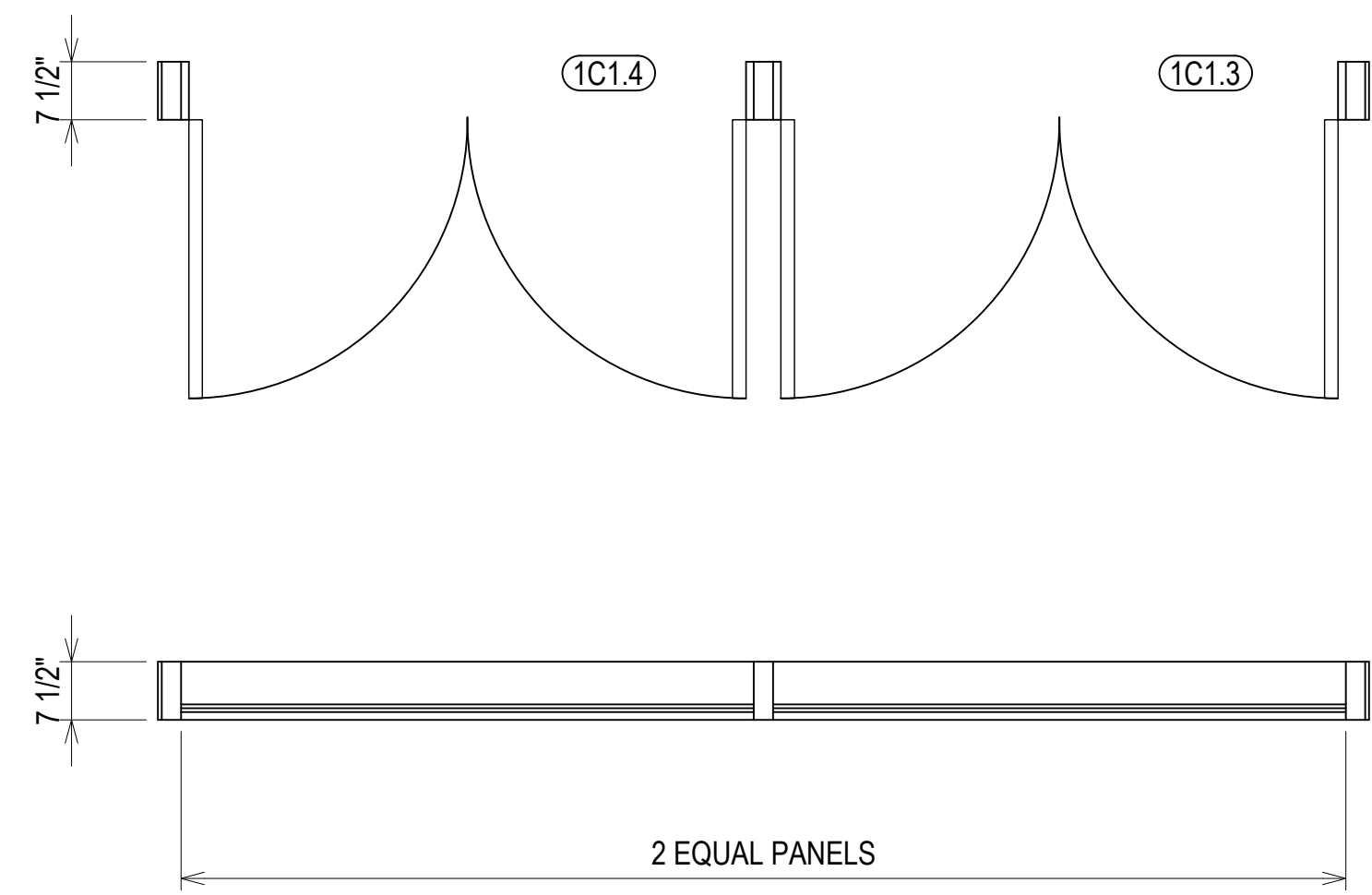
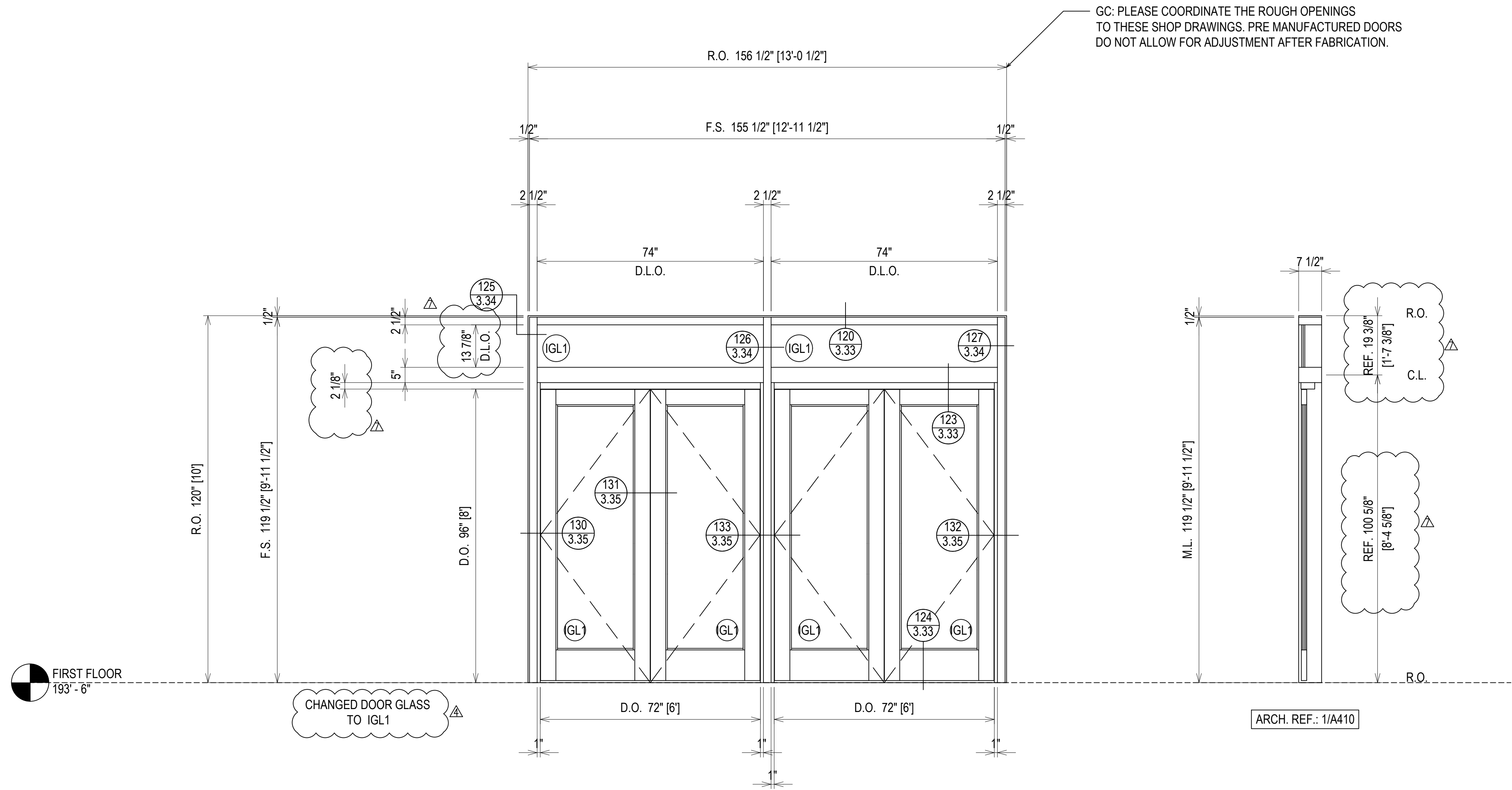
REVISIONS	BY
△	5/19/21 CW
△	6/8/21 CW
△	6/15/21 CW
△	8/6/21 CW
△	8/26/21 CW
△	9/16/21 CW

VCU MONROE PARK CAMPUS STEM FACILITY
 RICHMOND, VIRGINIA
 ARCHITECT: BALLINGER
 CUSTOMER: SPS CORPORATION

SPS Corporation
 Fort Wayne, Indiana Raleigh, North Carolina
 Indianapolis, Indiana Charlotte, North Carolina



Drawn By	DJ
Date Drawn	2/4/21
Checked By	LW
Date Checked	2/4/21
Scale	AS NOTED
File No.	xxxx-xx
Job Name	VCU STERN
SHEET	



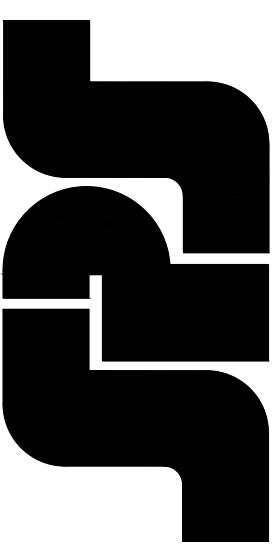
ELEVATION CW17A
 SCALE: 1/2" = 1'-0"
 KAWNEER 1600 UT - 2 1/2" X 7 1/2"
 INTERIOR CURTAINWALL
 1" INSULATED GLASS (FRONT SET)
 QUANTITY: 1

ERECTOR / G.C. NOTE:
 PLEASE FIELD VERIFY ALL DIMENSIONS

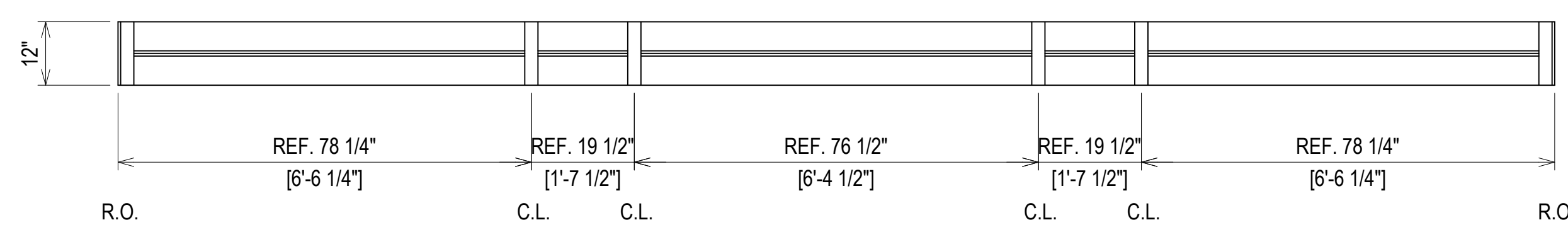
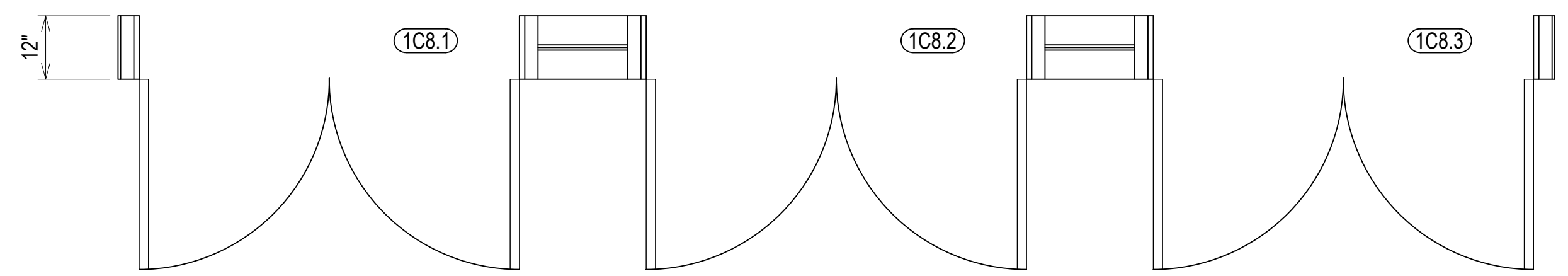
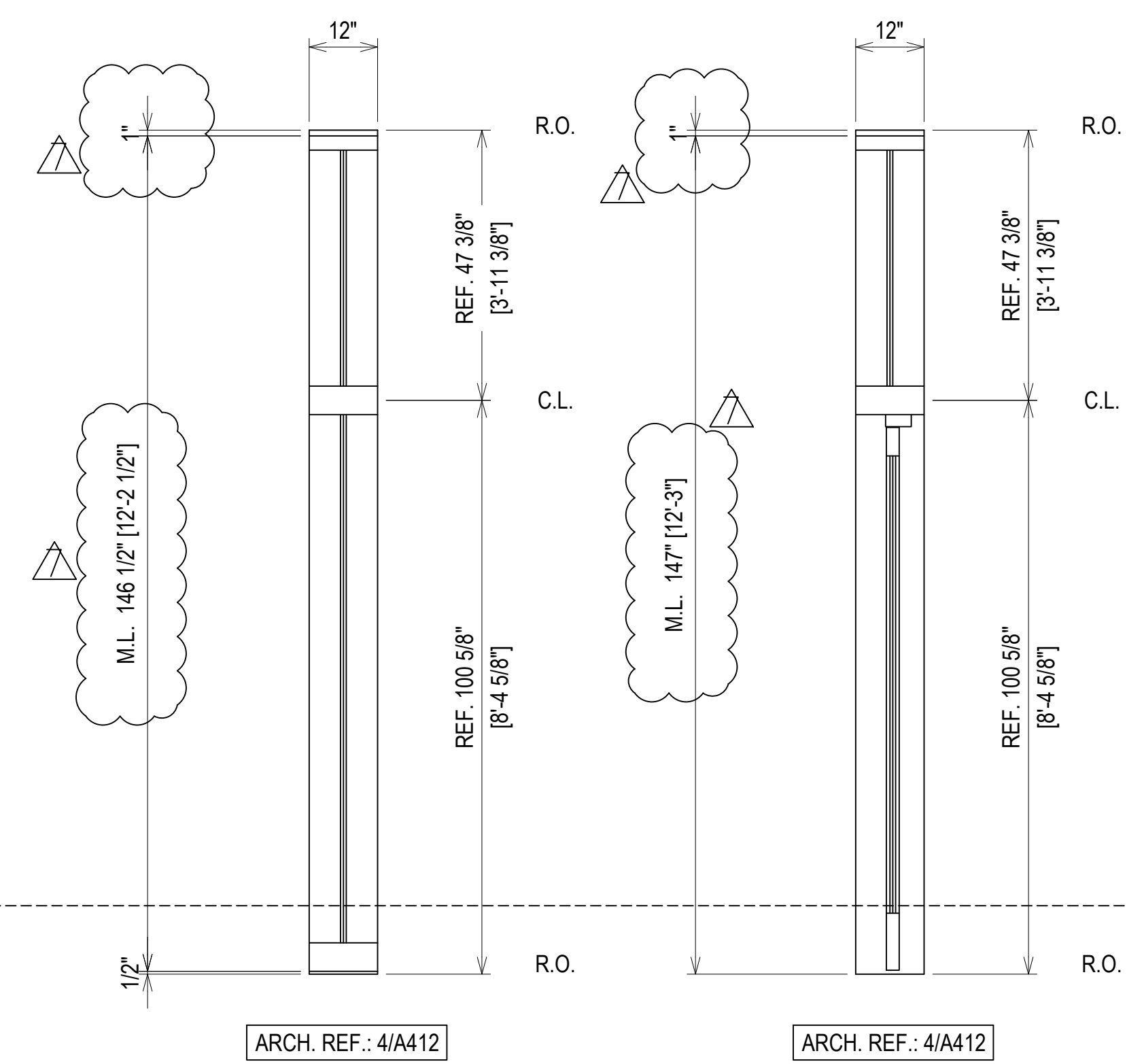
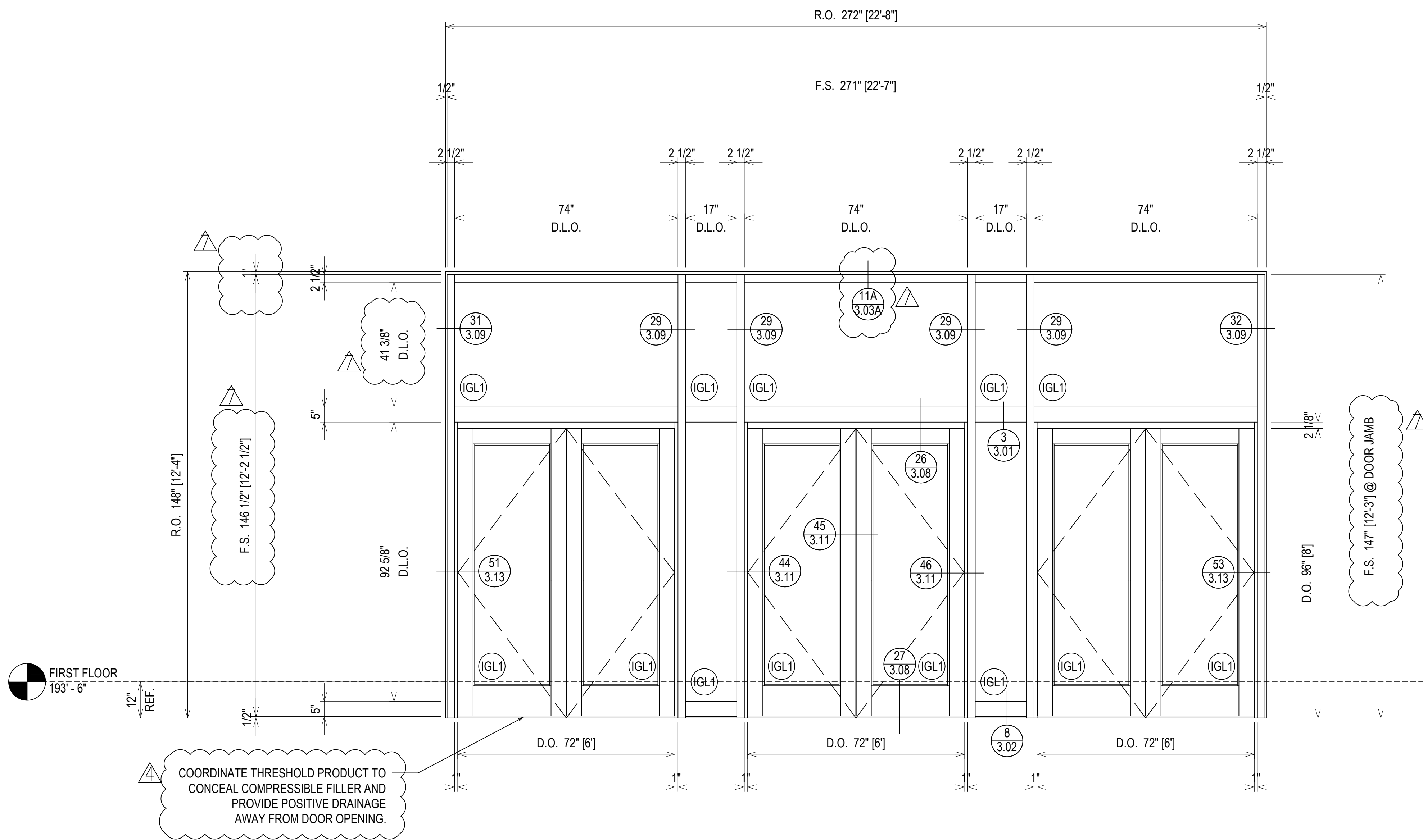
REVISIONS	BY
△	5/19/21 CW
△	6/8/21 CW
△	6/15/21 CW
△	8/6/21 CW
△	8/26/21 CW
△	9/16/21 CW

VCU MONROE PARK CAMPUS STEM FACILITY
 RICHMOND, VIRGINIA
 ARCHITECT: BALLINGER
 CUSTOMER: SPS CORPORATION

SPS Corporation
 Fort Wayne, Indiana Raleigh, North Carolina
 Indianapolis, Indiana Charlotte, North Carolina

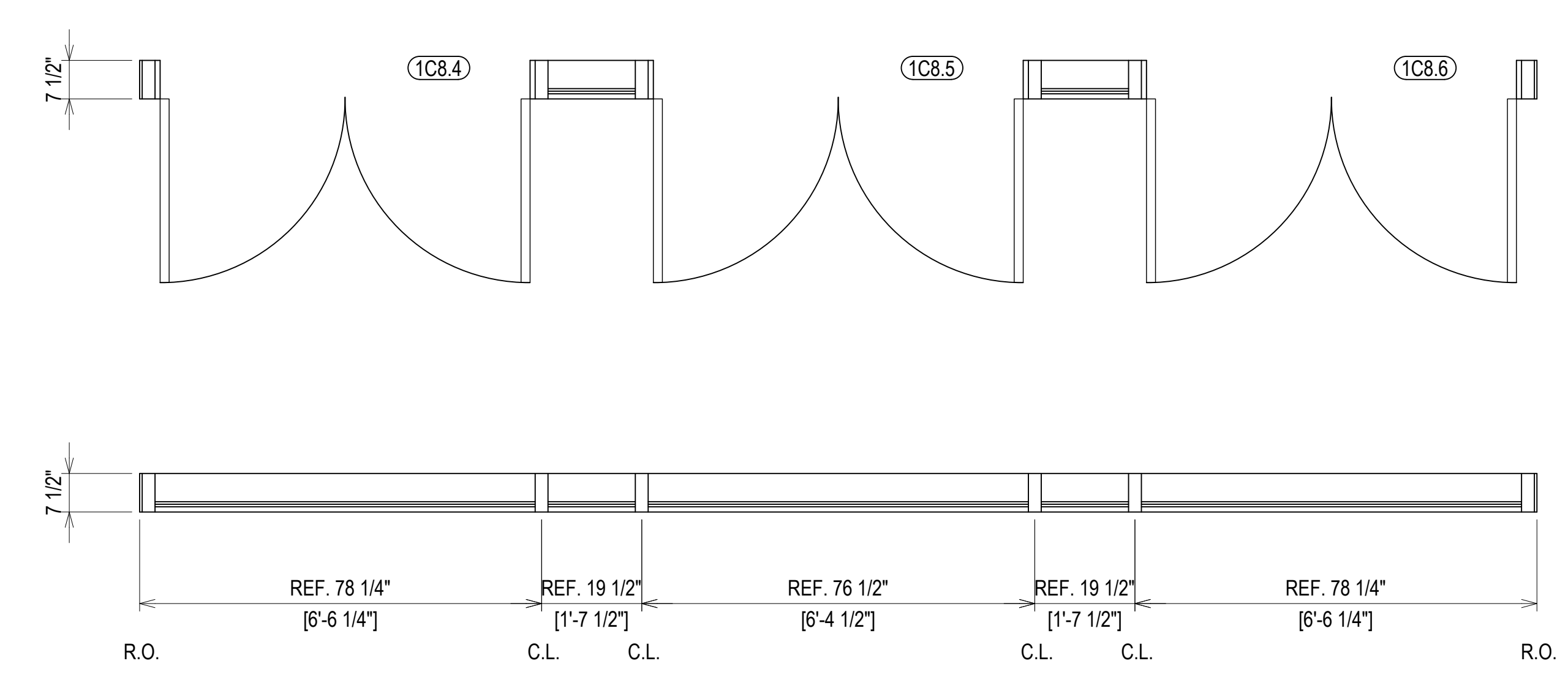
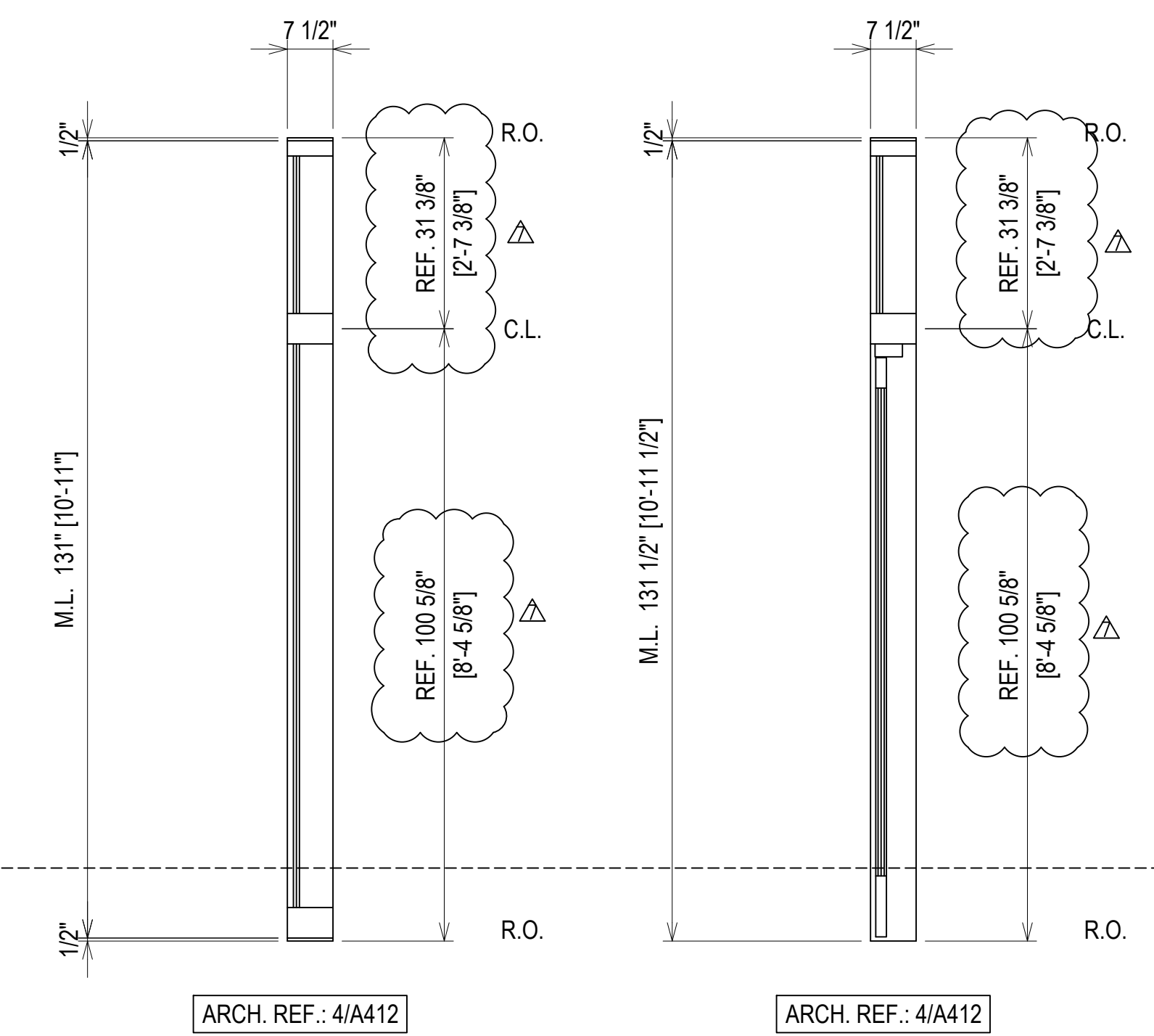
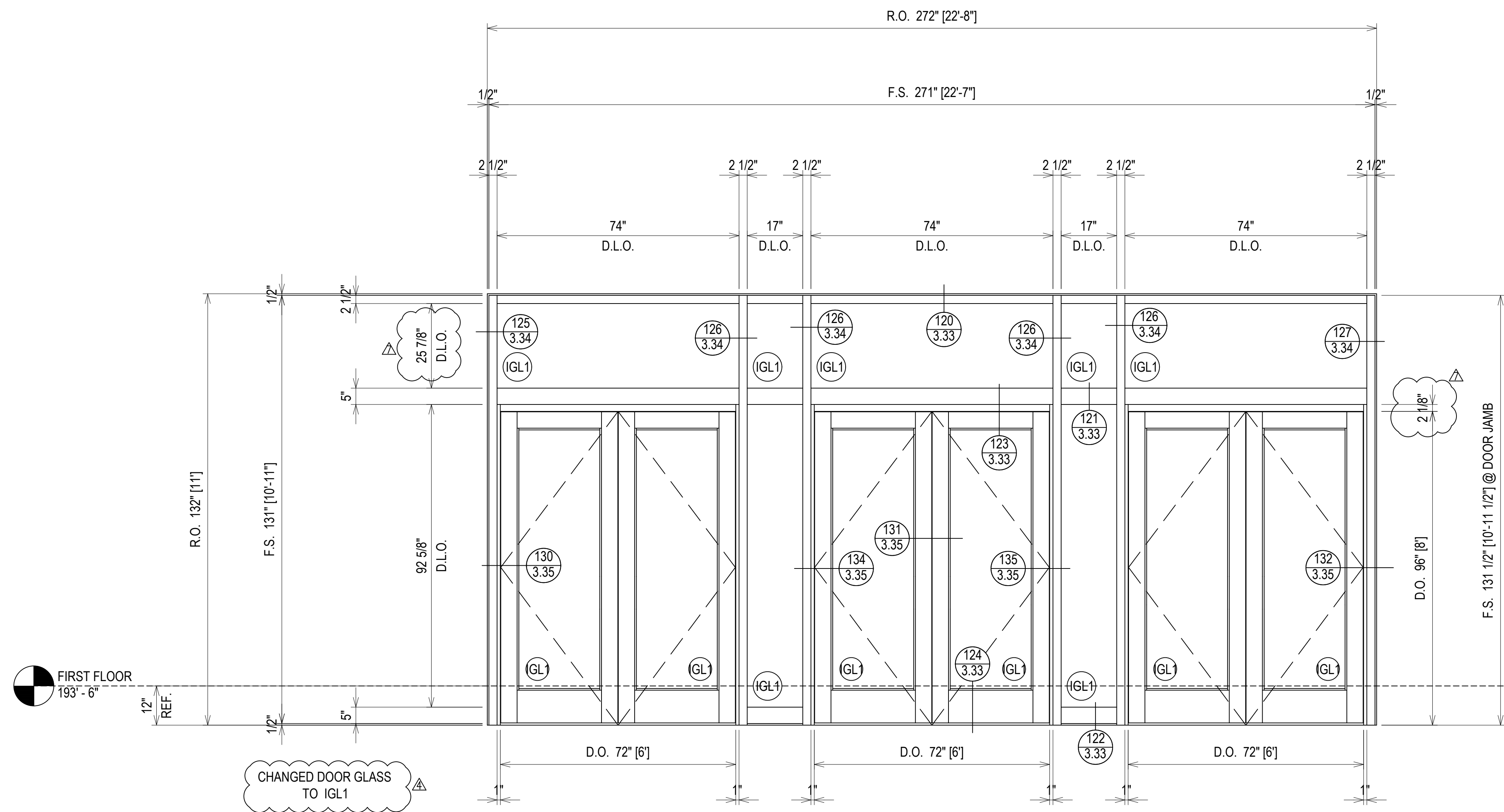


Drawn By	DJ
Date Drawn	2/4/21
Checked By	LW
Date Checked	2/4/21
Scale	AS NOTED
File No.	xxxx-xx
Job Name	VCU STERN
SHEET	



ELEVATION CW18
 SCALE: 1/2" = 1'-0"
 KAWNEER 1600 UT - 2 1/2" X 7 1/2"
 EXTERIOR CURTAINWALL
 1" INSULATED GLASS (FRONT SET)
 QUANTITY: 1

ERECTOR / G.C. NOTE:
 PLEASE FIELD VERIFY ALL DIMENSIONS



ELEVATION CW18A
 SCALE: 1/2" = 1'-0"
 KAWNEER 1600 UT - 2 1/2" X 7 1/2"
 INTERIOR CURTAINWALL
 1" INSULATED GLASS (FRONT SET)
 QUANTITY: 1

ERECTOR / G.C. NOTE:
 PLEASE FIELD VERIFY ALL DIMENSIONS

REVISIONS	BY
△	5/19/21 CW
△	6/8/21 CW
△	6/15/21 CW
△	8/6/21 CW
△	8/26/21 CW
△	9/16/21 CW

VCU MONROE PARK CAMPUS STEM FACILITY
 RICHMOND, VIRGINIA
 ARCHITECT: BALLINGER
 CUSTOMER: SPS CORPORATION

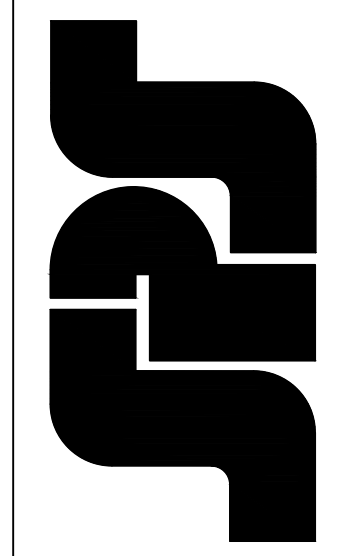
SPS Corporation
 Fort Wayne, Indiana Raleigh, North Carolina
 Indianapolis, Indiana Charlotte, North Carolina

Drawn By	DJ
Date Drawn	2/4/21
Checked By	LW
Date Checked	2/4/21
Scale	AS NOTED
File No.	xxxx-xx
Job Name	VCU STERN
SHEET	

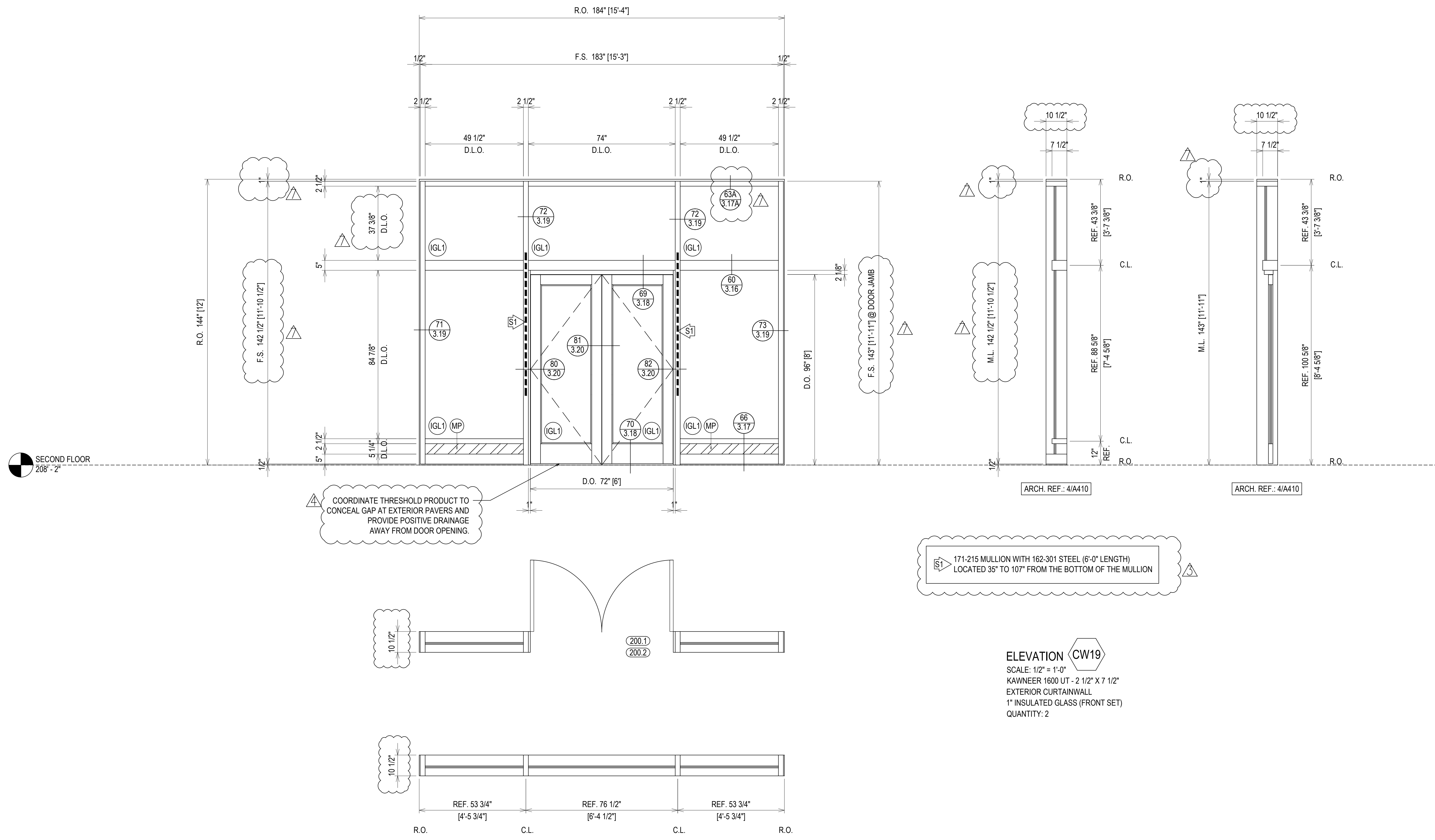
REVISIONS	BY
△	5/19/21 CW
△	6/8/21 CW
△	6/15/21 CW
△	8/6/21 CW
△	8/26/21 CW
△	9/16/21 CW

VCU MONROE PARK CAMPUS STEM FACILITY
 RICHMOND, VIRGINIA
 ARCHITECT: BALLINGER
 CUSTOMER: SPS CORPORATION

SPS Corporation
 Fort Wayne, Indiana Raleigh, North Carolina
 Indianapolis, Indiana Charlotte, North Carolina



Drawn By	DJ
Date Drawn	2/4/21
Checked By	LW
Date Checked	2/4/21
Scale	AS NOTED
File No.	xxxx-xx
Job Name	VCU STERN
SHEET	



COORDINATE THRESHOLD PRODUCT TO CONCEAL GAP AT EXTERIOR PAVERS AND PROVIDE POSITIVE DRAINAGE AWAY FROM DOOR OPENING.

171-215 MULLION WITH 162-301 STEEL (6'-0" LENGTH) LOCATED 35" TO 107" FROM THE BOTTOM OF THE MULLION

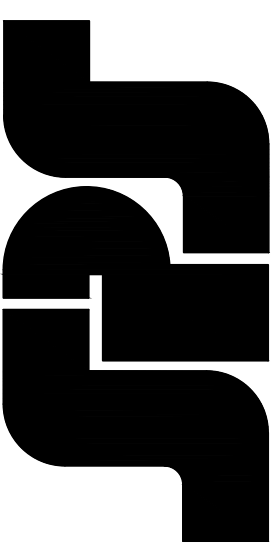
ELEVATION CW19
 SCALE: 1/2" = 1'-0"
 KAWNEER 1600 UT - 2 1/2" X 7 1/2"
 EXTERIOR CURTAINWALL
 1" INSULATED GLASS (FRONT SET)
 QUANTITY: 2

ERECTOR / G.C. NOTE:
 PLEASE FIELD VERIFY ALL DIMENSIONS

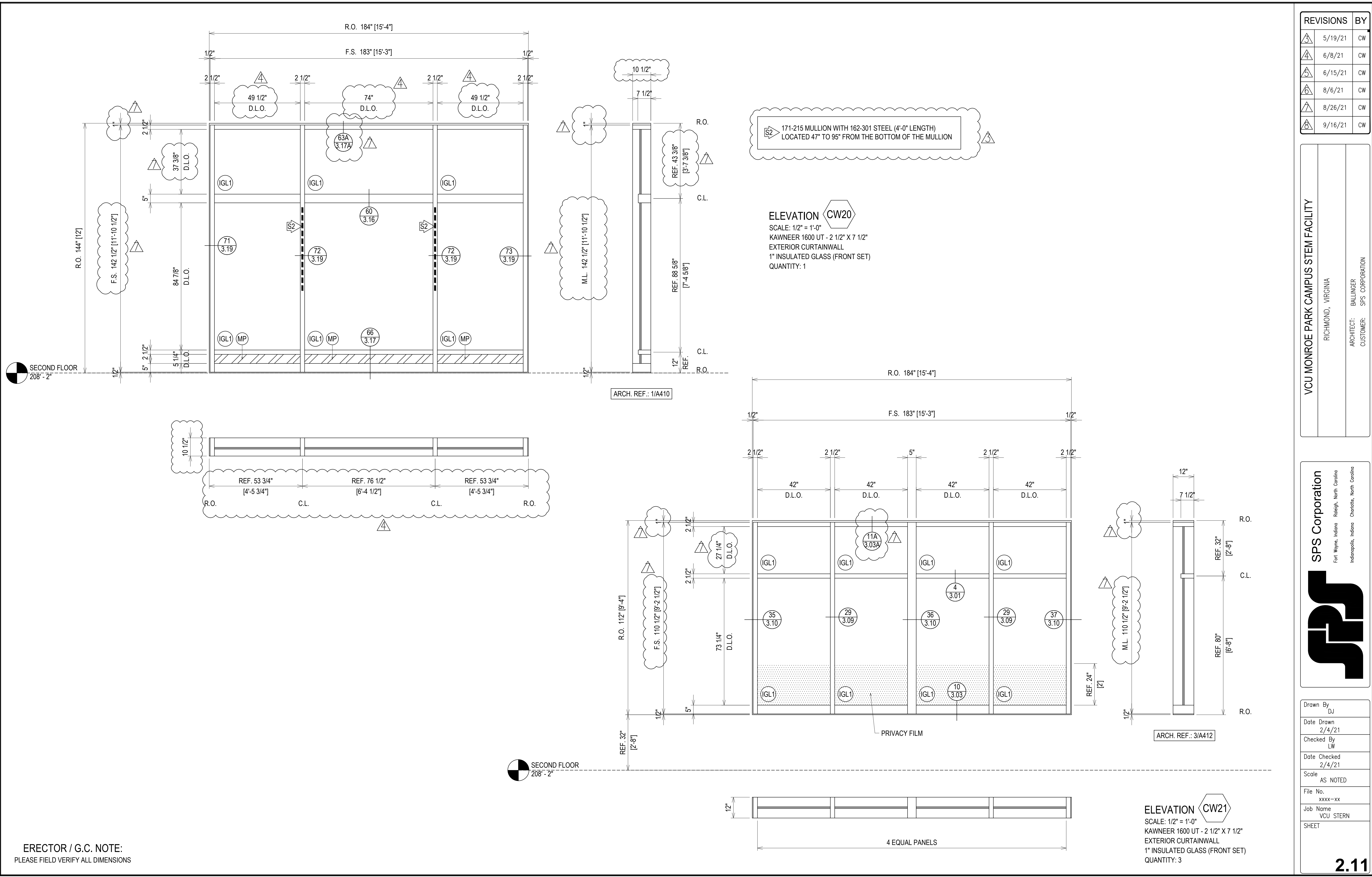
REVISIONS	BY
△	5/19/21 CW
△	6/8/21 CW
△	6/15/21 CW
△	8/6/21 CW
△	8/26/21 CW
△	9/16/21 CW

VCU MONROE PARK CAMPUS STEM FACILITY
 RICHMOND, VIRGINIA
 ARCHITECT: BALLINGER
 CUSTOMER: SPS CORPORATION

SPS Corporation
 Fort Wayne, Indiana Raleigh, North Carolina
 Indianapolis, Indiana Charlotte, North Carolina



Drawn By	DJ
Date Drawn	2/4/21
Checked By	LW
Date Checked	2/4/21
Scale	AS NOTED
File No.	xxxx-xx
Job Name	VCU STERN
SHEET	

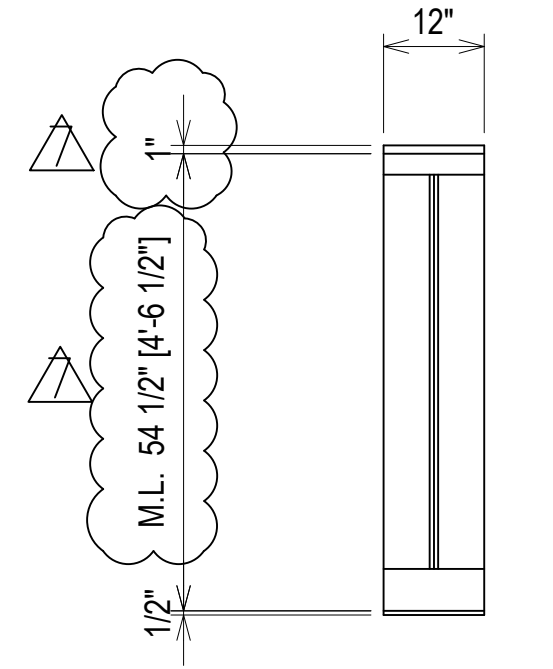
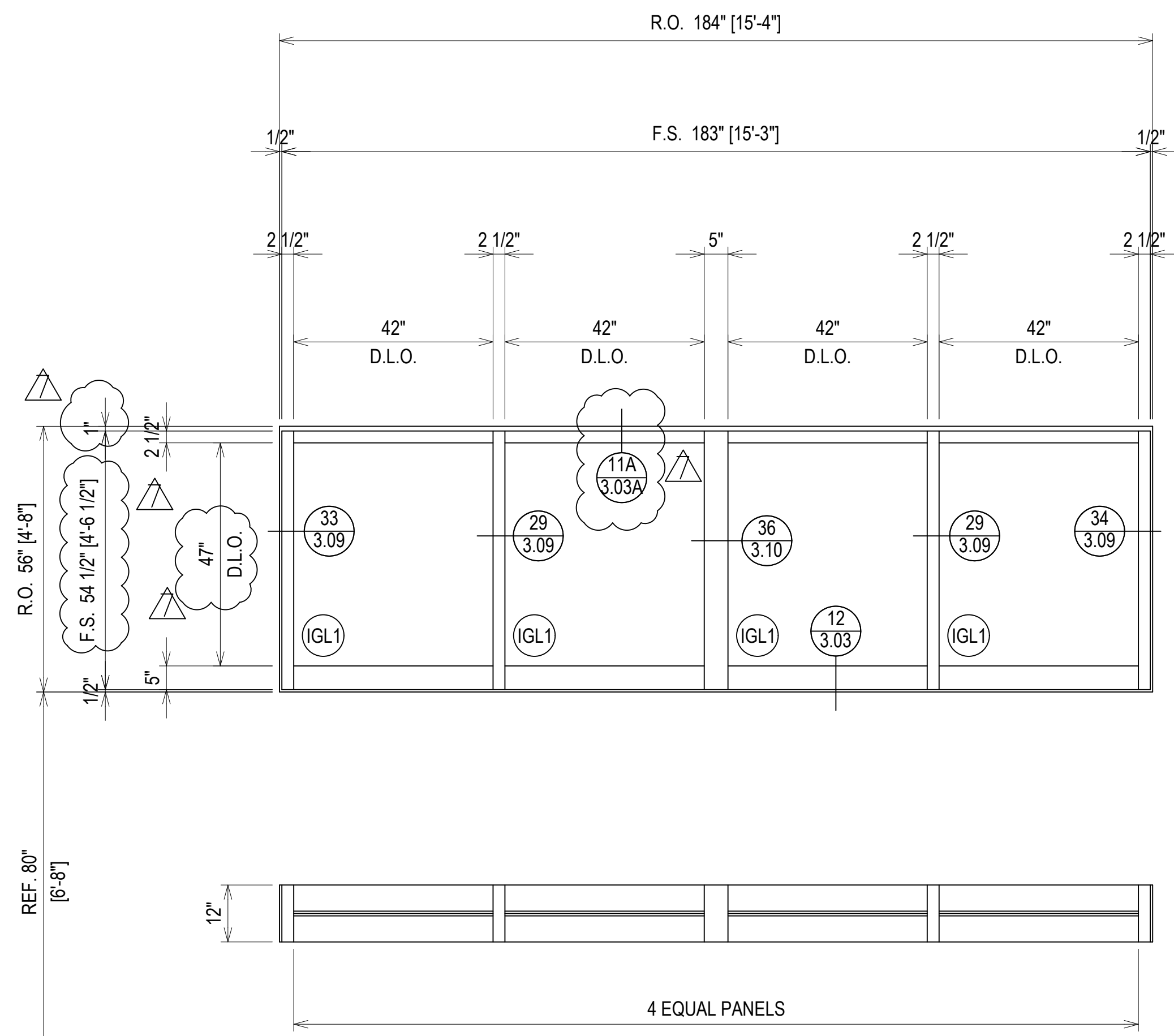


SECOND FLOOR
 208'-2"

SECOND FLOOR
 208'-2"

ERECTOR / G.C. NOTE:
 PLEASE FIELD VERIFY ALL DIMENSIONS

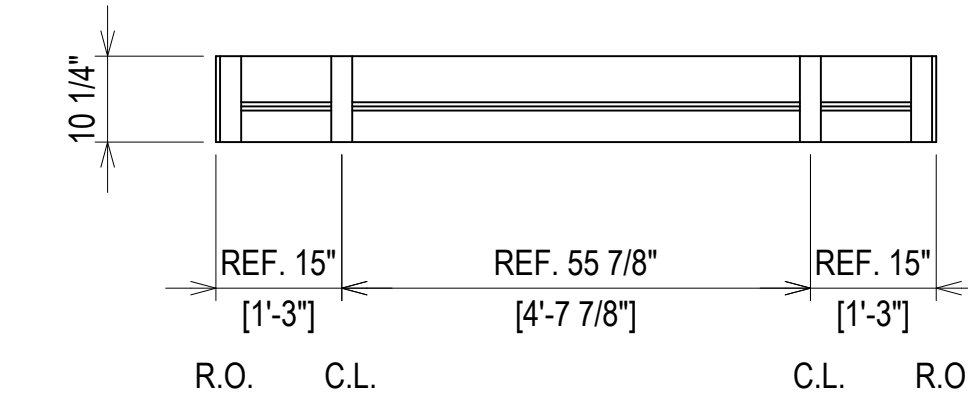
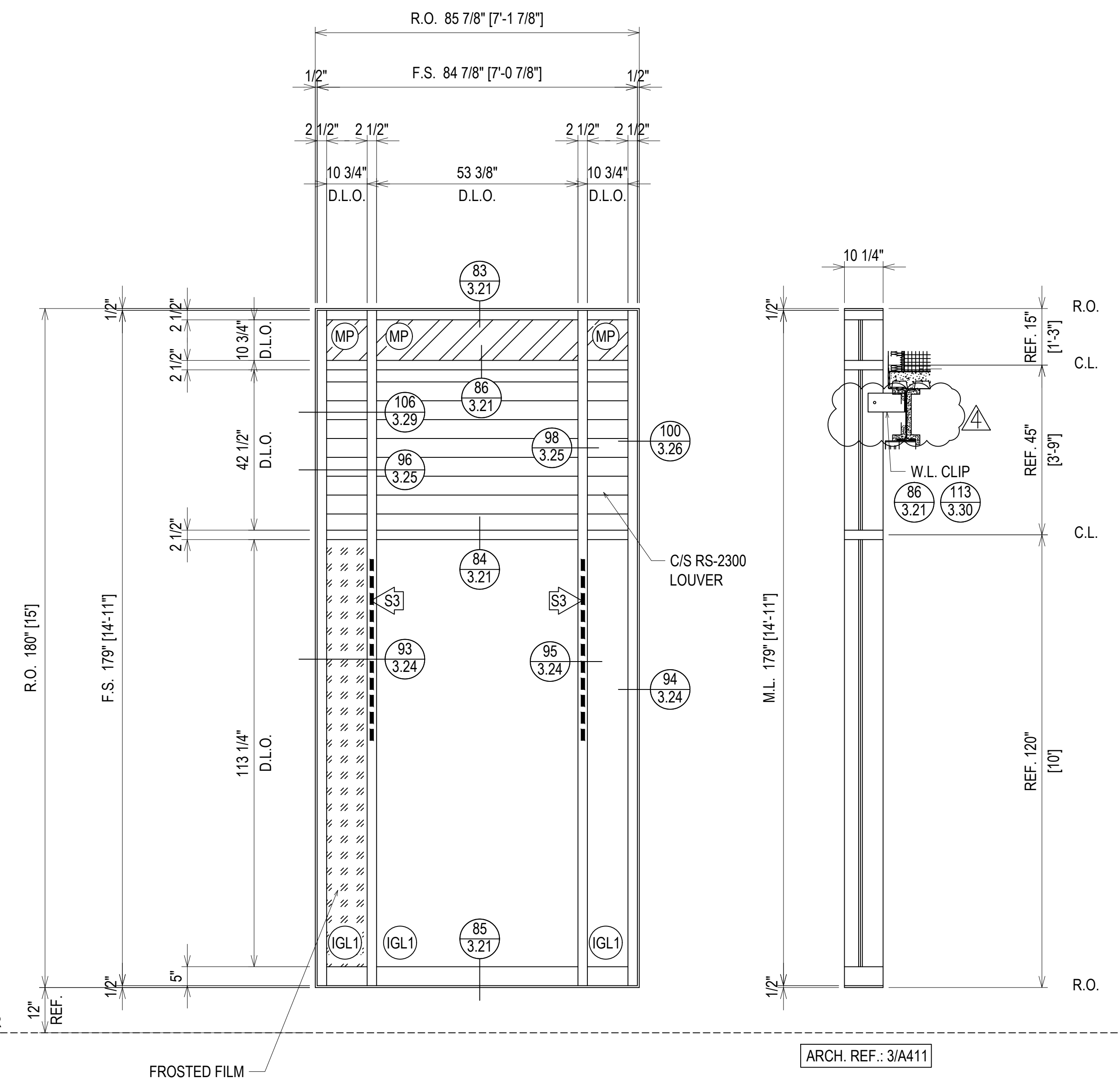
FIRST FLOOR
193'-6"



ELEVATION CW22
SCALE: 1/2" = 1'-0"
KAWNEER 1600 UT - 2 1/2" X 7 1/2"
EXTERIOR CURTAINWALL
1" INSULATED GLASS (FRONT SET)
QUANTITY: 3

171-215 MULLION WITH 162-301 STEEL (4'-0" LENGTH)
LOCATED 65" TO 113" FROM THE BOTTOM OF THE MULLION

FIRST FLOOR
193'-6"



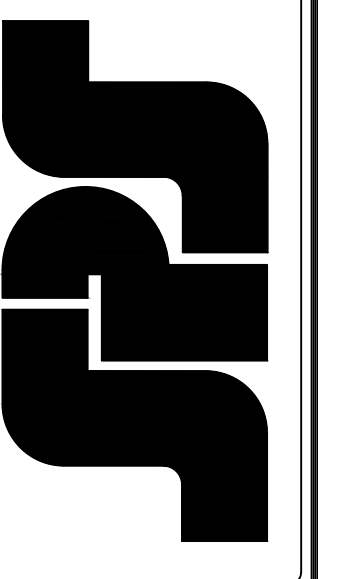
ELEVATION CW25
SCALE: 1/2" = 1'-0"
KAWNEER 1600 UT - 2 1/2" X 7 1/2"
EXTERIOR CURTAINWALL
1" INSULATED GLASS (FRONT SET)
QUANTITY: 1

REVISIONS	BY
△	5/19/21 CW
△	6/8/21 CW
△	6/15/21 CW
△	8/6/21 CW
△	8/26/21 CW
△	9/16/21 CW

VCU MONROE PARK CAMPUS STEM FACILITY

RICHMOND, VIRGINIA
ARCHITECT: BALLINGER
CUSTOMER: SPS CORPORATION

SPS Corporation
Fort Wayne, Indiana Raleigh, North Carolina
Indianapolis, Indiana Charlotte, North Carolina



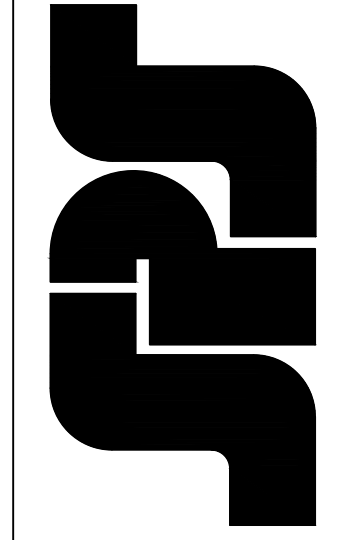
Drawn By	DJ
Date Drawn	2/4/21
Checked By	LW
Date Checked	2/4/21
Scale	AS NOTED
File No.	xxxx-xx
Job Name	VCU STERN
SHEET	

ERECTOR / G.C. NOTE:
PLEASE FIELD VERIFY ALL DIMENSIONS

REVISIONS	BY
△	5/19/21 CW
△	6/8/21 CW
△	6/15/21 CW
△	8/6/21 CW
△	8/26/21 CW
△	9/16/21 CW

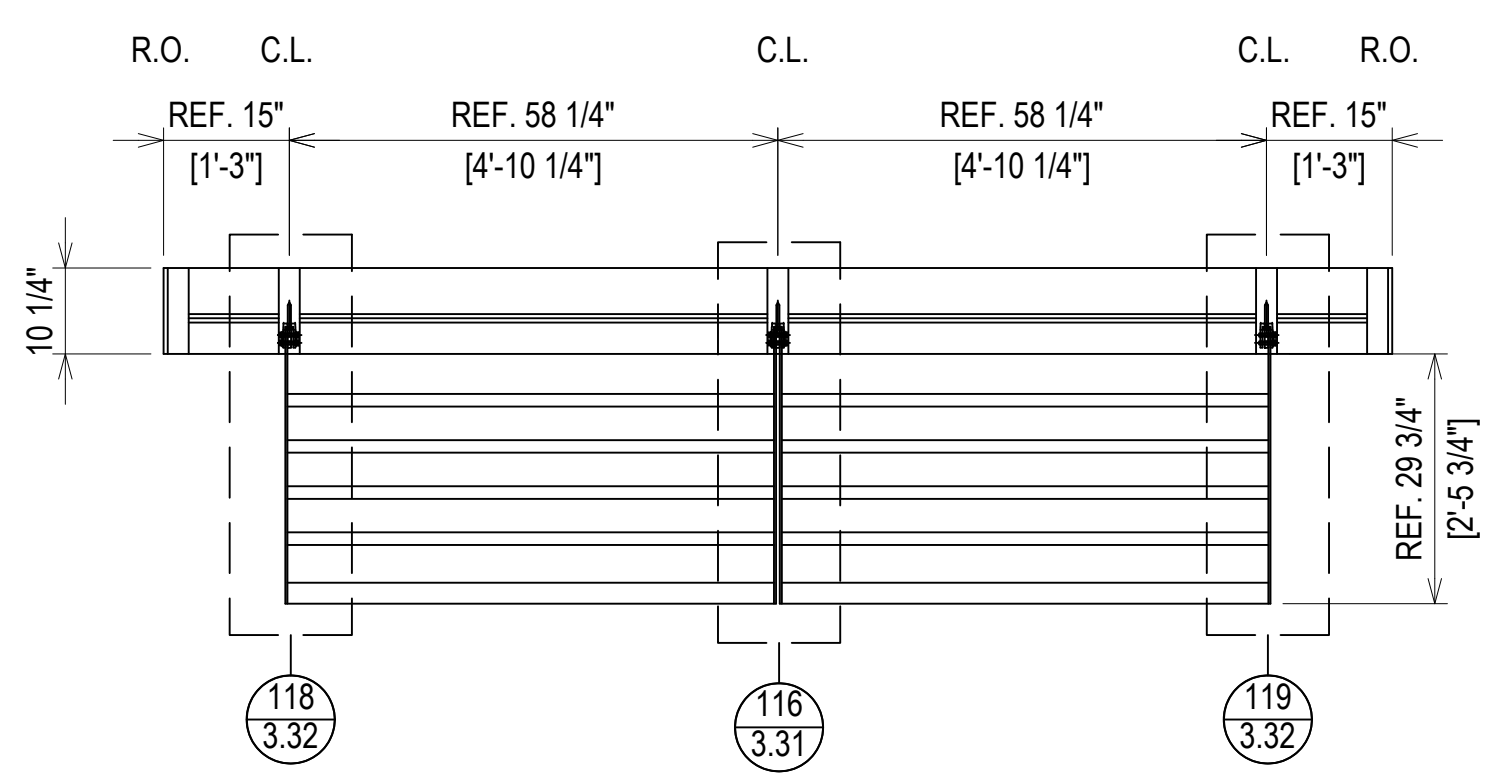
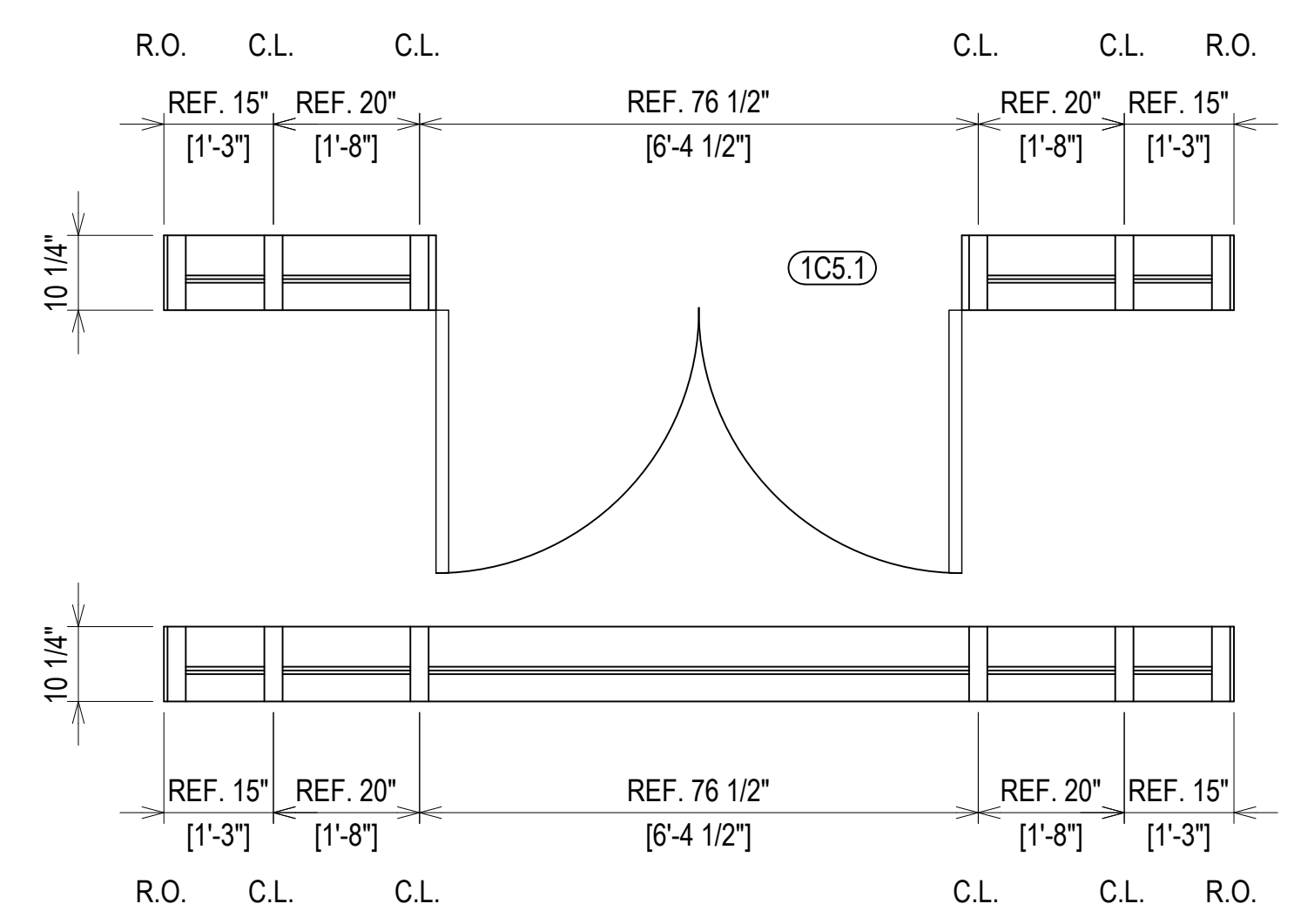
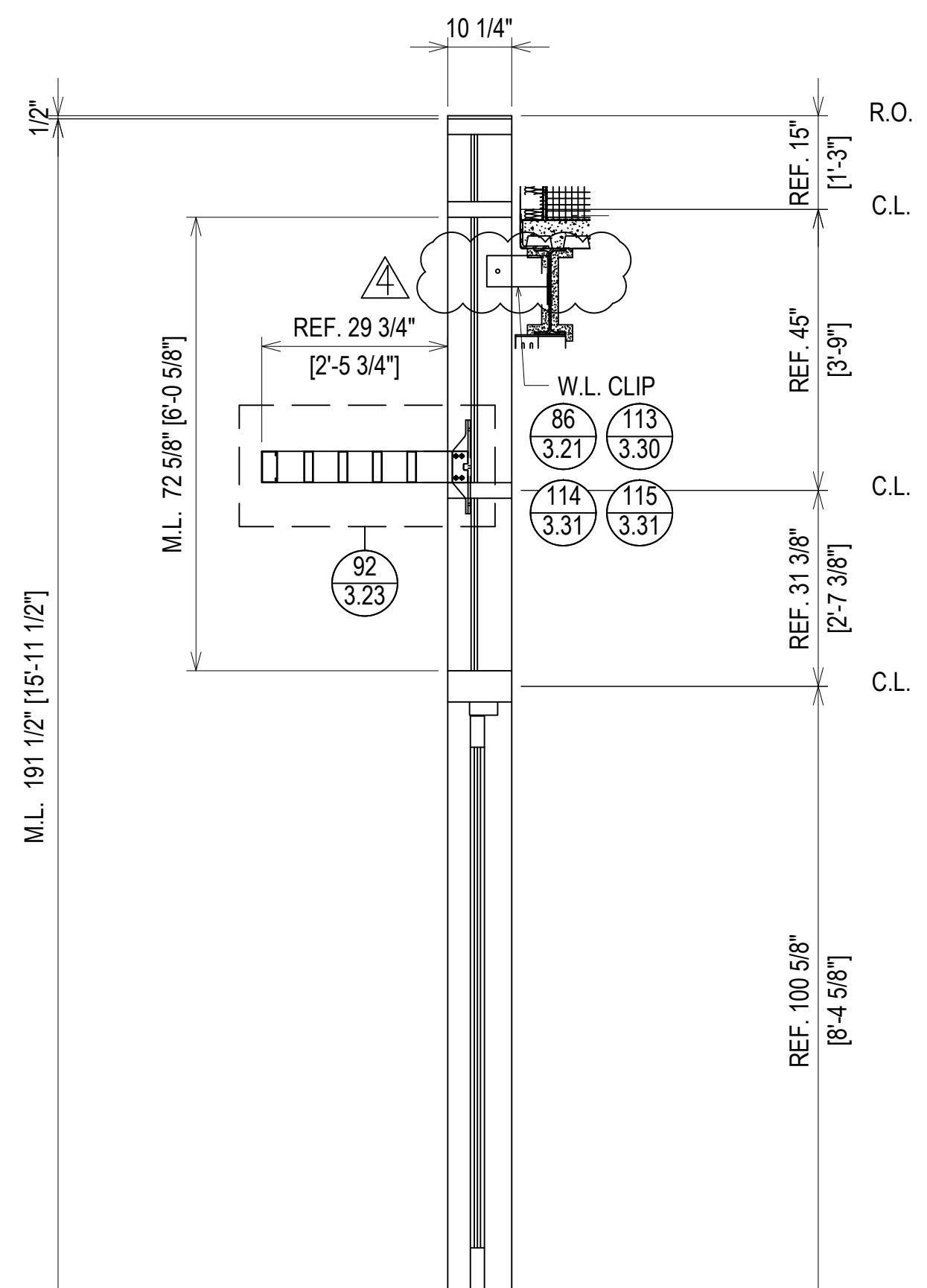
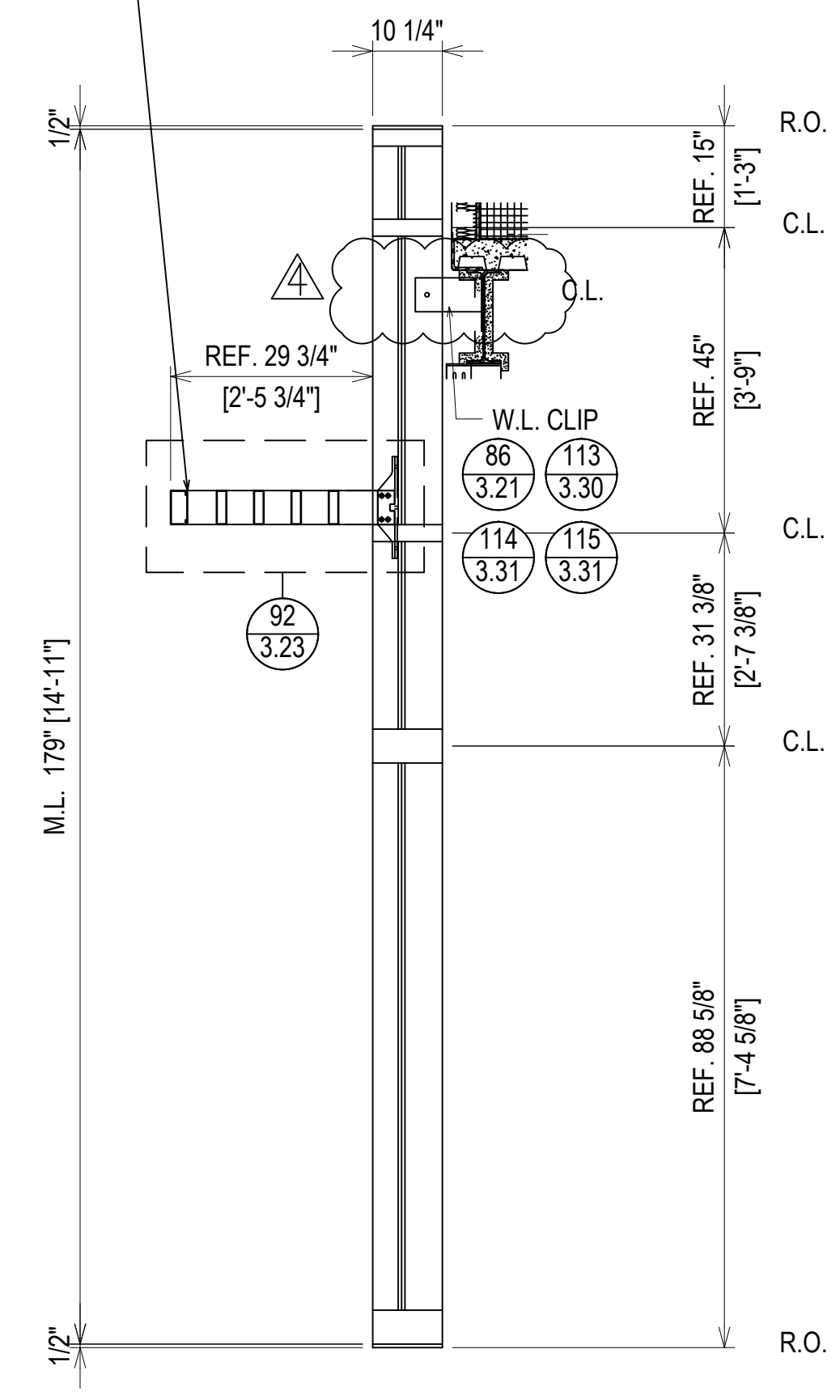
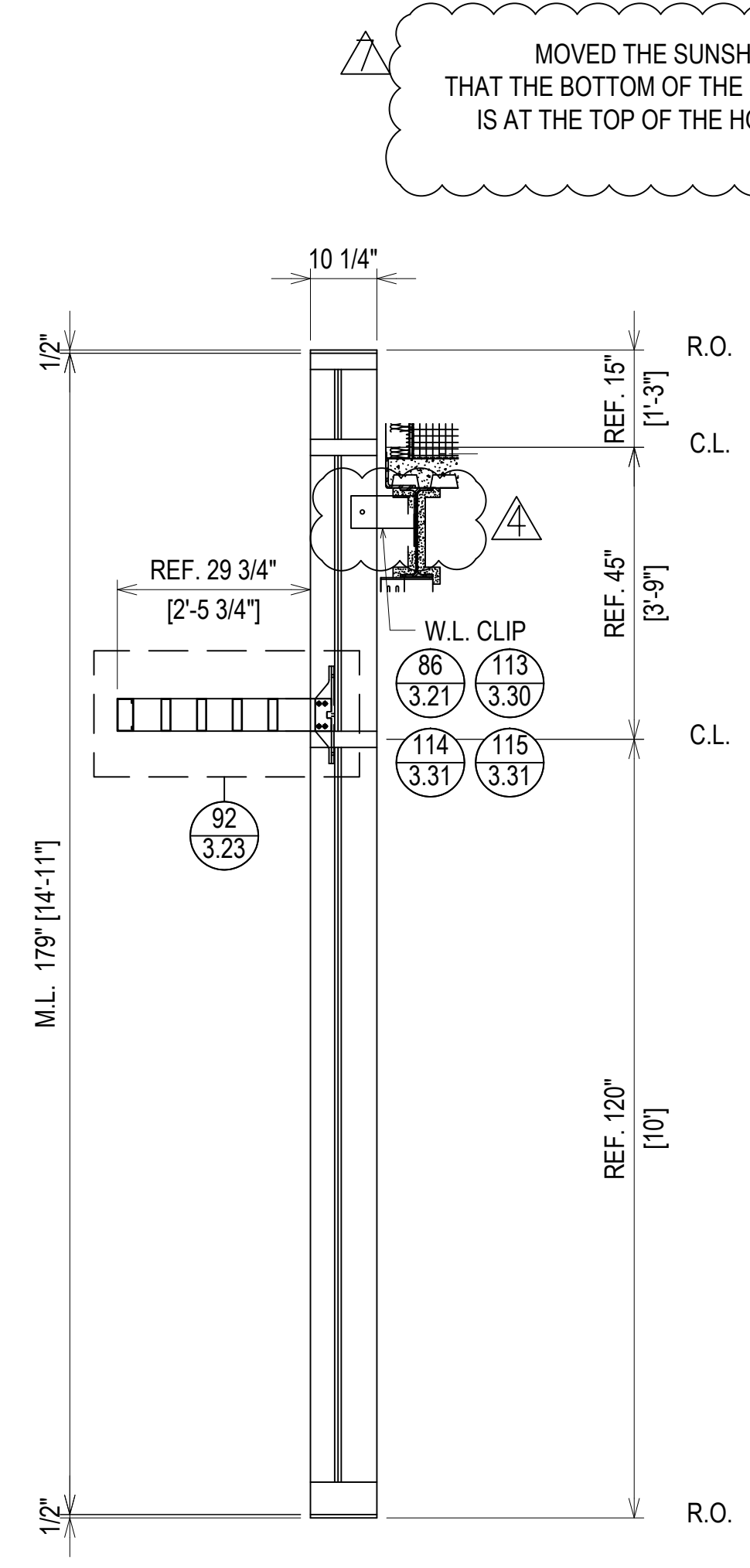
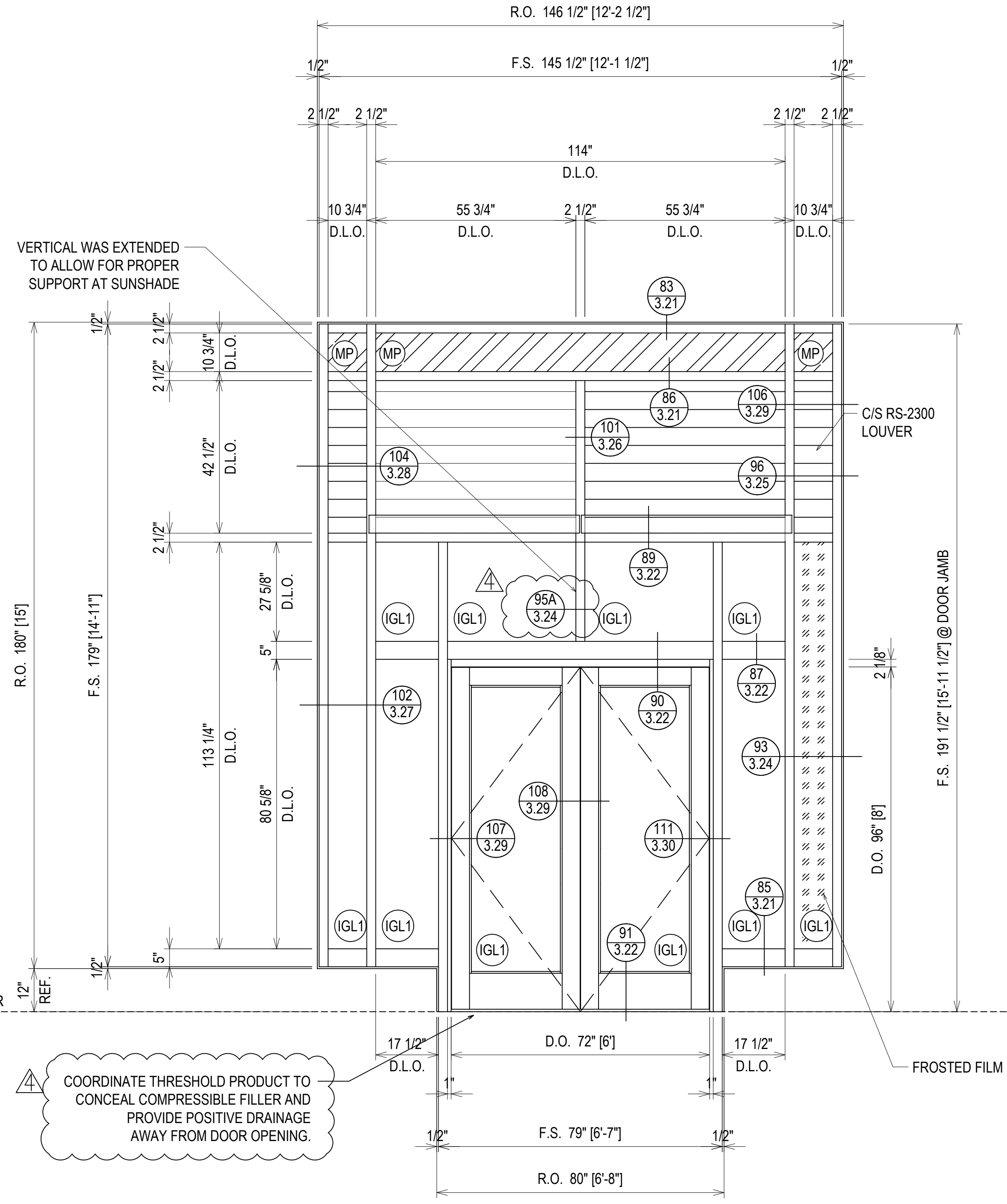
VCU MONROE PARK CAMPUS STEM FACILITY
 RICHMOND, VIRGINIA
 ARCHITECT: BALLINGER
 CUSTOMER: SPS CORPORATION

SPS Corporation
 Fort Wayne, Indiana Raleigh, North Carolina
 Indianapolis, Indiana Charlotte, North Carolina



Drawn By	DJ
Date Drawn	2/4/21
Checked By	LW
Date Checked	2/4/21
Scale	AS NOTED
File No.	xxxx-xx
Job Name	VCU STERN
SHEET	

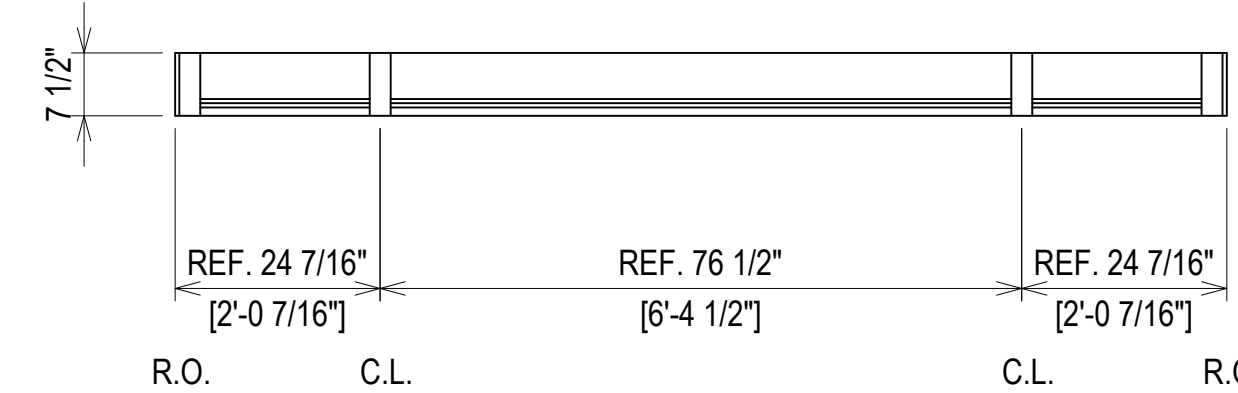
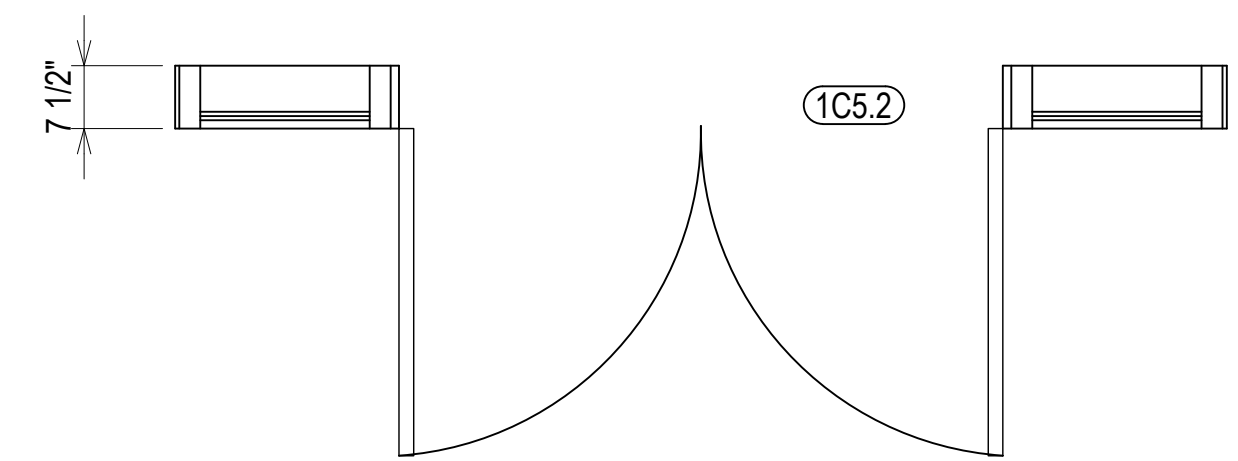
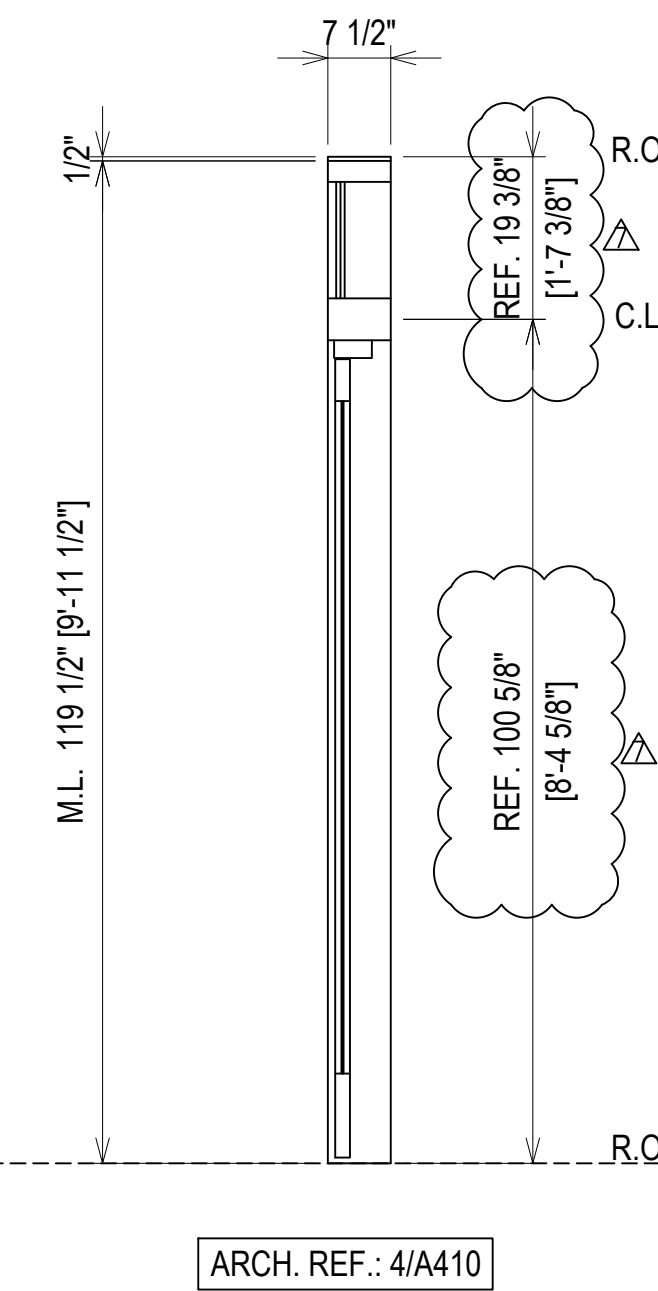
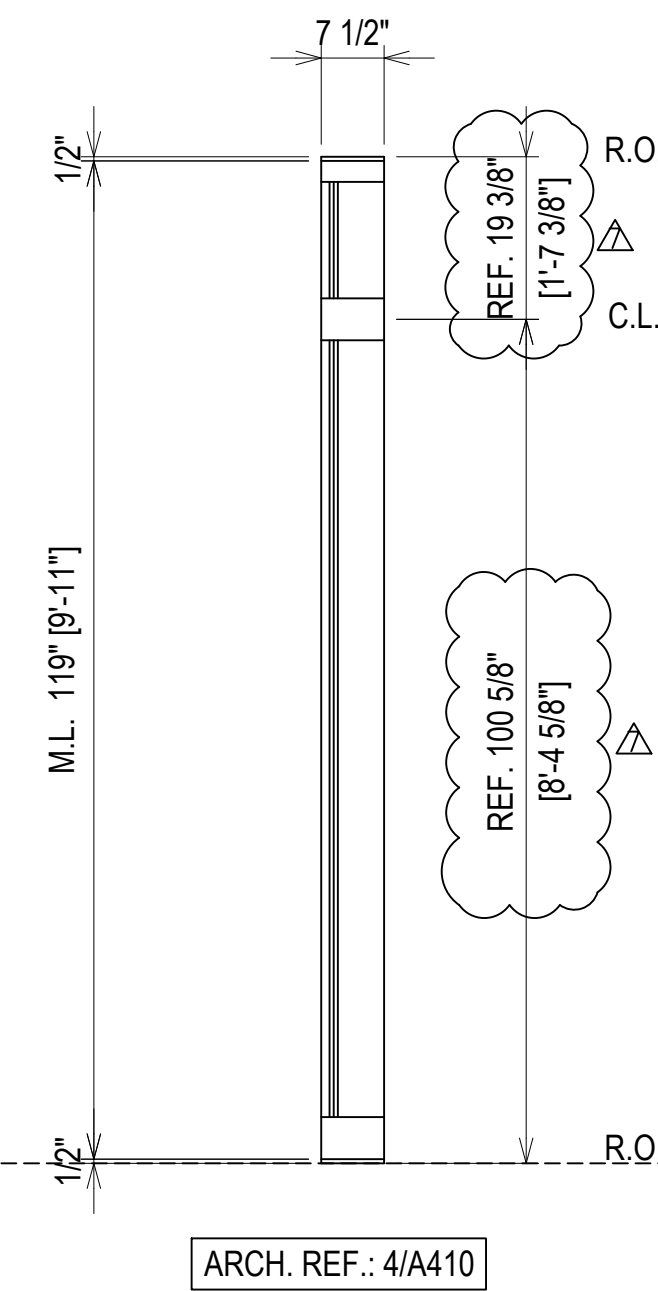
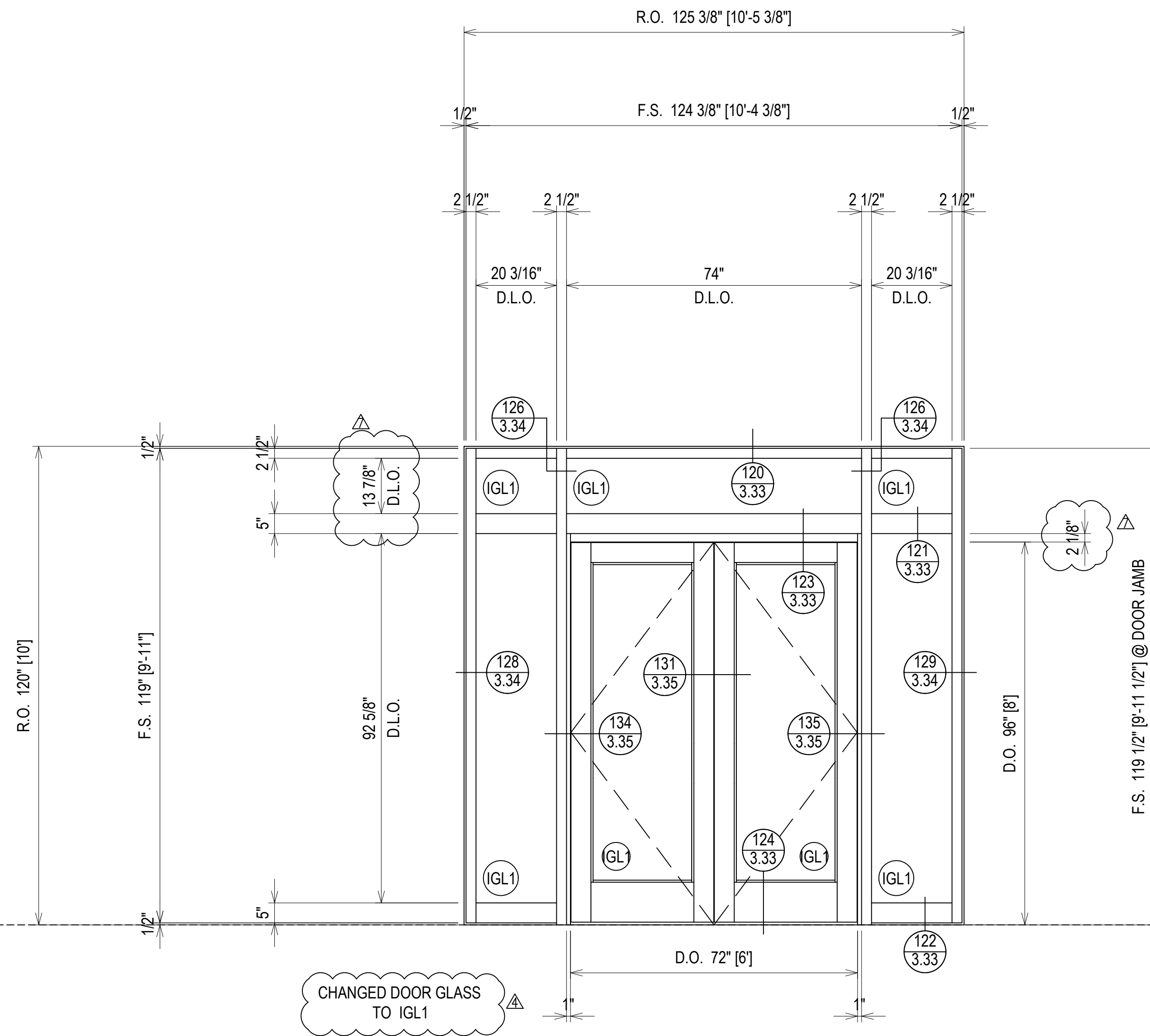
ERECTOR / G.C. NOTE:
 PLEASE FIELD VERIFY ALL DIMENSIONS



ELEVATION CW26
 SCALE: 1/2" = 1'-0"
 KAWNEER 1600 UT - 2 1/2" X 7 1/2"
 EXTERIOR CURTAINWALL
 1" INSULATED GLASS (FRONT SET)
 QUANTITY: 1

ERECTOR / G.C. NOTE:
 PLEASE FIELD VERIFY ALL DIMENSIONS

SECOND FLOOR
208'-2"



ELEVATION CW26A

SCALE: 1/2" = 1'-0"
KAWNEER 1600 UT - 2 1/2" X 7 1/2"
EXTERIOR CURTAINWALL
1" INSULATED GLASS (FRONT SET)
QUANTITY: 2

ERECTOR / G.C. NOTE:
PLEASE FIELD VERIFY ALL DIMENSIONS

REVISIONS	BY
△	5/19/21 CW
△	6/8/21 CW
△	6/15/21 CW
△	8/6/21 CW
△	8/26/21 CW
△	9/16/21 CW

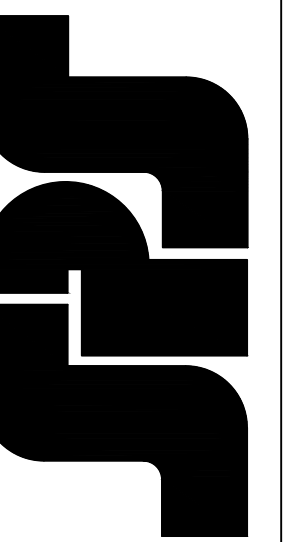
VCU MONROE PARK CAMPUS STEM FACILITY

RICHMOND, VIRGINIA

ARCHITECT: BALLINGER
CUSTOMER: SPS CORPORATION

SPS Corporation

Fort Wayne, Indiana Raleigh, North Carolina
Indianapolis, Indiana Charlotte, North Carolina

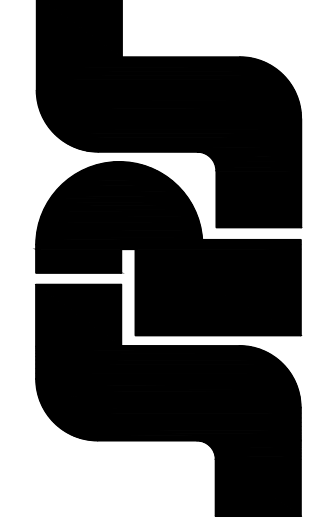


Drawn By	DJ
Date Drawn	2/4/21
Checked By	LW
Date Checked	2/4/21
Scale	AS NOTED
File No.	xxxx-xx
Job Name	VCU STERN
SHEET	

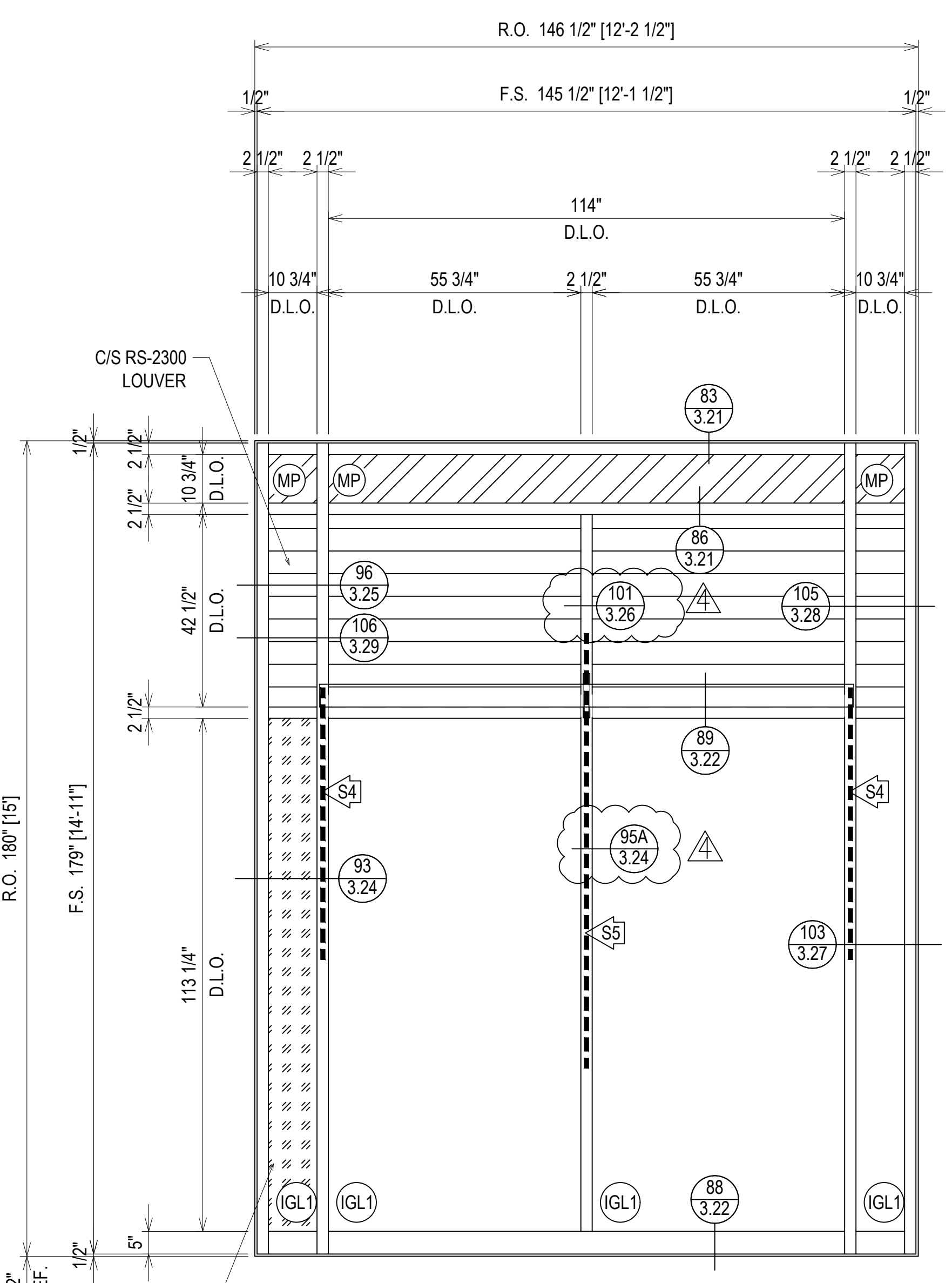
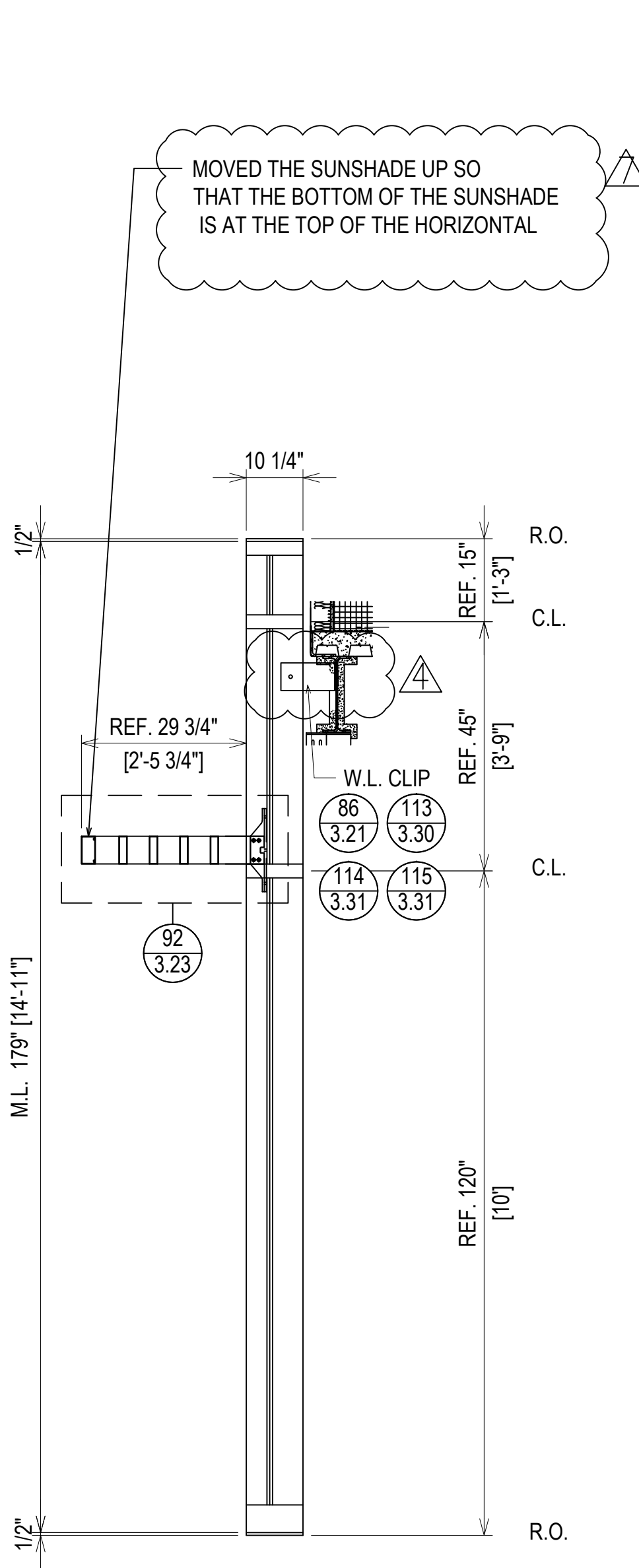
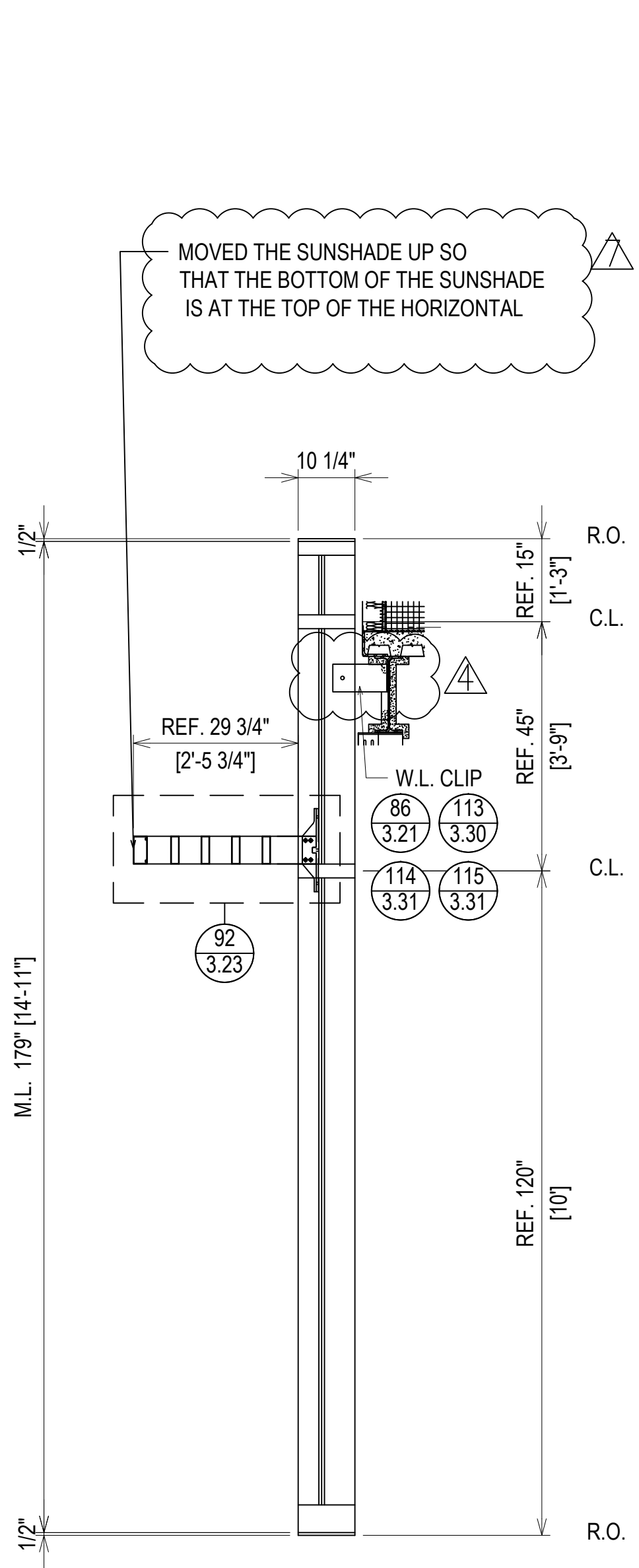
REVISIONS	BY
△	5/19/21 CW
△	6/8/21 CW
△	6/15/21 CW
△	8/6/21 CW
△	8/26/21 CW
△	9/16/21 CW

VCU MONROE PARK CAMPUS STEM FACILITY
 RICHMOND, VIRGINIA
 ARCHITECT: BALLINGER
 CUSTOMER: SPS CORPORATION

SPS Corporation
 Fort Wayne, Indiana Raleigh, North Carolina
 Indianapolis, Indiana Charlotte, North Carolina

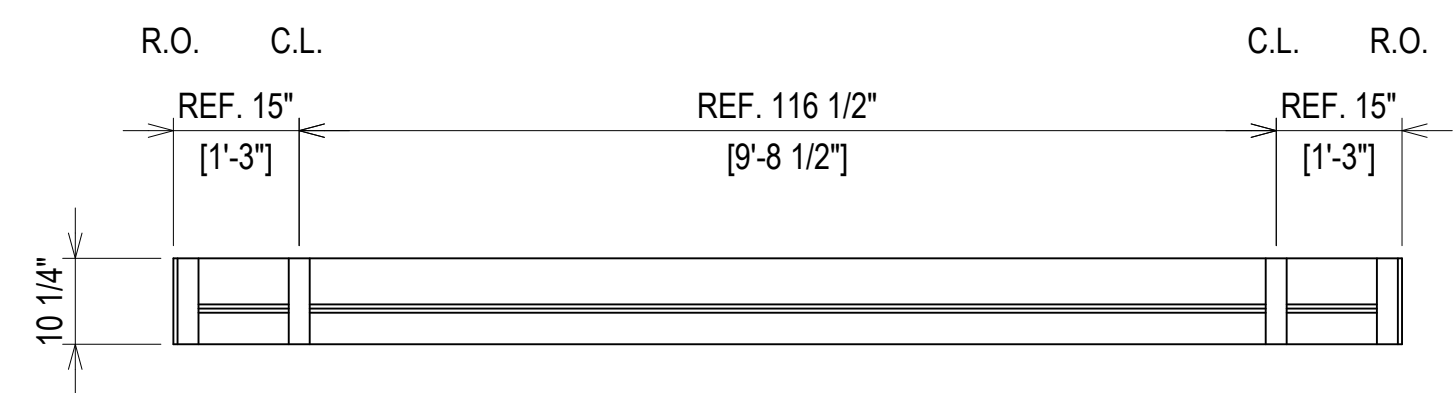
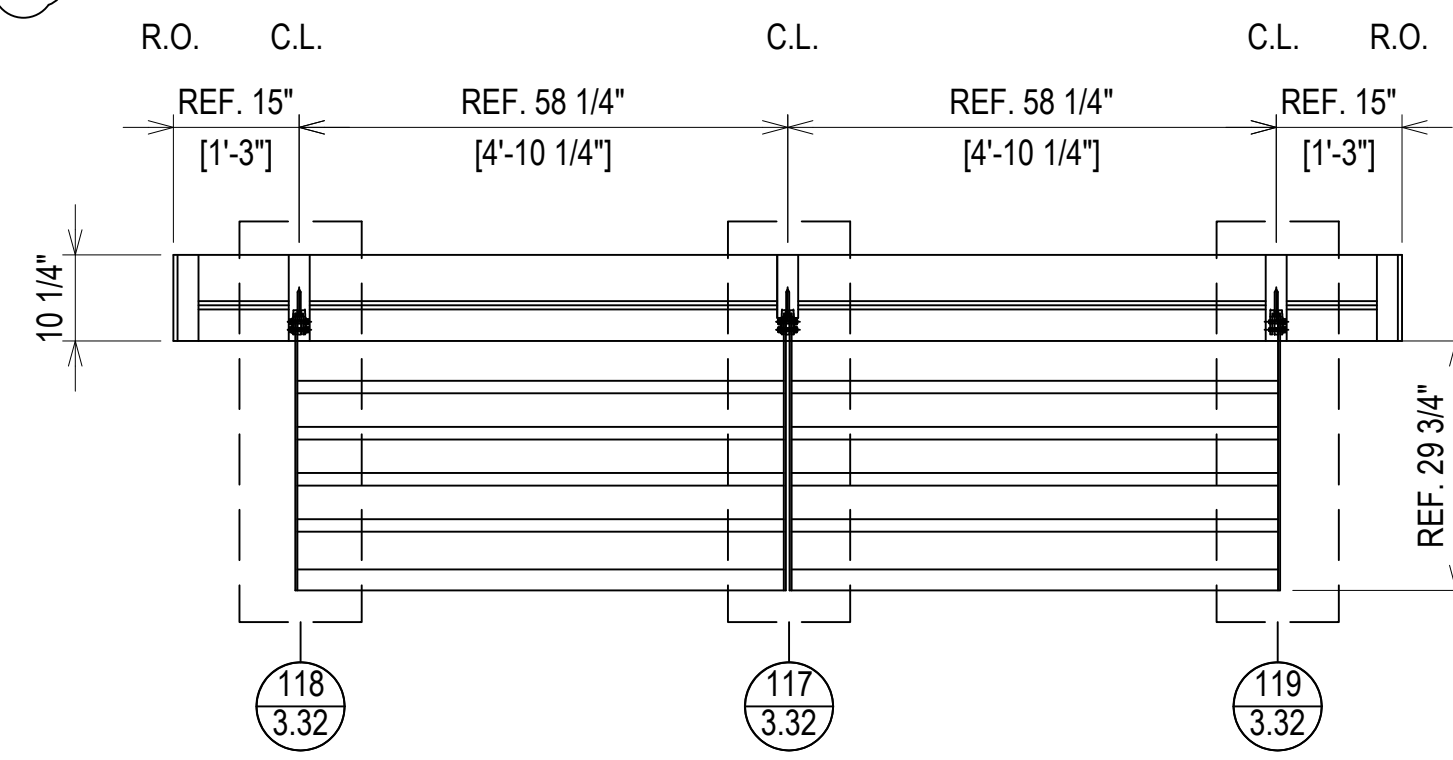
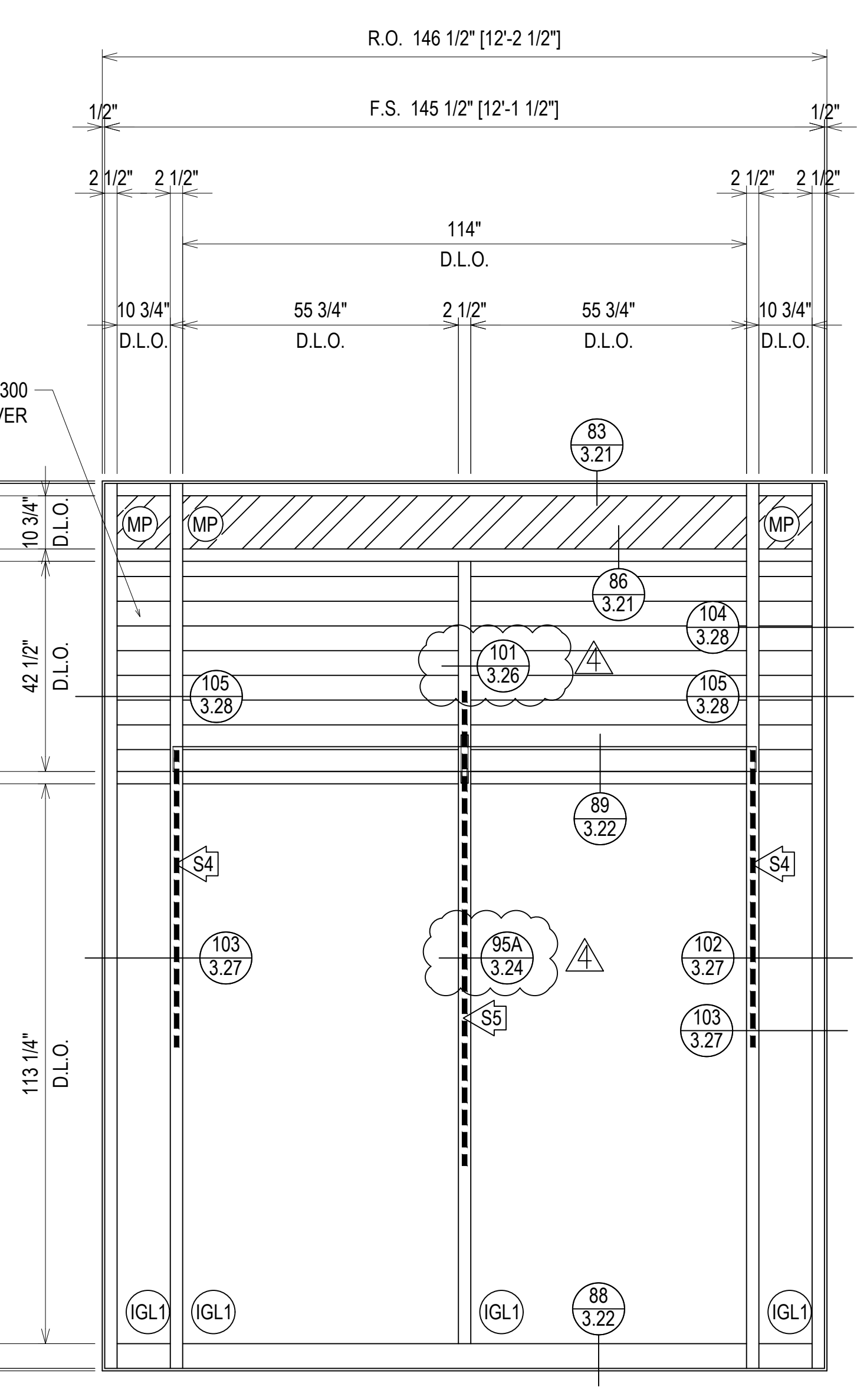


Drawn By	DJ
Date Drawn	2/4/21
Checked By	LW
Date Checked	2/4/21
Scale	AS NOTED
File No.	xxxx-xx
Job Name	VCU STERN
SHEET	



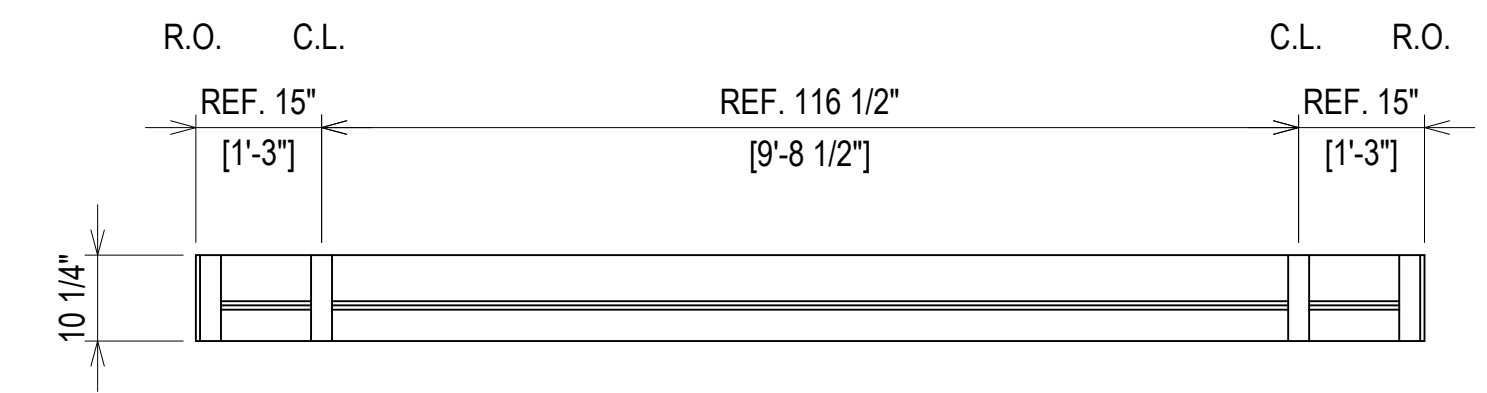
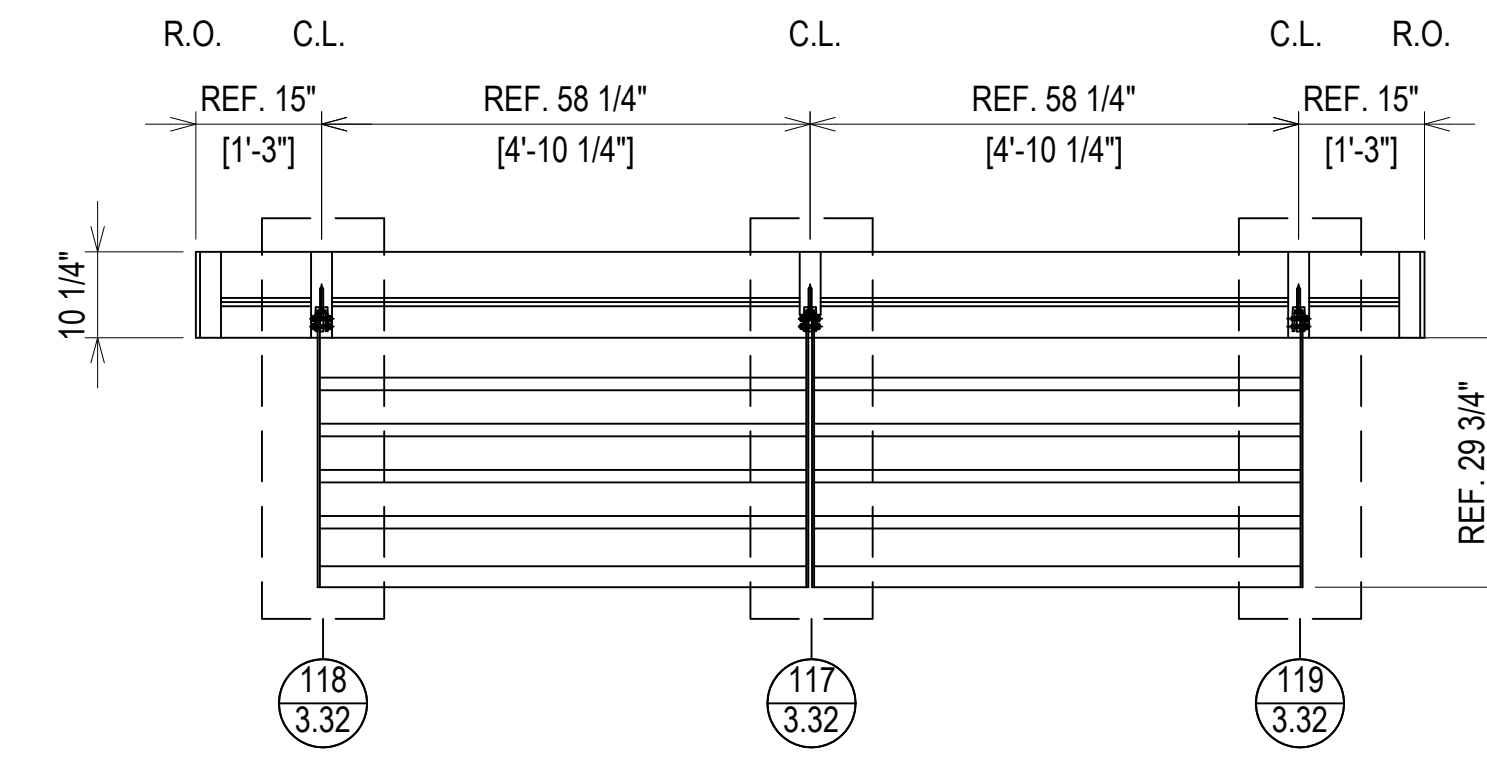
ARCH. REF.: 4/A411

ARCH. REF.: 4/A411



ELEVATION CW27
 SCALE: 1/2" = 1'-0"
 KAWNEER 1600 UT - 2 1/2" X 7 1/2"
 EXTERIOR CURTAINWALL
 1" INSULATED GLASS (FRONT SET)
 QUANTITY: 4

- S4 171-215 MULLION WITH 162-301 STEEL (5'-0" LENGTH) LOCATED 65" TO 125" FROM THE BOTTOM OF THE MULLION
- S5 171-215 MULLION WITH 162-301 STEEL (8'-0" LENGTH) LOCATED 41" TO 137" FROM THE BOTTOM OF THE MULLION



ELEVATION CW27A
 SCALE: 1/2" = 1'-0"
 KAWNEER 1600 UT - 2 1/2" X 7 1/2"
 EXTERIOR CURTAINWALL
 1" INSULATED GLASS (FRONT SET)
 QUANTITY: 1

ERECTOR / G.C. NOTE:
 PLEASE FIELD VERIFY ALL DIMENSIONS

FIRST FLOOR
 193'-6"

REMOVE FROSTED FILM

FIRST FLOOR
 193'-6"

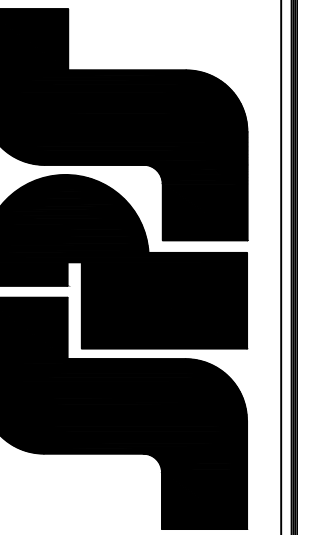
FROSTED FILM

REVISIONS	BY
△	5/19/21 CW
△	6/8/21 CW
△	6/15/21 CW
△	8/6/21 CW
△	8/26/21 CW
△	9/16/21 CW

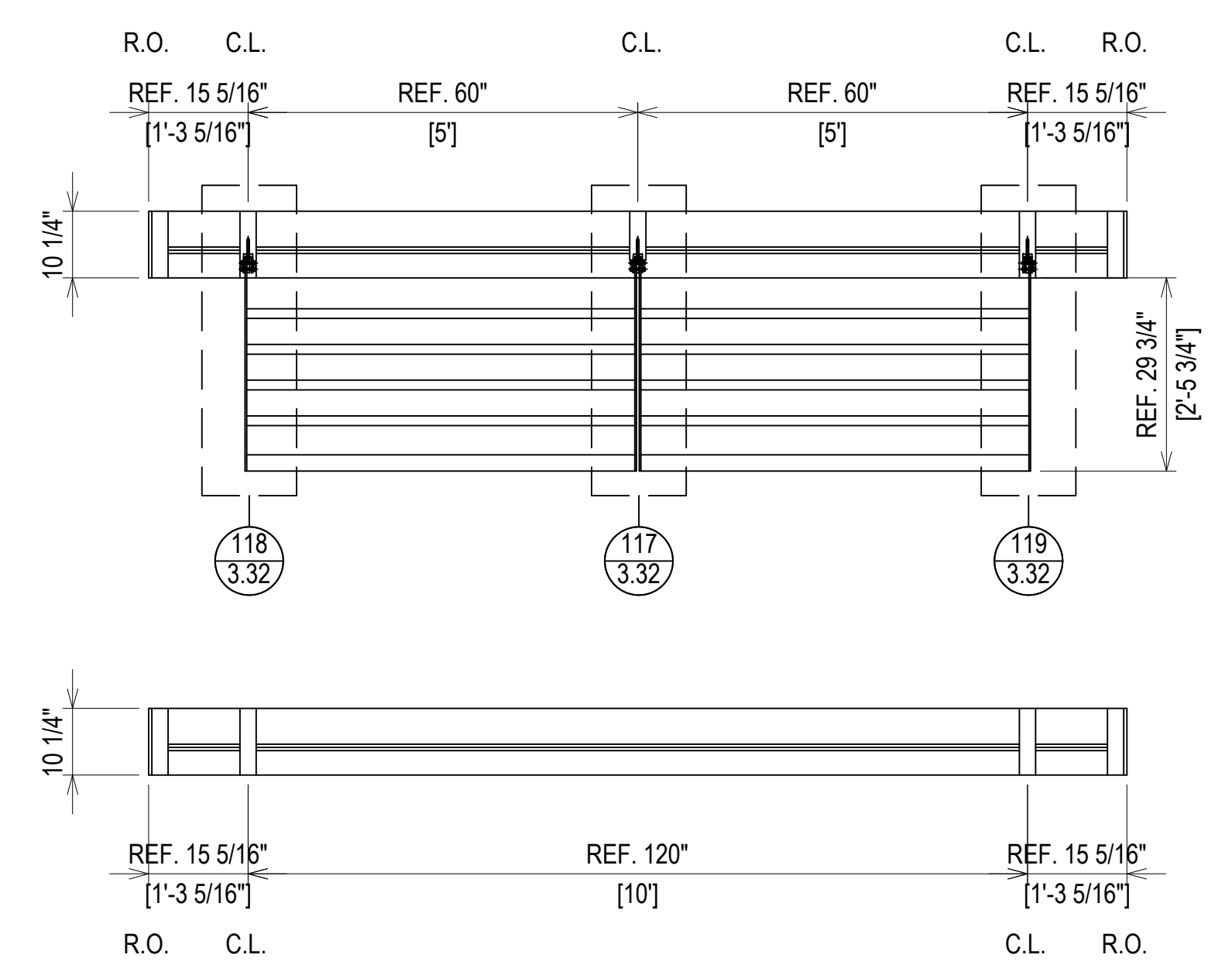
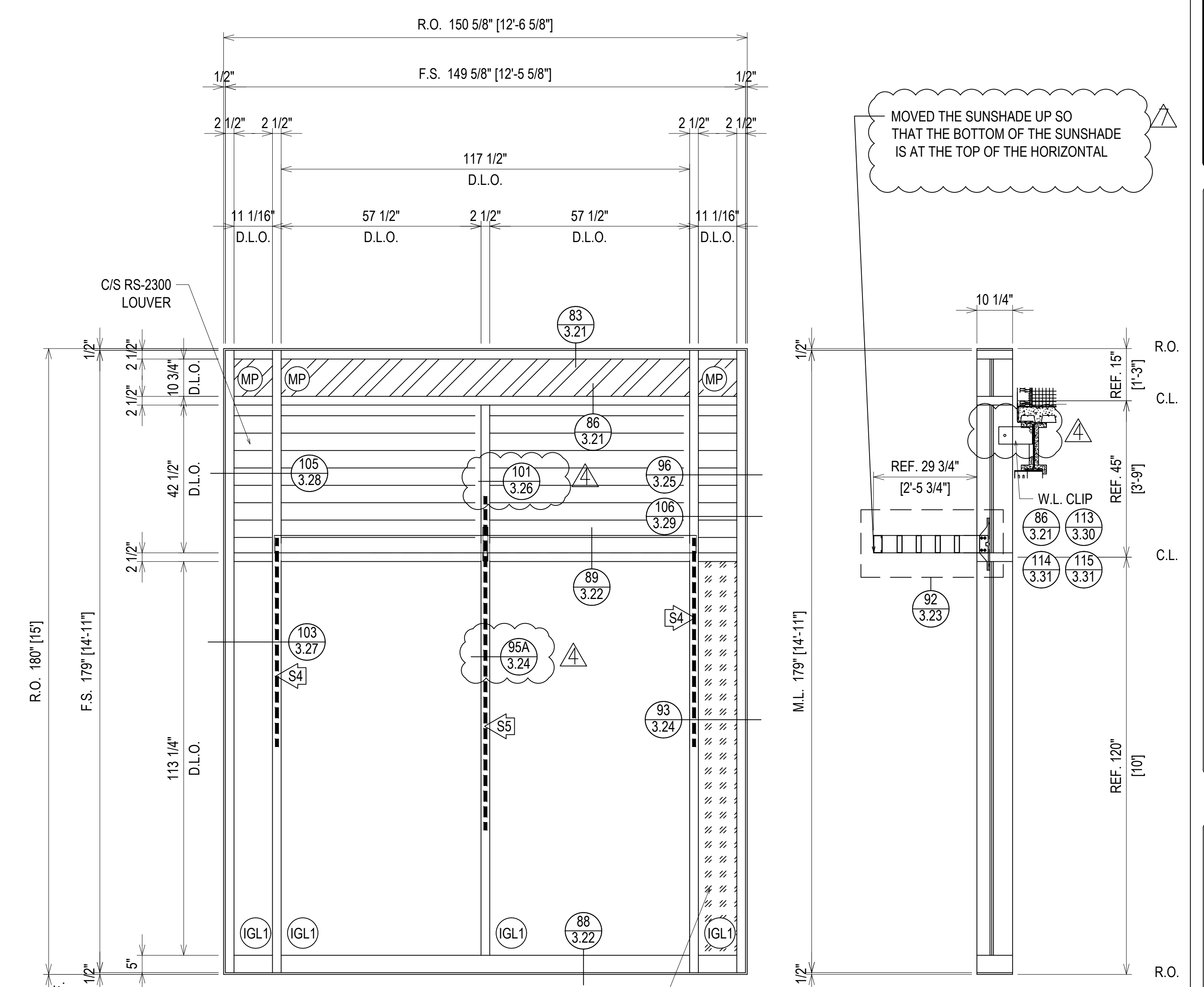
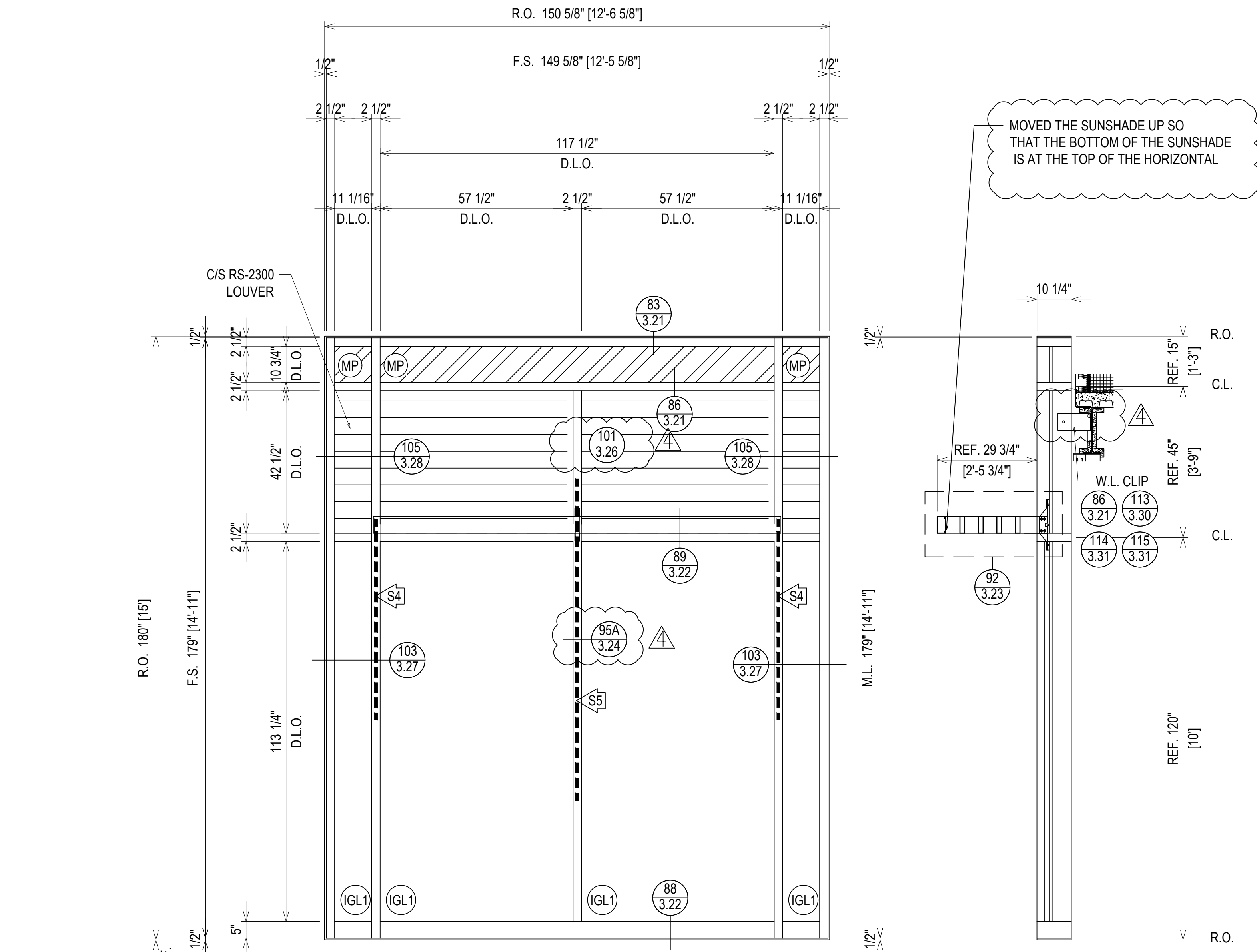
VCU MONROE PARK CAMPUS STEM FACILITY

RICHMOND, VIRGINIA
ARCHITECT: BALLINGER
CUSTOMER: SPS CORPORATION

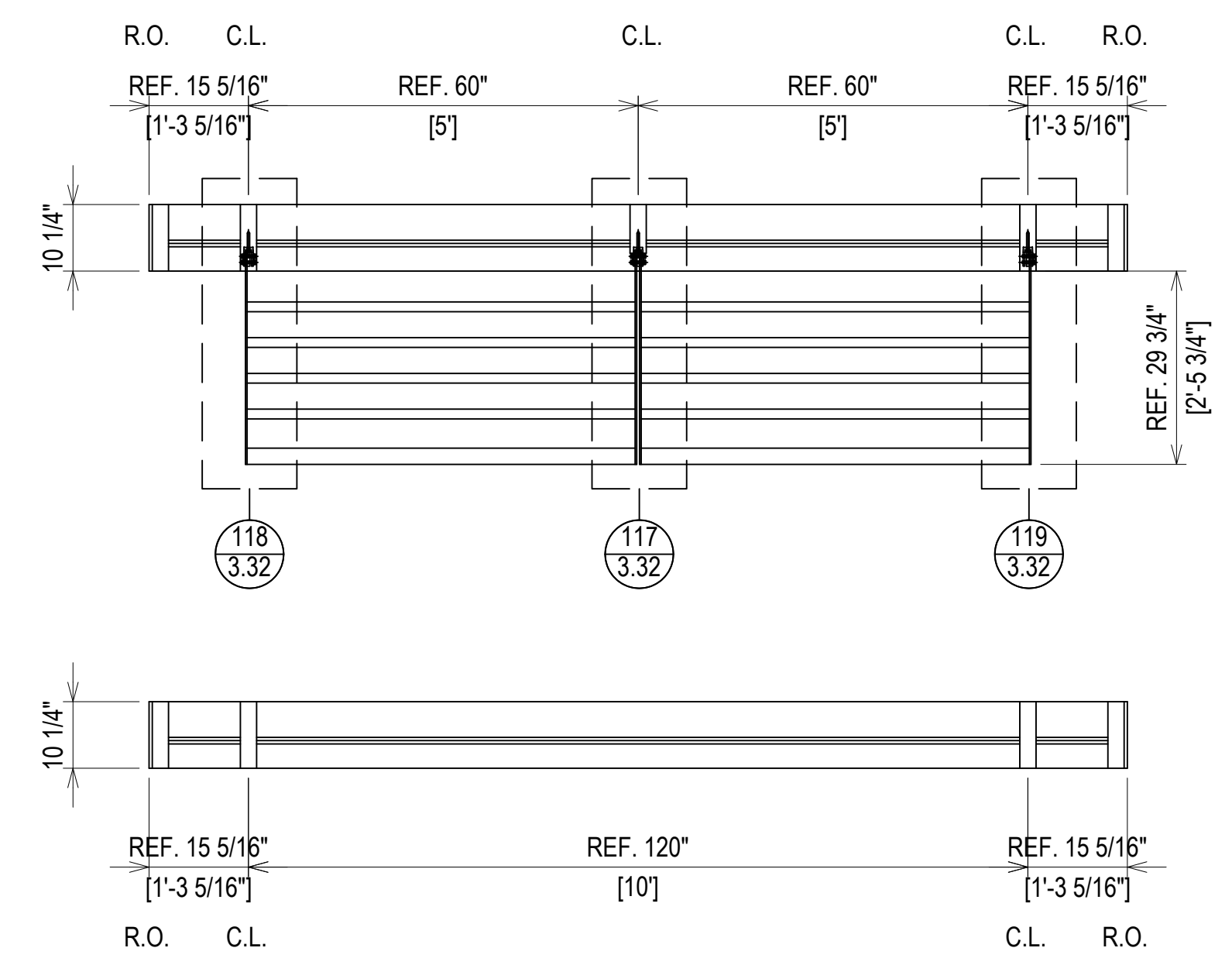
SPS Corporation
Fort Wayne, Indiana Raleigh, North Carolina
Indianapolis, Indiana Charlotte, North Carolina



Drawn By	DJ
Date Drawn	2/4/21
Checked By	LW
Date Checked	2/4/21
Scale	AS NOTED
File No.	xxxx-xx
Job Name	VCU STERN
SHEET	



- S4 171-215 MULLION WITH 162-301 STEEL (5'-0" LENGTH) LOCATED 65" TO 125" FROM THE BOTTOM OF THE MULLION
- S5 171-215 MULLION WITH 162-301 STEEL (8'-0" LENGTH) LOCATED 41" TO 137" FROM THE BOTTOM OF THE MULLION

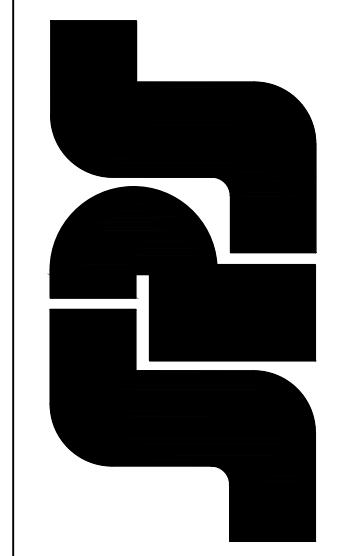


ERECTOR / G.C. NOTE:
PLEASE FIELD VERIFY ALL DIMENSIONS

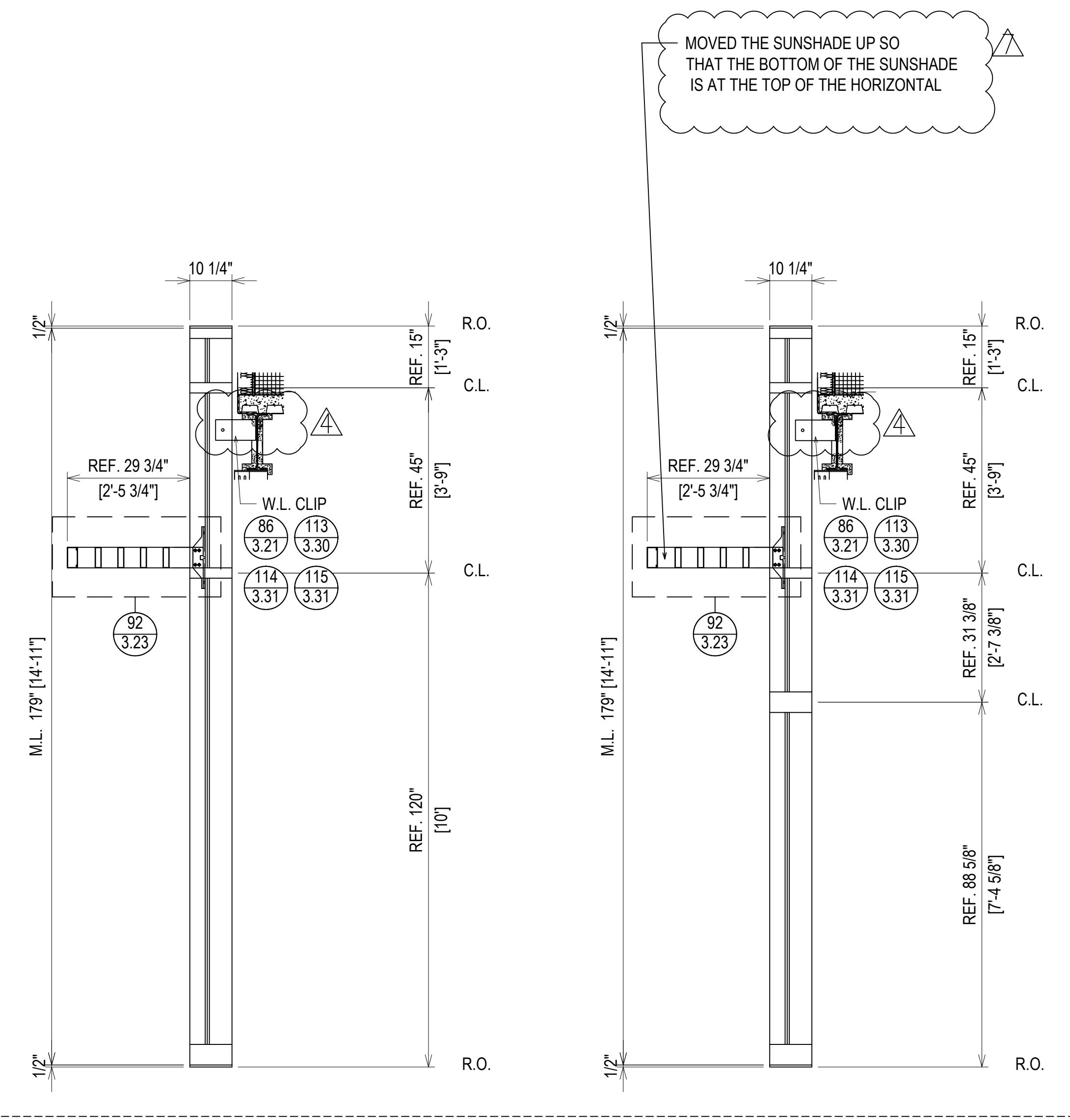
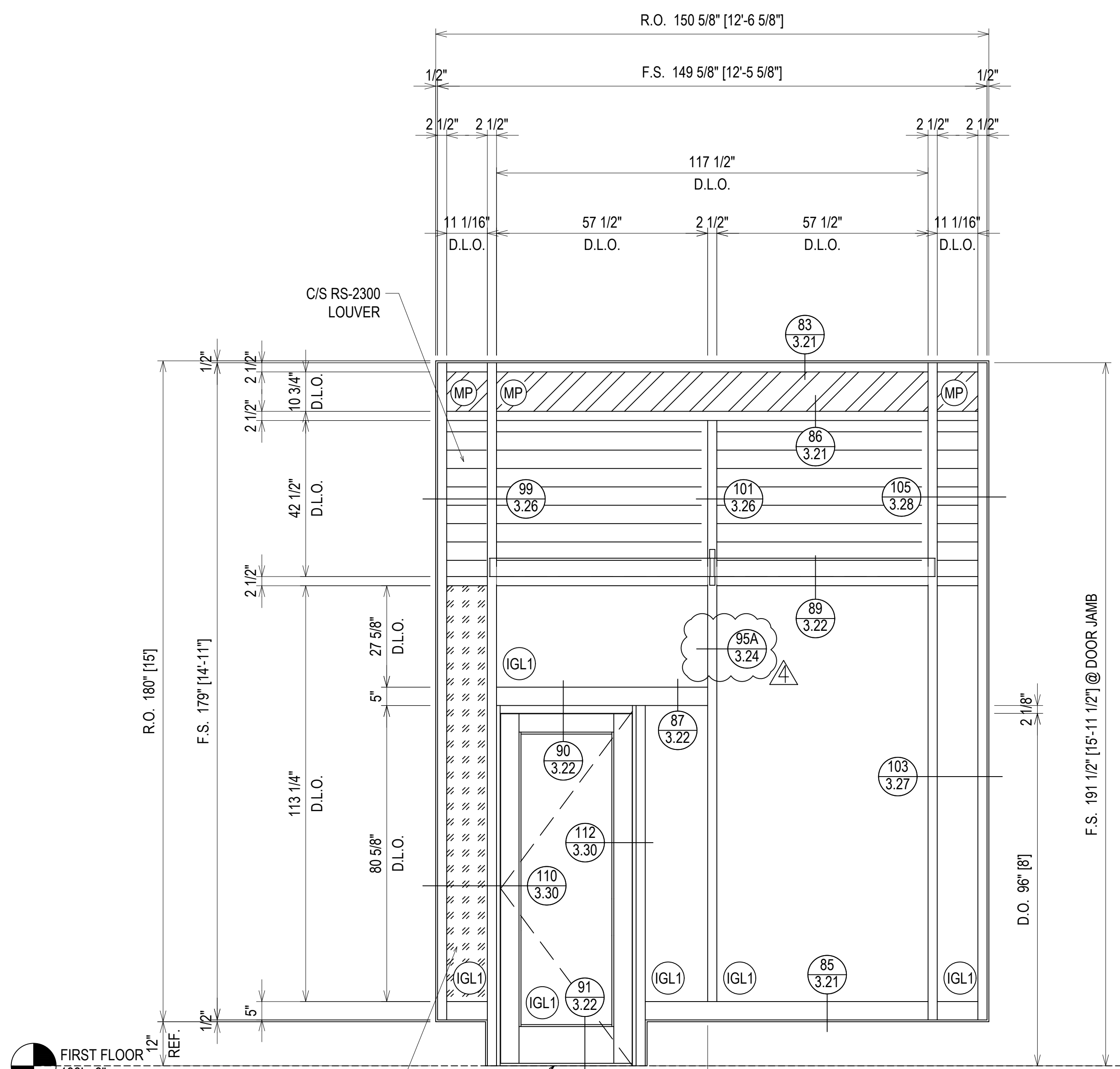
REVISIONS	BY
△	5/19/21 CW
△	6/8/21 CW
△	6/15/21 CW
△	8/6/21 CW
△	8/26/21 CW
△	9/16/21 CW

VCU MONROE PARK CAMPUS STEM FACILITY
 RICHMOND, VIRGINIA
 ARCHITECT: BALLINGER
 CUSTOMER: SPS CORPORATION

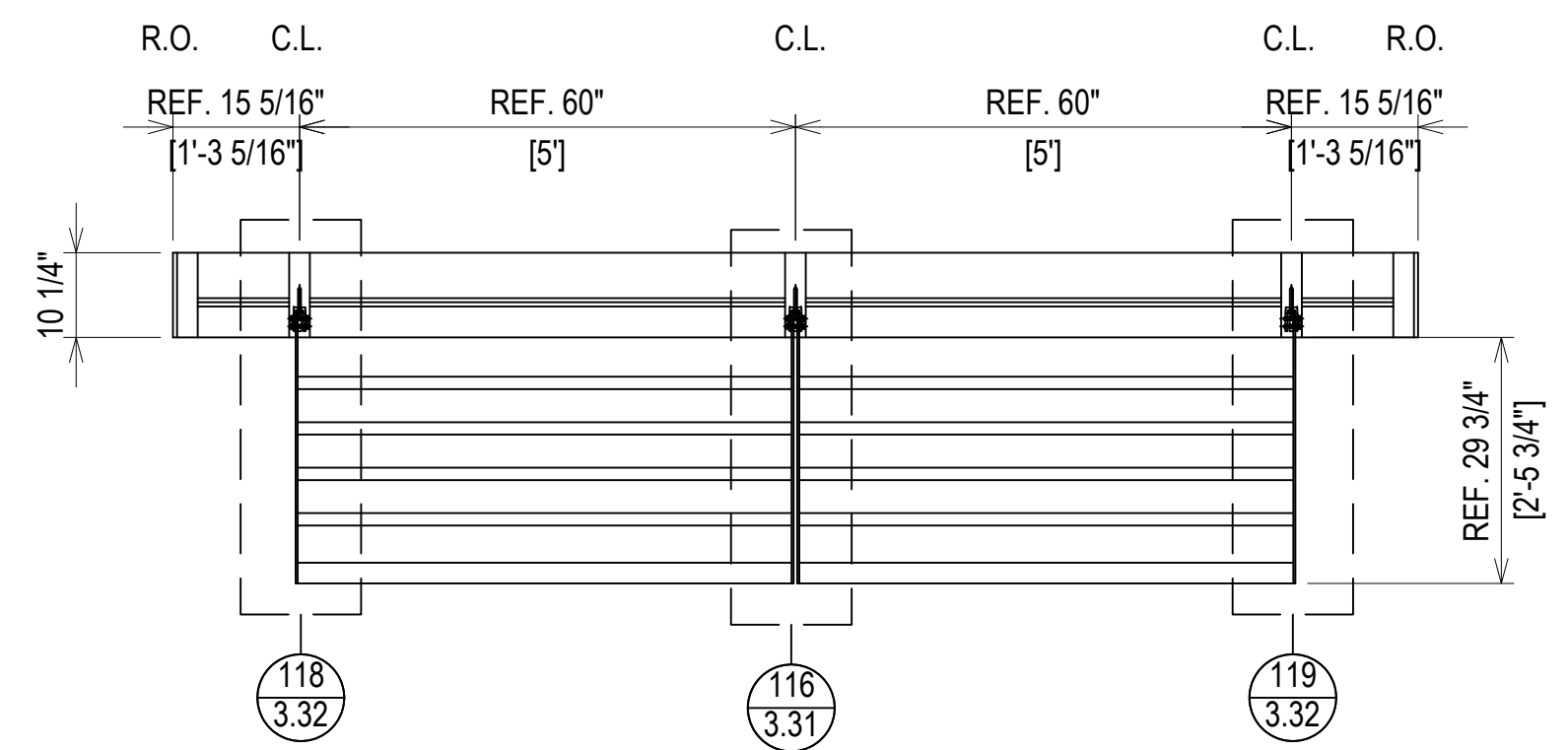
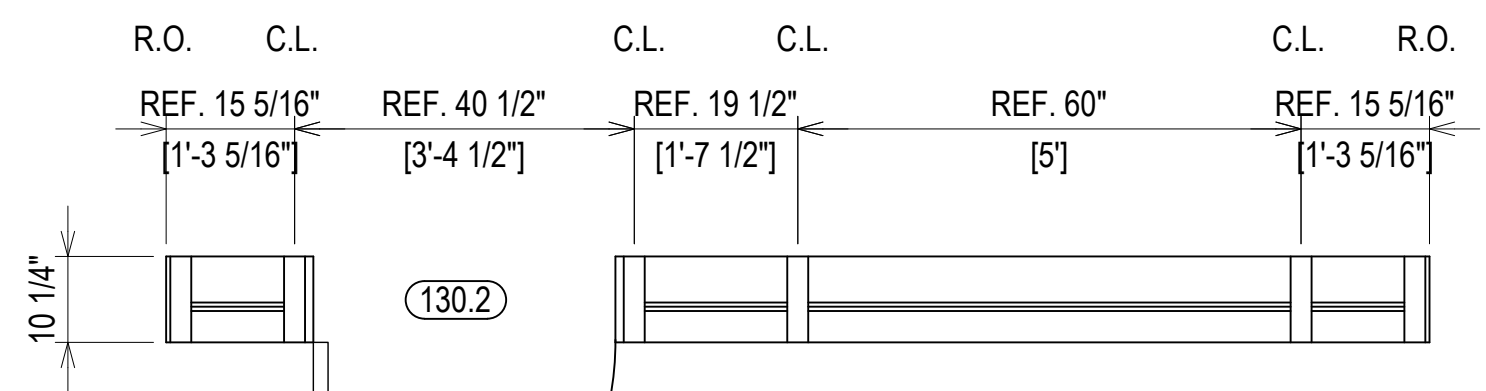
SPS Corporation
 Fort Wayne, Indiana Raleigh, North Carolina
 Indianapolis, Indiana Charlotte, North Carolina



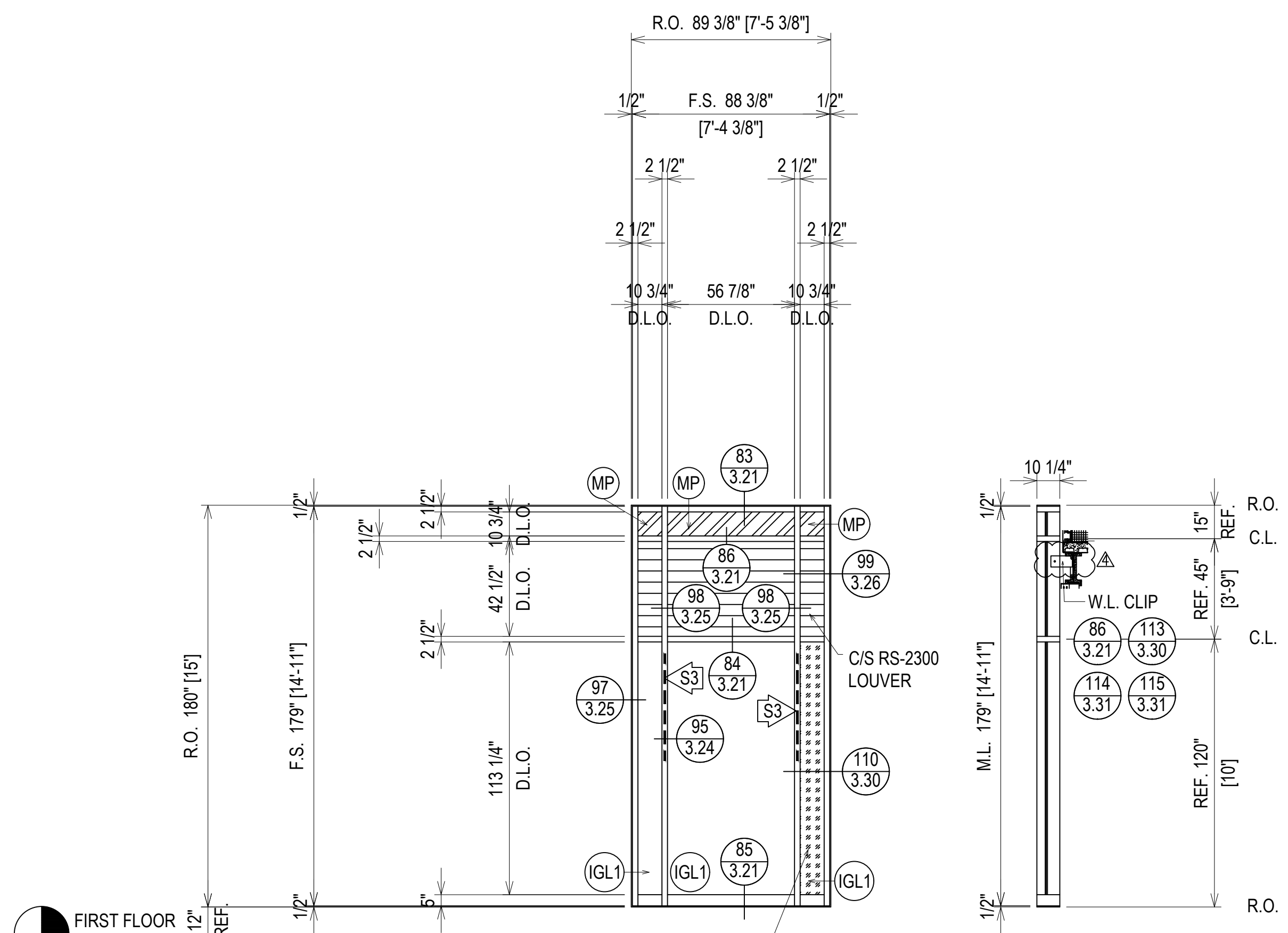
Drawn By	DJ
Date Drawn	2/4/21
Checked By	LW
Date Checked	2/4/21
Scale	AS NOTED
File No.	xxxx-xx
Job Name	VCU STERN
SHEET	



ELEVATION CW29
 SCALE: 1/2" = 1'-0"
 KAWNEER 1600 UT - 2 1/2" X 7 1/2"
 EXTERIOR CURTAINWALL
 1" INSULATED GLASS (FRONT SET)
 QUANTITY: 1



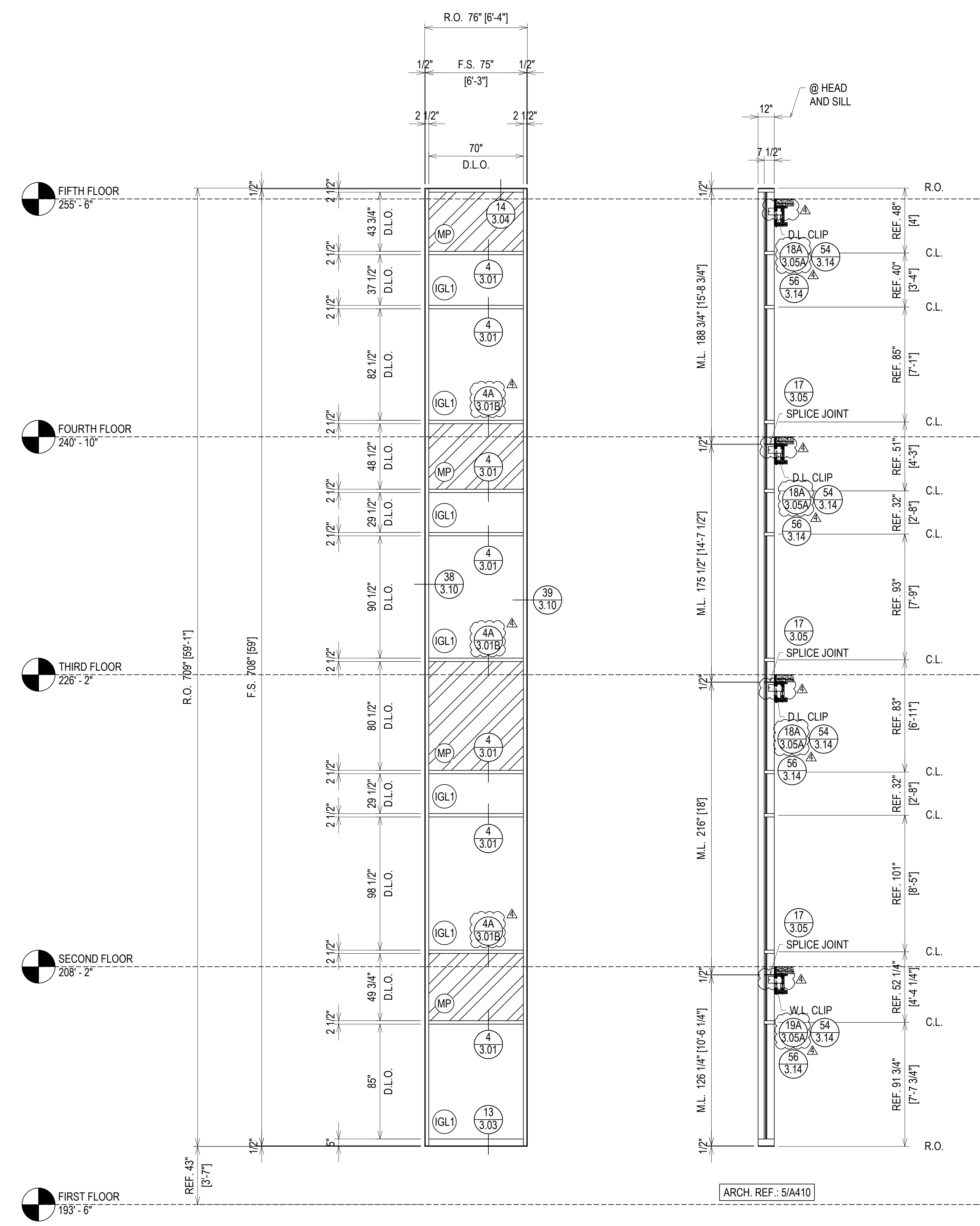
ERECTOR / G.C. NOTE:
 PLEASE FIELD VERIFY ALL DIMENSIONS



ARCH. REF.: 4/A411

ELEVATION CW30
 SCALE: 1/4" = 1'-0"
 KAWNEER 1600 UT - 2 1/2" X 7 1/2"
 EXTERIOR CURTAINWALL
 1" INSULATED GLASS (FRONT SET)
 QUANTITY: 1

171-215 MULLION WITH 162-301 STEEL (4'-0" LENGTH)
 LOCATED 65" TO 113" FROM THE BOTTOM OF THE MULLION



ARCH. REF.: 5/A410

ELEVATION CW31
 SCALE: 1/4" = 1'-0"
 KAWNEER 1600 UT - 2 1/2" X 7 1/2"
 EXTERIOR CURTAINWALL
 1" INSULATED GLASS (FRONT SET)
 QUANTITY: 2

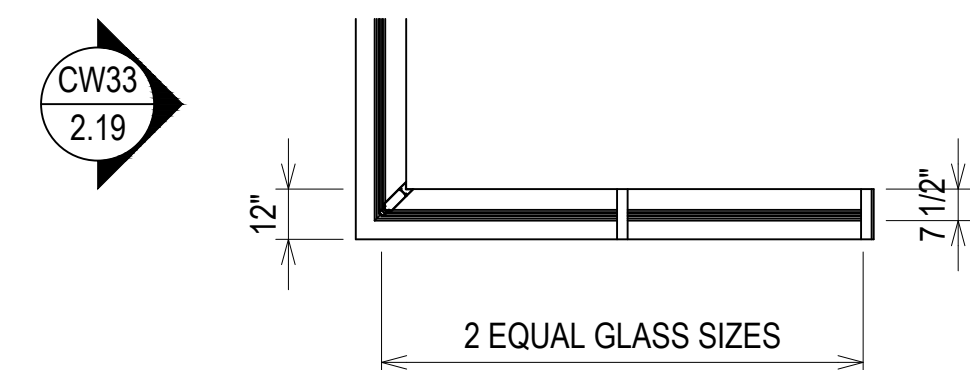
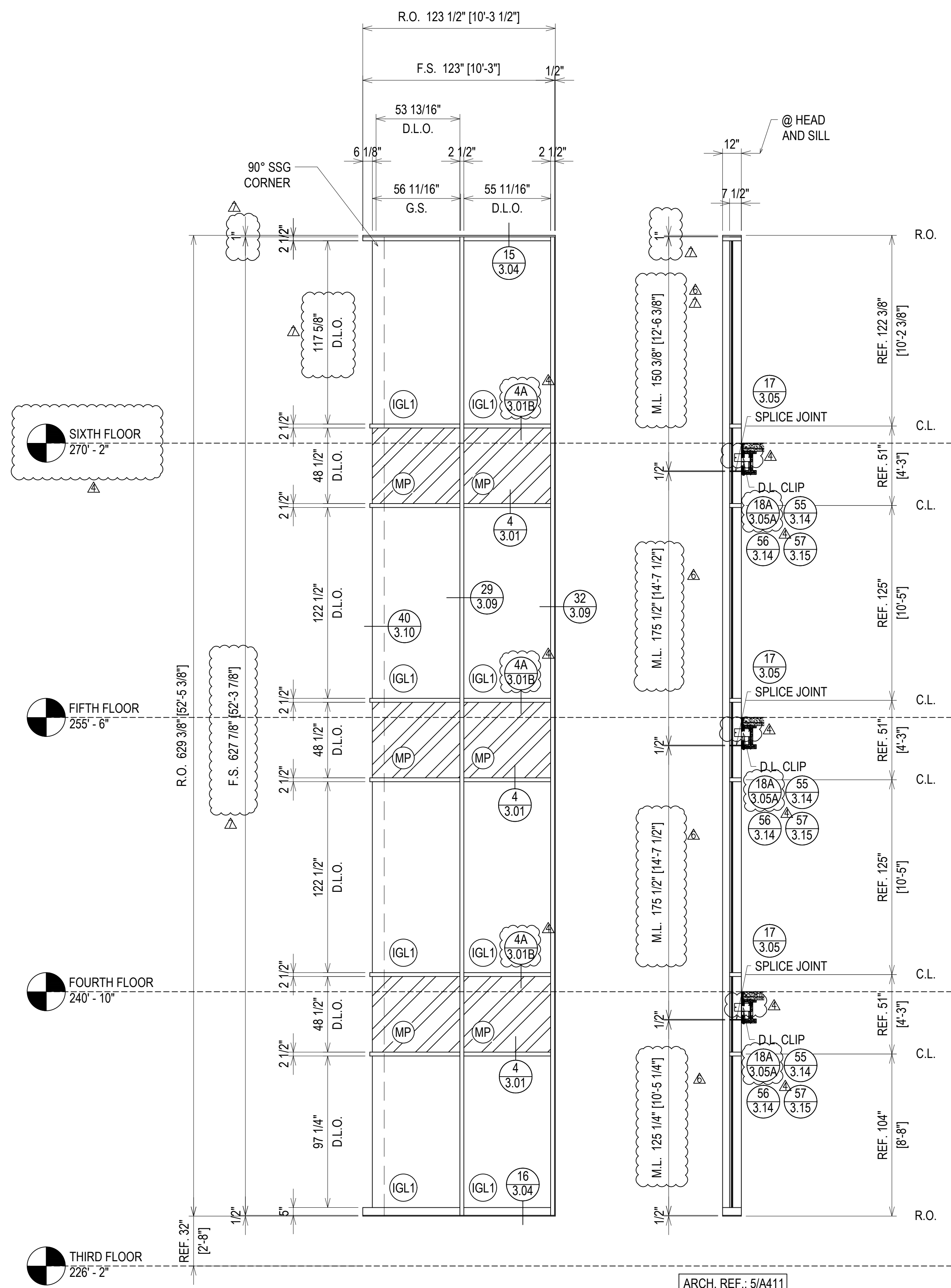
ERECTOR / G.C. NOTE:
 PLEASE FIELD VERIFY ALL DIMENSIONS

REVISIONS	BY
△	5/19/21 CW
△	6/8/21 CW
△	6/15/21 CW
△	8/6/21 CW
△	8/26/21 CW
△	9/16/21 CW

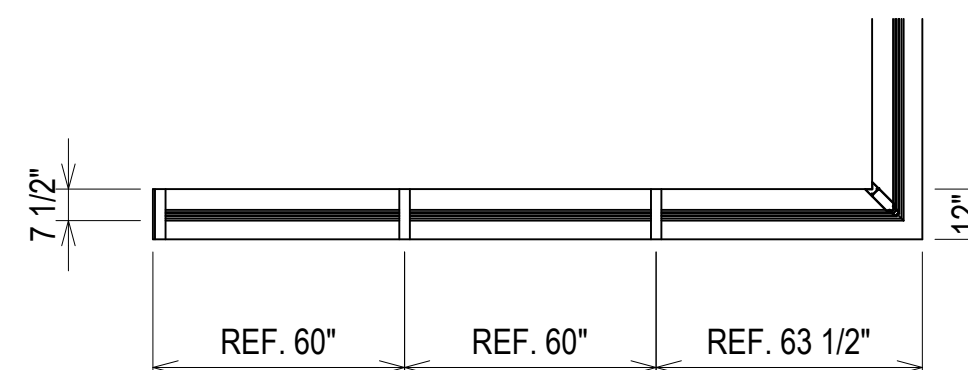
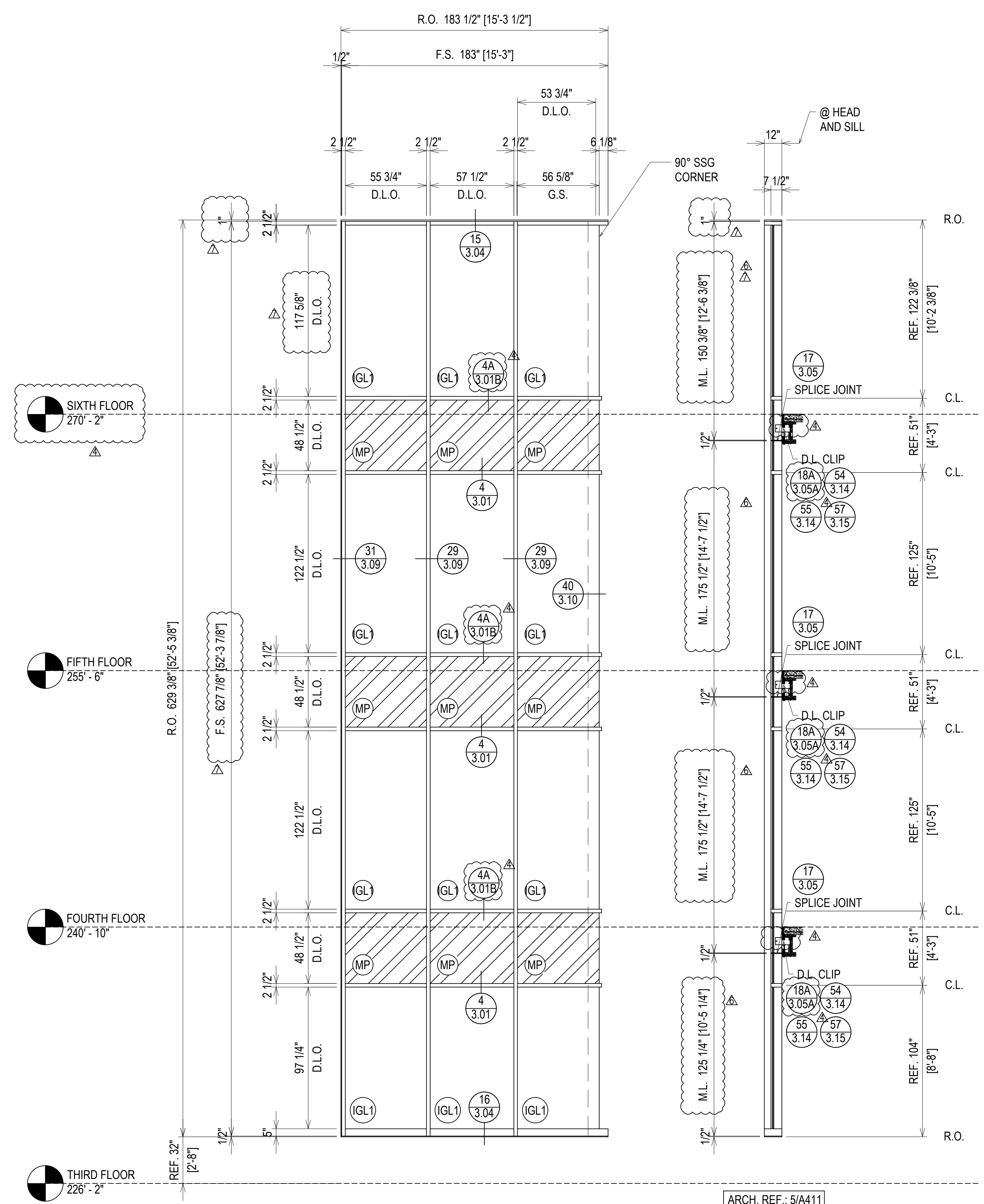
VCU MONROE PARK CAMPUS STEM FACILITY
 RICHMOND, VIRGINIA
 ARCHITECT: BALLINGER
 CUSTOMER: SPS CORPORATION

SPS Corporation
 Fort Wayne, Indiana Raleigh, North Carolina
 Indianapolis, Indiana Charlotte, North Carolina

Drawn By	DJ
Date Drawn	2/4/21
Checked By	LW
Date Checked	2/4/21
Scale	AS NOTED
File No.	xxxx-xx
Job Name	VCU STERN
SHEET	



ELEVATION CW32
 SCALE: 1/4" = 1'-0"
 KAWNEER 1600 UT - 2 1/2" X 7 1/2"
 EXTERIOR CURTAINWALL
 1" INSULATED GLASS (FRONT SET)
 QUANTITY: 1



ELEVATION CW33
 SCALE: 1/4" = 1'-0"
 KAWNEER 1600 UT - 2 1/2" X 7 1/2"
 EXTERIOR CURTAINWALL
 1" INSULATED GLASS (FRONT SET)
 QUANTITY: 1

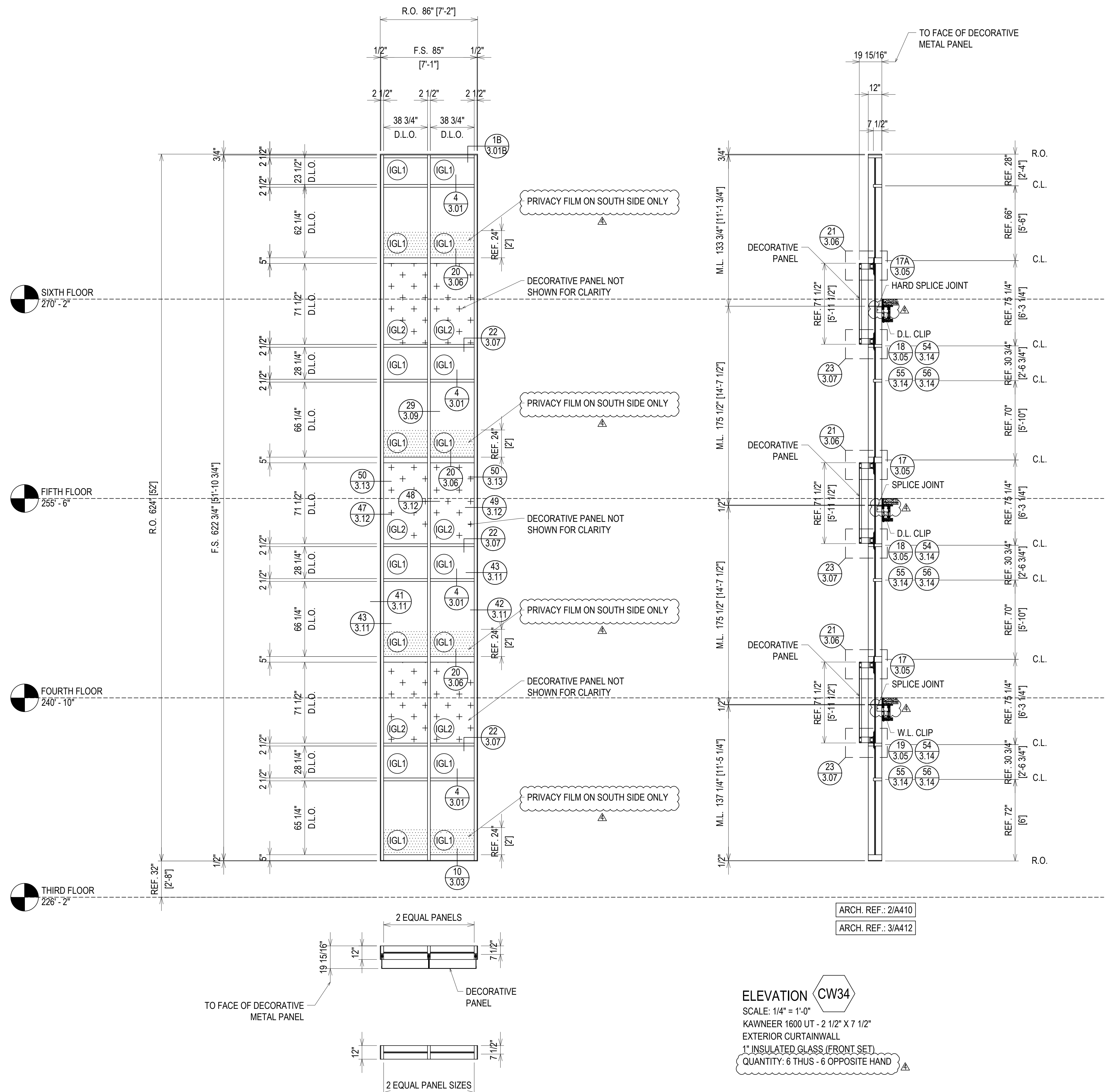
ERECTOR / G.C. NOTE:
 PLEASE FIELD VERIFY ALL DIMENSIONS

REVISIONS	BY
△	5/19/21 CW
△	6/8/21 CW
△	6/15/21 CW
△	8/6/21 CW
△	8/26/21 CW
△	9/16/21 CW

VCU MONROE PARK CAMPUS STEM FACILITY
 RICHMOND, VIRGINIA
 ARCHITECT: BALLINGER
 CUSTOMER: SPS CORPORATION

SPS Corporation
 Fort Wayne, Indiana Raleigh, North Carolina
 Indianapolis, Indiana Charlotte, North Carolina

Drawn By	DJ
Date Drawn	2/4/21
Checked By	LW
Date Checked	2/4/21
Scale	AS NOTED
File No.	xxxx-xx
Job Name	VCU STERN
SHEET	



ELEVATION CW34
 SCALE: 1/4" = 1'-0"
 KAWNEER 1600 UT - 2 1/2" X 7 1/2"
 EXTERIOR CURTAINWALL
 1" INSULATED GLASS (FRONT SET)
 QUANTITY: 6 THUS - 6 OPPOSITE HAND

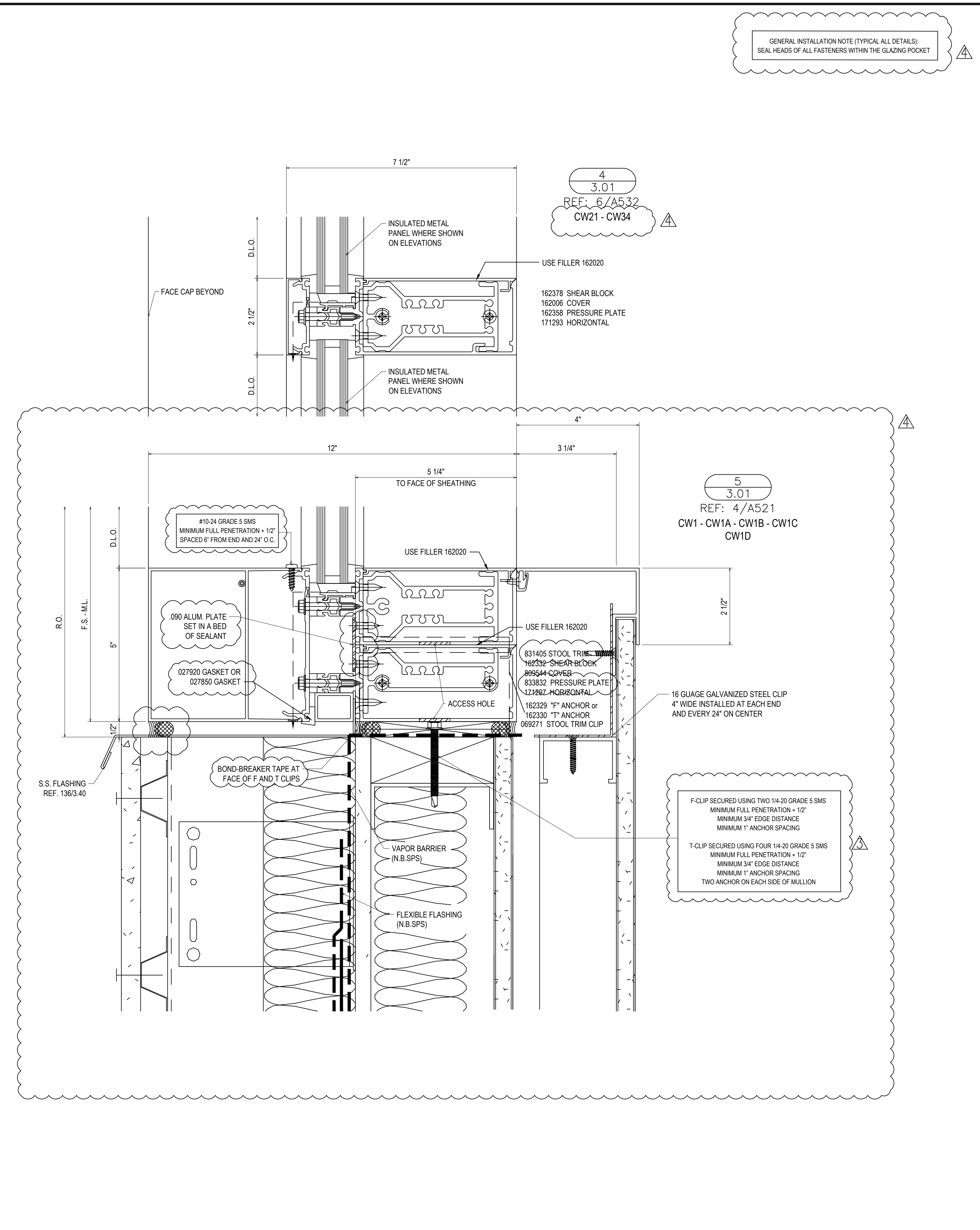
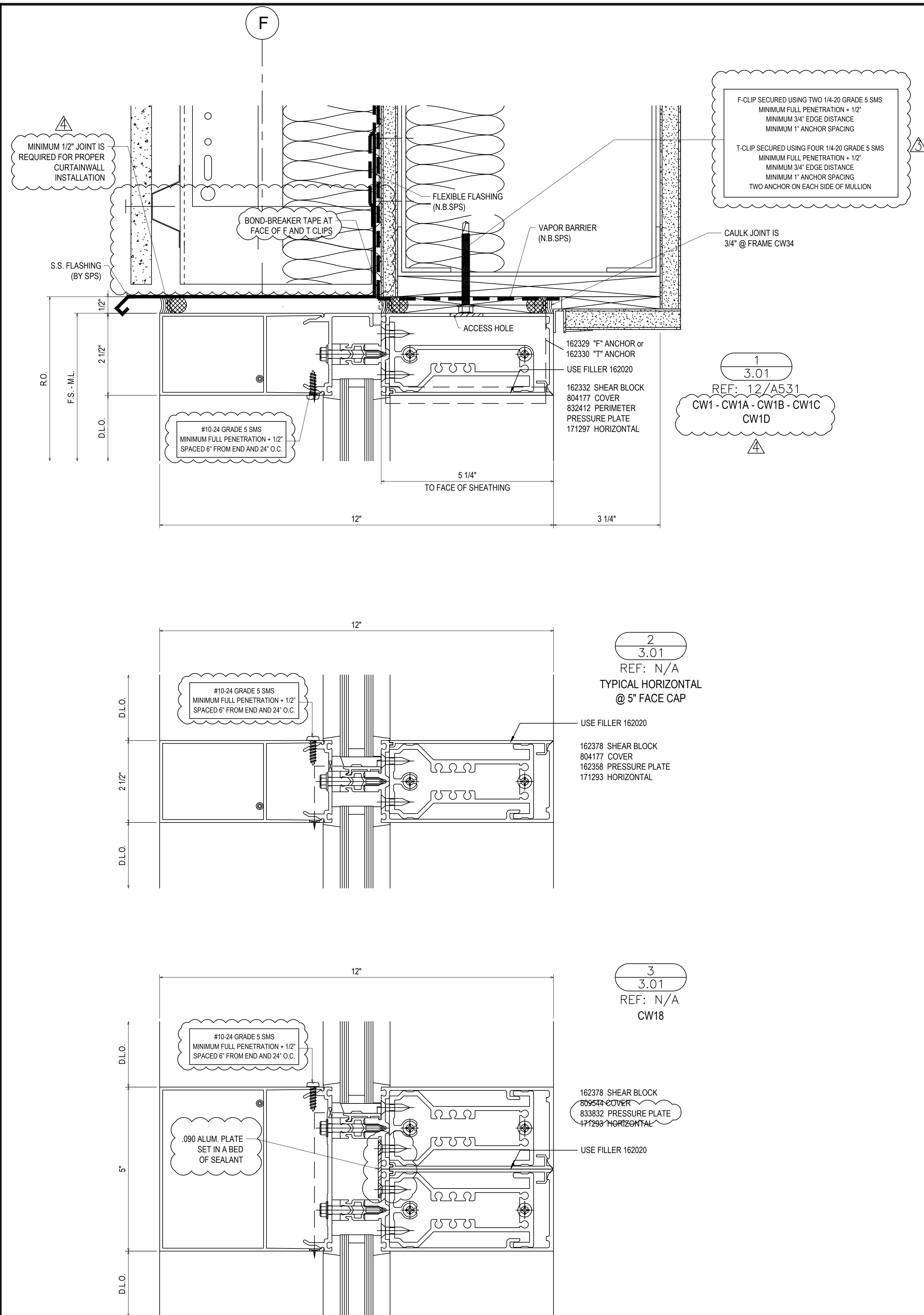
ERECTOR / G.C. NOTE:
 PLEASE FIELD VERIFY ALL DIMENSIONS

REVISIONS	BY
△	5/19/21 CW
△	6/8/21 CW
△	6/15/21 CW
△	8/6/21 CW
△	8/26/21 CW
△	9/16/21 CW

VCU MONROE PARK CAMPUS STEM FACILITY
 RICHMOND, VIRGINIA
 ARCHITECT: BALLINGER
 CUSTOMER: SPS CORPORATION

SPS Corporation
 Fort Wayne, Indiana Raleigh, North Carolina
 Indianapolis, Indiana Charlotte, North Carolina

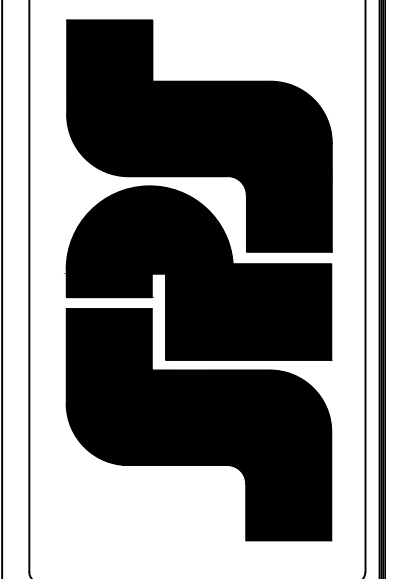
Drawn By	DJ
Date Drawn	2/4/21
Checked By	LW
Date Checked	2/4/21
Scale	AS NOTED
File No.	xxxx-xx
Job Name	VCU STERN
SHEET	



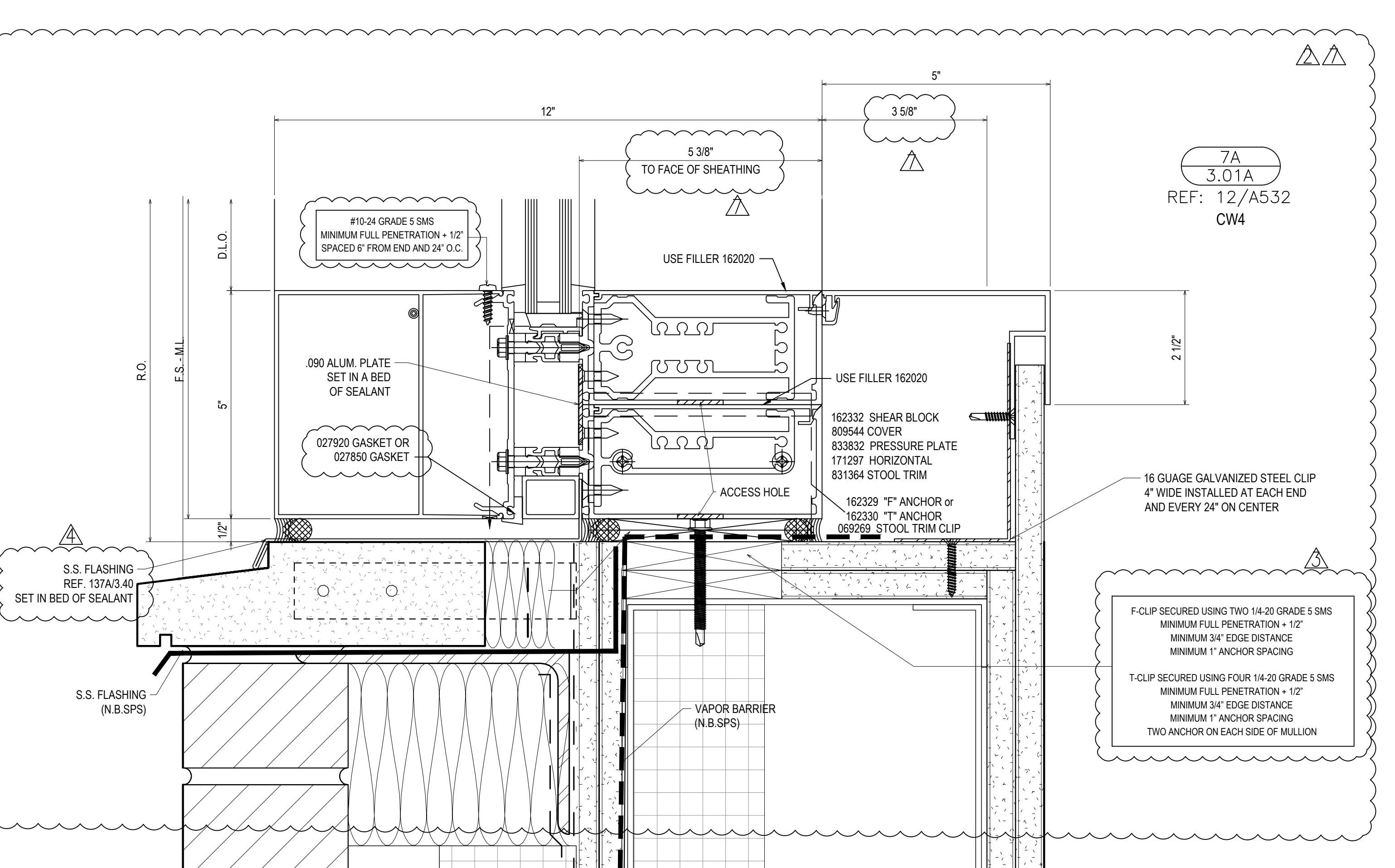
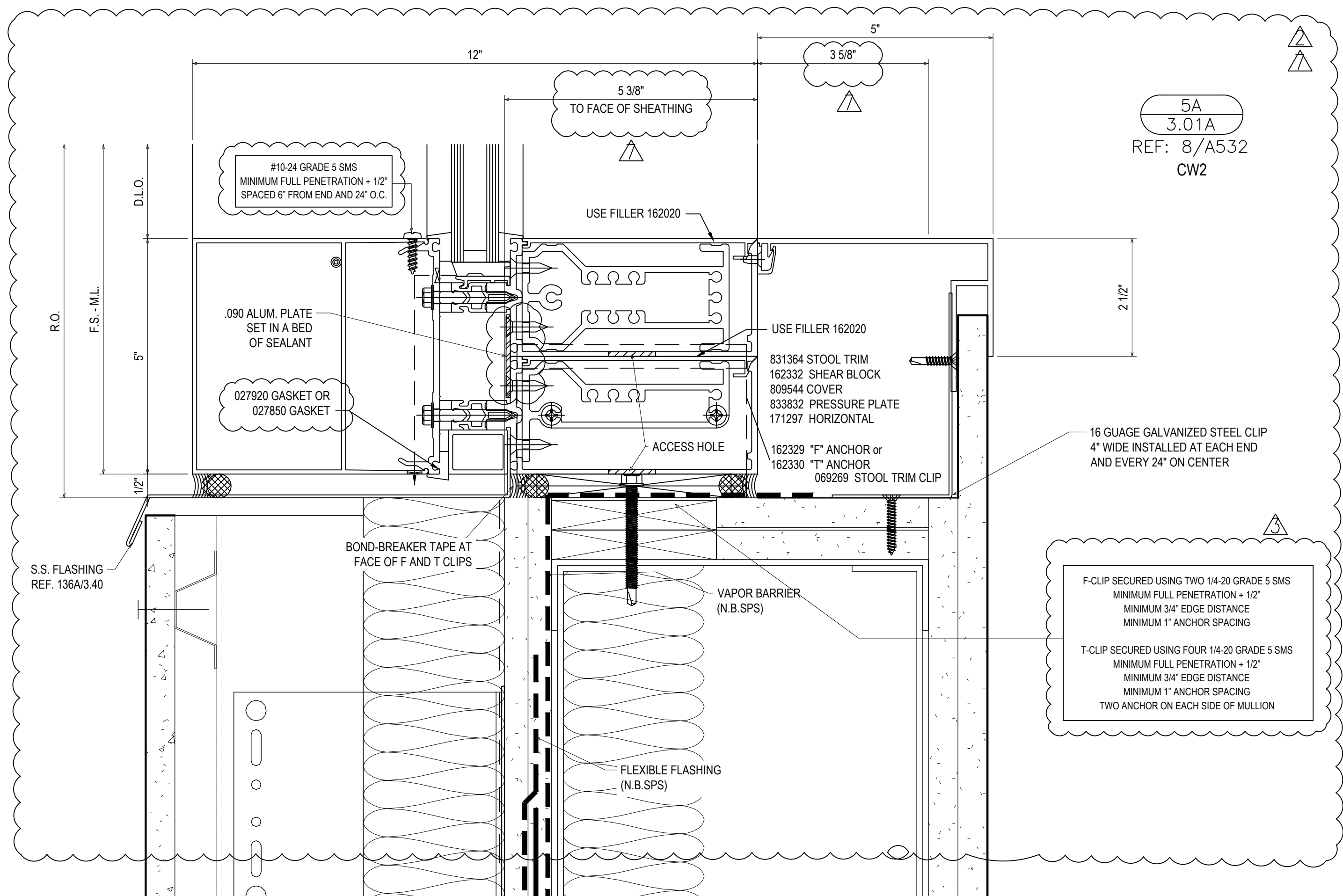
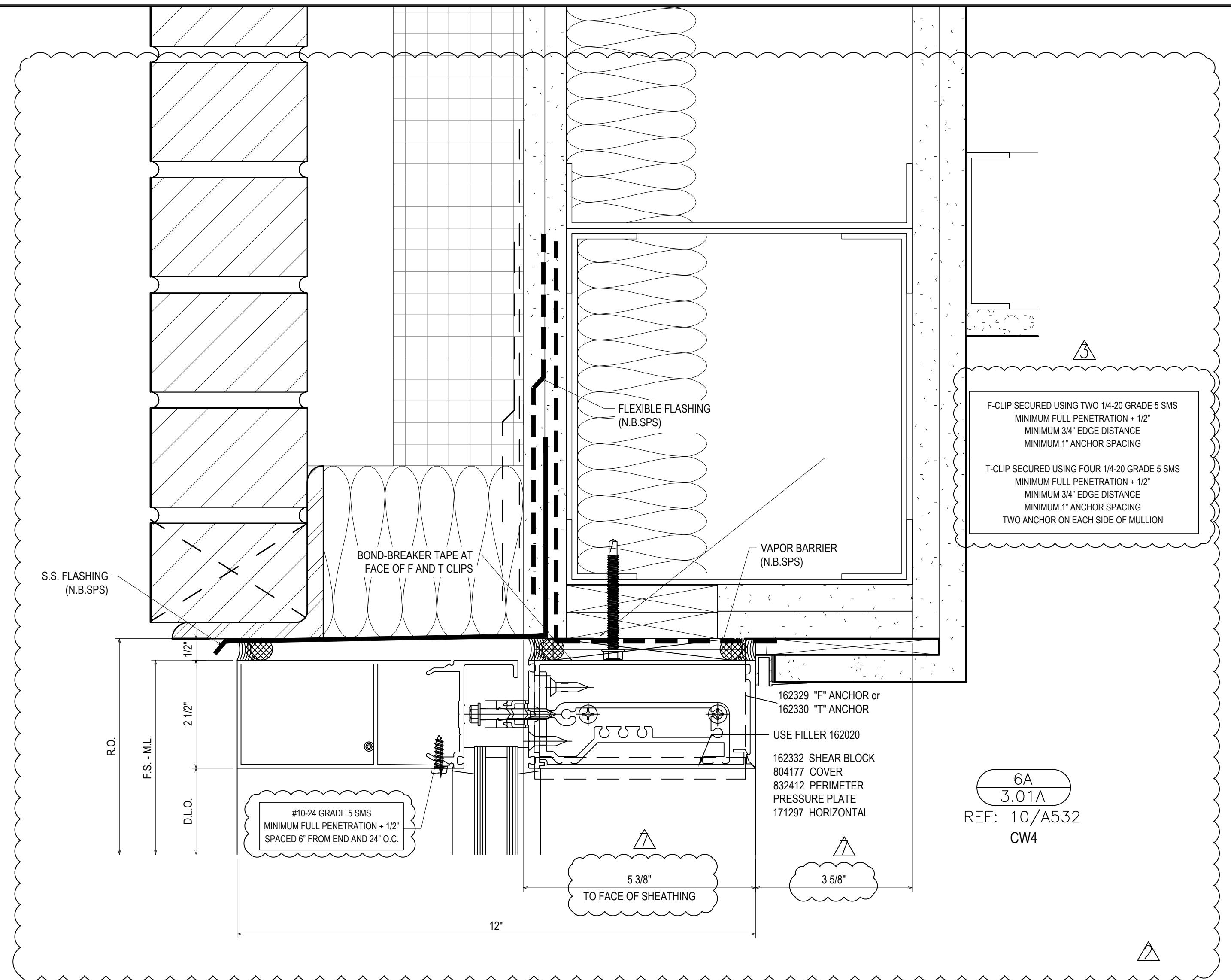
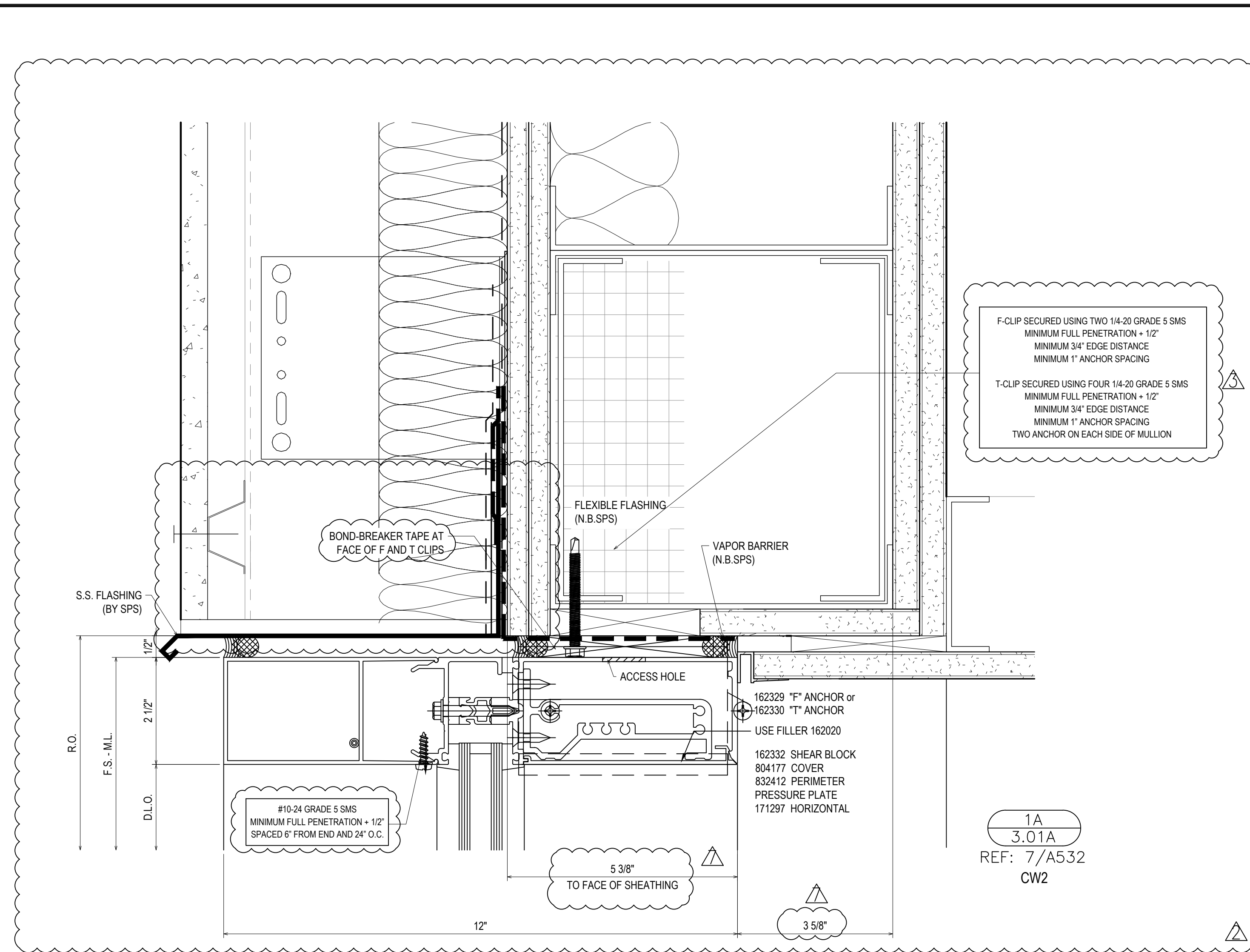
REVISIONS	BY
5/19/21	CW
6/8/21	CW
6/15/21	CW
8/6/21	CW
8/26/21	CW
9/16/21	CW

VCU MONROE PARK CAMPUS STEM FACILITY
 RICHMOND, VIRGINIA
 ARCHITECT: BALLINGER
 CUSTOMER: SPS CORPORATION

SPS Corporation
 Fort Wayne, Indiana Raleigh, North Carolina
 Indianapolis, Indiana Charlotte, North Carolina



Drawn By
DJ
 Date Drawn
2/4/21
 Checked By
LW
 Date Checked
2/4/21
 Scale
6" = 1'-0"
 File No.
xxxx-xx
 Job Name
VCU STERN
 SHEET



REVISIONS	BY
△	5/19/21 CW
△	6/8/21 CW
△	6/15/21 CW
△	8/6/21 CW
△	8/26/21 CW
△	9/16/21 CW

VCU MONROE PARK CAMPUS STEM FACILITY

RICHMOND, VIRGINIA

ARCHITECT: BALLINGER

CUSTOMER: SPS CORPORATION

SPS Corporation

Fort Wayne, Indiana Raleigh, North Carolina
Indianapolis, Indiana Charlotte, North Carolina

Drawn By DJ

Date Drawn 2/4/21

Checked By LW

Date Checked 2/4/21

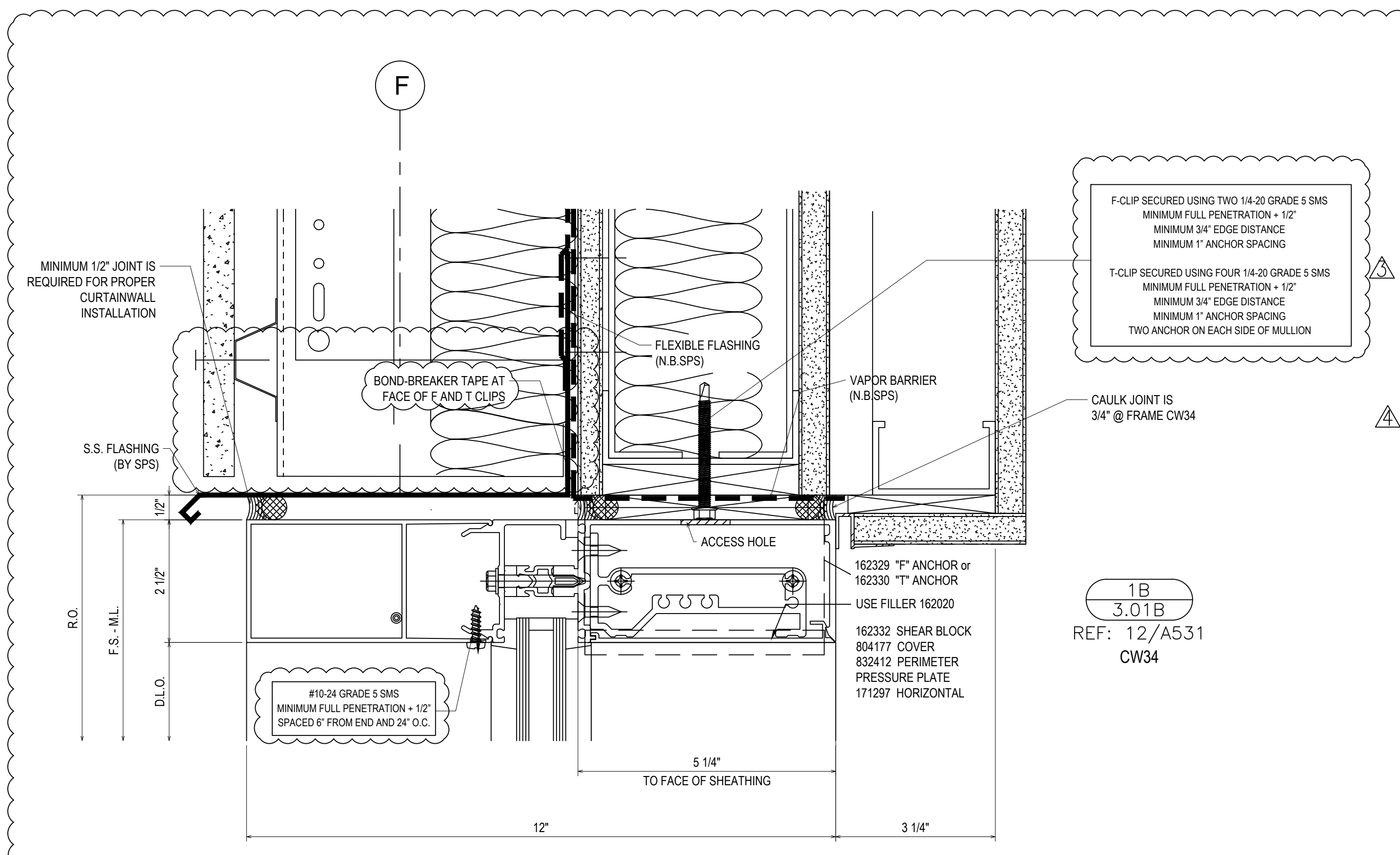
Scale 6" = 1'-0"

File No. xxxx-xx

Job Name VCU STERN

SHEET

3.01A

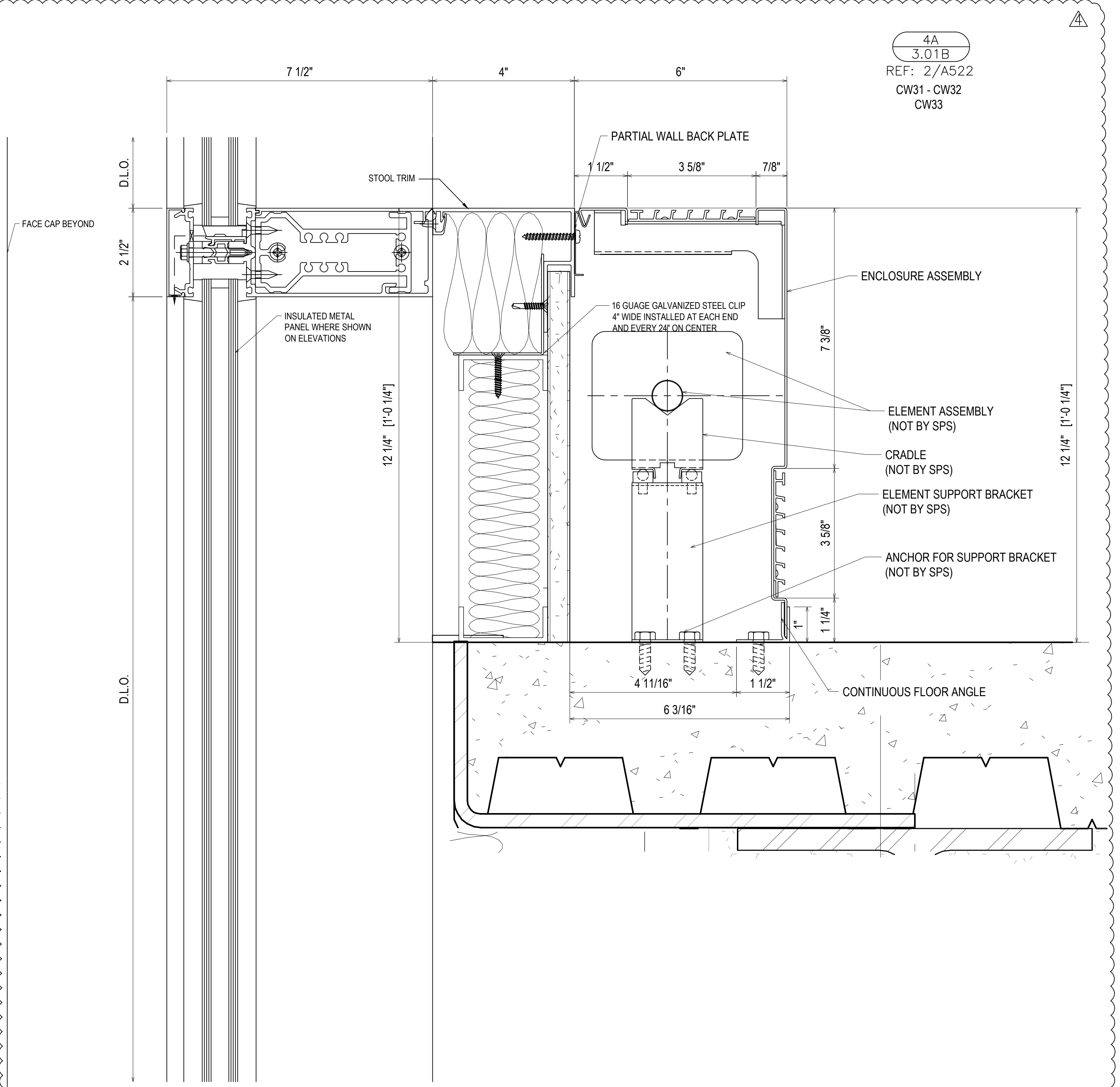


F-CLIP SECURED USING TWO 1/4-20 GRADE 5 SMS
MINIMUM FULL PENETRATION + 1/2"
MINIMUM 3/4" EDGE DISTANCE
MINIMUM 1" ANCHOR SPACING

T-CLIP SECURED USING FOUR 1/4-20 GRADE 5 SMS
MINIMUM FULL PENETRATION + 1/2"
MINIMUM 3/4" EDGE DISTANCE
MINIMUM 1" ANCHOR SPACING
TWO ANCHOR ON EACH SIDE OF MULLION

1B
3.01B
REF: 12/A531
CW34

GENERAL INSTALLATION NOTE (TYPICAL ALL DETAILS):
SEAL HEADS OF ALL FASTENERS WITHIN THE GLAZING POCKET



REVISIONS	BY
△	5/19/21 CW
△	6/8/21 CW
△	6/15/21 CW
△	8/6/21 CW
△	8/26/21 CW
△	9/16/21 CW

VCU MONROE PARK CAMPUS STEM FACILITY

RICHMOND, VIRGINIA

ARCHITECT: BALLINGER

CUSTOMER: SPS CORPORATION

SPS Corporation

Fort Wayne, Indiana Raleigh, North Carolina
Indianapolis, Indiana Charlotte, North Carolina

Drawn By
DJ

Date Drawn
2/4/21

Checked By
LW

Date Checked
2/4/21

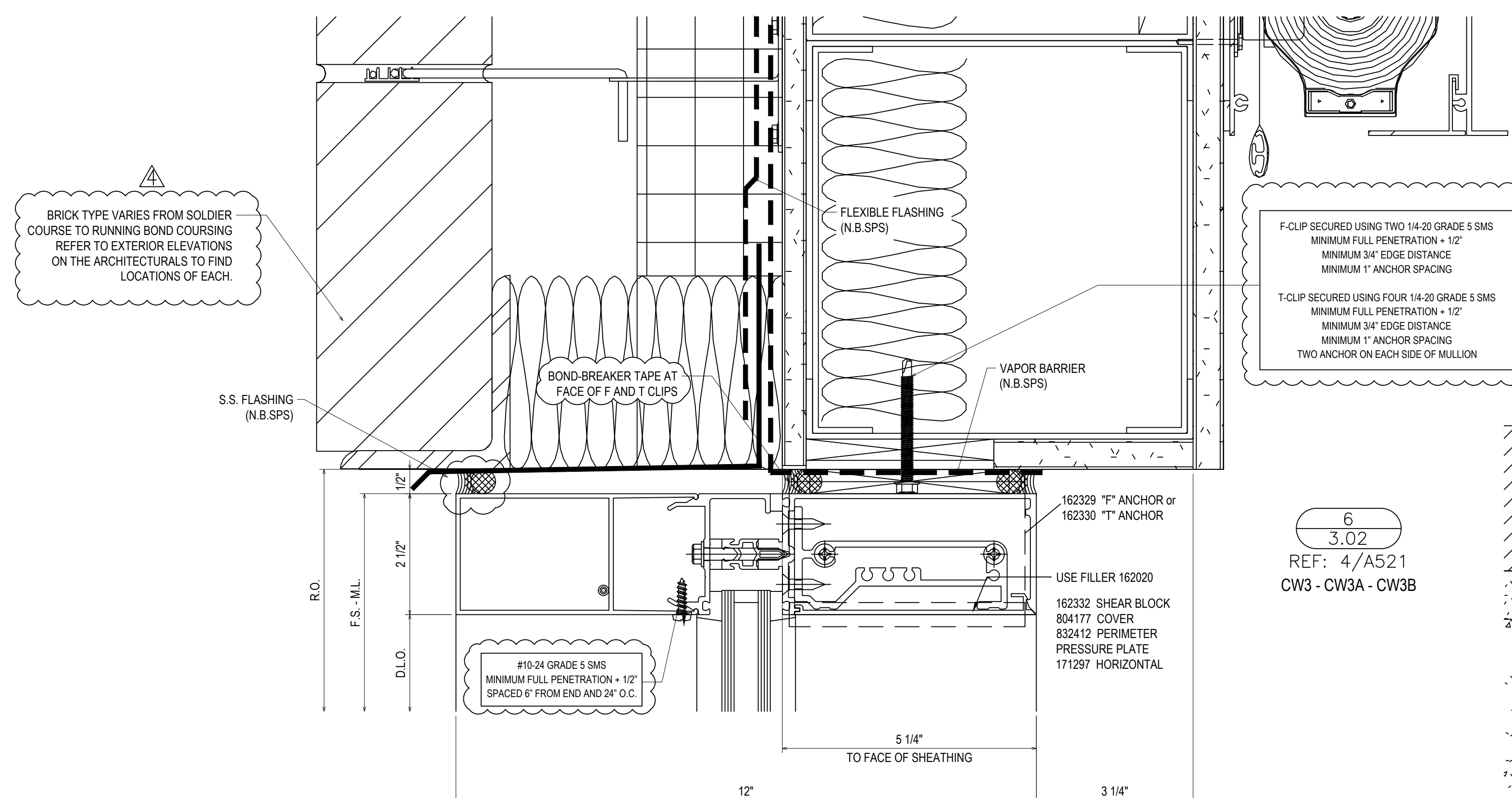
Scale
6" = 1'-0"

File No.
xxxx-xx

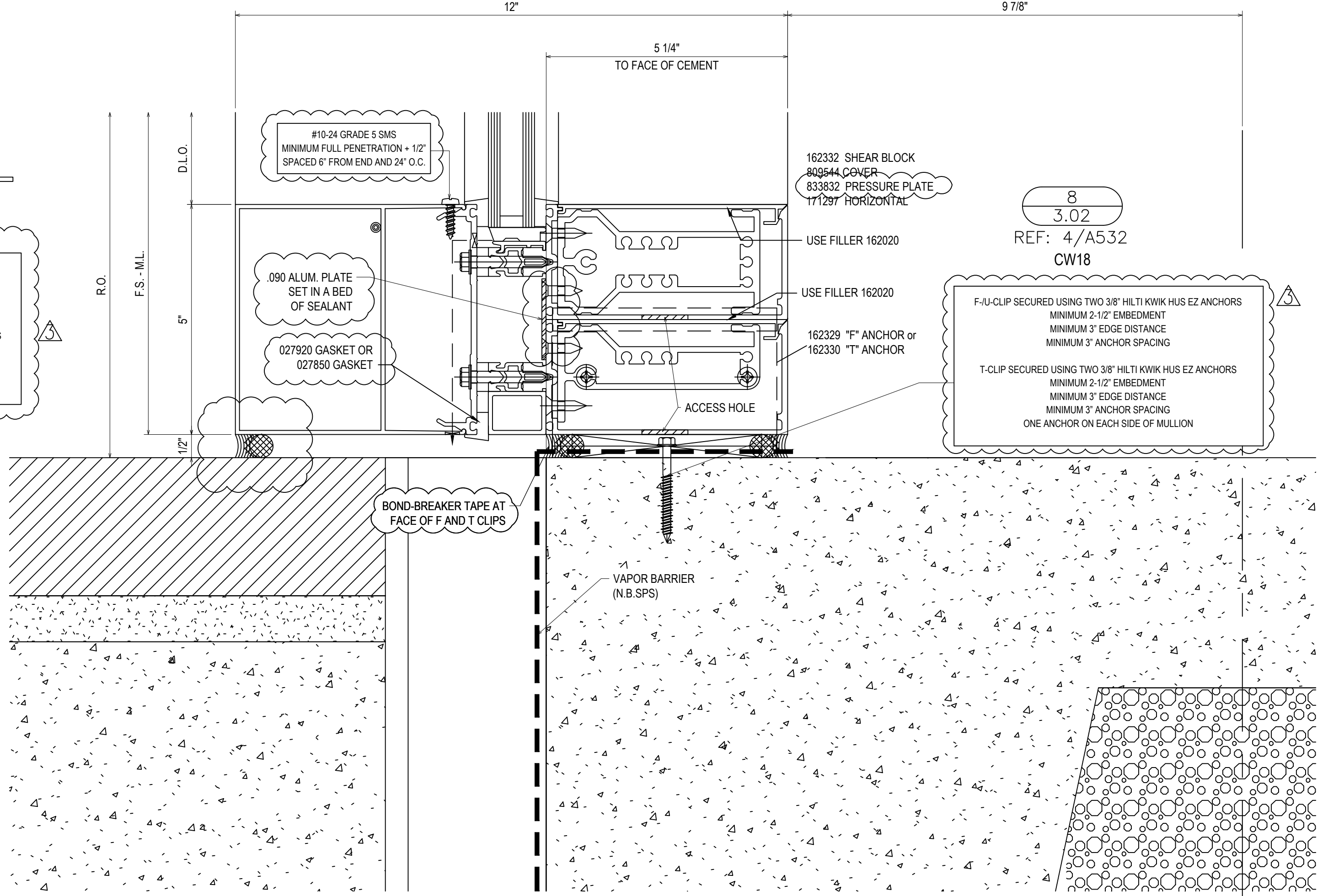
Job Name
VCU STERN

SHEET

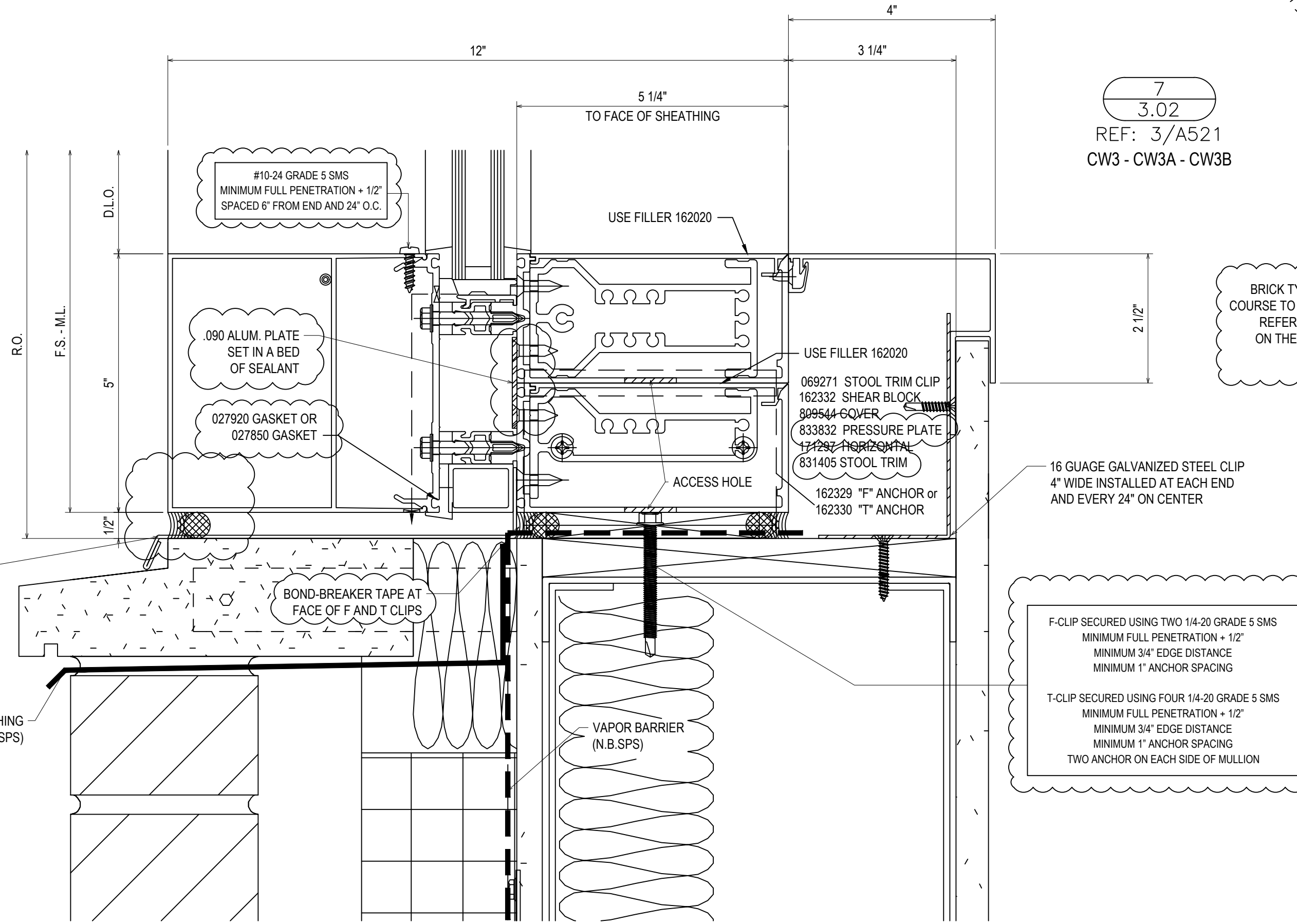
3.01B



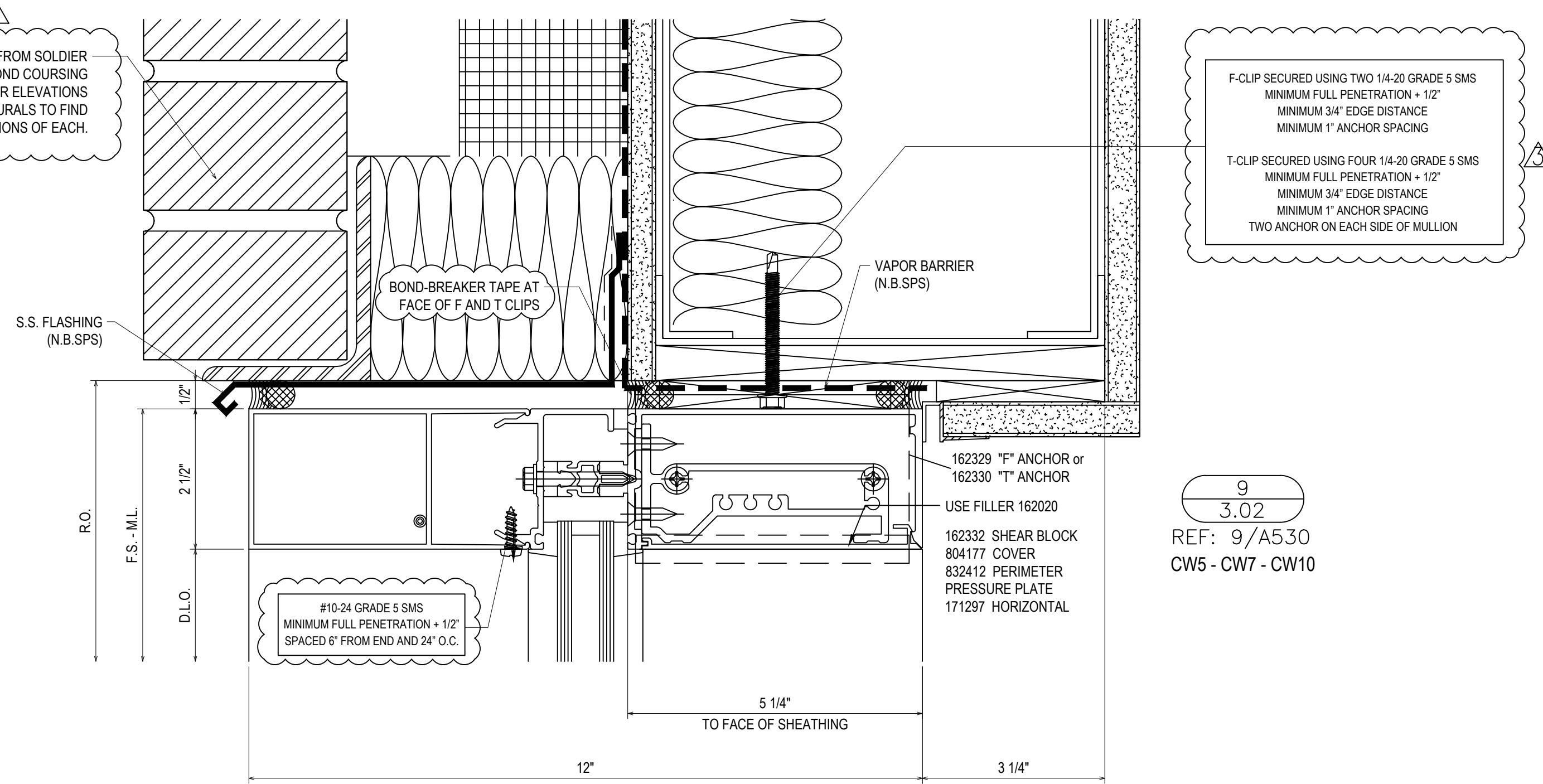
6
3.02
REF: 4/A521
CW3 - CW3A - CW3B



8
3.02
REF: 4/A532
CW18



7
3.02
REF: 3/A521
CW3 - CW3A - CW3B



9
3.02
REF: 9/A530
CW5 - CW7 - CW10

GENERAL INSTALLATION NOTE (TYPICAL ALL DETAILS):
SEAL HEADS OF ALL FASTENERS WITHIN THE GLAZING POCKET

BRICK TYPE VARIES FROM SOLDIER COURSE TO RUNNING BOND COURSE REFER TO EXTERIOR ELEVATIONS ON THE ARCHITECTURALS TO FIND LOCATIONS OF EACH.

BRICK TYPE VARIES FROM SOLDIER COURSE TO RUNNING BOND COURSE REFER TO EXTERIOR ELEVATIONS ON THE ARCHITECTURALS TO FIND LOCATIONS OF EACH.

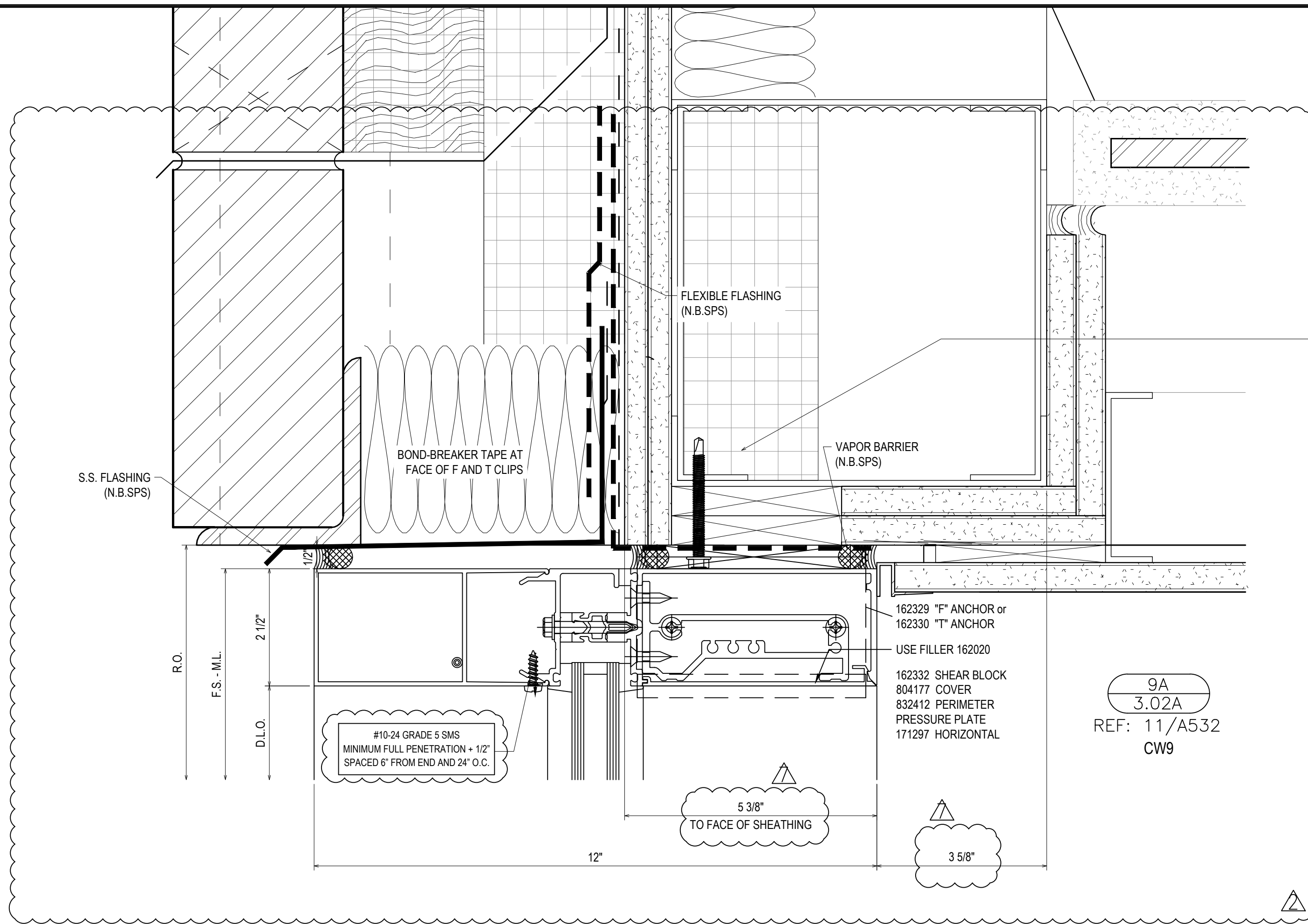
REVISIONS	BY
5/19/21	CW
6/8/21	CW
6/15/21	CW
8/6/21	CW
8/26/21	CW
9/16/21	CW

VCU MONROE PARK CAMPUS STEM FACILITY
RICHMOND, VIRGINIA
ARCHITECT: BALLINGER
CUSTOMER: SPS CORPORATION

SPS Corporation
Fort Wayne, Indiana Raleigh, North Carolina
Indianapolis, Indiana Charlotte, North Carolina

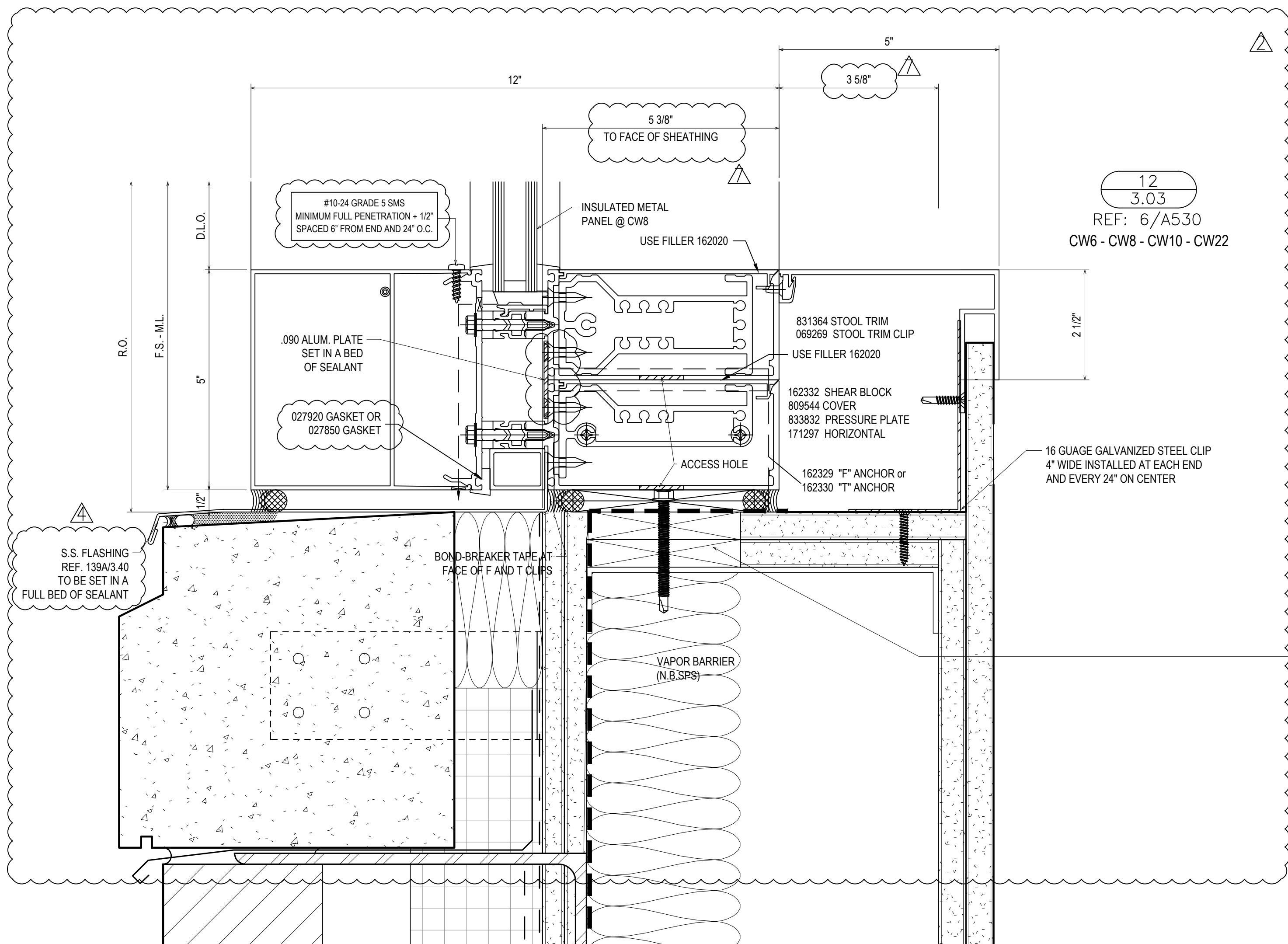
Drawn By DJ
Date Drawn 2/4/21
Checked By LW
Date Checked 2/4/21
Scale 6" = 1'-0"
File No. xxxx-xx
Job Name VCU STERN
SHEET

GENERAL INSTALLATION NOTE (TYPICAL ALL DETAILS):
SEAL HEADS OF ALL FASTENERS WITHIN THE GLAZING POCKET



F-CLIP SECURED USING TWO 14-20 GRADE 5 SMS
MINIMUM FULL PENETRATION + 1/2"
MINIMUM 3/4" EDGE DISTANCE
MINIMUM 1" ANCHOR SPACING

T-CLIP SECURED USING FOUR 14-20 GRADE 5 SMS
MINIMUM FULL PENETRATION + 1/2"
MINIMUM 3/4" EDGE DISTANCE
MINIMUM 1" ANCHOR SPACING
TWO ANCHOR ON EACH SIDE OF MULLION



F-CLIP SECURED USING TWO 14-20 GRADE 5 SMS
MINIMUM FULL PENETRATION + 1/2"
MINIMUM 3/4" EDGE DISTANCE
MINIMUM 1" ANCHOR SPACING

T-CLIP SECURED USING FOUR 14-20 GRADE 5 SMS
MINIMUM FULL PENETRATION + 1/2"
MINIMUM 3/4" EDGE DISTANCE
MINIMUM 1" ANCHOR SPACING
TWO ANCHOR ON EACH SIDE OF MULLION

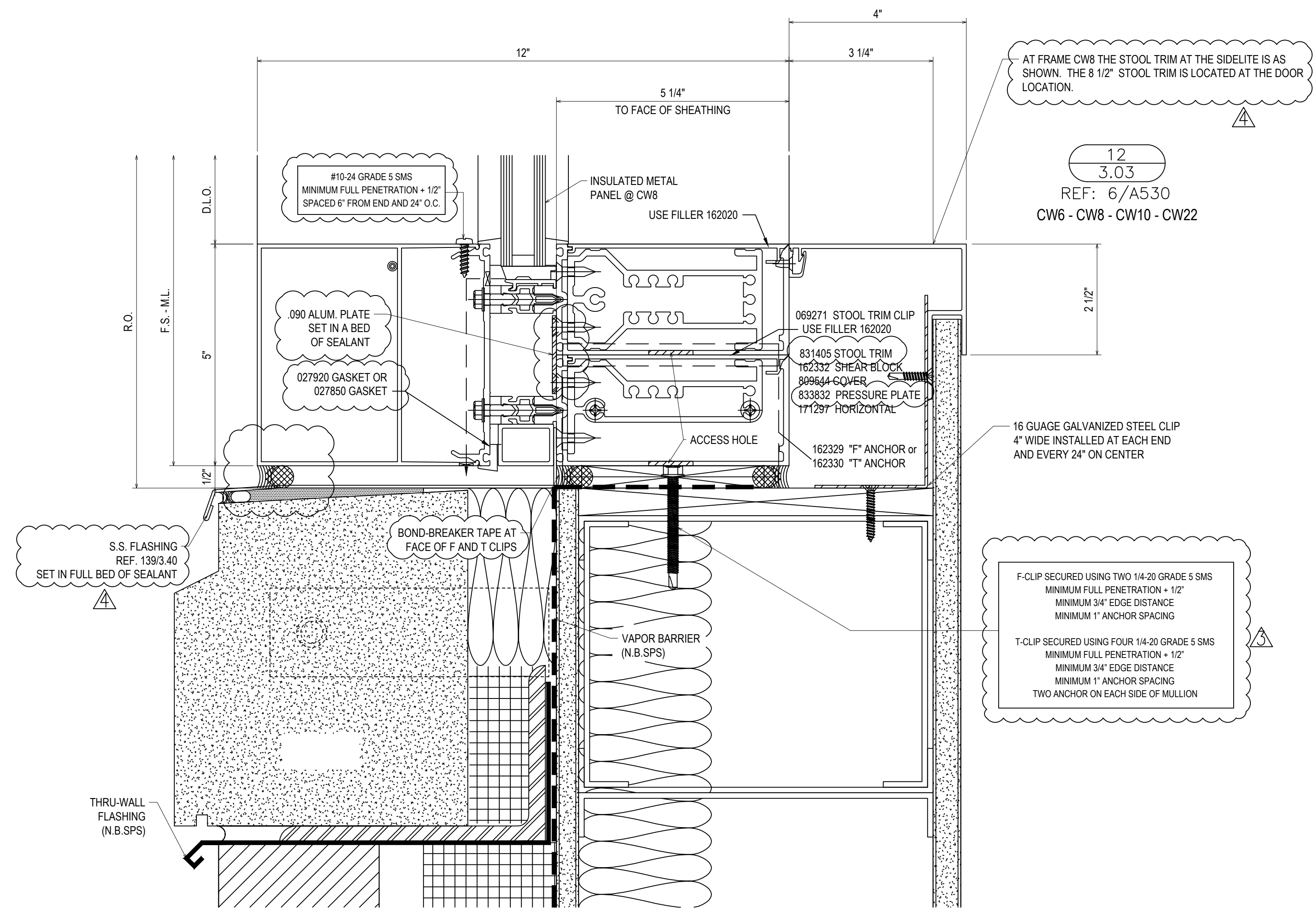
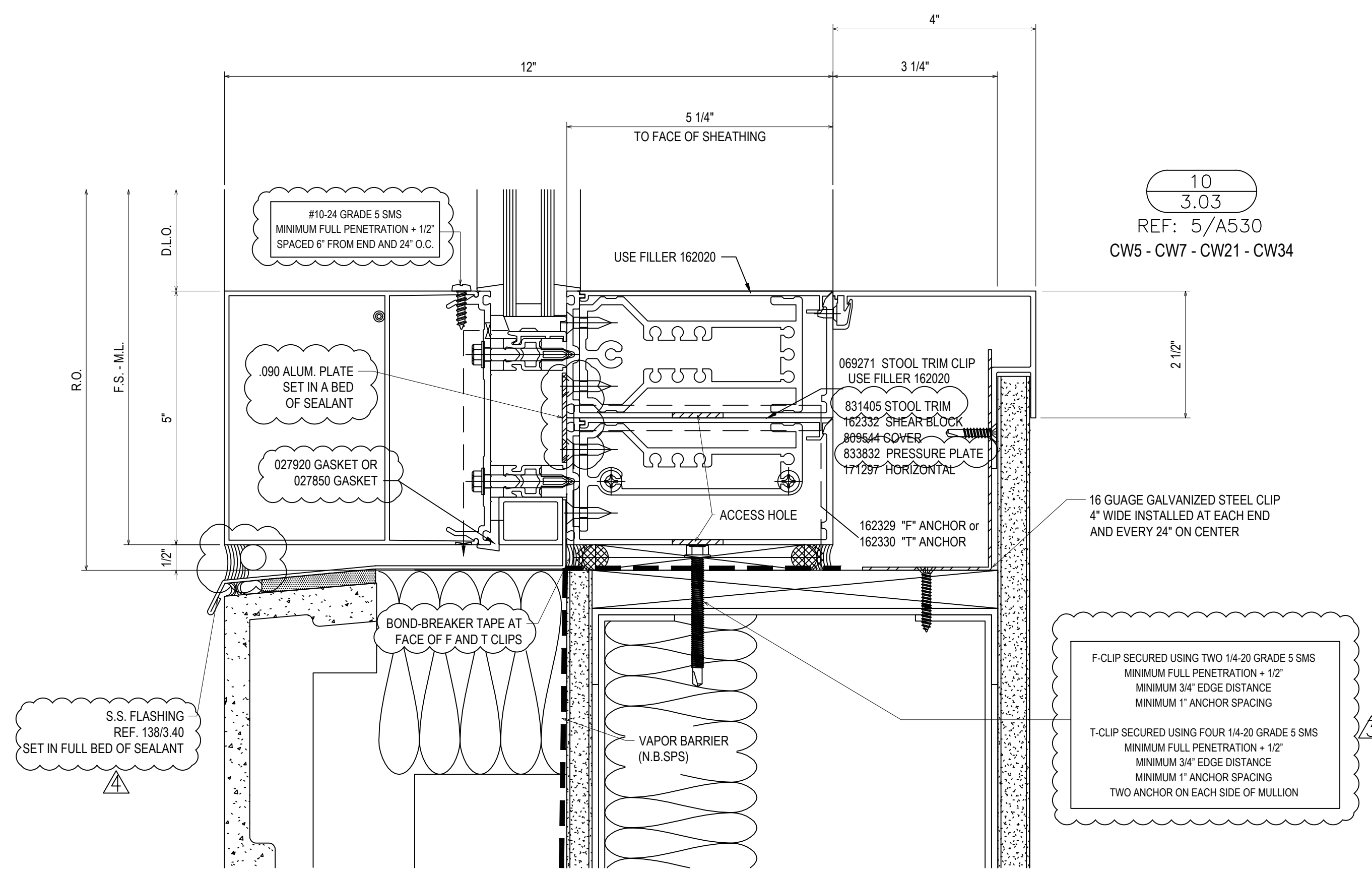
REVISIONS	BY
△ 5/19/21	CW
△ 6/8/21	CW
△ 6/15/21	CW
△ 8/6/21	CW
△ 8/26/21	CW
△ 9/16/21	CW

VCU MONROE PARK CAMPUS STEM FACILITY
RICHMOND, VIRGINIA
ARCHITECT: BALLINGER
CUSTOMER: SPS CORPORATION

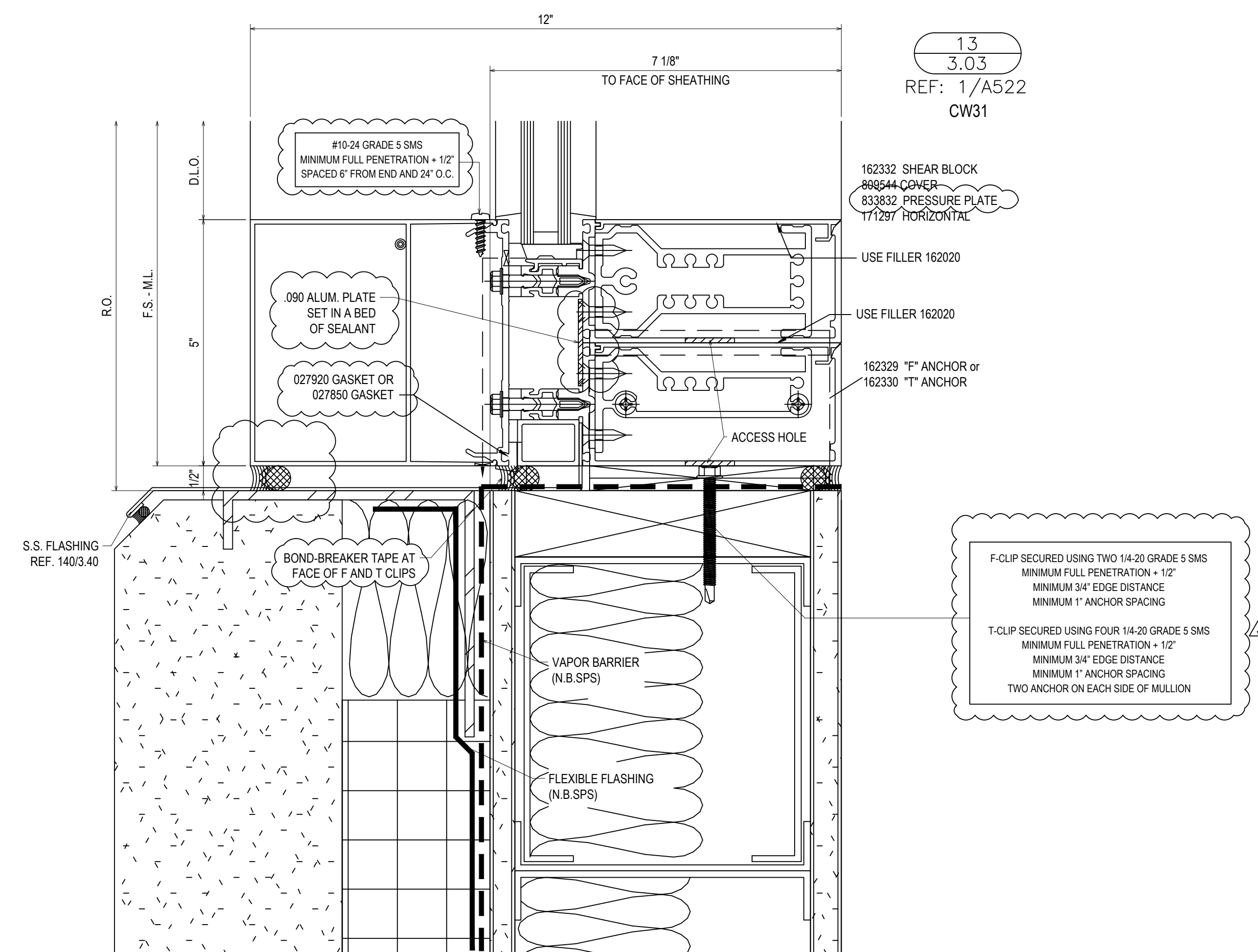
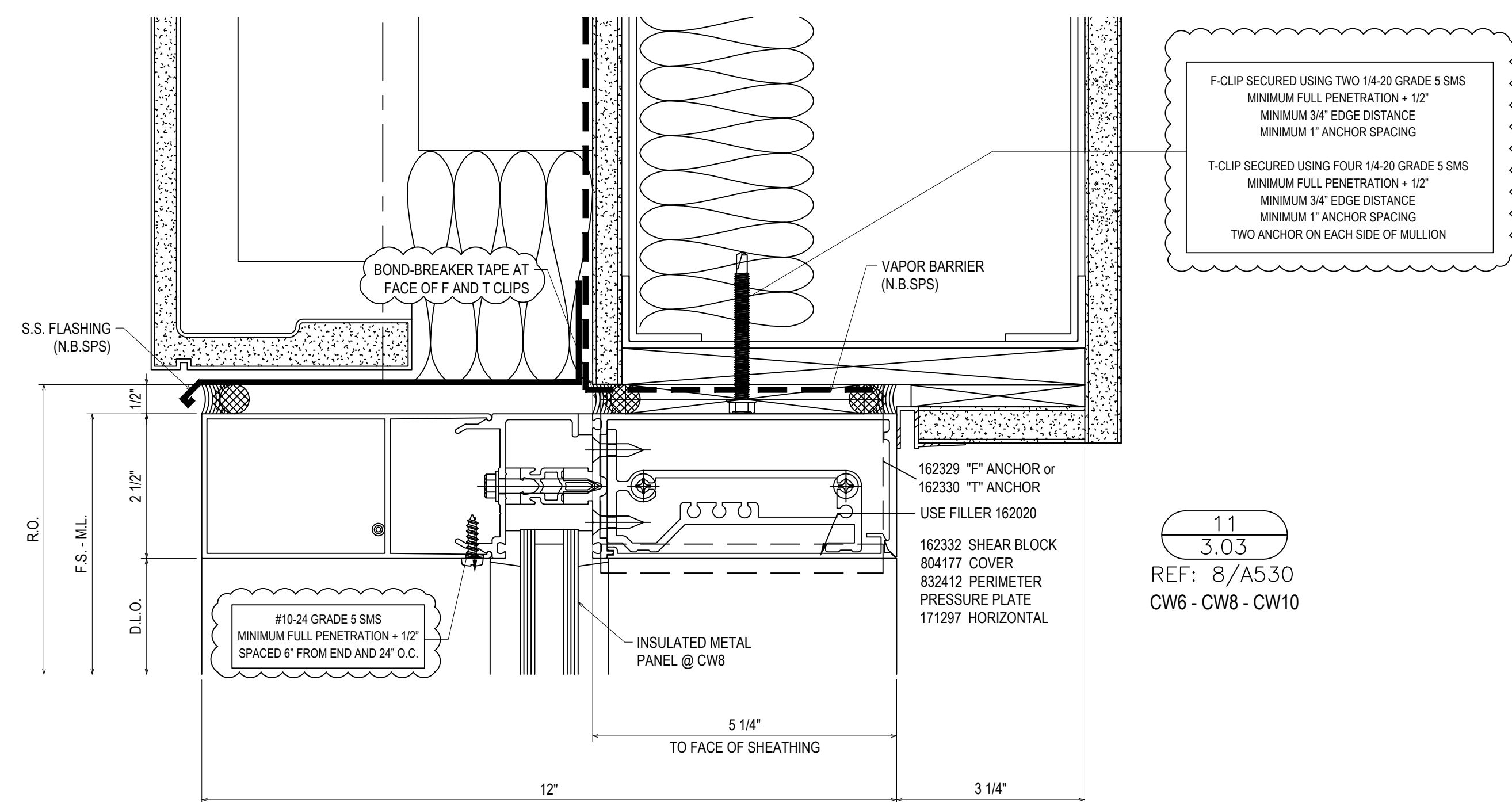
SPS Corporation
Fort Wayne, Indiana Raleigh, North Carolina
Indianapolis, Indiana Charlotte, North Carolina

Drawn By DJ
Date Drawn 2/4/21
Checked By LW
Date Checked 2/4/21
Scale 6" = 1'-0"
File No. xxxx-xx
Job Name VCU STERN
SHEET

3.02A



GENERAL INSTALLATION NOTE (TYPICAL ALL DETAILS):
SEAL HEADS OF ALL FASTENERS WITHIN THE GLAZING POCKET



REVISIONS	BY
△	5/19/21 CW
△	6/8/21 CW
△	6/15/21 CW
△	8/6/21 CW
△	8/26/21 CW
△	9/16/21 CW

VCU MONROE PARK CAMPUS STEM FACILITY

RICHMOND, VIRGINIA

ARCHITECT: BALLINGER

CUSTOMER: SPS CORPORATION

SPS Corporation

Fort Wayne, Indiana Raleigh, North Carolina
Indianapolis, Indiana Charlotte, North Carolina

Drawn By
DJ

Date Drawn
2/4/21

Checked By
LW

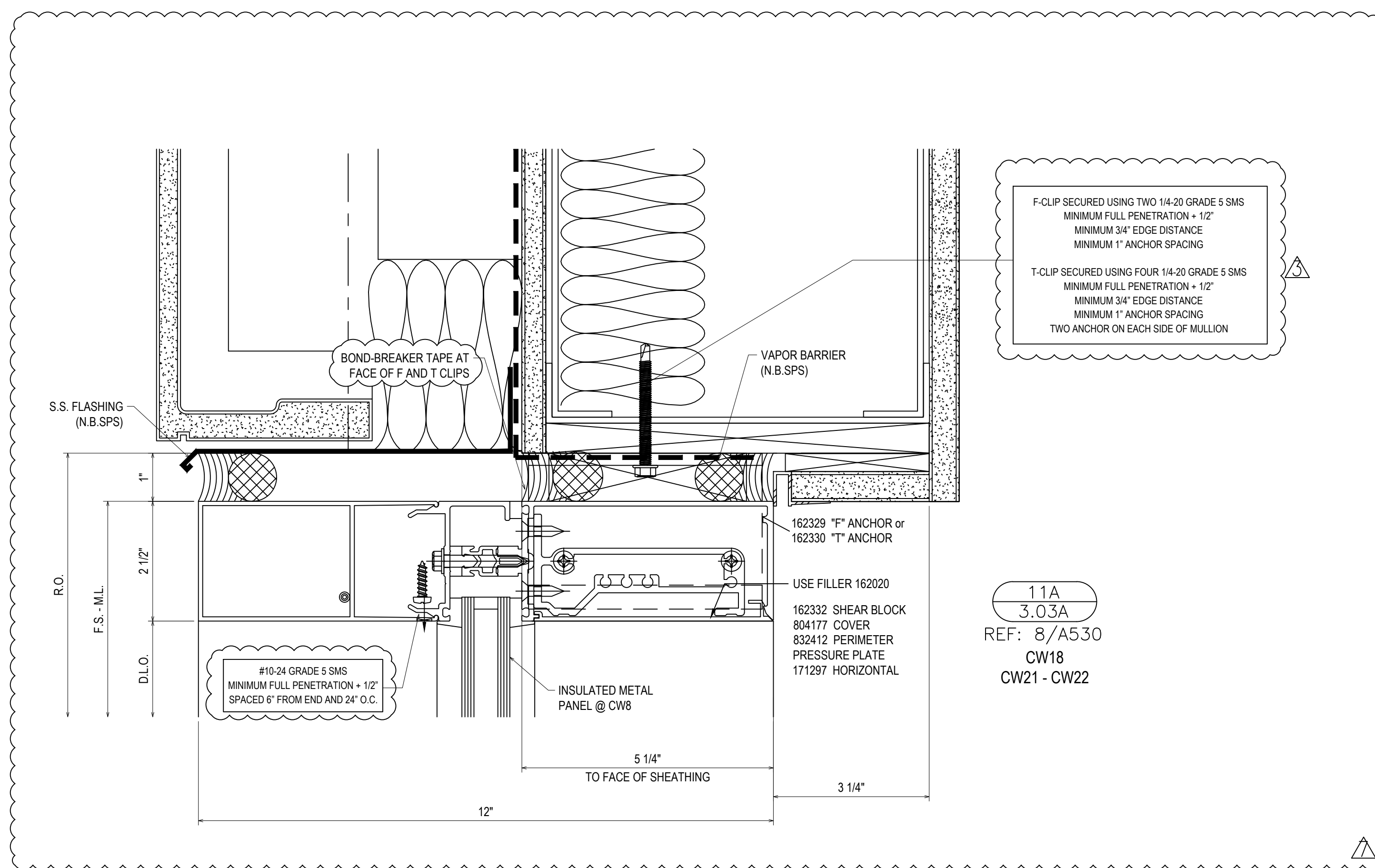
Date Checked
2/4/21

Scale
6" = 1'-0"

File No.
xxxx-xx

Job Name
VCU STERN

SHEET



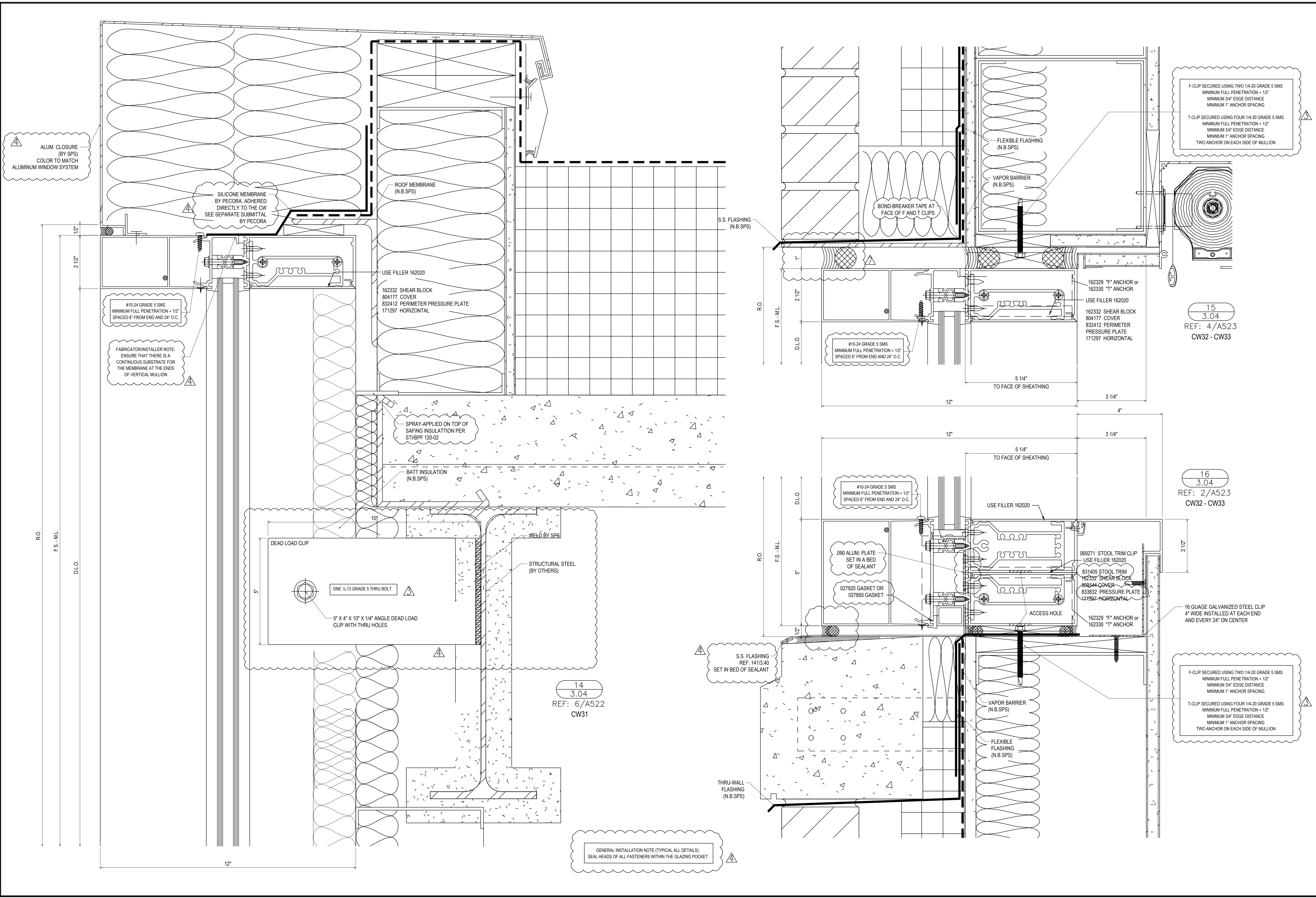
REVISIONS	BY
△	5/19/21 CW
△	6/8/21 CW
△	6/15/21 CW
△	8/6/21 CW
△	8/26/21 CW
△	9/16/21 CW

VCU MONROE PARK CAMPUS STEM FACILITY
 RICHMOND, VIRGINIA
 ARCHITECT: BALLINGER
 CUSTOMER: SPS CORPORATION

SPS Corporation
 Fort Wayne, Indiana Raleigh, North Carolina
 Indianapolis, Indiana Charlotte, North Carolina

Drawn By	DJ
Date Drawn	2/4/21
Checked By	LW
Date Checked	2/4/21
Scale	6" = 1'-0"
File No.	xxxx-xx
Job Name	VCU STERN
SHEET	

3.03A



REVISIONS	BY
△ 5/19/21	CW
△ 6/8/21	CW
△ 6/15/21	CW
△ 8/6/21	CW
△ 8/26/21	CW
△ 9/16/21	CW

VCU MONROE PARK CAMPUS STEM FACILITY

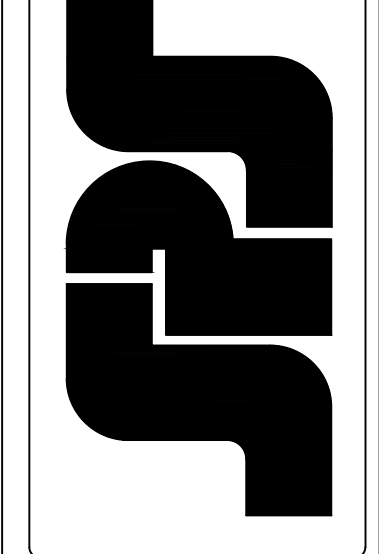
RICHMOND, VIRGINIA

ARCHITECT: BALLINGER

CUSTOMER: SPS CORPORATION

SPS Corporation

Fort Wayne, Indiana Raleigh, North Carolina
Indianapolis, Indiana Charlotte, North Carolina



Drawn By
DJ

Date Drawn
2/4/21

Checked By
LW

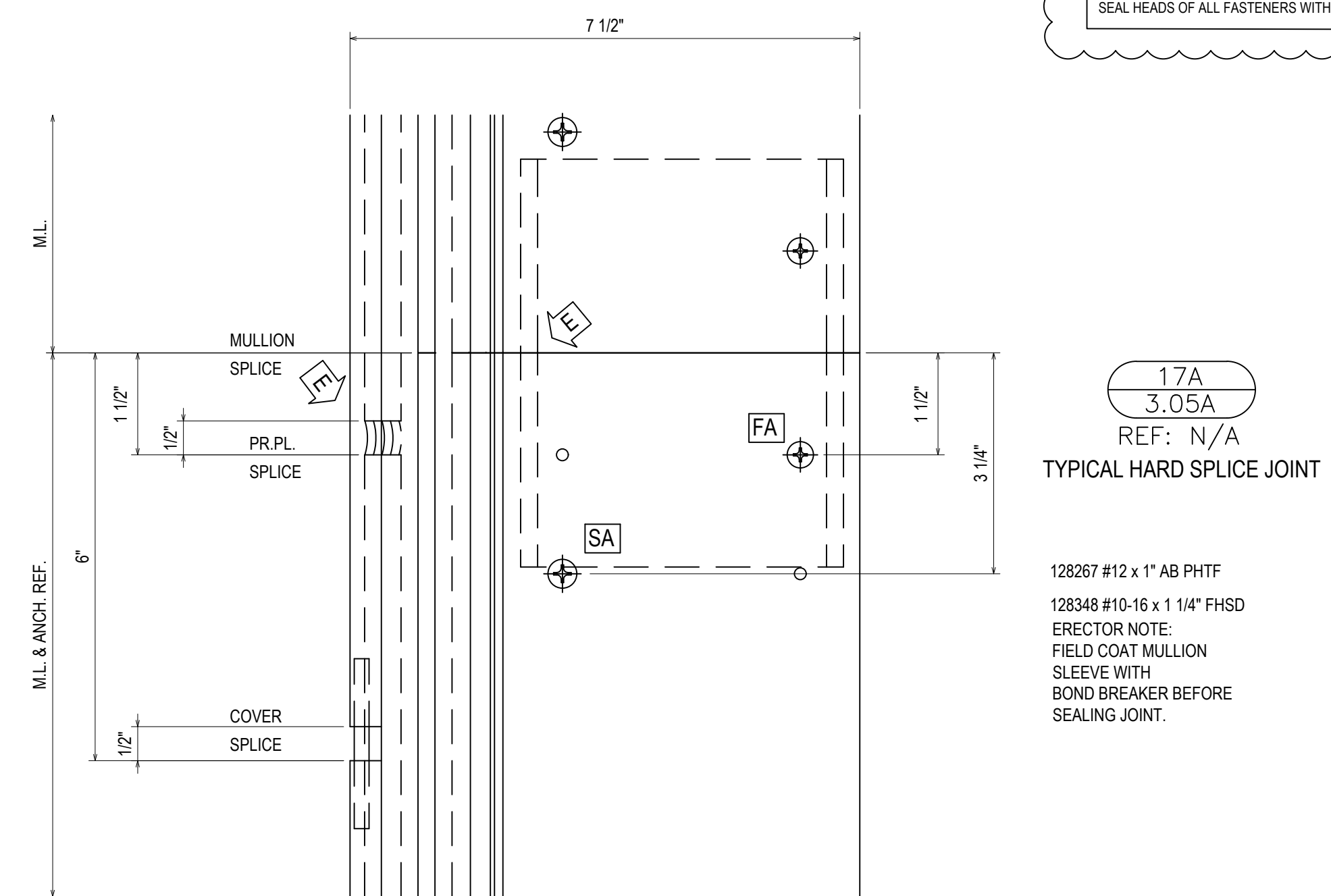
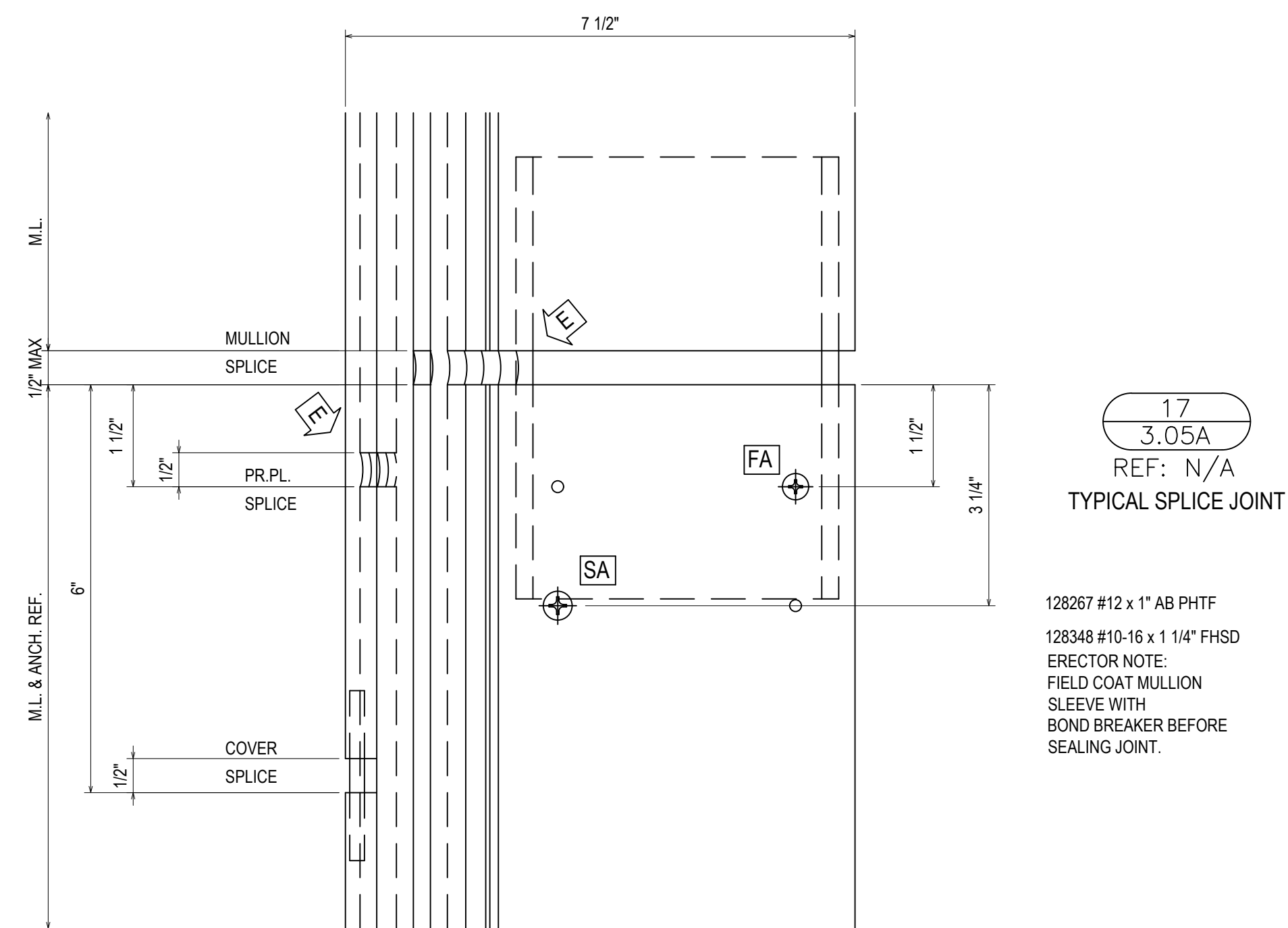
Date Checked
2/4/21

Scale
6" = 1'-0"

File No.
xxxx-xx

Job Name
VCU STERN

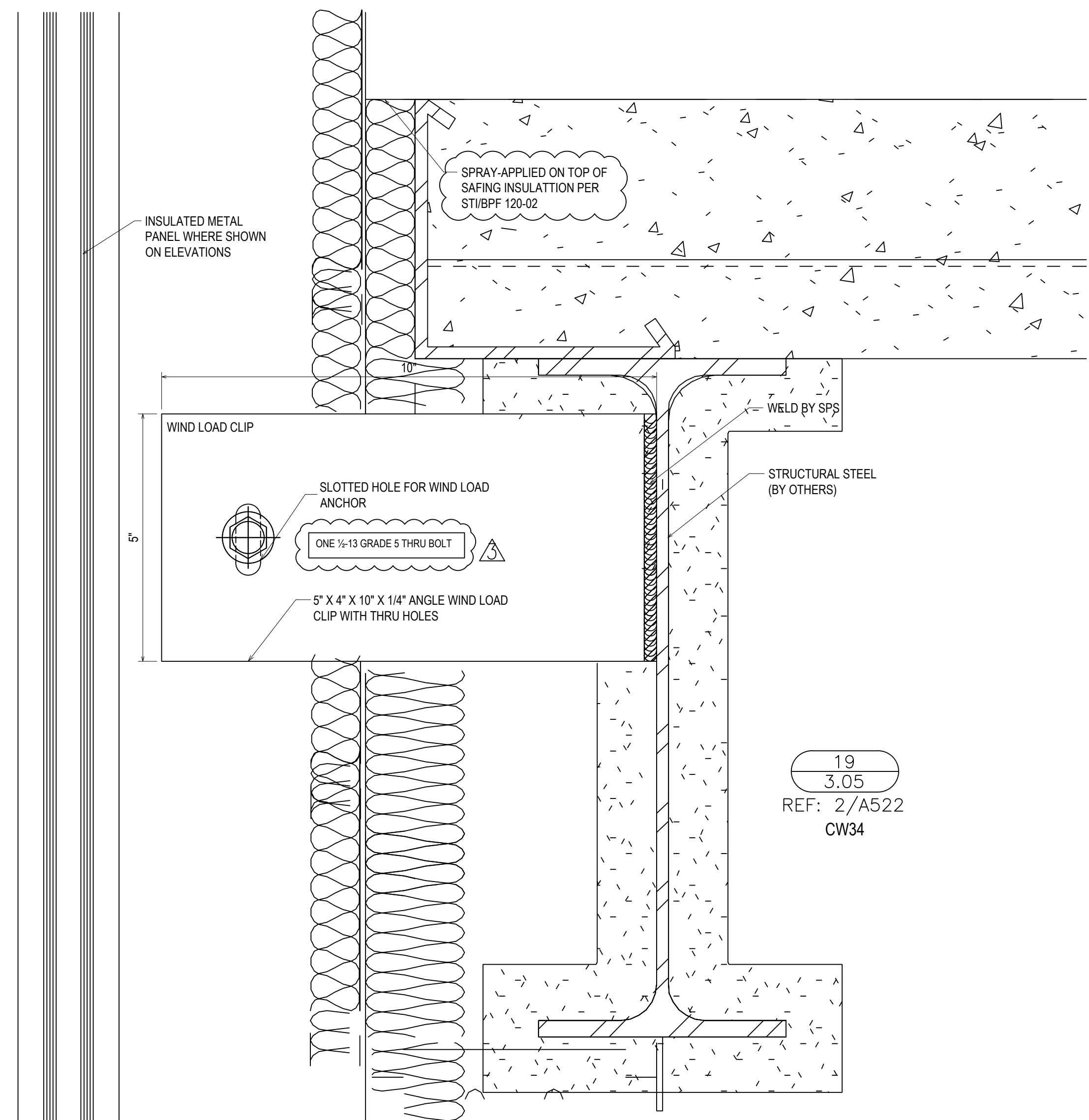
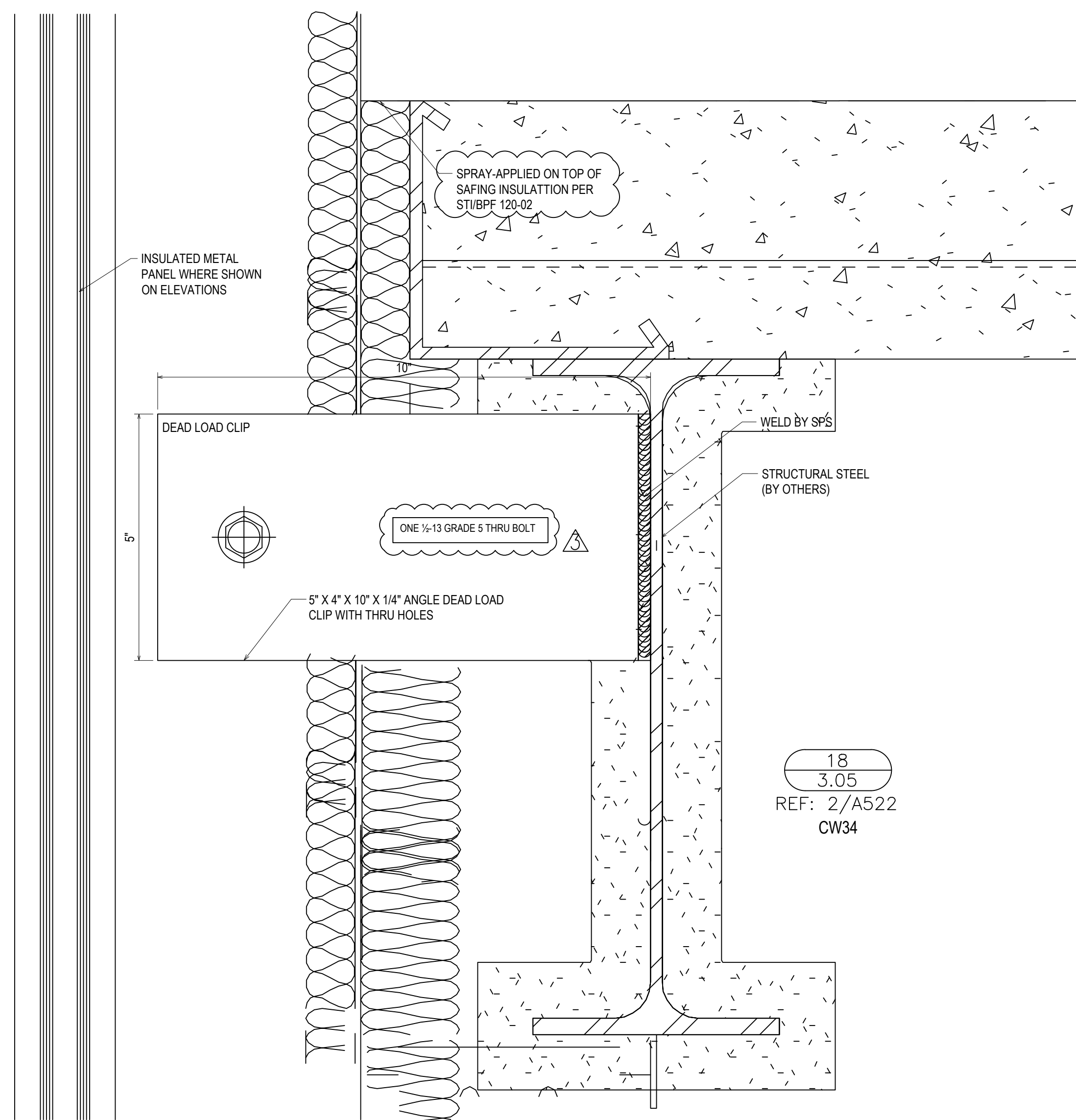
SHEET



GENERAL INSTALLATION NOTE (TYPICAL ALL DETAILS):
SEAL HEADS OF ALL FASTENERS WITHIN THE GLAZING POCKET

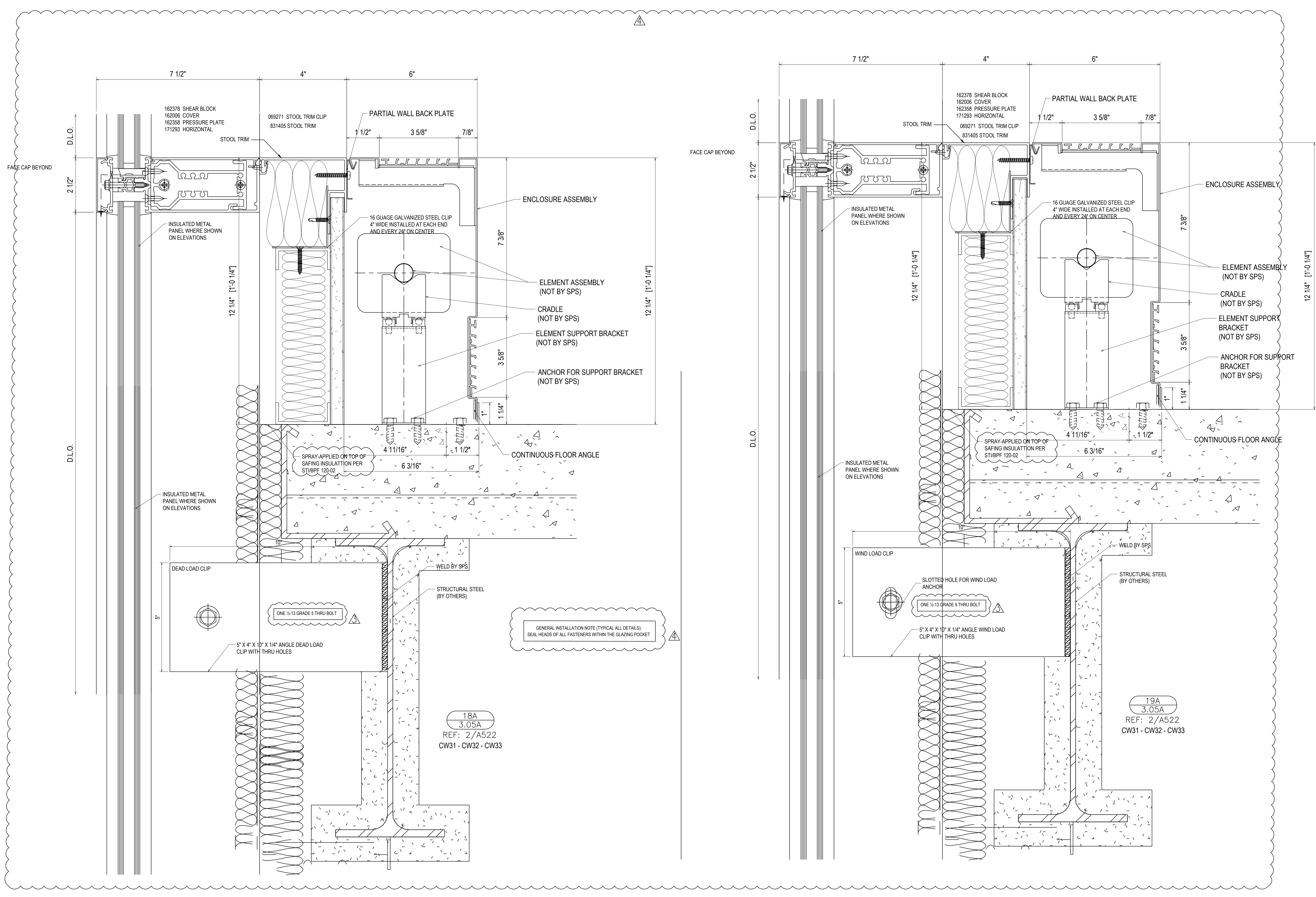
REVISIONS	BY
△	5/19/21 CW
△	6/8/21 CW
△	6/15/21 CW
△	8/6/21 CW
△	8/26/21 CW
△	9/16/21 CW

VCU MONROE PARK CAMPUS STEM FACILITY
RICHMOND, VIRGINIA
ARCHITECT: BALLINGER
CUSTOMER: SPS CORPORATION



SPS Corporation
Fort Wayne, Indiana Raleigh, North Carolina
Indianapolis, Indiana Charlotte, North Carolina

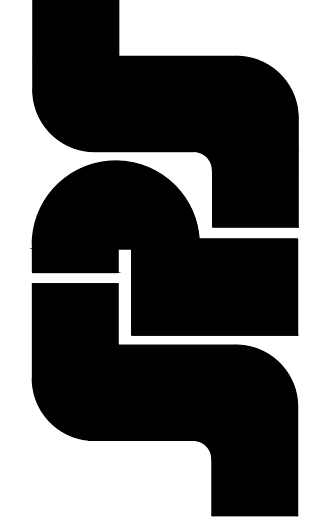
Drawn By DJ
Date Drawn 2/4/21
Checked By LW
Date Checked 2/4/21
Scale 6" = 1'-0"
File No. xxxx-xx
Job Name VCU STERN
SHEET



REVISIONS	BY
5/19/21	CW
6/8/21	CW
6/15/21	CW
8/6/21	CW
8/26/21	CW
9/16/21	CW

VCU MONROE PARK CAMPUS STEM FACILITY
 RICHMOND, VIRGINIA
 ARCHITECT: BALLINGER
 CUSTOMER: SPS CORPORATION

SPS Corporation
 Fort Wayne, Indiana Raleigh, North Carolina
 Indianapolis, Indiana Charlotte, North Carolina

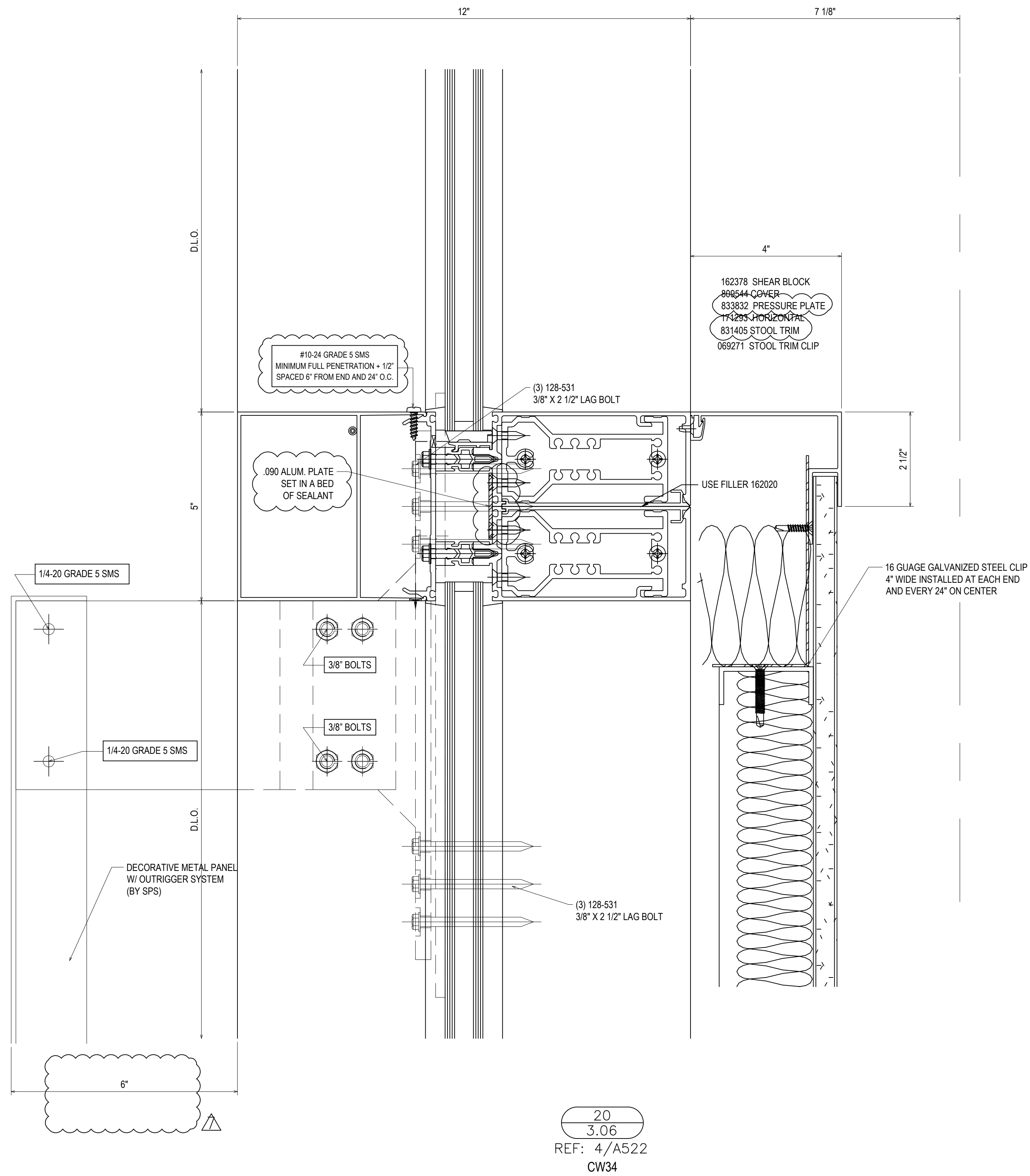


Drawn By	DJ
Date Drawn	2/4/21
Checked By	LW
Date Checked	2/4/21
Scale	6" = 1'-0"
File No.	xxxx-xx
Job Name	VCU STERN
SHEET	

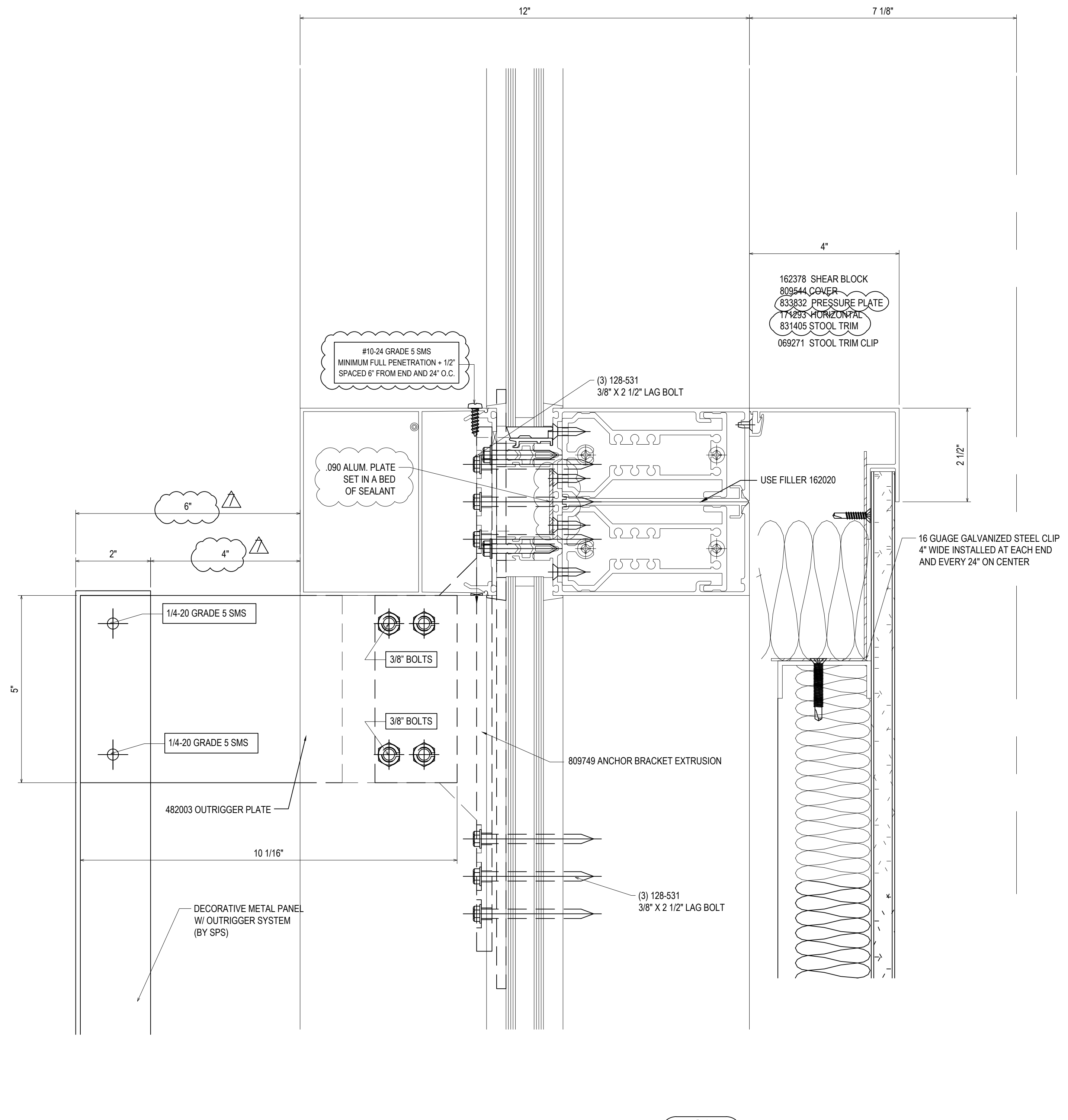
3.05A

GENERAL INSTALLATION NOTE (TYPICAL ALL DETAILS):
SEAL HEADS OF ALL FASTENERS WITHIN THE GLAZING POCKET

REVISIONS	BY
△	5/19/21 CW
△	6/8/21 CW
△	6/15/21 CW
△	8/6/21 CW
△	8/26/21 CW
△	9/16/21 CW



20
3.06
REF: 4/A522
CW34



21
3.06
REF: 4/A522
CW34

VCU MONROE PARK CAMPUS STEM FACILITY

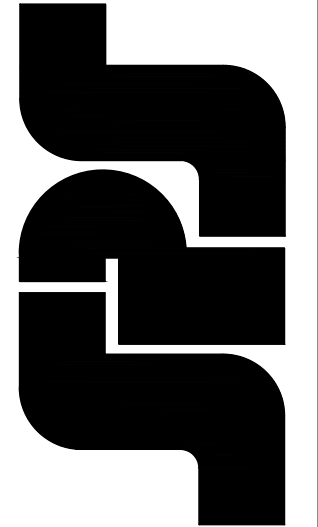
RICHMOND, VIRGINIA

ARCHITECT: BALLINGER

CUSTOMER: SPS CORPORATION

SPS Corporation

Fort Wayne, Indiana Raleigh, North Carolina
Indianapolis, Indiana Charlotte, North Carolina

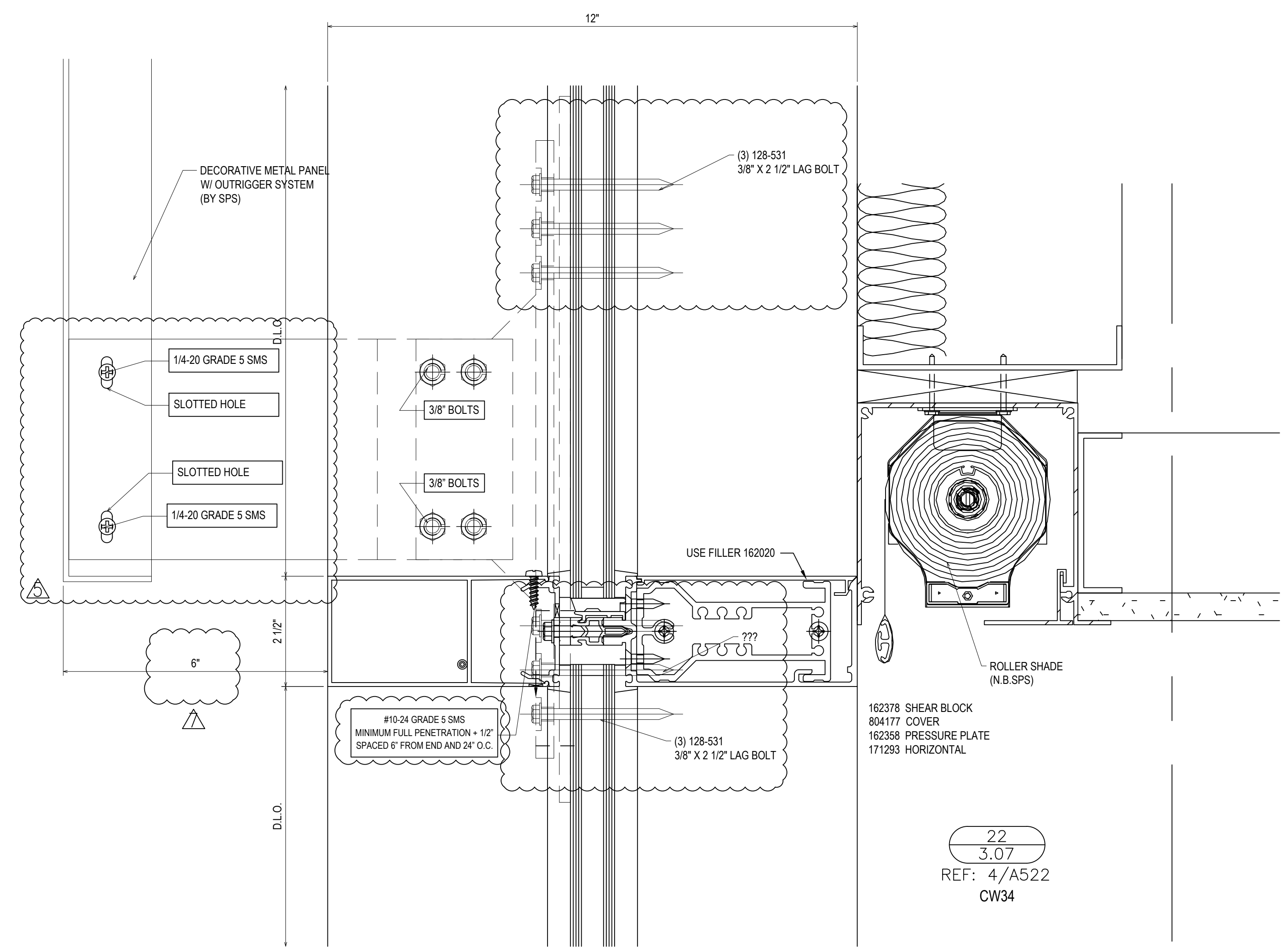


Drawn By	DJ
Date Drawn	2/4/21
Checked By	LW
Date Checked	2/4/21
Scale	6" = 1'-0"
File No.	xxxx-xx
Job Name	VCU STERN
SHEET	

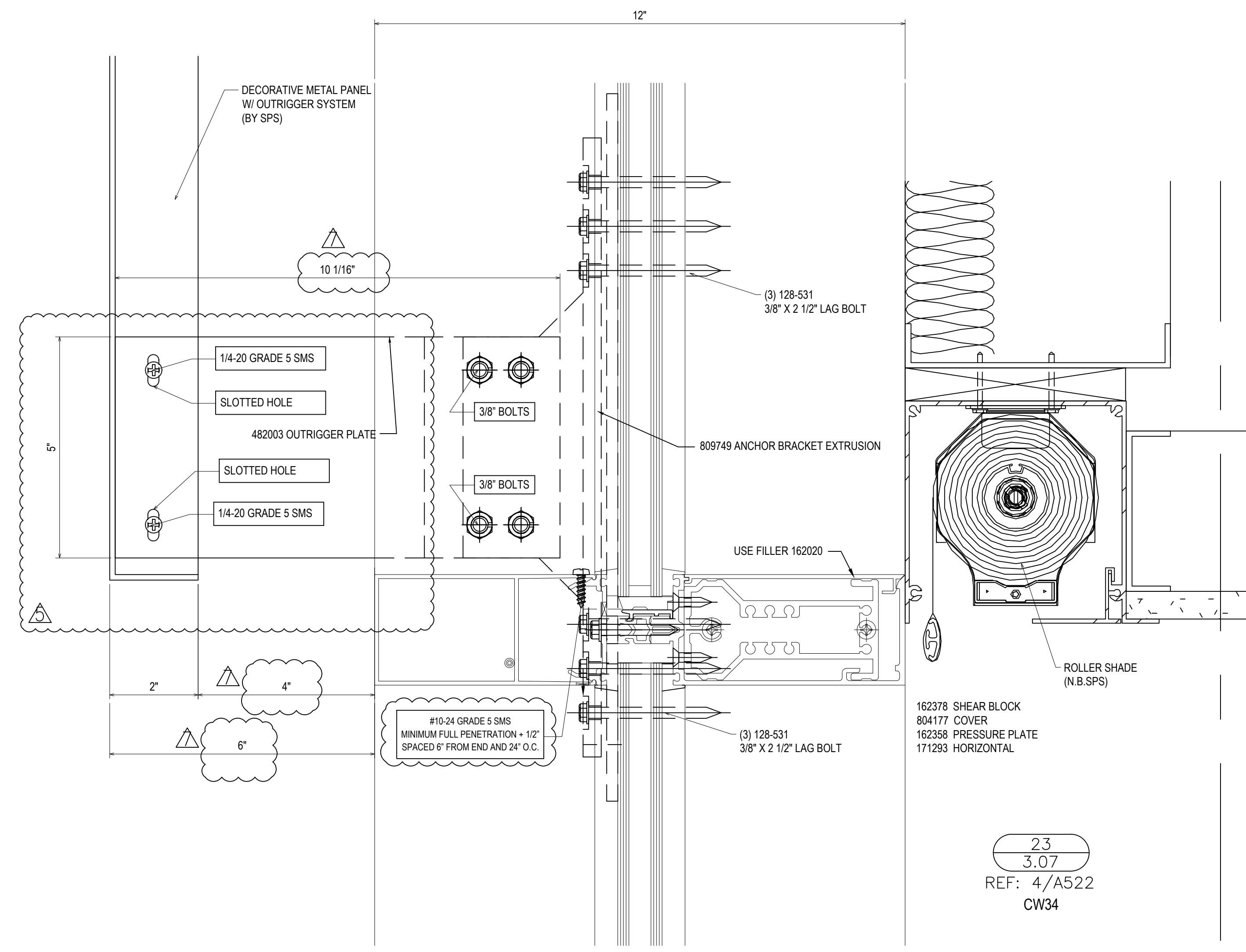
3.06

GENERAL INSTALLATION NOTE (TYPICAL ALL DETAILS):
SEAL HEADS OF ALL FASTENERS WITHIN THE GLAZING POCKET

REVISIONS	BY
△ 5/19/21	CW
△ 6/8/21	CW
△ 6/15/21	CW
△ 8/6/21	CW
△ 8/26/21	CW
△ 9/16/21	CW



22
3.07
REF: 4/A522
CW34



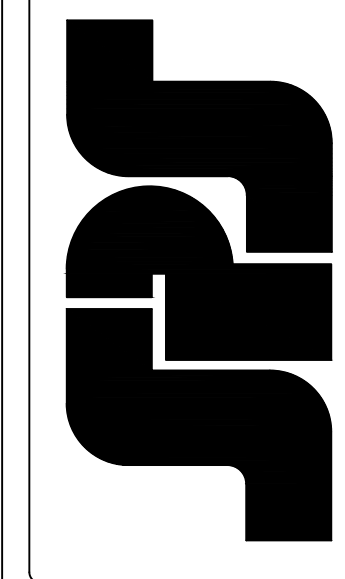
23
3.07
REF: 4/A522
CW34

VCU MONROE PARK CAMPUS STEM FACILITY

RICHMOND, VIRGINIA

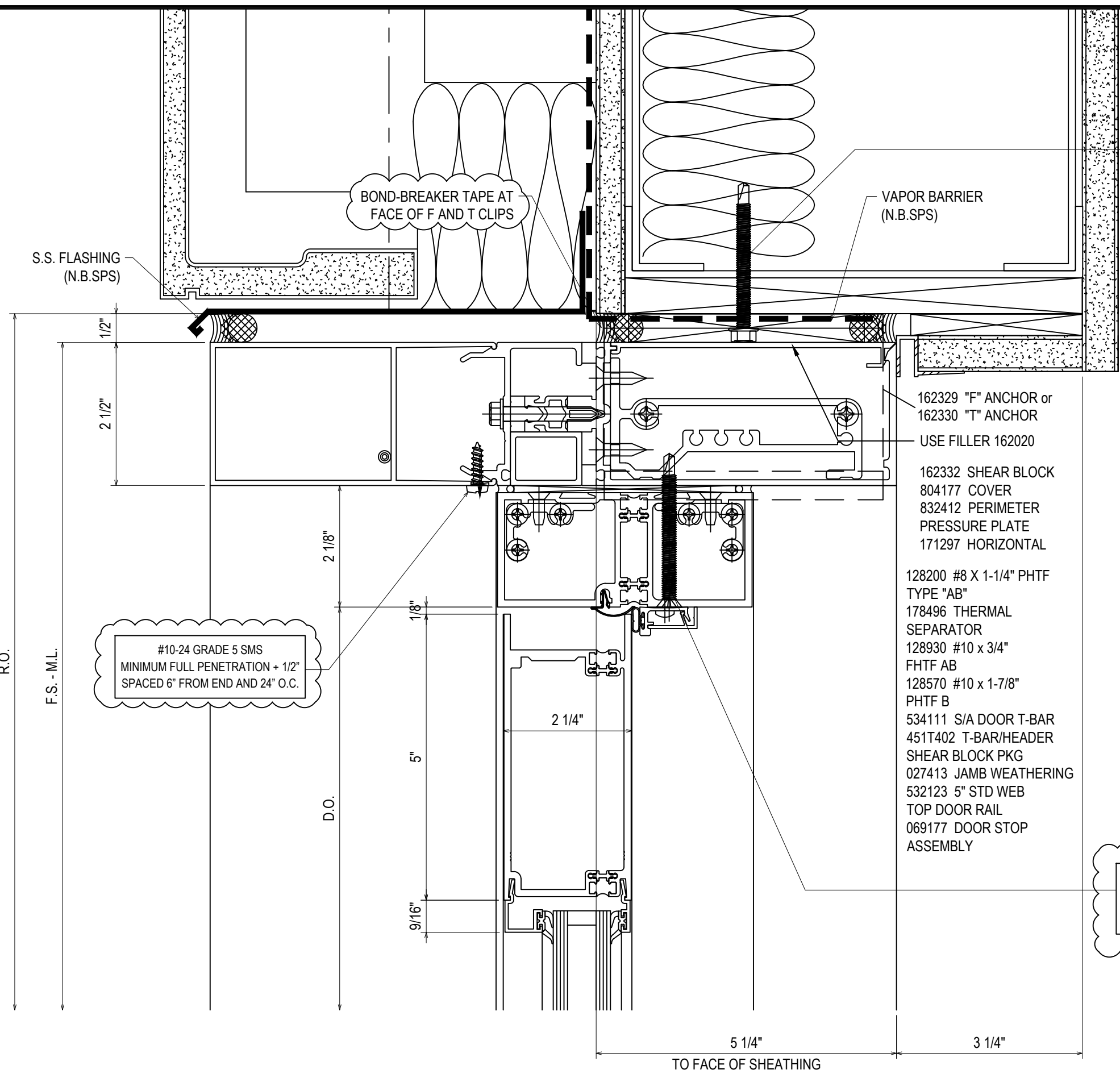
ARCHITECT: BALLINGER
CUSTOMER: SPS CORPORATION

SPS Corporation
Fort Wayne, Indiana Raleigh, North Carolina
Indianapolis, Indiana Charlotte, North Carolina



Drawn By	DJ
Date Drawn	2/4/21
Checked By	LW
Date Checked	2/4/21
Scale	6" = 1'-0"
File No.	xxxx-xx
Job Name	VCU STERN
SHEET	

3.07



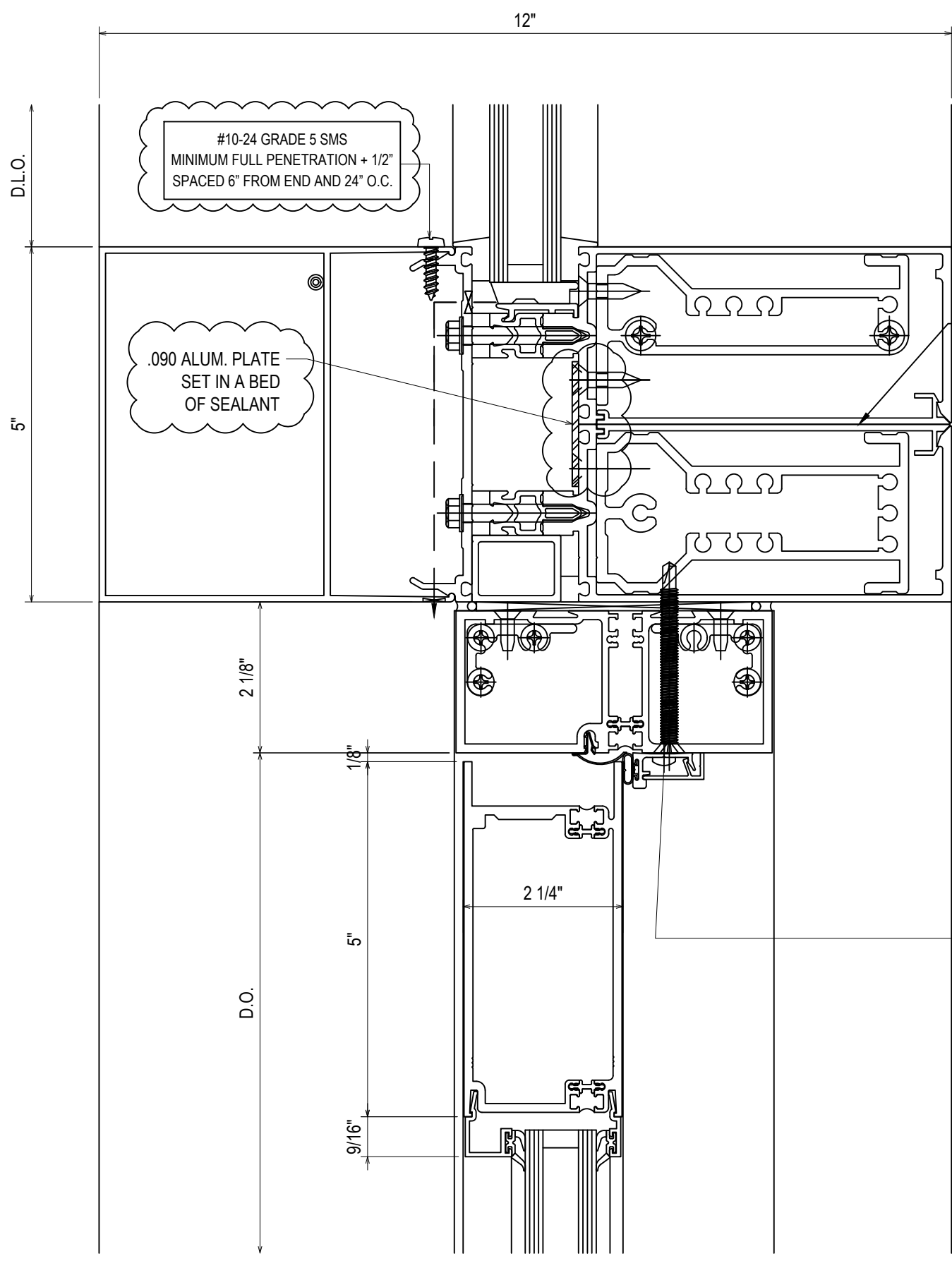
F-CLIP SECURED USING TWO #14-20 GRADE 5 SMS
MINIMUM FULL PENETRATION + 1/2"
MINIMUM 3/4" EDGE DISTANCE
MINIMUM 1" ANCHOR SPACING

T-CLIP SECURED USING FOUR #14-20 GRADE 5 SMS
MINIMUM FULL PENETRATION + 1/2"
MINIMUM 3/4" EDGE DISTANCE
MINIMUM 1" ANCHOR SPACING
TWO ANCHOR ON EACH SIDE OF MULLION

24
3.08
REF: 8/A530
CW8

GENERAL INSTALLATION NOTE (TYPICAL ALL DETAILS):
SEAL HEADS OF ALL FASTENERS WITHIN THE GLAZING POCKET

#12-24 GRADE 5 SMS WITH A MINIMUM FULL PENETRATION + 1/2"
MINIMUM 3/8" EDGE DISTANCE
SPACED 3" FROM END AND 24" O.C. THEREAFTER



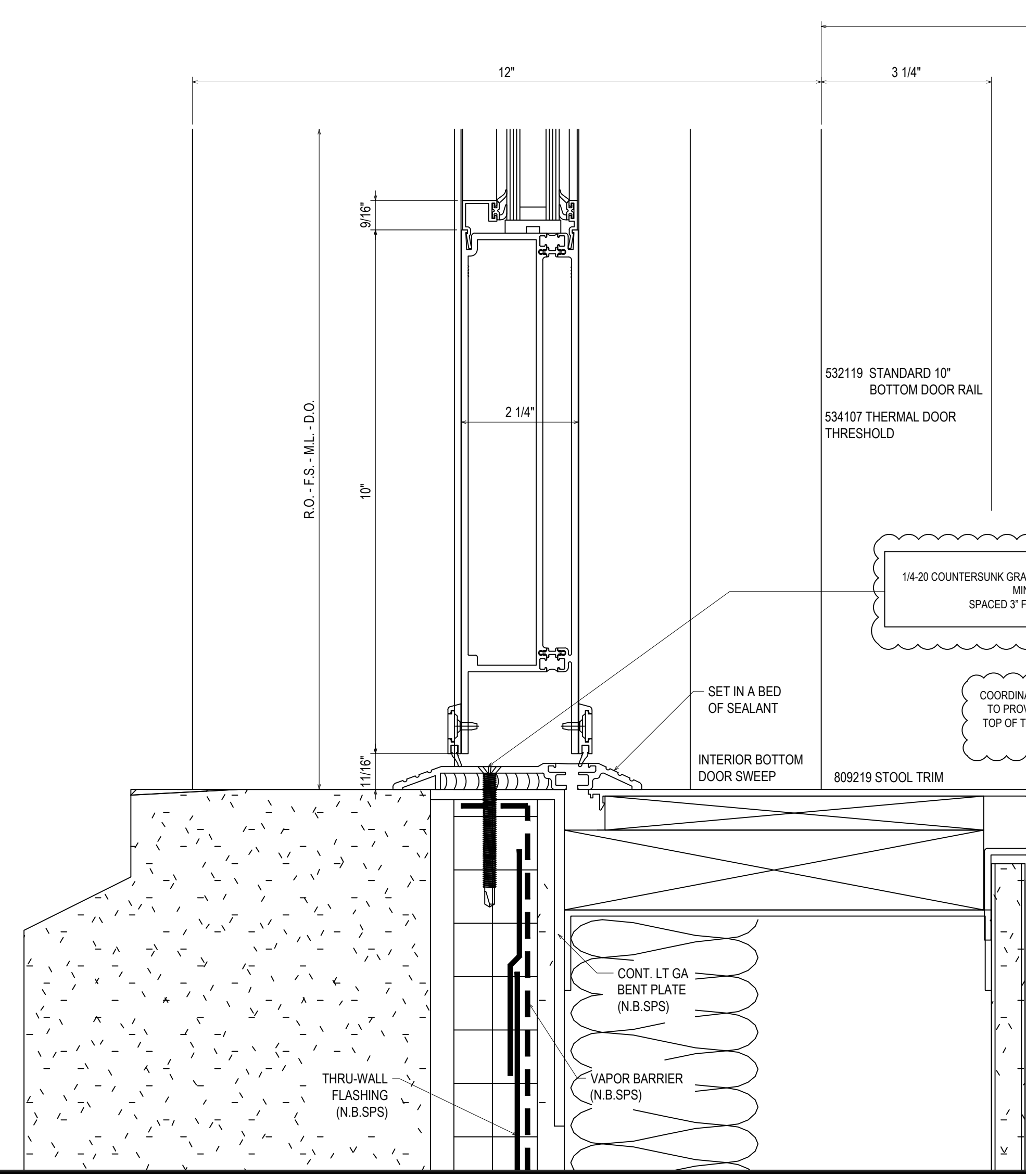
162332 SHEAR BLOCK
#89564 COVER
833832 PRESSURE PLATE
171297 HORIZONTAL

USE FILLER 162020
128200 #8 X 1-1/4" PHTF TYPE "AB"
178496 THERMAL SEPARATOR
128930 #10 X 3/4" PHTF AB
128570 #10 X 1-7/8" PHTF B

534111 S/A DOOR T-BAR
069177 DOOR STOP ASSEMBLY
4511402 T-BAR/HEADER SHEAR BLOCK PKG
027413 JAMB WEATHERING
532123 5" STD WEB TOP DOOR RAIL

26
3.08
REF: N/A
CW18

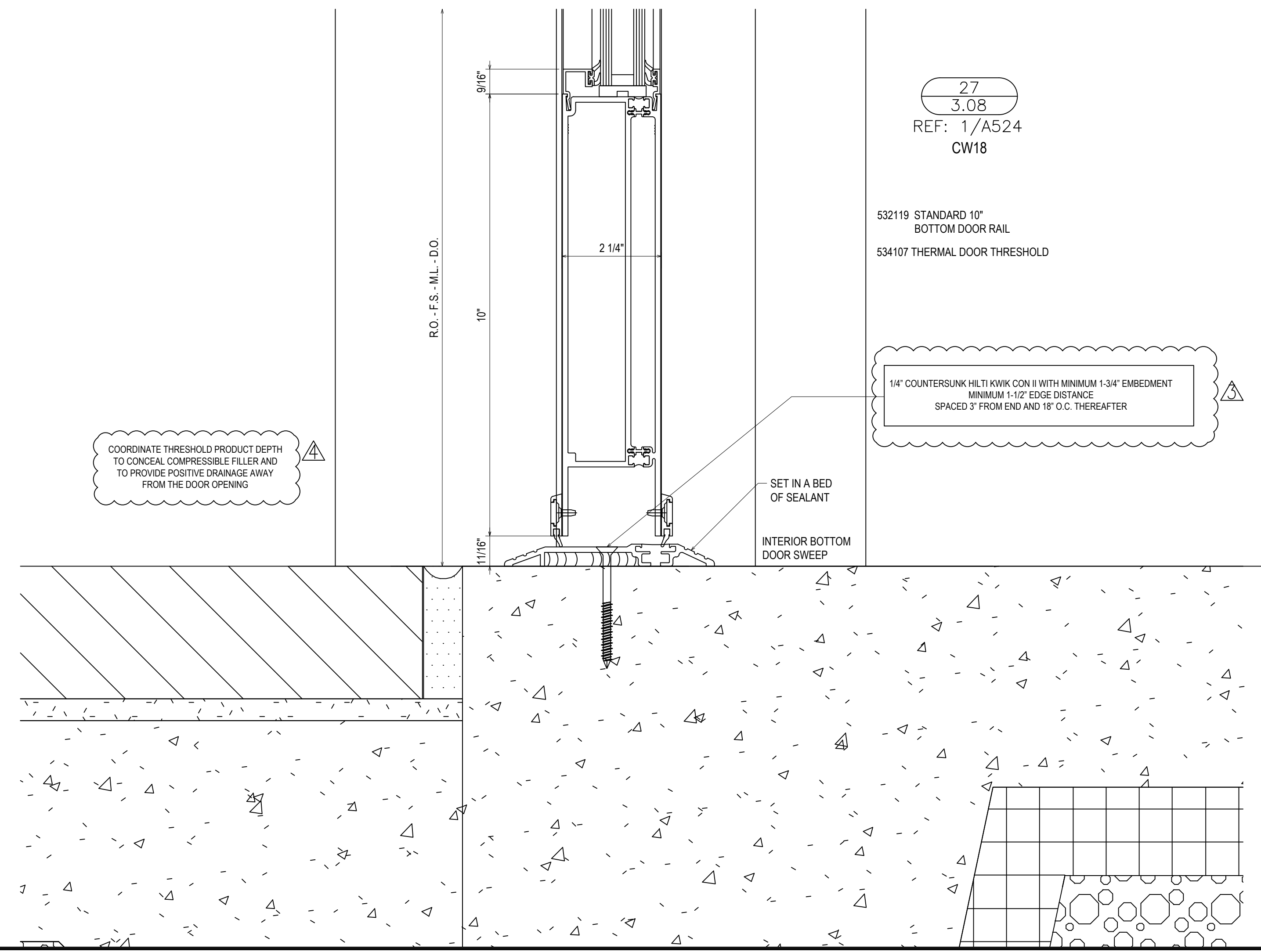
#12-24 GRADE 5 SMS WITH A MINIMUM FULL PENETRATION + 1/2"
MINIMUM 3/8" EDGE DISTANCE
SPACED 3" FROM END AND 24" O.C. THEREAFTER



25
3.08
REF: 4/A540
CW8

COORDINATE THRESHOLD PRODUCT DEPTH TO PROVIDE POSITIVE DRAINAGE AT THE TOP OF THE PRE CAST STONE AWAY FROM DOOR OPENING

COORDINATE THRESHOLD PRODUCT DEPTH TO CONCEAL COMPRESSIBLE FILLER AND TO PROVIDE POSITIVE DRAINAGE AWAY FROM THE DOOR OPENING



27
3.08
REF: 1/A524
CW18

532119 STANDARD 10" BOTTOM DOOR RAIL
534107 THERMAL DOOR THRESHOLD

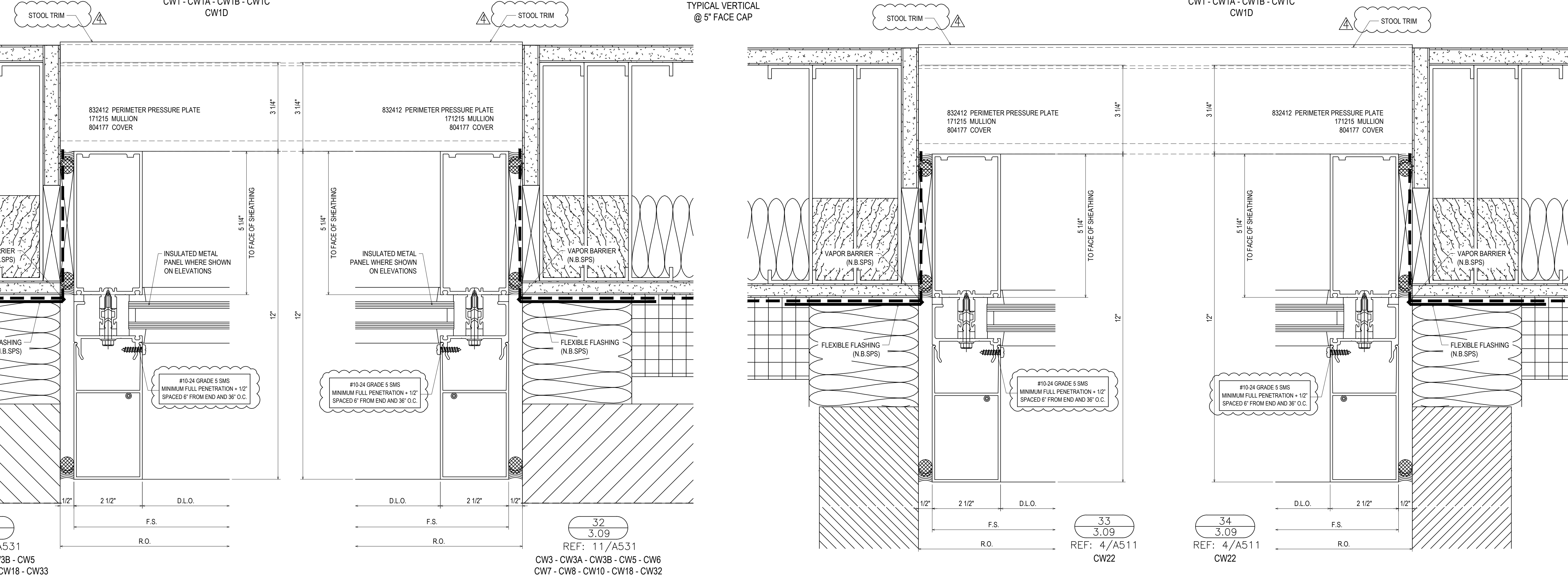
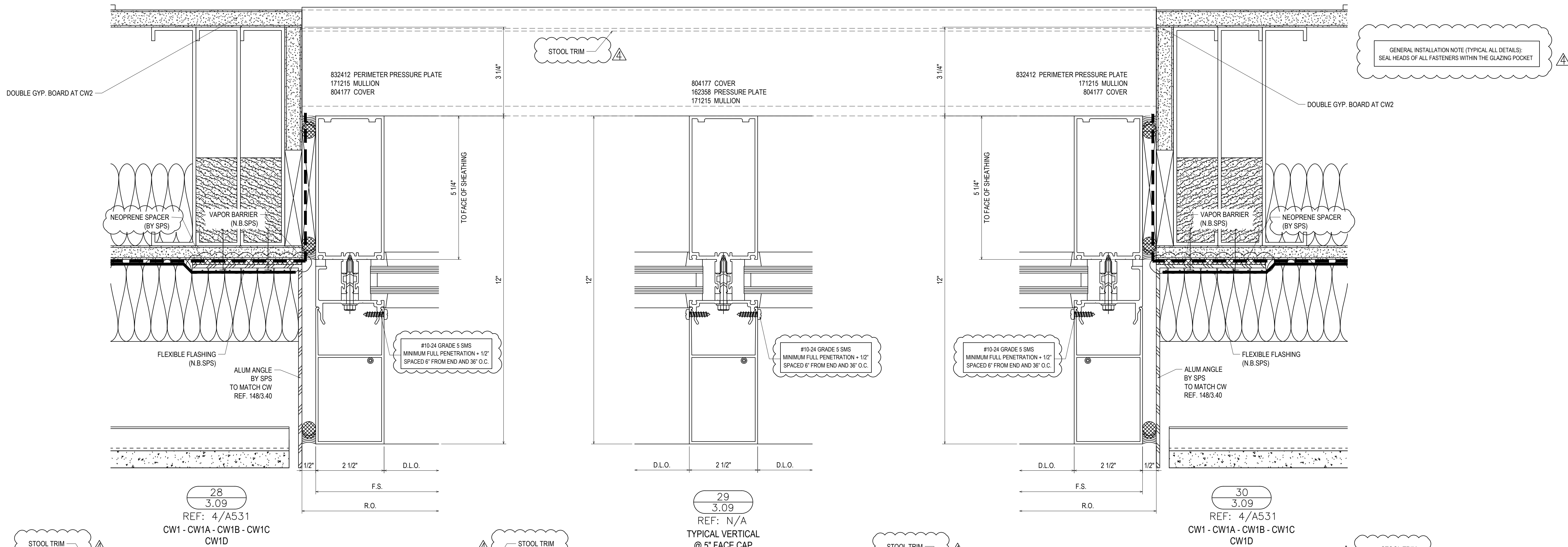
1 1/4" COUNTERSUNK HILTI KWIK CON II WITH MINIMUM 1-3/4" EMBEDMENT
MINIMUM 1-1/2" EDGE DISTANCE
SPACED 3" FROM END AND 18" O.C. THEREAFTER

REVISIONS	BY
5/19/21	CW
6/8/21	CW
6/15/21	CW
8/6/21	CW
8/26/21	CW
9/16/21	CW

VCU MONROE PARK CAMPUS STEM FACILITY
RICHMOND, VIRGINIA
ARCHITECT: BALLINGER
CUSTOMER: SPS CORPORATION

SPS Corporation
Fort Wayne, Indiana Raleigh, North Carolina
Indianapolis, Indiana Charlotte, North Carolina

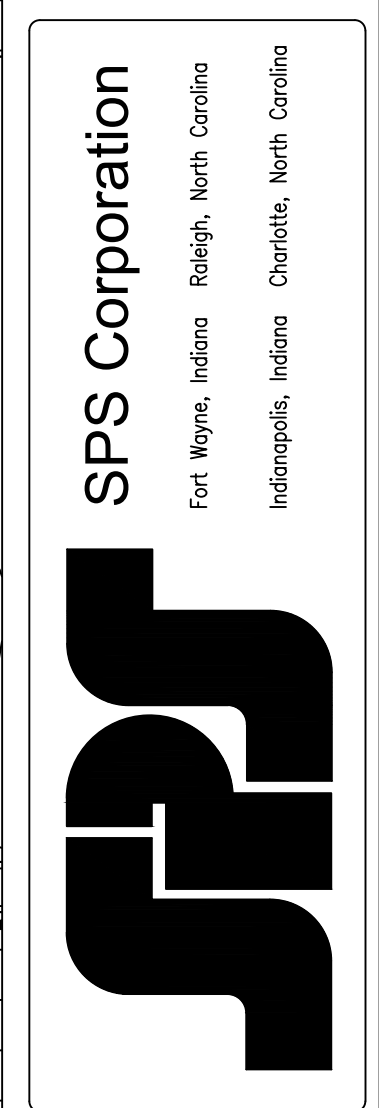
Drawn By DJ
Date Drawn 2/4/21
Checked By LW
Date Checked 2/4/21
Scale 6" = 1'-0"
File No. xxxx-xx
Job Name VCU STERN
SHEET



GENERAL INSTALLATION NOTE (TYPICAL ALL DETAILS):
SEAL HEADS OF ALL FASTENERS WITHIN THE GLAZING POCKET

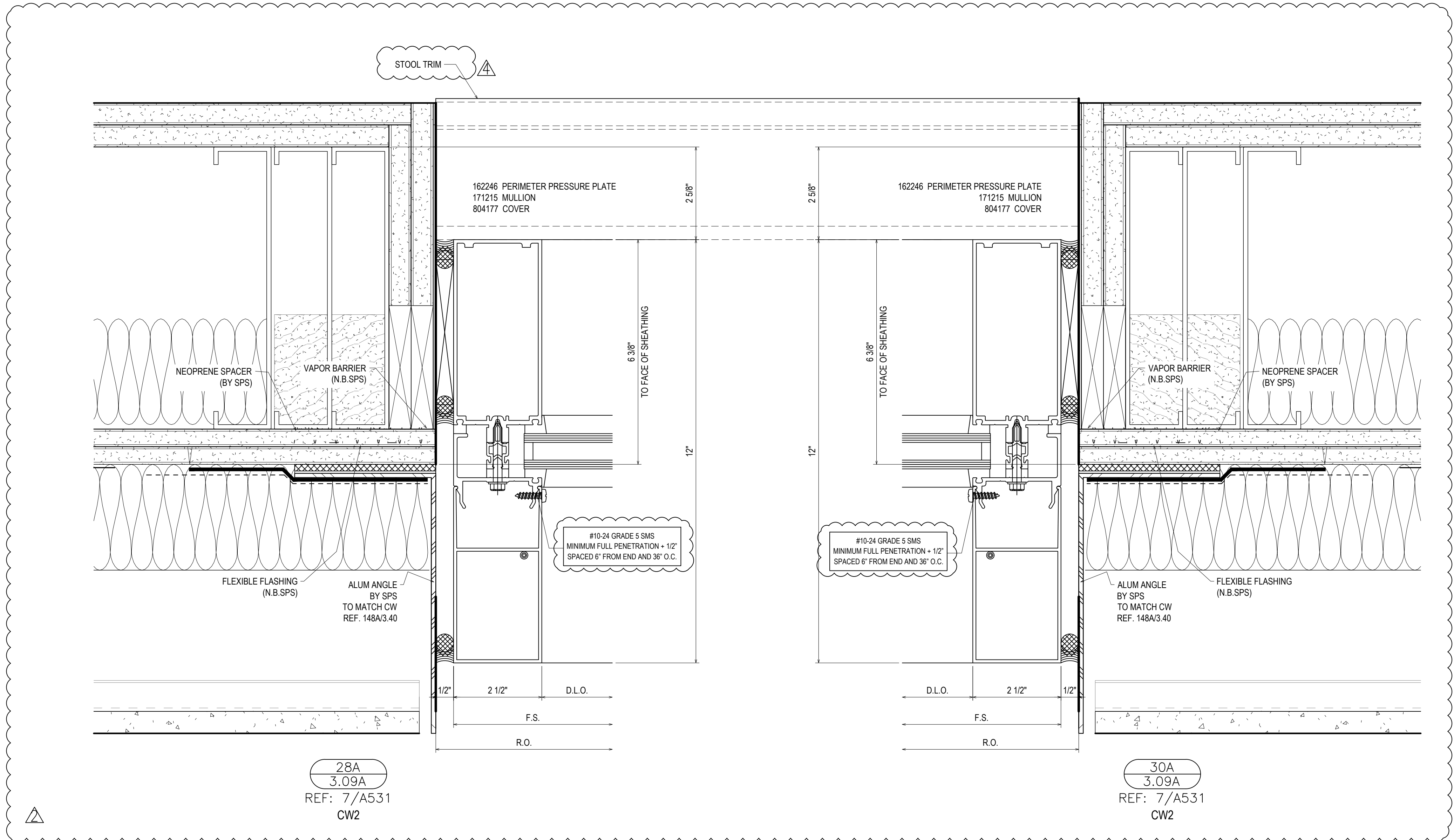
REVISIONS	BY
△	5/19/21 CW
△	6/8/21 CW
△	6/15/21 CW
△	8/6/21 CW
△	8/26/21 CW
△	9/16/21 CW

VCU MONROE PARK CAMPUS STEM FACILITY
 RICHMOND, VIRGINIA
 ARCHITECT: BALLINGER
 CUSTOMER: SPS CORPORATION



Drawn By: DJ
 Date Drawn: 2/4/21
 Checked By: LW
 Date Checked: 2/4/21
 Scale: 6" = 1'-0"
 File No.: xxxx-xx
 Job Name: VCU STERN
 SHEET

GENERAL INSTALLATION NOTE (TYPICAL ALL DETAILS):
SEAL HEADS OF ALL FASTENERS WITHIN THE GLAZING POCKET



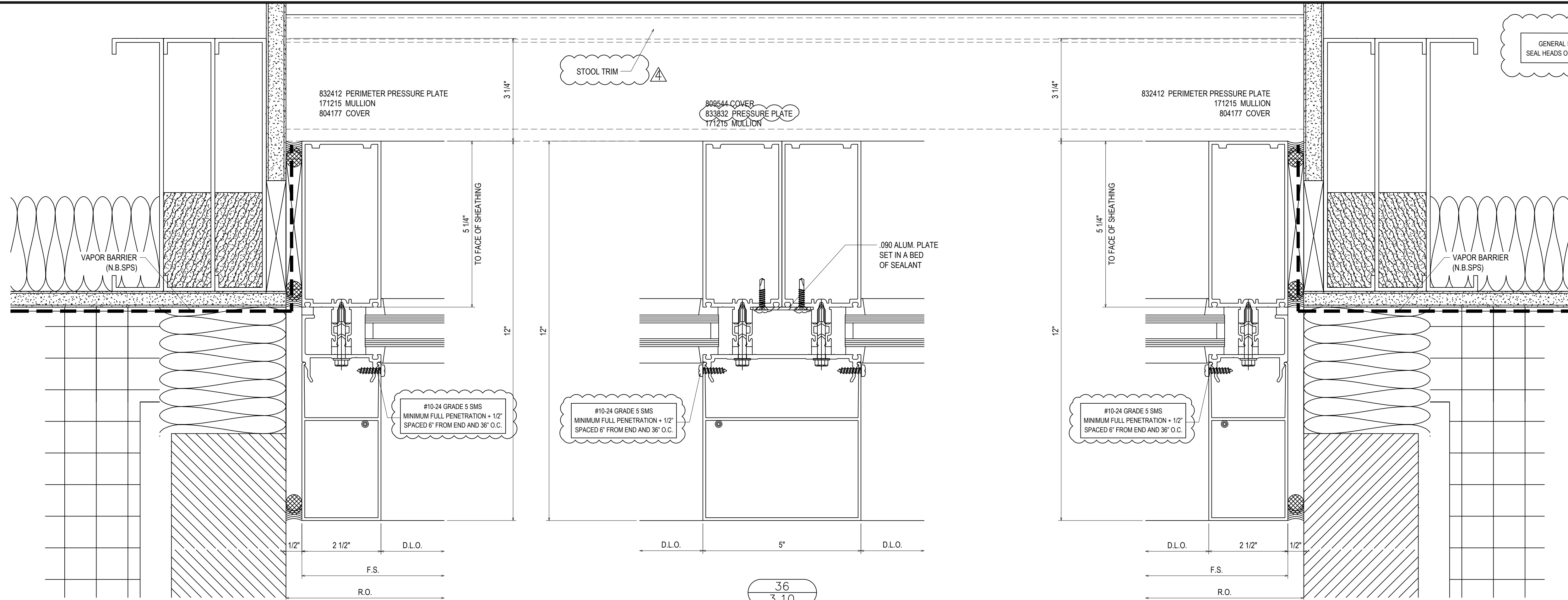
REVISIONS	BY
△ 5/19/21	CW
△ 6/8/21	CW
△ 6/15/21	CW
△ 8/6/21	CW
△ 8/26/21	CW
△ 9/16/21	CW

VCU MONROE PARK CAMPUS STEM FACILITY
 RICHMOND, VIRGINIA
 ARCHITECT: BALLINGER
 CUSTOMER: SPS CORPORATION

SPS Corporation
 Fort Wayne, Indiana Raleigh, North Carolina
 Indianapolis, Indiana Charlotte, North Carolina

Drawn By
DJ
 Date Drawn
2/4/21
 Checked By
LW
 Date Checked
2/4/21
 Scale
6" = 1'-0"
 File No.
xxxx-xx
 Job Name
VCU STERN
 SHEET

3.09A

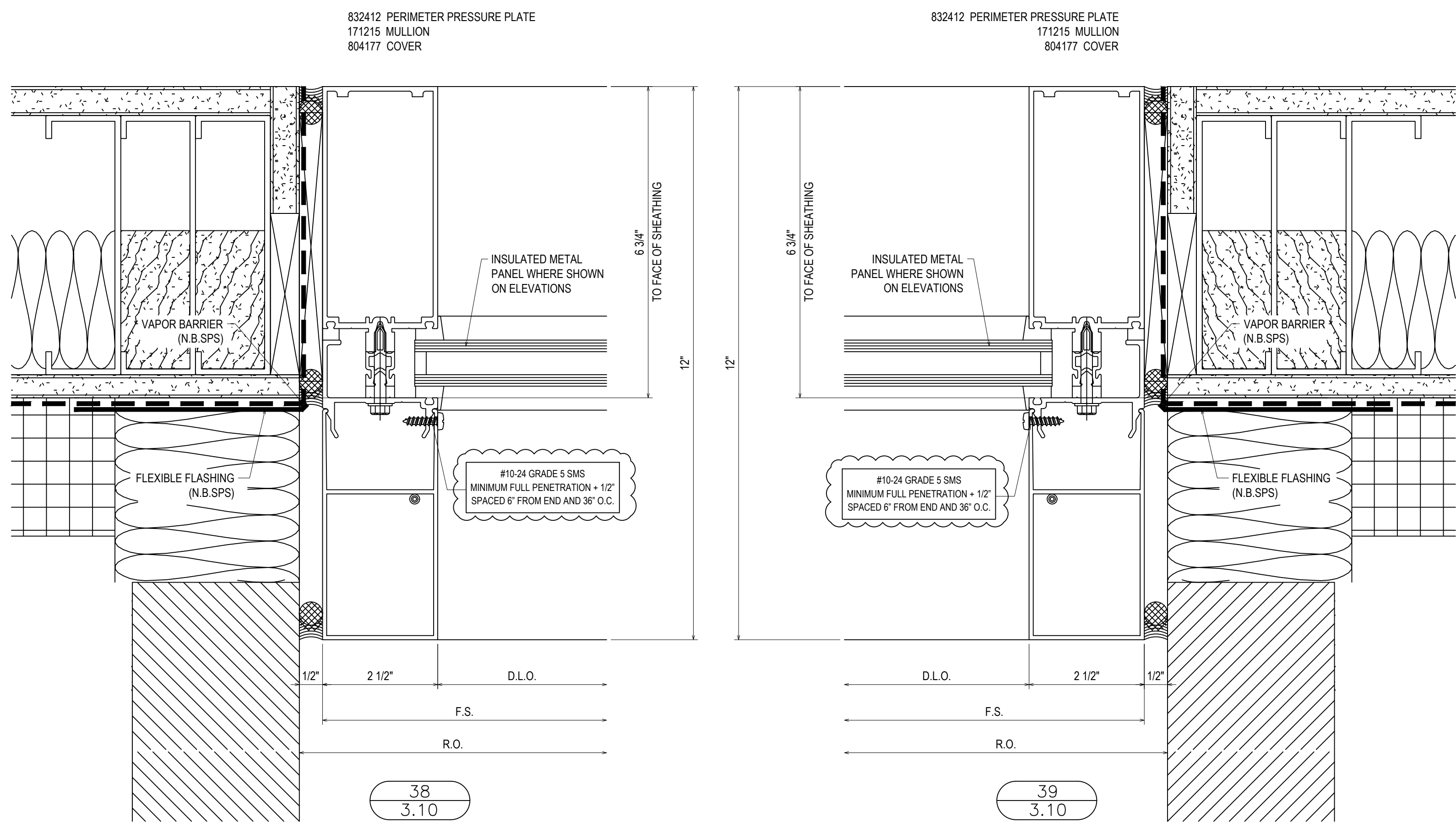


35
3.10
REF: 3/A530 SIM.
CW21

36
3.10
REF: N/A
CW21 - CW22

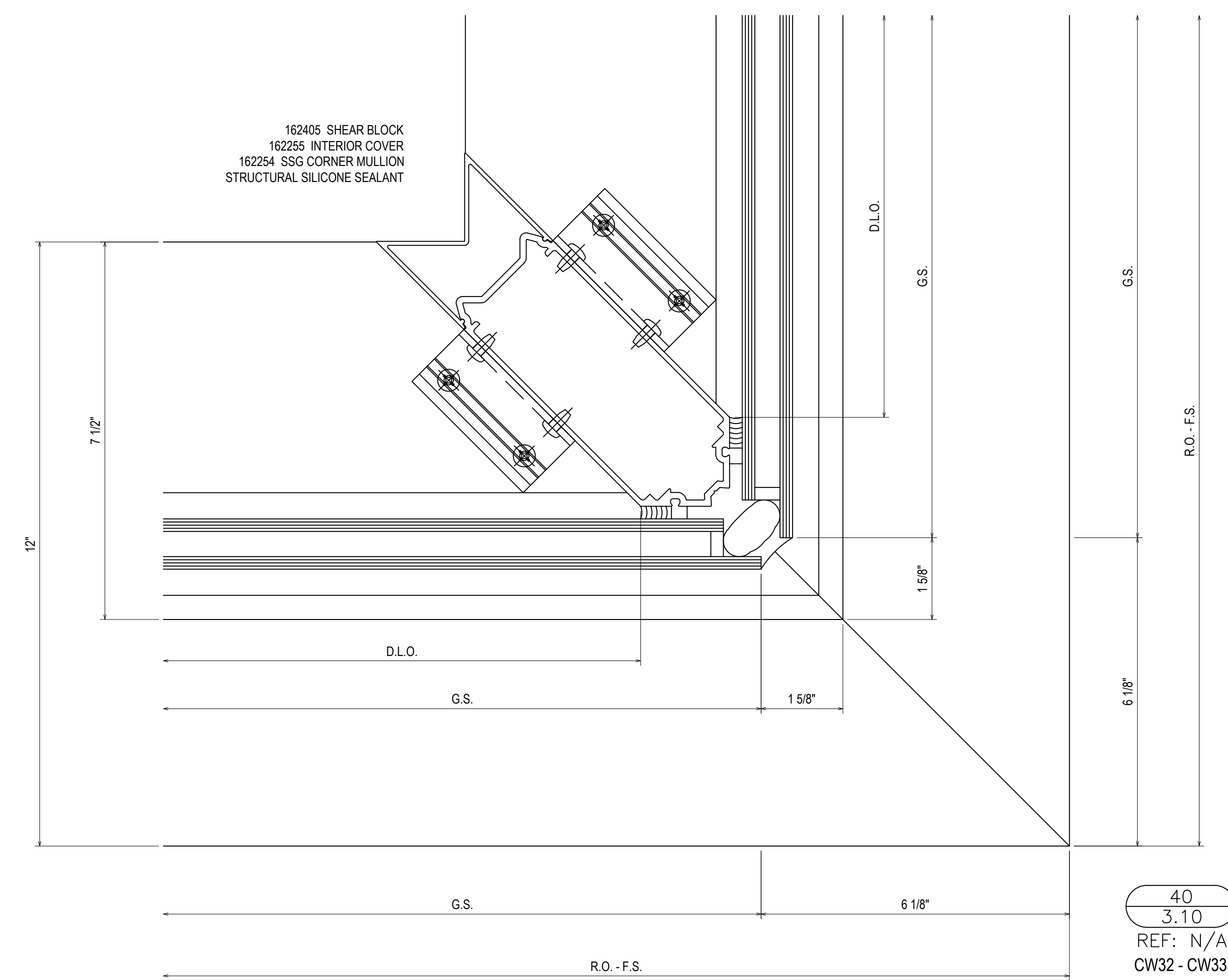
37
3.10
REF: 3/A530 SIM.
CW21

GENERAL INSTALLATION NOTE (TYPICAL ALL DETAILS):
SEAL HEADS OF ALL FASTENERS WITHIN THE GLAZING POCKET



38
3.10
REF: 5/A511
CW31

39
3.10
REF: 5/A511
CW31



40
3.10
REF: N/A
CW32 - CW33

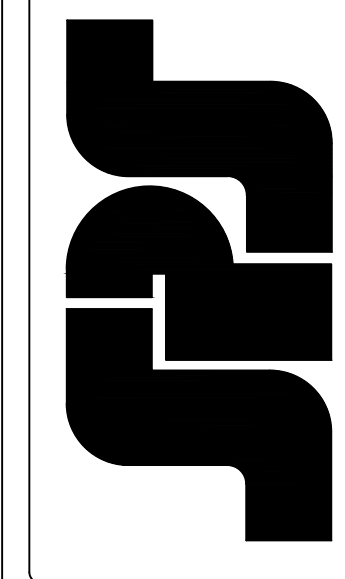
REVISIONS	BY
△	5/19/21 CW
△	6/8/21 CW
△	6/15/21 CW
△	8/6/21 CW
△	8/26/21 CW
△	9/16/21 CW

VCU MONROE PARK CAMPUS STEM FACILITY

RICHMOND, VIRGINIA

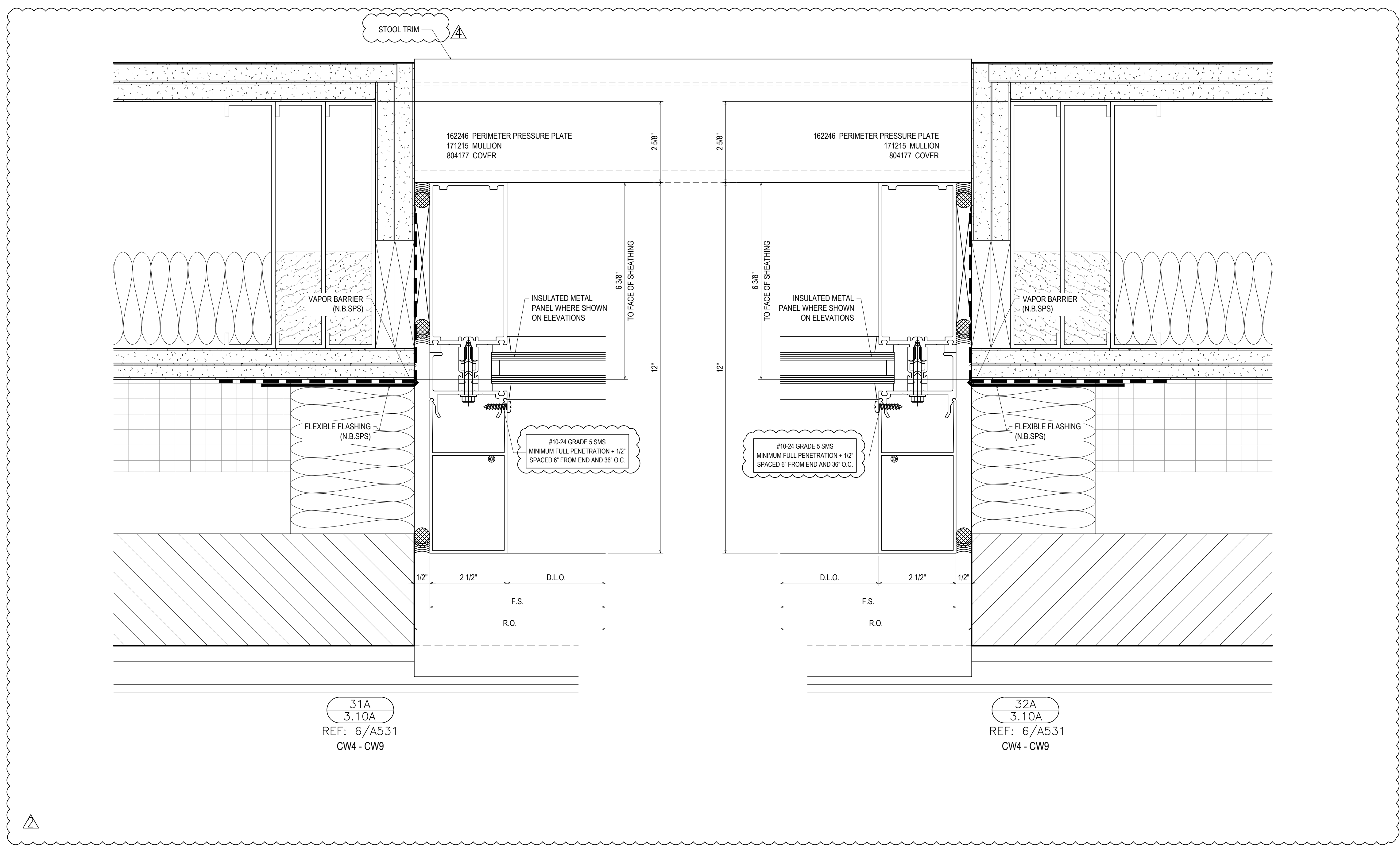
ARCHITECT: BALLINGER
CUSTOMER: SPS CORPORATION

SPS Corporation
Fort Wayne, Indiana Raleigh, North Carolina
Indianapolis, Indiana Charlotte, North Carolina



Drawn By
DJ
Date Drawn
2/4/21
Checked By
LW
Date Checked
2/4/21
Scale
6" = 1'-0"
File No.
xxxx-xx
Job Name
VCU STERN
SHEET

GENERAL INSTALLATION NOTE (TYPICAL ALL DETAILS):
SEAL HEADS OF ALL FASTENERS WITHIN THE GLAZING POCKET



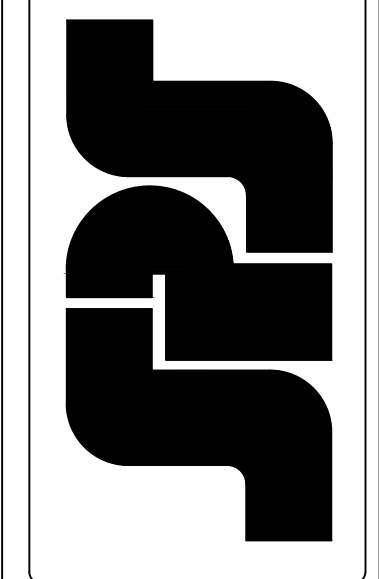
31A
3.10A
REF: 6/A531
CW4 - CW9

32A
3.10A
REF: 6/A531
CW4 - CW9

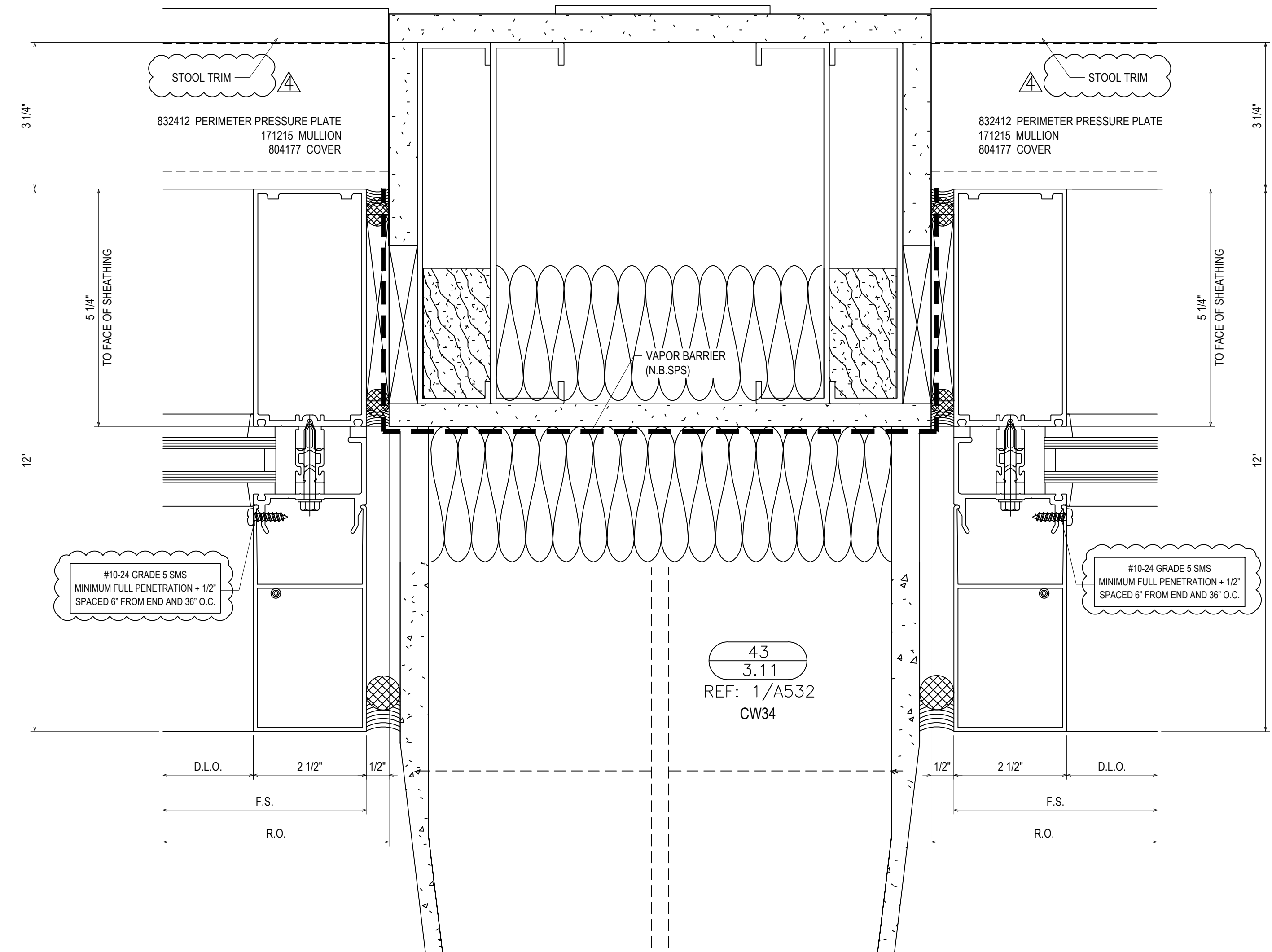
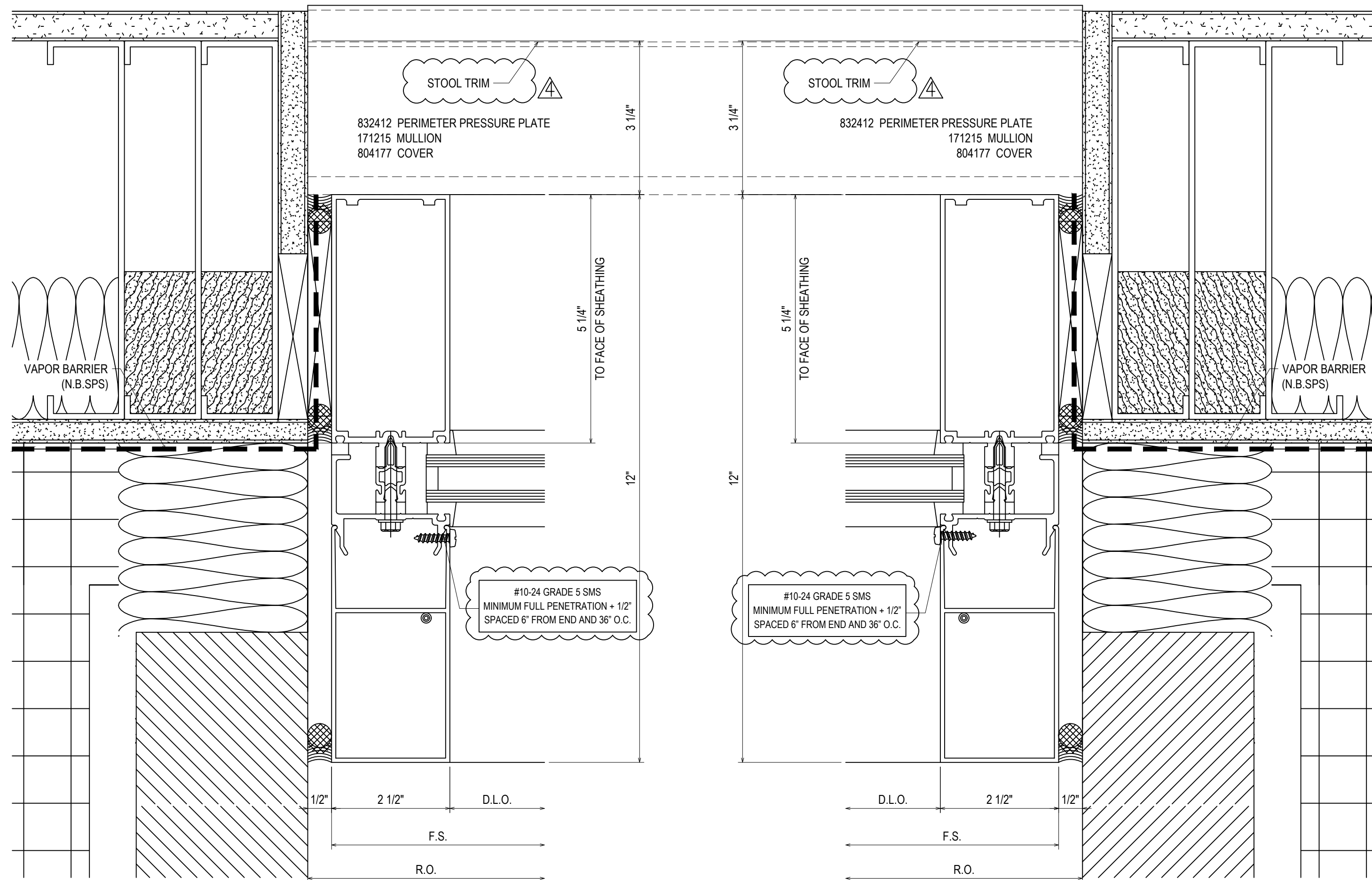
REVISIONS	BY
△ 5/19/21	CW
△ 6/8/21	CW
△ 6/15/21	CW
△ 8/6/21	CW
△ 8/26/21	CW
△ 9/16/21	CW

VCU MONROE PARK CAMPUS STEM FACILITY
RICHMOND, VIRGINIA
ARCHITECT: BALLINGER
CUSTOMER: SPS CORPORATION

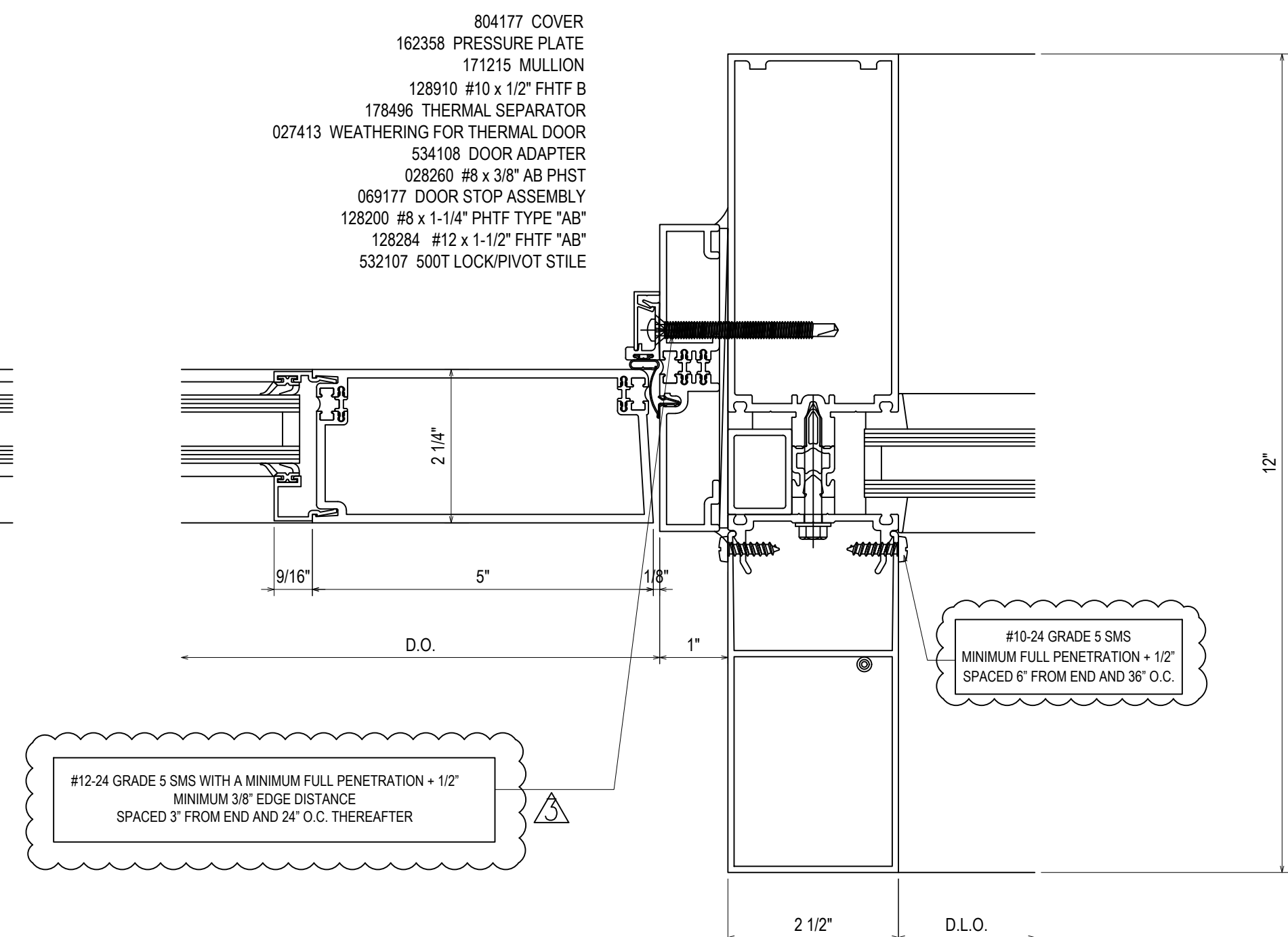
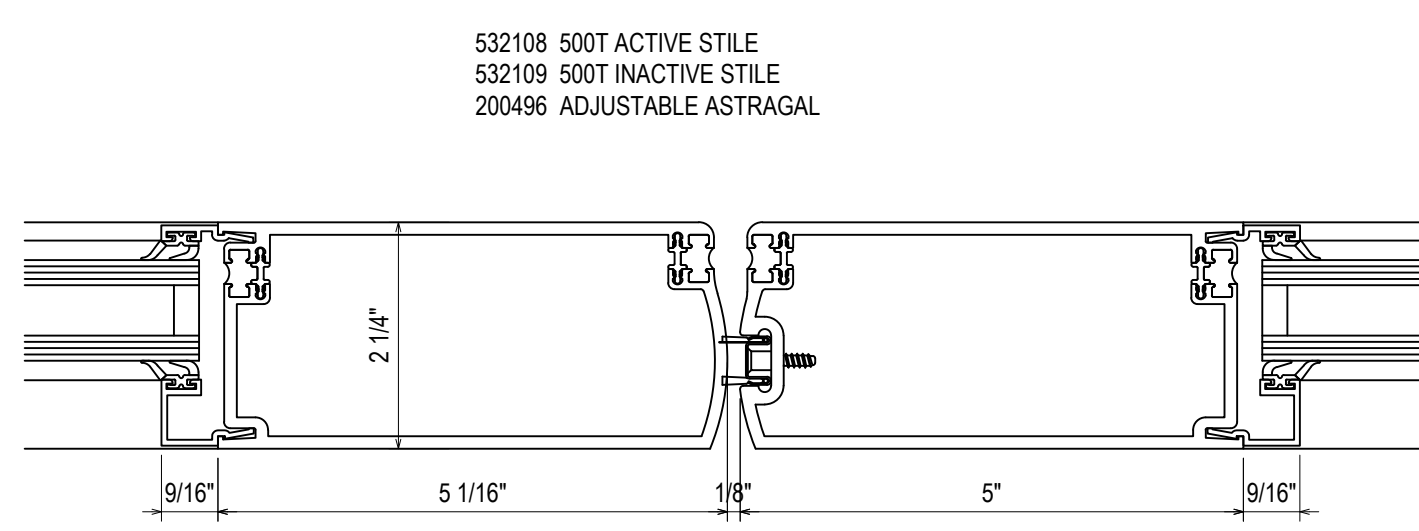
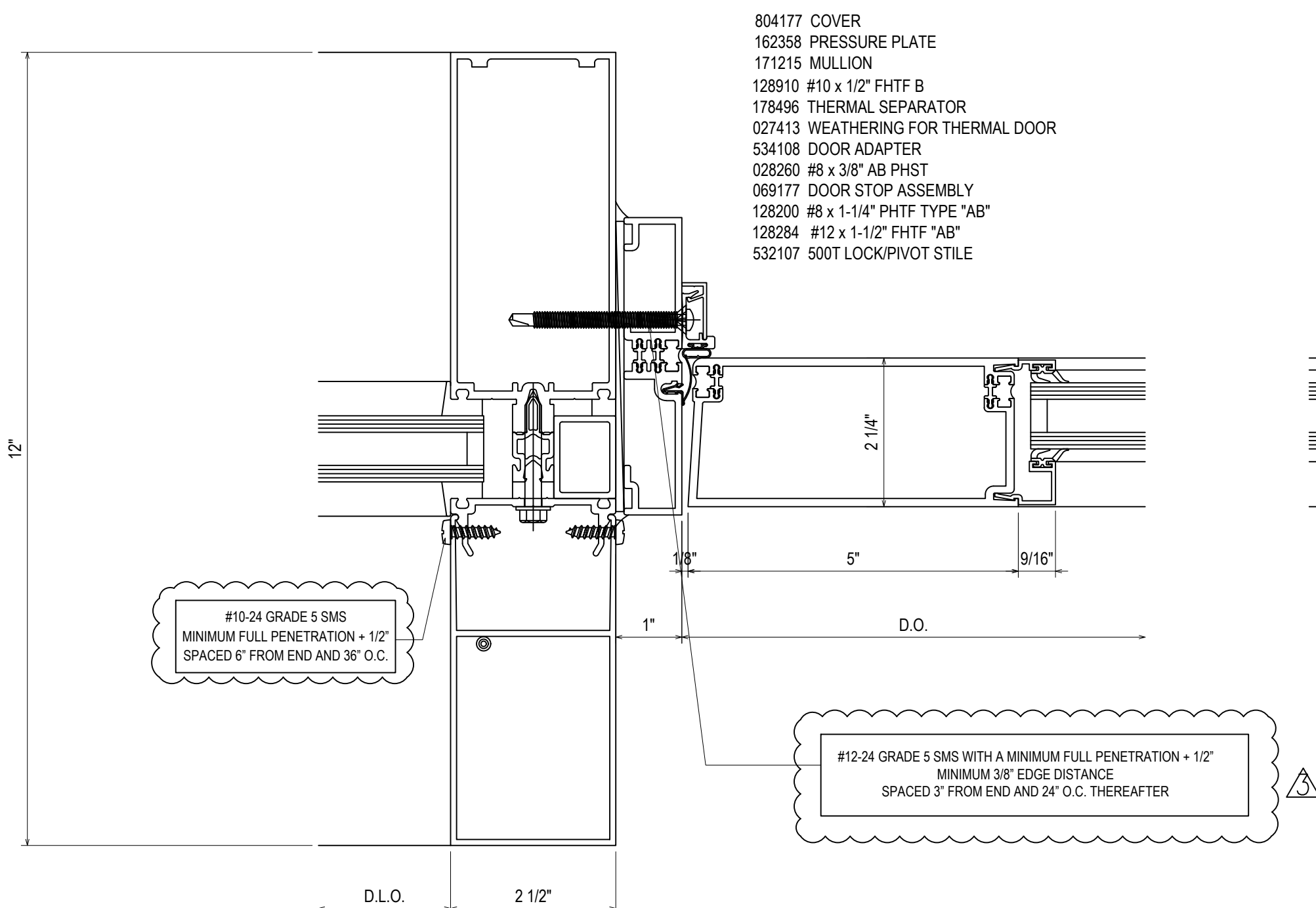
SPS Corporation
Fort Wayne, Indiana Raleigh, North Carolina
Indianapolis, Indiana Charlotte, North Carolina



Drawn By
DJ
Date Drawn
2/4/21
Checked By
LW
Date Checked
2/4/21
Scale
6" = 1'-0"
File No.
xxxx-xx
Job Name
VCU STERN
SHEET



GENERAL INSTALLATION NOTE (TYPICAL ALL DETAILS):
SEAL HEADS OF ALL FASTENERS WITHIN THE GLAZING POCKET



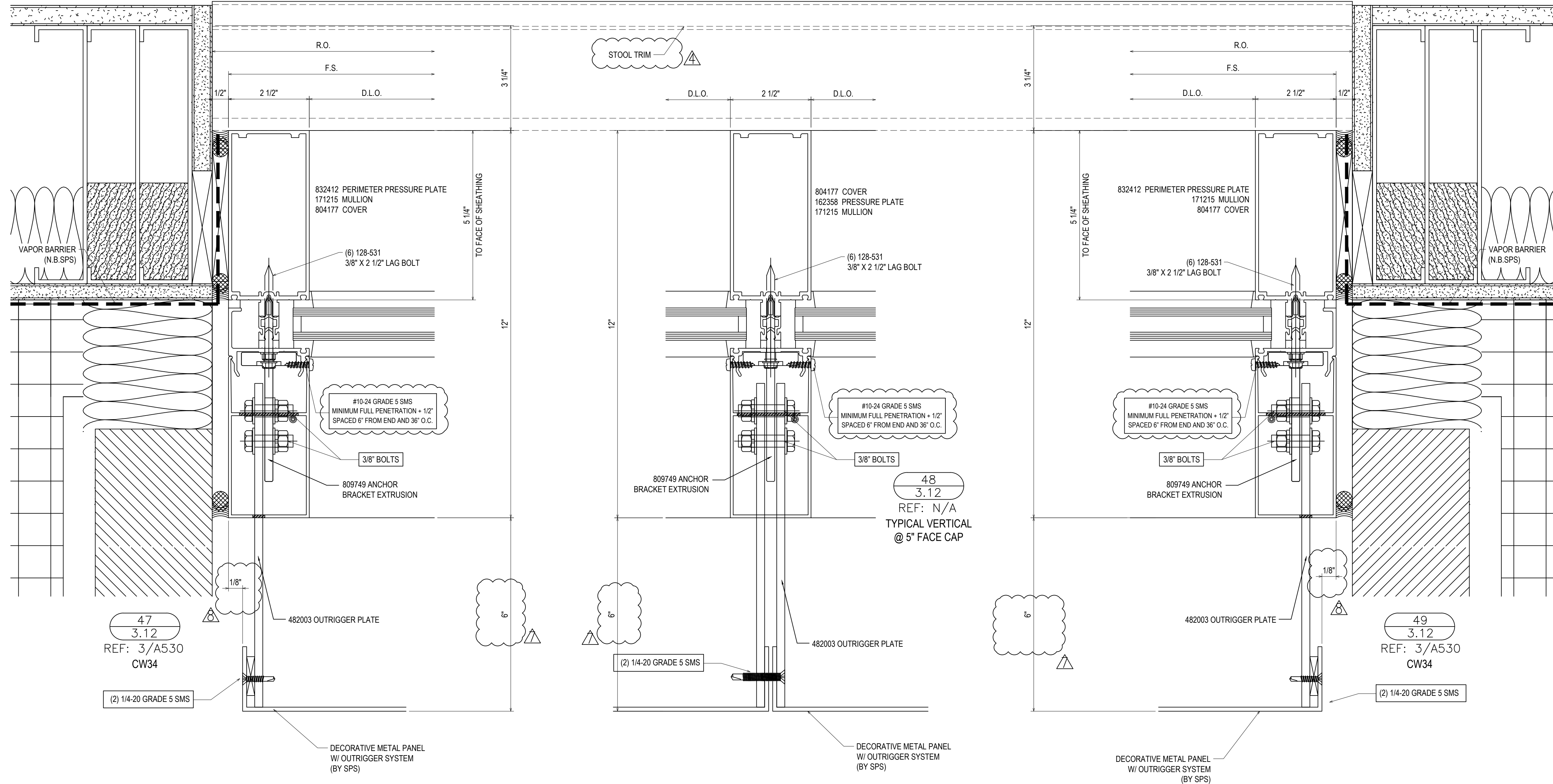
REVISIONS	BY
5/19/21	CW
6/8/21	CW
6/15/21	CW
8/6/21	CW
8/26/21	CW
9/16/21	CW

VCU MONROE PARK CAMPUS STEM FACILITY
RICHMOND, VIRGINIA
ARCHITECT: BALLINGER
CUSTOMER: SPS CORPORATION

SPS Corporation
Fort Wayne, Indiana Raleigh, North Carolina
Indianapolis, Indiana Charlotte, North Carolina

Drawn By DJ
Date Drawn 2/4/21
Checked By LW
Date Checked 2/4/21
Scale 6" = 1'-0"
File No. xxxx-xx
Job Name VCU STERN
SHEET

GENERAL INSTALLATION NOTE (TYPICAL ALL DETAILS):
SEAL HEADS OF ALL FASTENERS WITHIN THE GLAZING POCKET

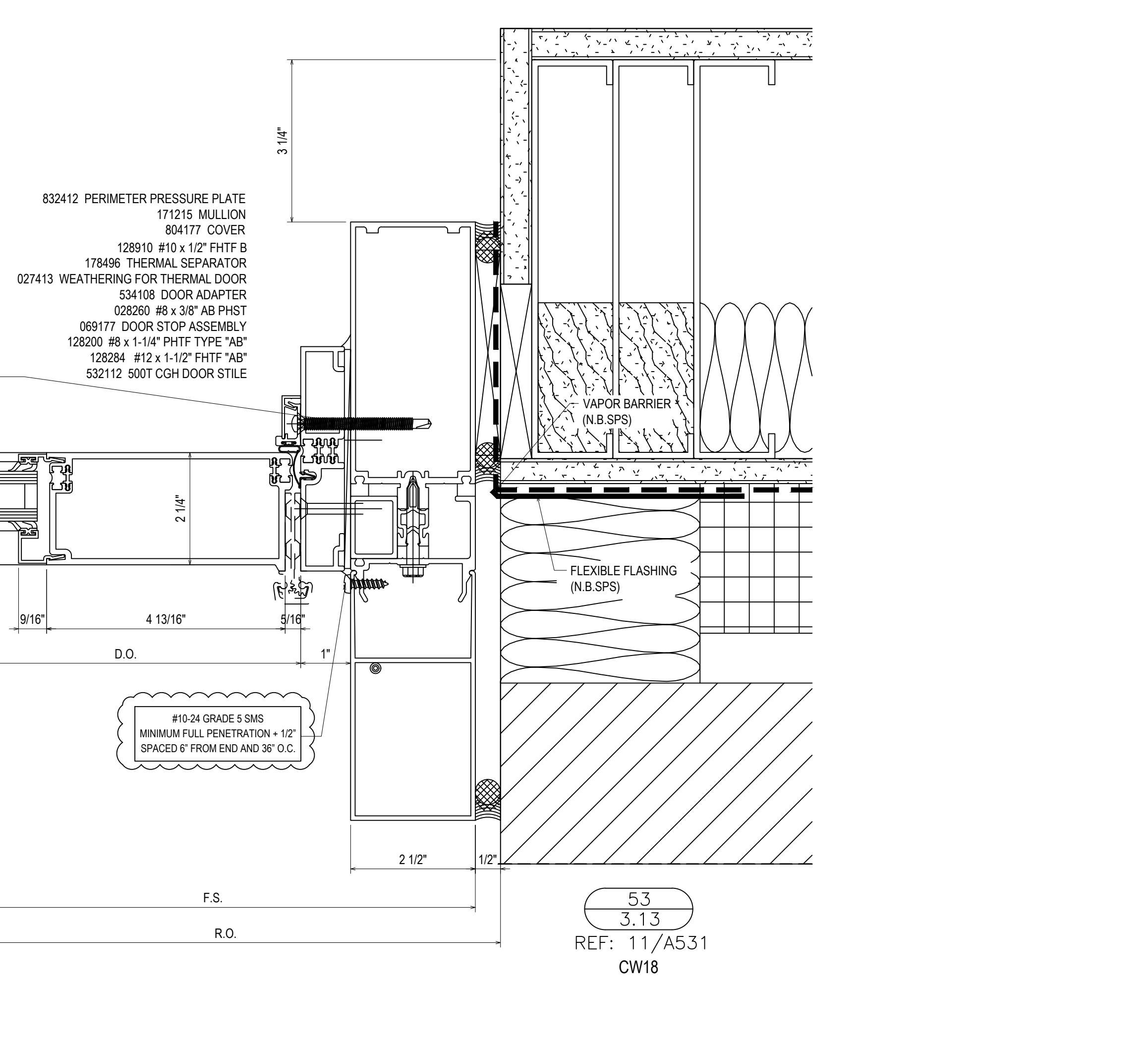
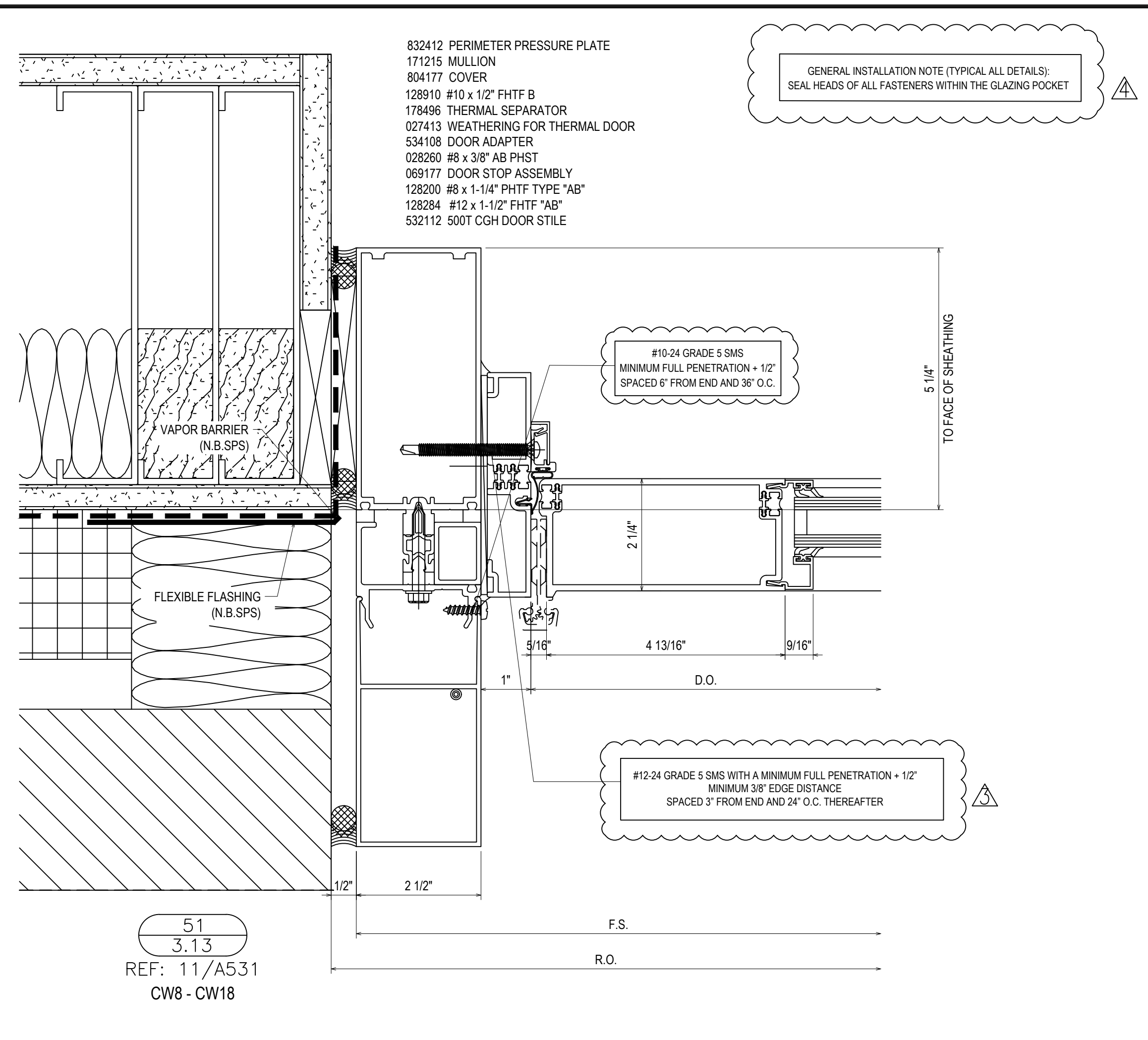
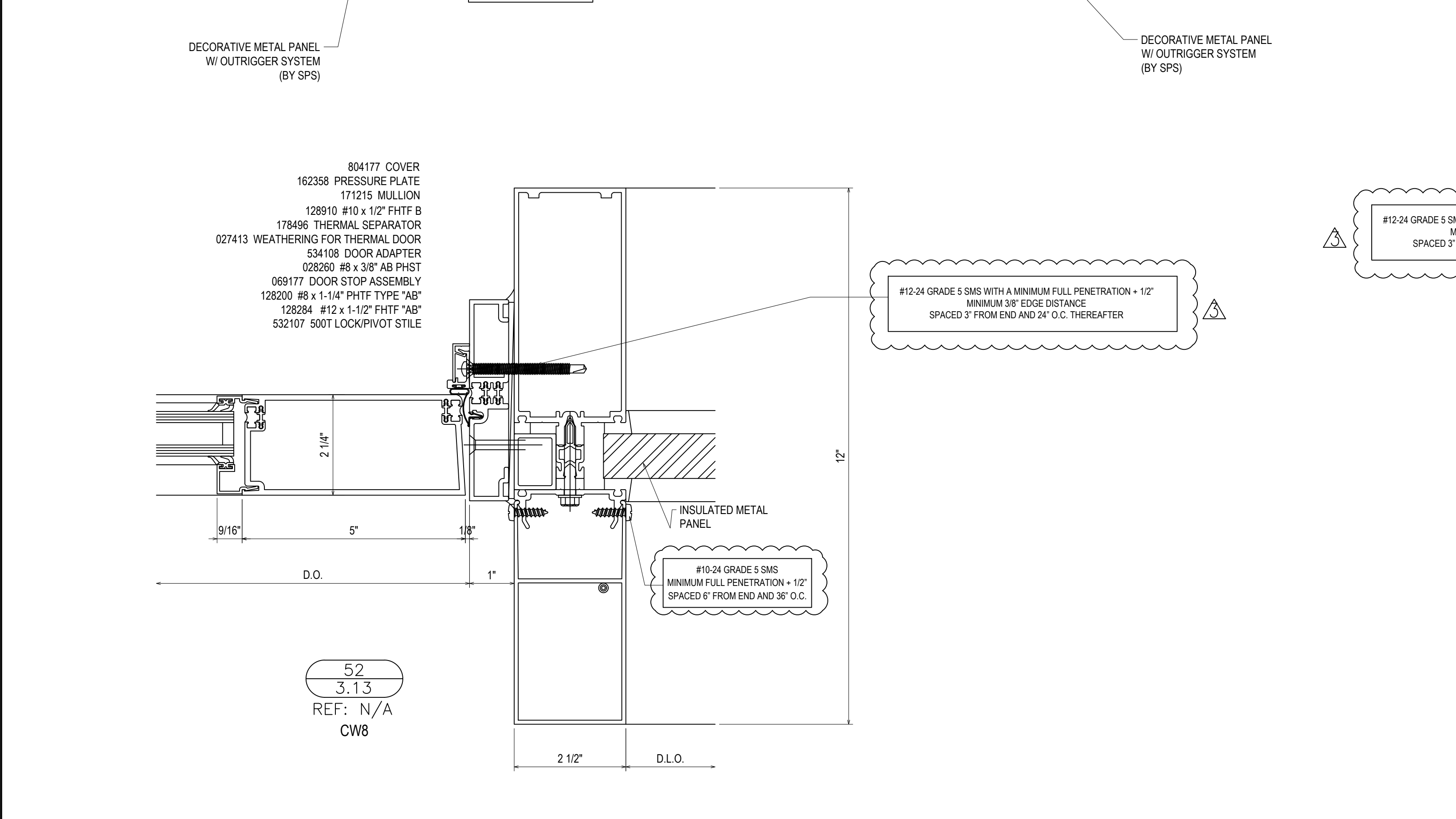
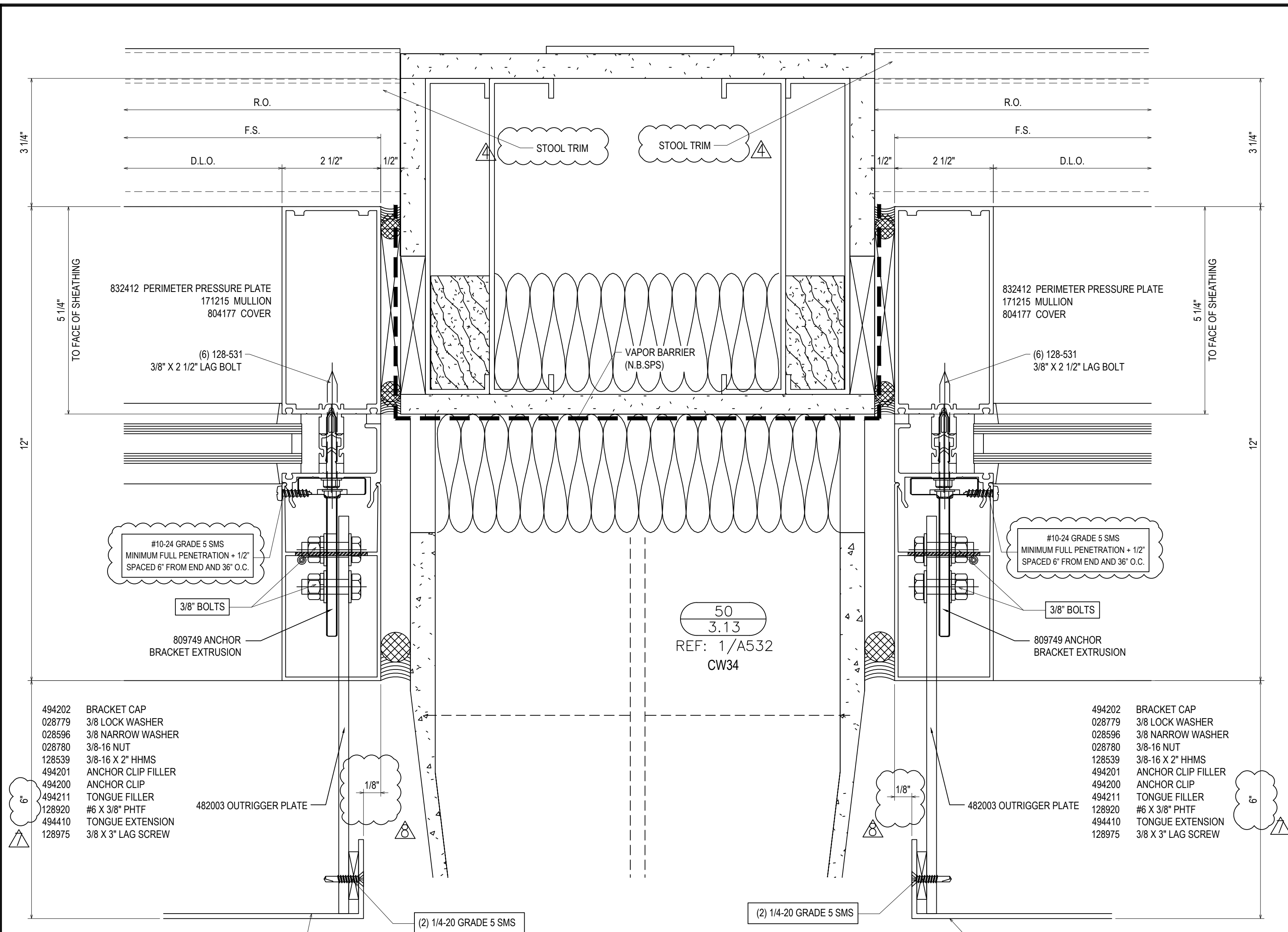


REVISIONS	BY
△ 5/19/21	CW
△ 6/8/21	CW
△ 6/15/21	CW
△ 8/6/21	CW
△ 8/26/21	CW
△ 9/16/21	CW

VCU MONROE PARK CAMPUS STEM FACILITY
RICHMOND, VIRGINIA
ARCHITECT: BALLINGER
CUSTOMER: SPS CORPORATION

SPS Corporation
Fort Wayne, Indiana Raleigh, North Carolina
Indianapolis, Indiana Charlotte, North Carolina

Drawn By DJ
Date Drawn 2/4/21
Checked By LW
Date Checked 2/4/21
Scale 6" = 1'-0"
File No. xxxx-xx
Job Name VCU STERN
SHEET



REVISIONS	BY
△ 5/19/21	CW
△ 6/8/21	CW
△ 6/15/21	CW
△ 8/6/21	CW
△ 8/26/21	CW
△ 9/16/21	CW

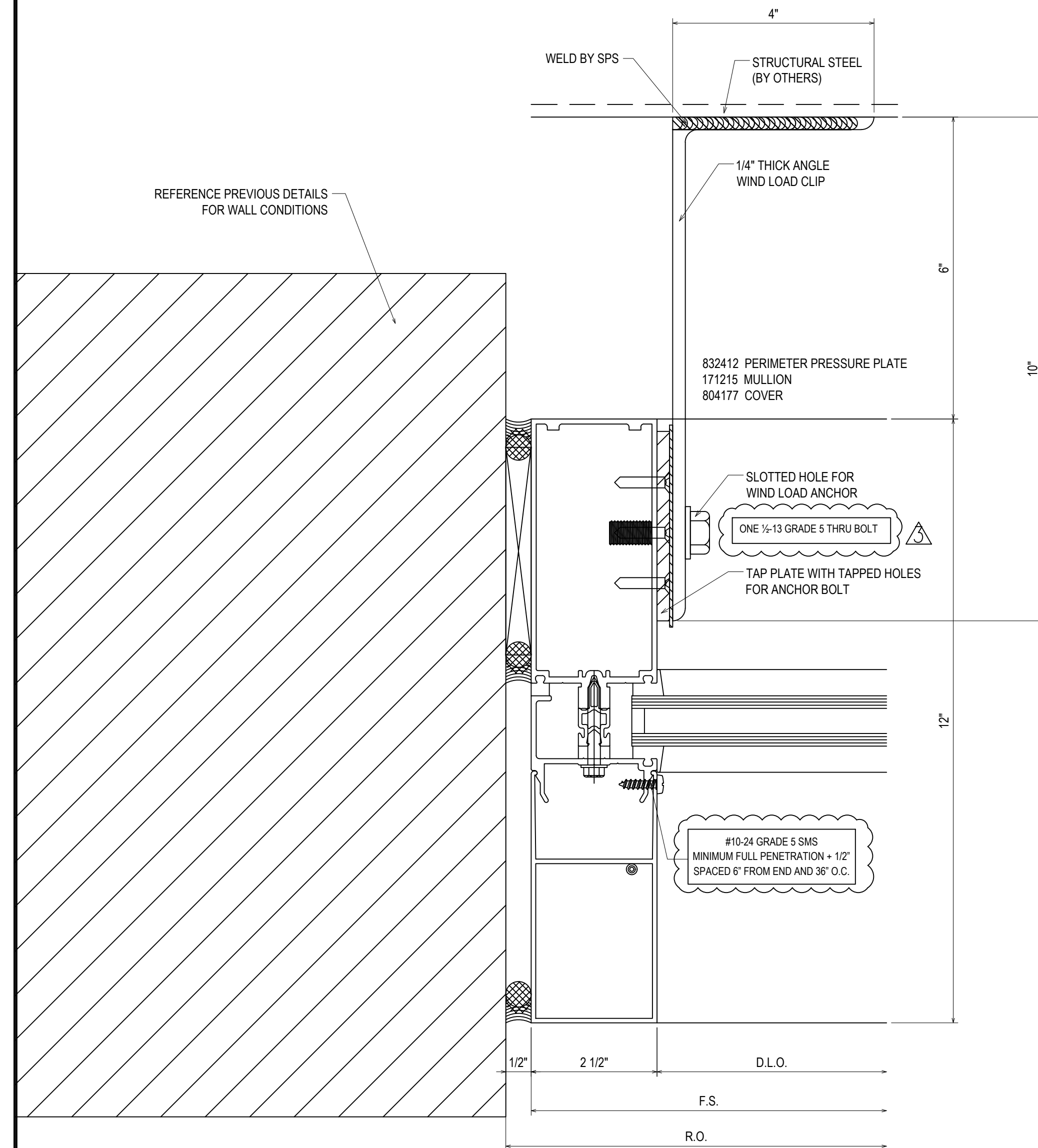
VCU MONROE PARK CAMPUS STEM FACILITY
 RICHMOND, VIRGINIA
 ARCHITECT: BALLINGER
 CUSTOMER: SPS CORPORATION

SPS Corporation
 Fort Wayne, Indiana Raleigh, North Carolina
 Indianapolis, Indiana Charlotte, North Carolina

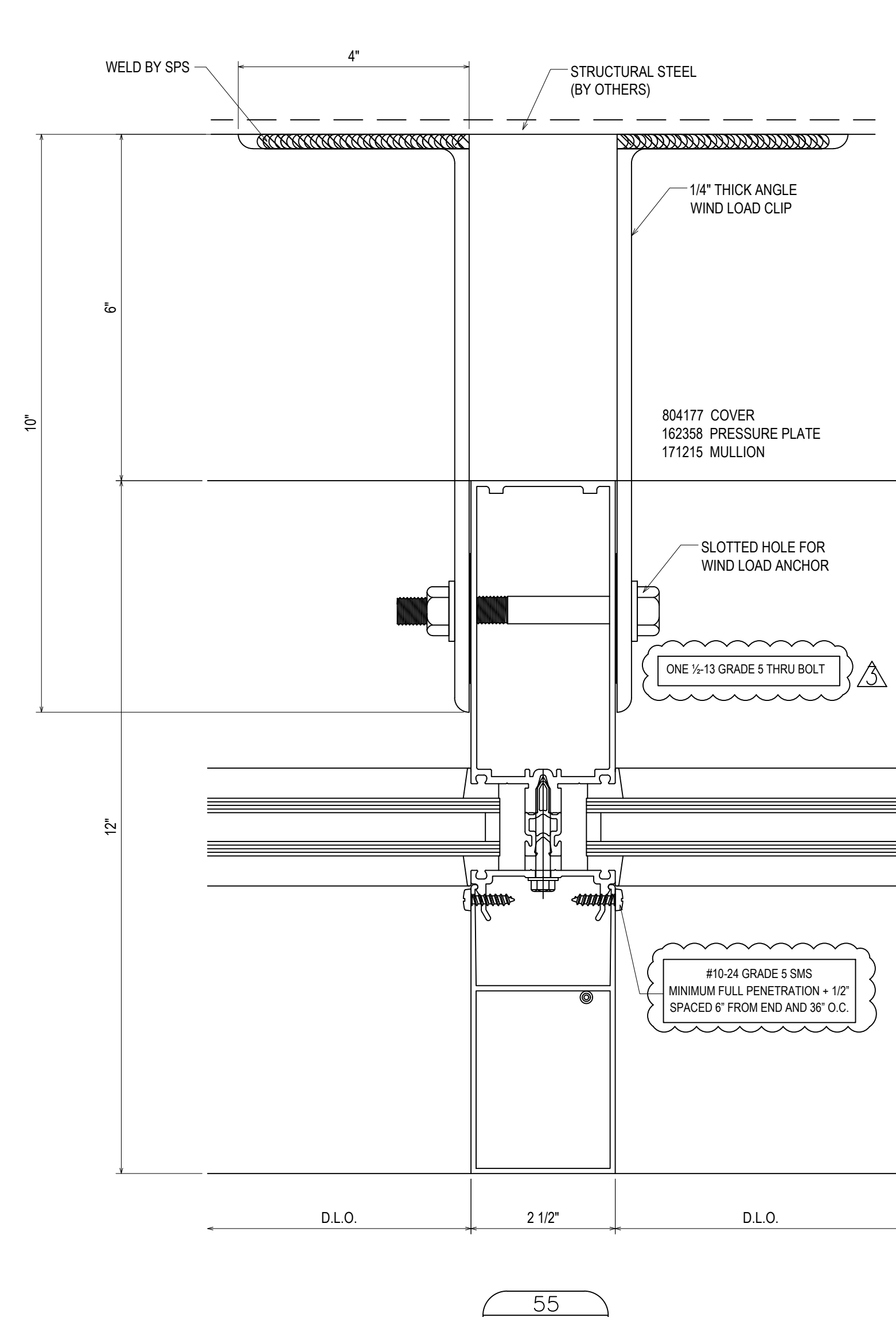
Drawn By: DJ
 Date Drawn: 2/4/21
 Checked By: LW
 Date Checked: 2/4/21
 Scale: 6" = 1'-0"
 File No.: xxxx-xx
 Job Name: VCU STERN
 SHEET

GENERAL INSTALLATION NOTE (TYPICAL ALL DETAILS):
SEAL HEADS OF ALL FASTENERS WITHIN THE GLAZING POCKET

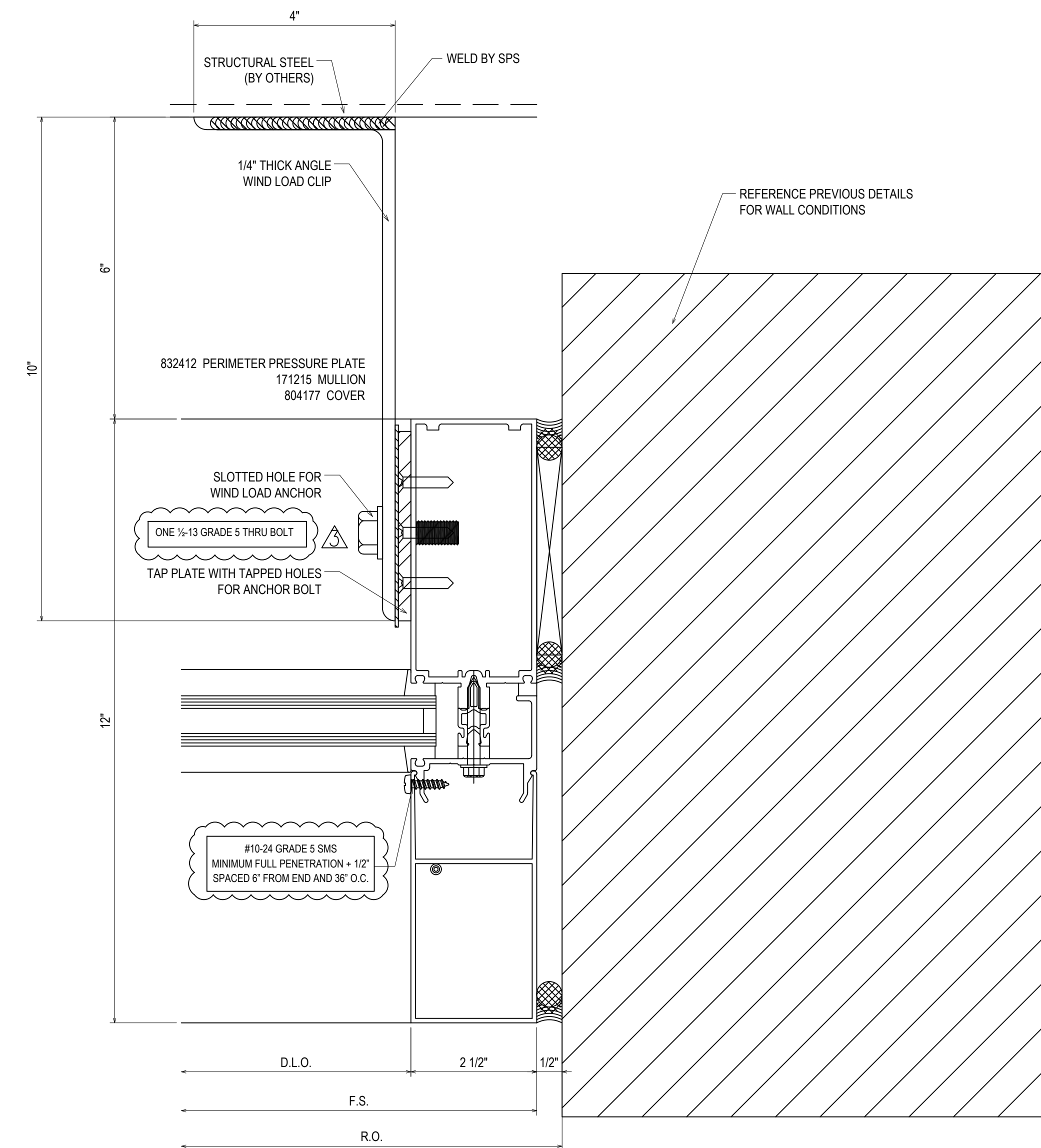
REVISIONS	BY
△ 5/19/21	CW
△ 6/8/21	CW
△ 6/15/21	CW
△ 8/6/21	CW
△ 8/26/21	CW
△ 9/16/21	CW



54
3.14
REF: 3/A530
CW31 - CW33 - CW34



55
3.14
REF: 3/A530
CW32 - CW33 - CW34



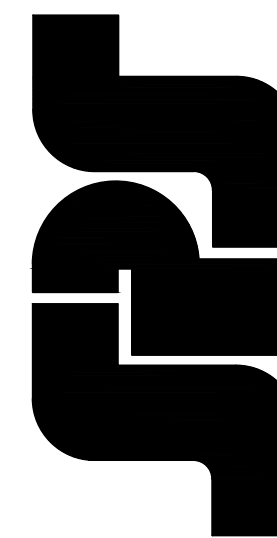
56
3.14
REF: 3/A530
CW31 - CW32 - CW34

VCU MONROE PARK CAMPUS STEM FACILITY

RICHMOND, VIRGINIA

ARCHITECT: BALLINGER
CUSTOMER: SPS CORPORATION

SPS Corporation
Fort Wayne, Indiana Raleigh, North Carolina
Indianapolis, Indiana Charlotte, North Carolina



Drawn By
DJ

Date Drawn
2/4/21

Checked By
LW

Date Checked
2/4/21

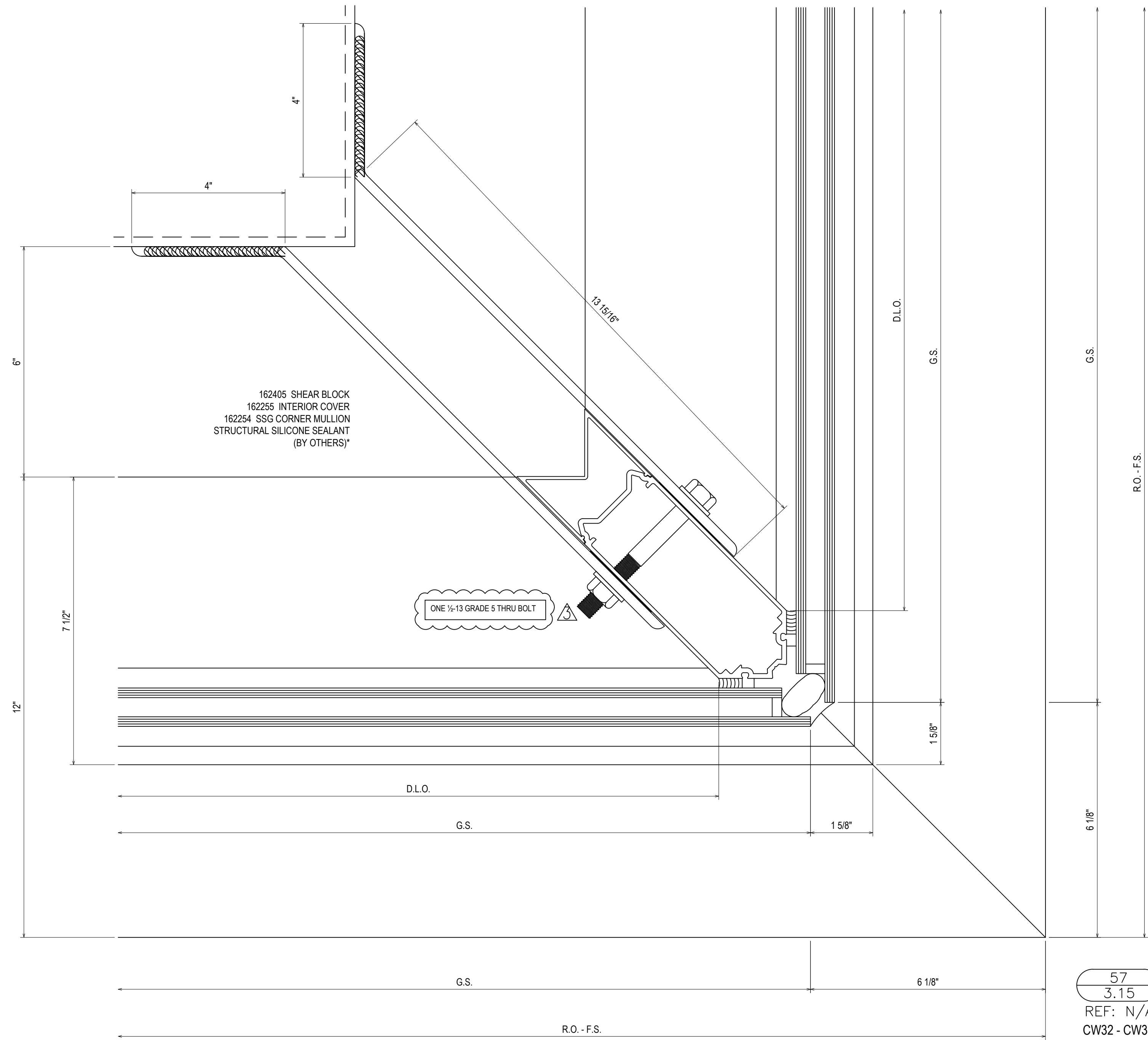
Scale
6" = 1'-0"

File No.
xxxx-xx

Job Name
VCU STERN

SHEET

GENERAL INSTALLATION NOTE (TYPICAL ALL DETAILS):
SEAL HEADS OF ALL FASTENERS WITHIN THE GLAZING POCKET



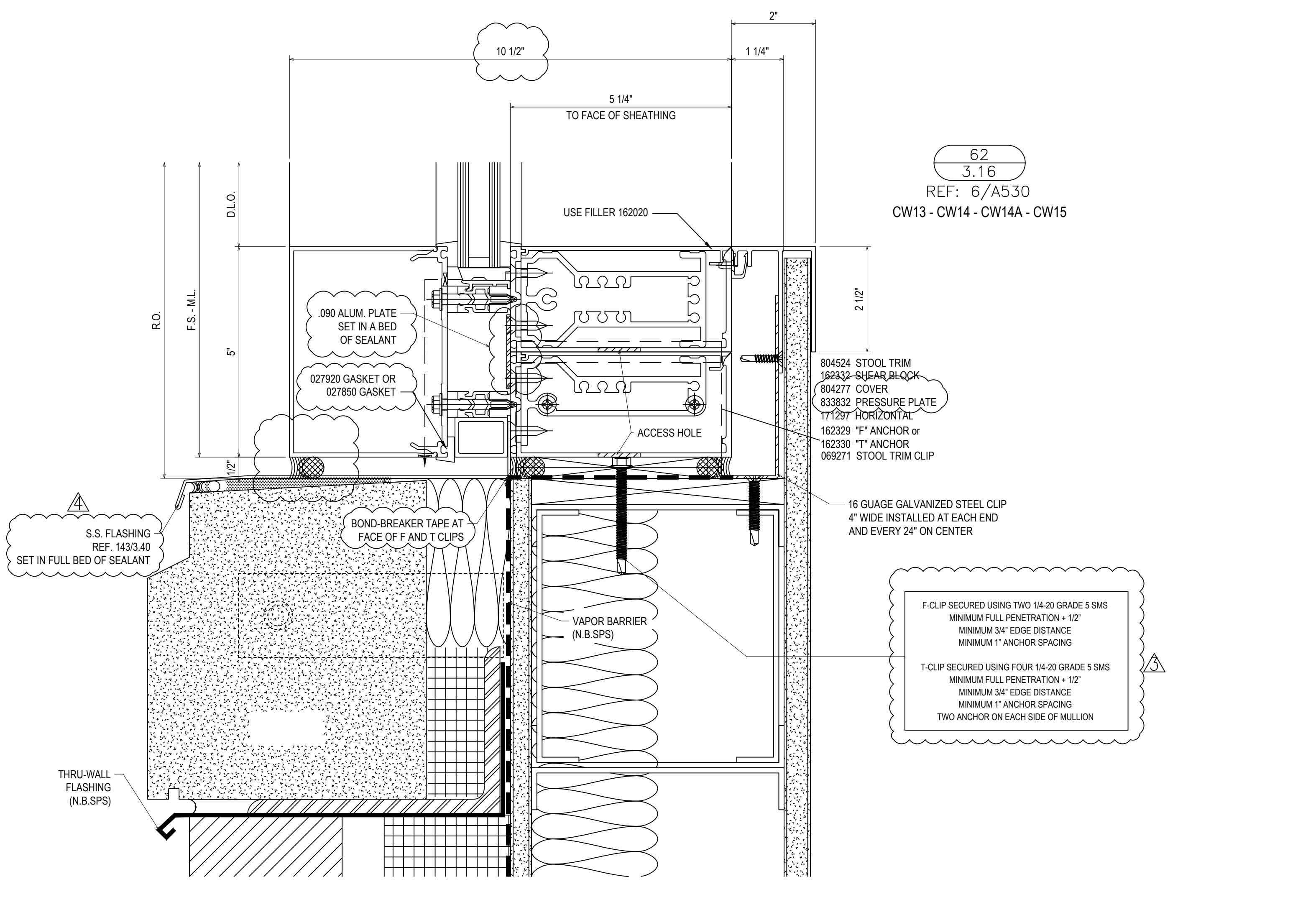
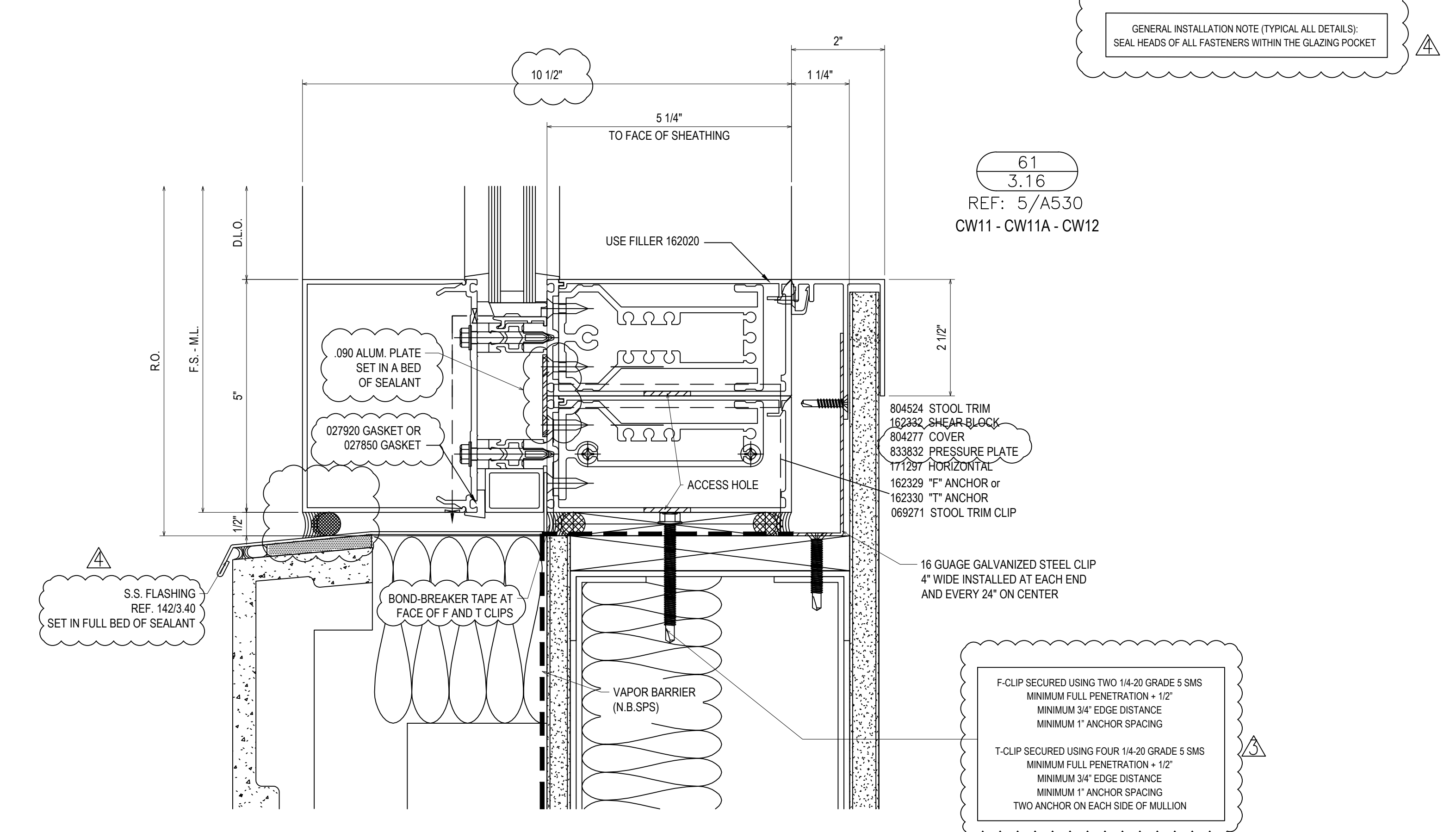
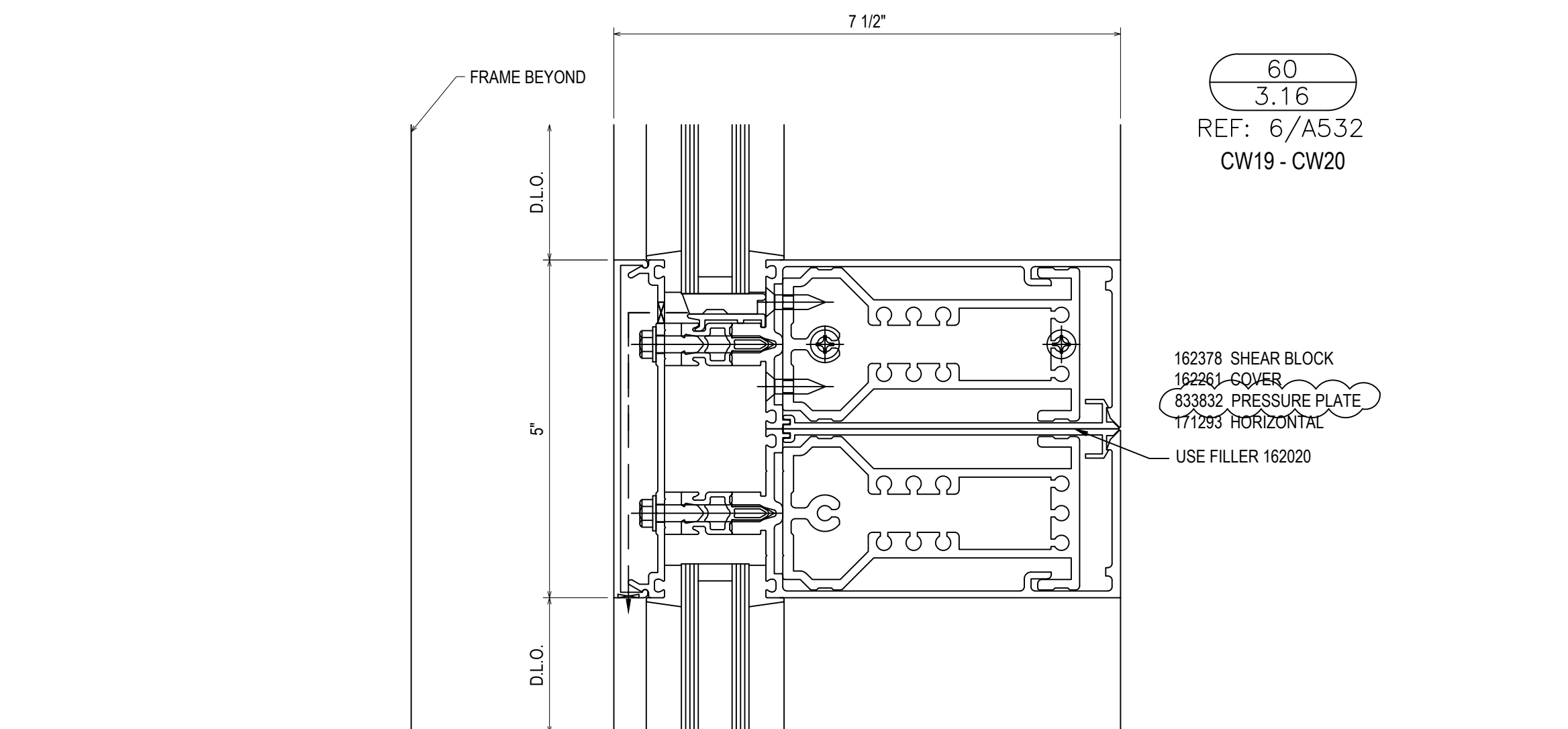
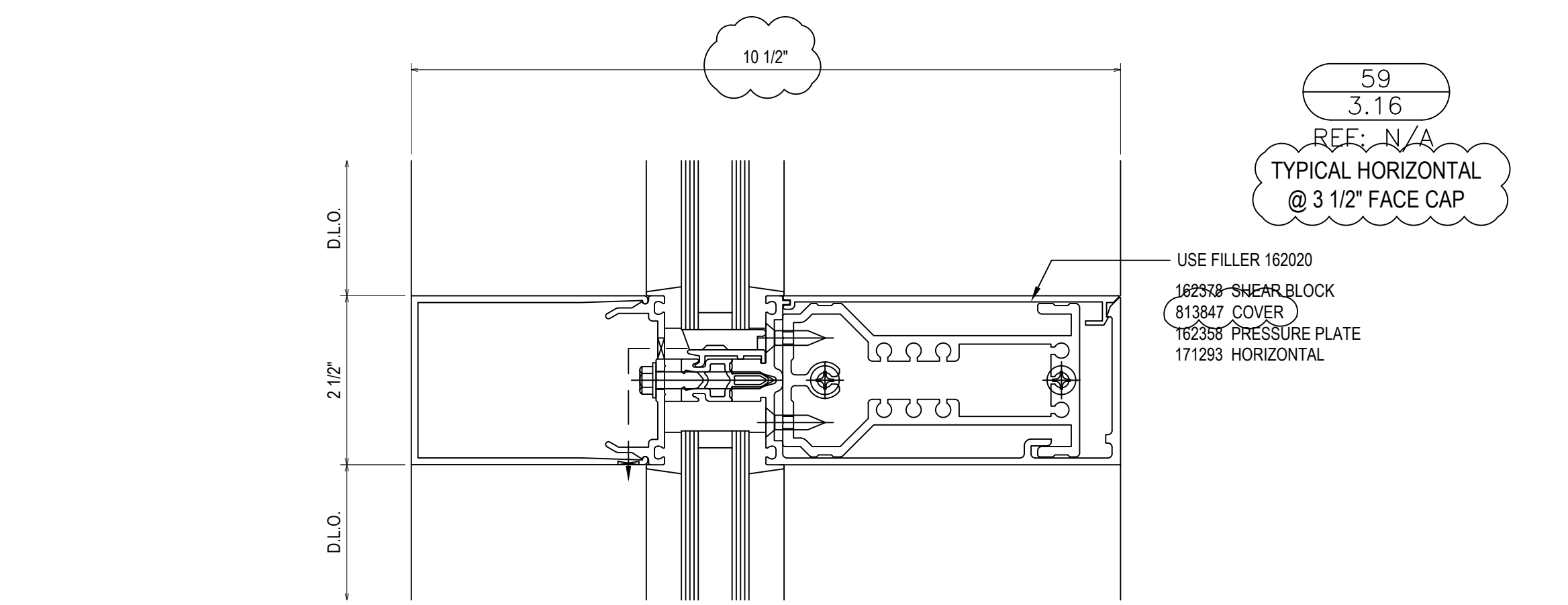
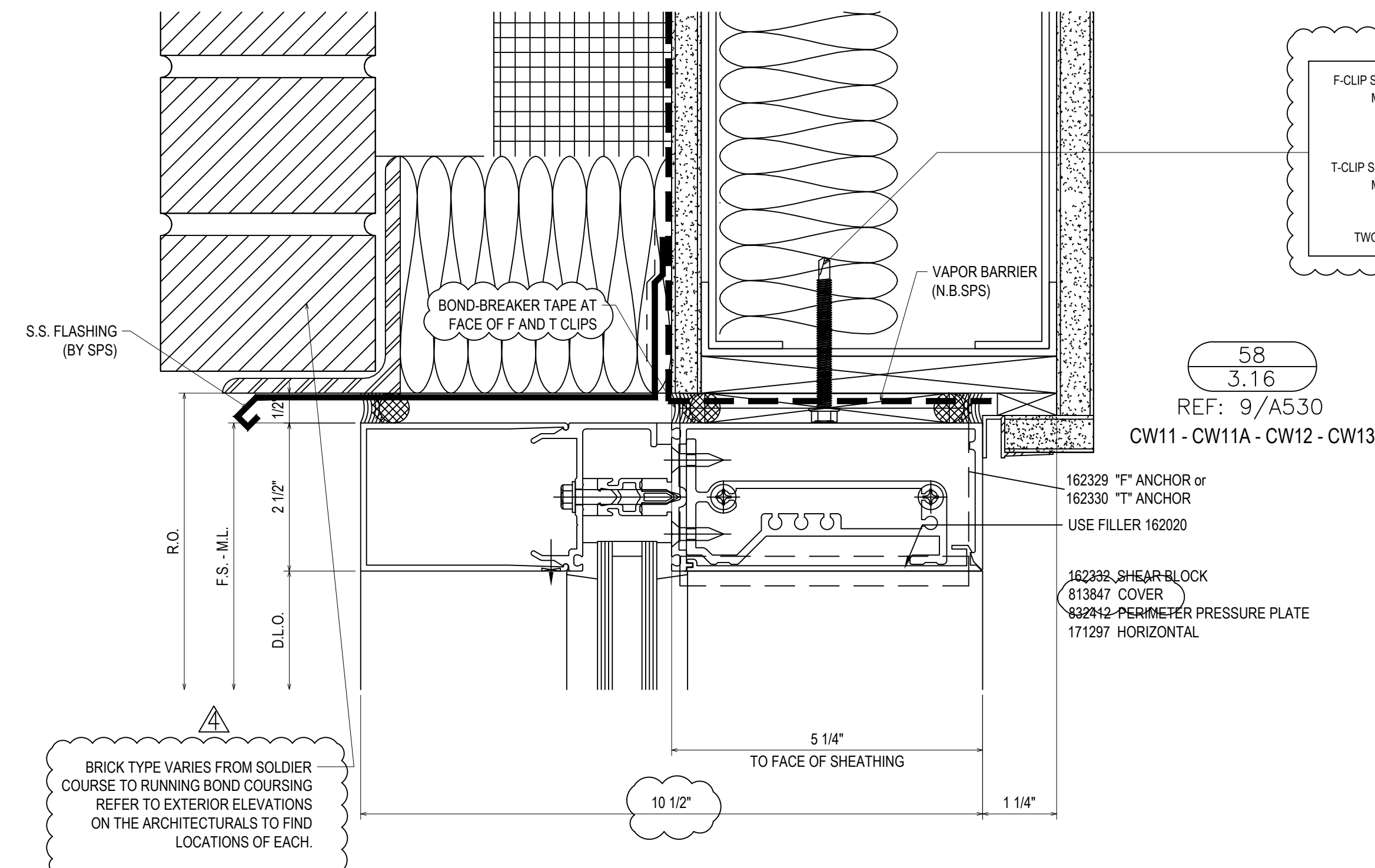
57
3.15
REF: N/A
CW32 - CW33

REVISIONS	BY
△	5/19/21 CW
△	6/8/21 CW
△	6/15/21 CW
△	8/6/21 CW
△	8/26/21 CW
△	9/16/21 CW

VCU MONROE PARK CAMPUS STEM FACILITY
RICHMOND, VIRGINIA
ARCHITECT: BALLINGER
CUSTOMER: SPS CORPORATION

SPS Corporation
Fort Wayne, Indiana Raleigh, North Carolina
Indianapolis, Indiana Charlotte, North Carolina

Drawn By DJ
Date Drawn 2/4/21
Checked By LW
Date Checked 2/4/21
Scale 6" = 1'-0"
File No. xxxx-xx
Job Name VCU STERN
SHEET



REVISIONS	BY
5/19/21	CW
6/8/21	CW
6/15/21	CW
8/6/21	CW
8/26/21	CW
9/16/21	CW

VCU MONROE PARK CAMPUS STEM FACILITY

RICHMOND, VIRGINIA

ARCHITECT: BALLINGER

CUSTOMER: SPS CORPORATION

SPS Corporation

Fort Wayne, Indiana Raleigh, North Carolina
Indianapolis, Indiana Charlotte, North Carolina

Drawn By: DJ

Date Drawn: 2/4/21

Checked By: LW

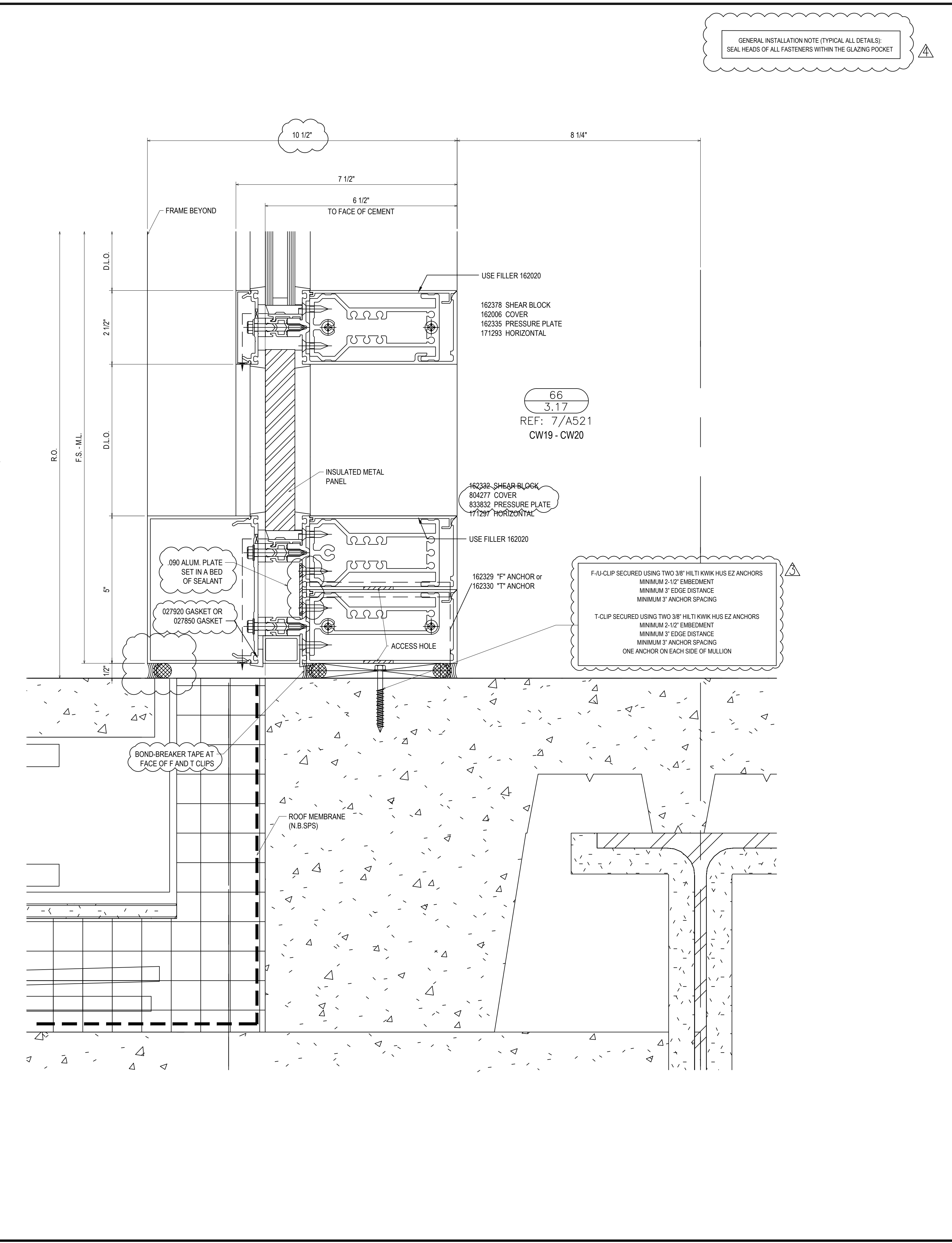
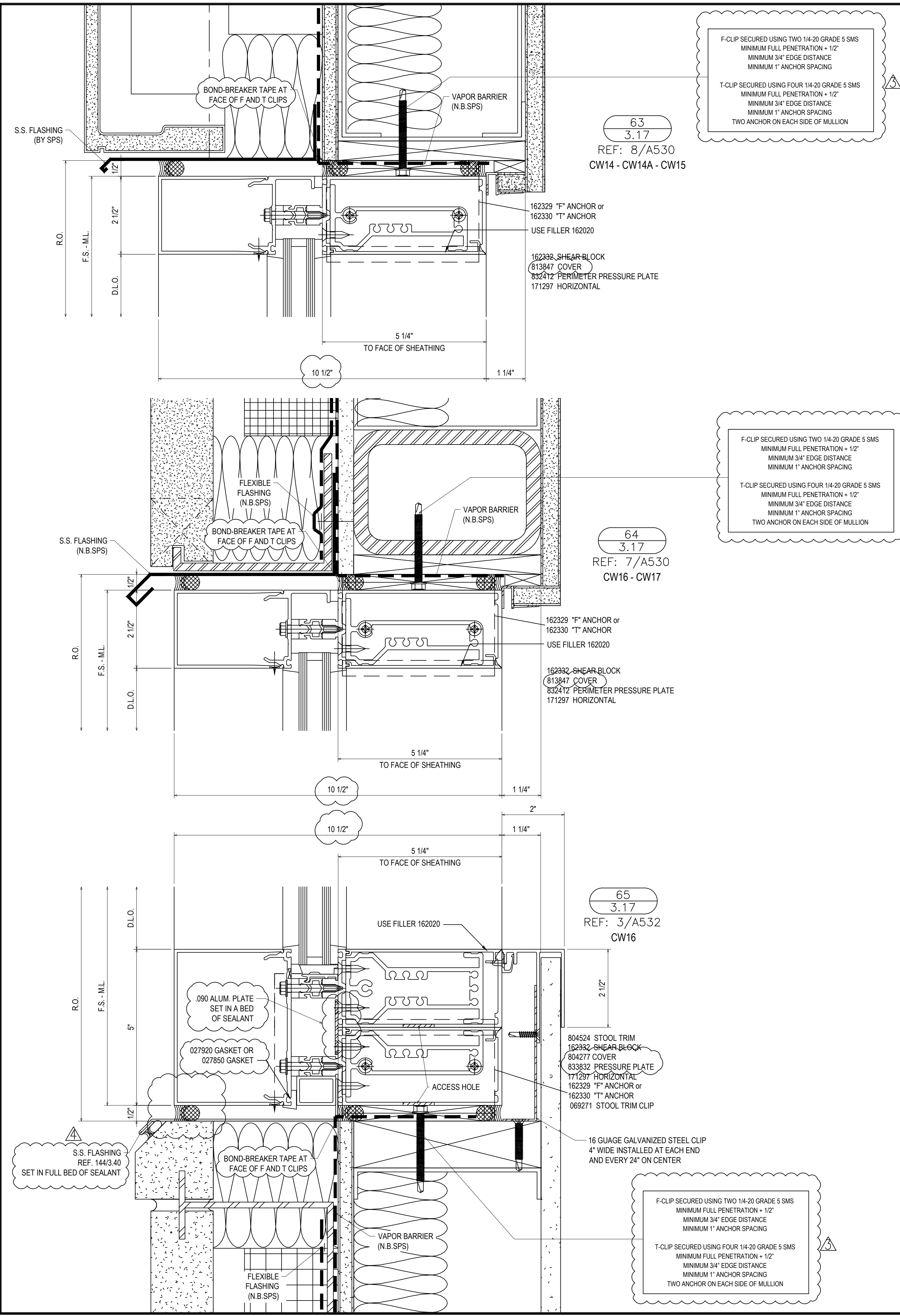
Date Checked: 2/4/21

Scale: 6" = 1'-0"

File No.: xxxx-xx

Job Name: VCU STERN

SHEET



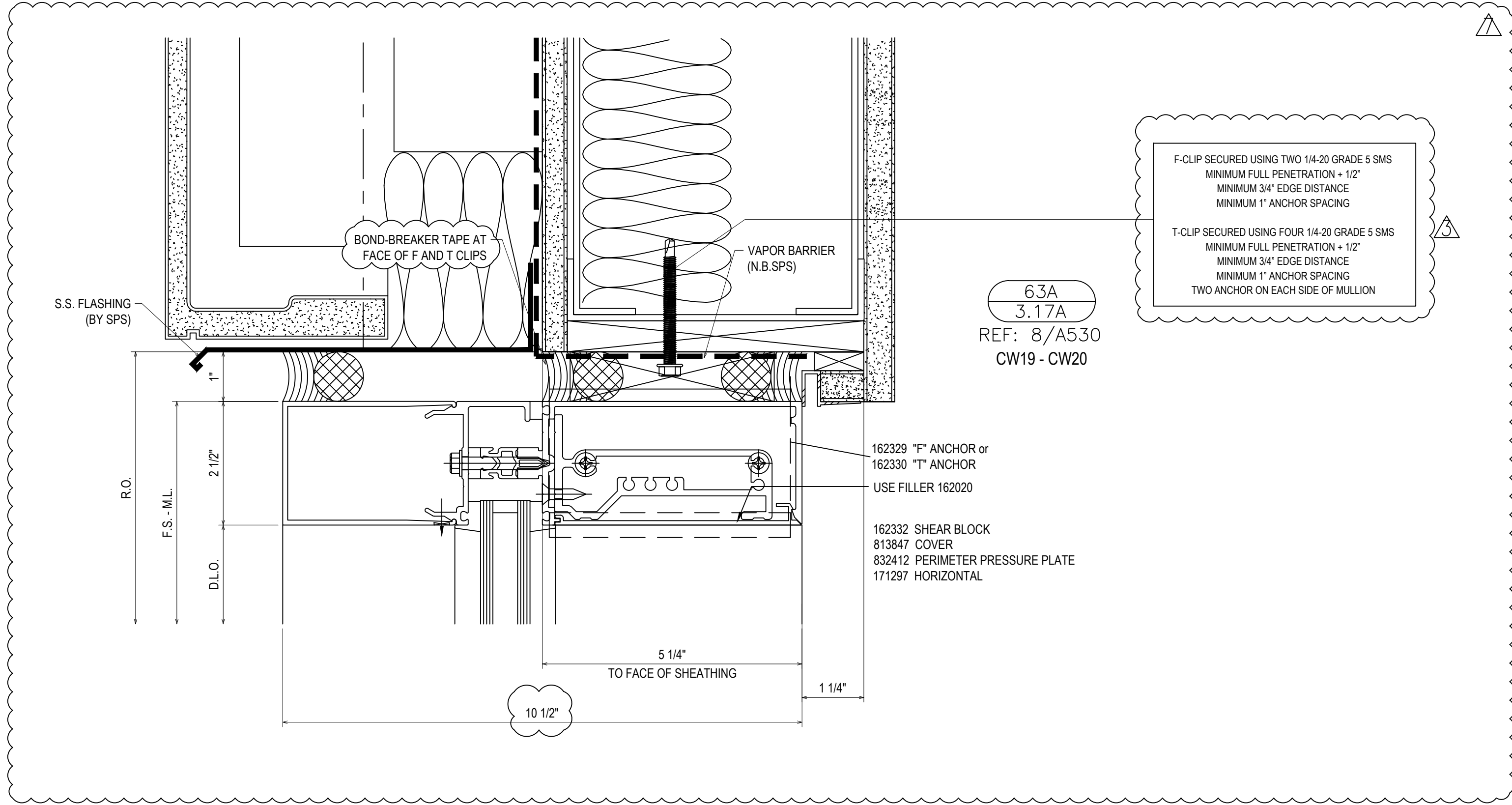
REVISIONS	BY
△ 5/19/21	CW
△ 6/8/21	CW
△ 6/15/21	CW
△ 8/6/21	CW
△ 8/26/21	CW
△ 9/16/21	CW

VCU MONROE PARK CAMPUS STEM FACILITY
RICHMOND, VIRGINIA
ARCHITECT: BALLINGER
CUSTOMER: SPS CORPORATION

SPS Corporation
Fort Wayne, Indiana Raleigh, North Carolina
Indianapolis, Indiana Charlotte, North Carolina

Drawn By: DJ
Date Drawn: 2/4/21
Checked By: LW
Date Checked: 2/4/21
Scale: 6" = 1'-0"
File No.: xxxx-xx
Job Name: VCU STERN
SHEET

GENERAL INSTALLATION NOTE (TYPICAL ALL DETAILS):
SEAL HEADS OF ALL FASTENERS WITHIN THE GLAZING POCKET



F-CLIP SECURED USING TWO 1/4-20 GRADE 5 SMS
MINIMUM FULL PENETRATION + 1/2"
MINIMUM 3/4" EDGE DISTANCE
MINIMUM 1" ANCHOR SPACING

T-CLIP SECURED USING FOUR 1/4-20 GRADE 5 SMS
MINIMUM FULL PENETRATION + 1/2"
MINIMUM 3/4" EDGE DISTANCE
MINIMUM 1" ANCHOR SPACING
TWO ANCHOR ON EACH SIDE OF MULLION

6.3A
3.17A
REF: 8/A530
CW19 - CW20

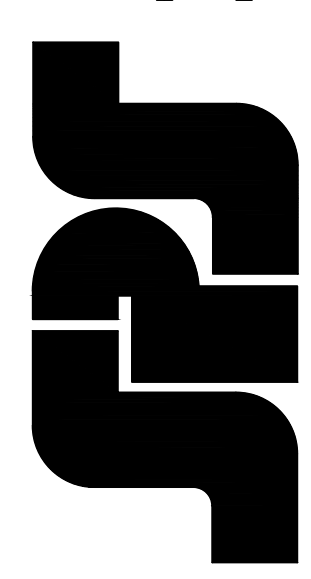
162329 "F" ANCHOR or
162330 "T" ANCHOR
USE FILLER 162020

162332 SHEAR BLOCK
813847 COVER
832412 PERIMETER PRESSURE PLATE
171297 HORIZONTAL

REVISIONS	BY
△ 5/19/21	CW
△ 6/8/21	CW
△ 6/15/21	CW
△ 8/6/21	CW
△ 8/26/21	CW
△ 9/16/21	CW

VCU MONROE PARK CAMPUS STEM FACILITY
RICHMOND, VIRGINIA
ARCHITECT: BALLINGER
CUSTOMER: SPS CORPORATION

SPS Corporation
Fort Wayne, Indiana Raleigh, North Carolina
Indianapolis, Indiana Charlotte, North Carolina



Drawn By
DJ

Date Drawn
2/4/21

Checked By
LW

Date Checked
2/4/21

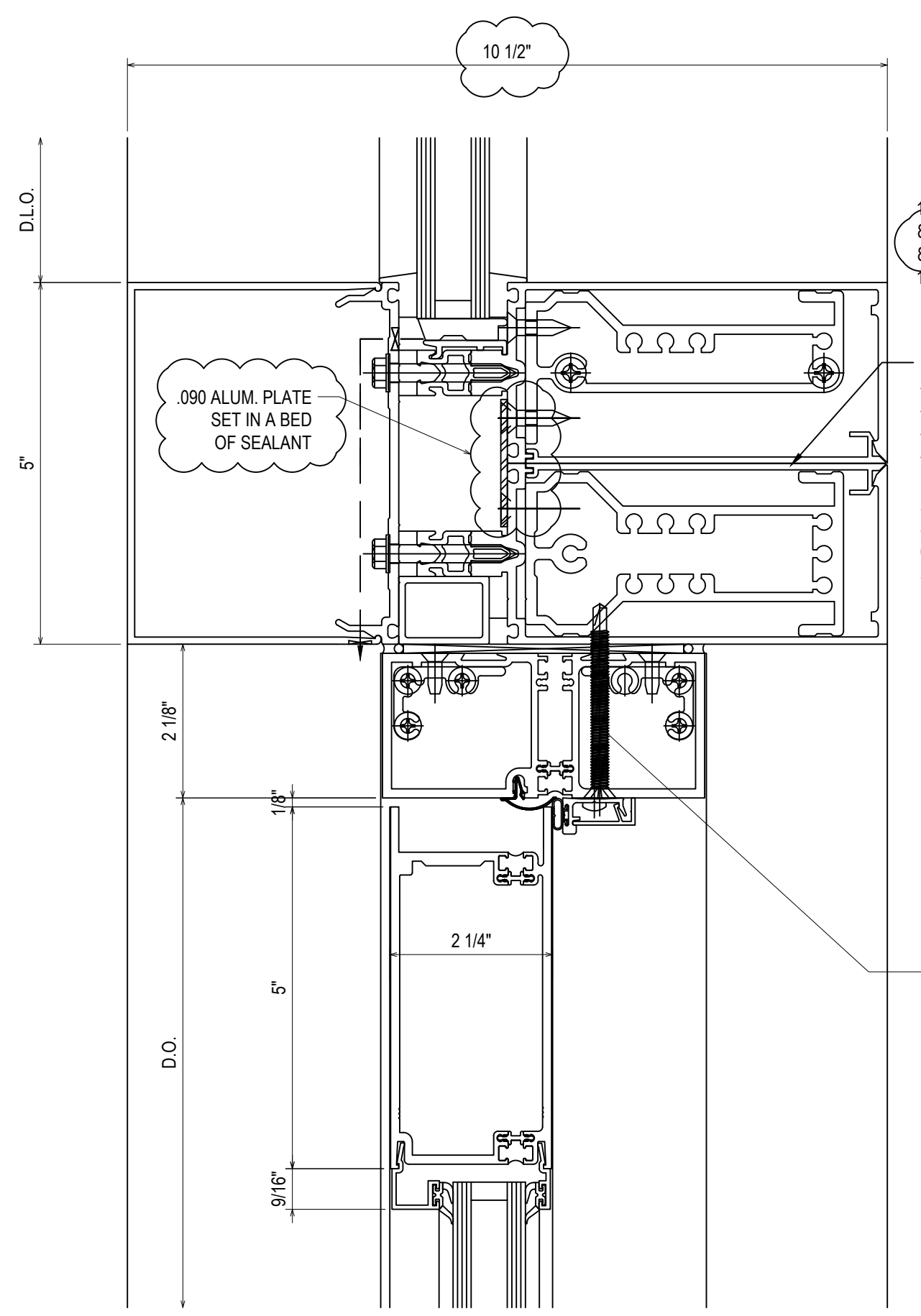
Scale
6" = 1'-0"

File No.
xxxx-xx

Job Name
VCU STERN

SHEET

3.17A



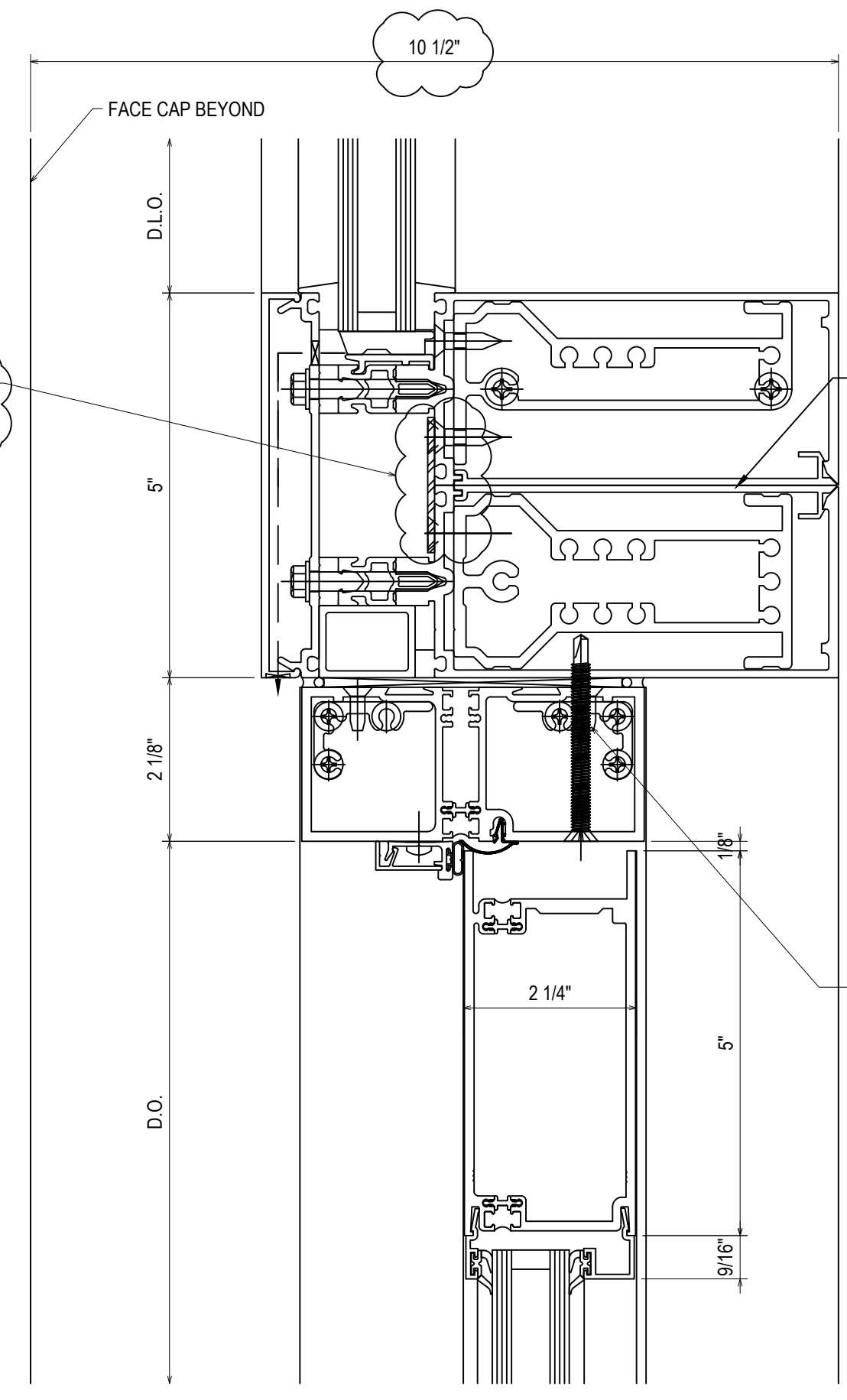
162332 SHEAR BLOCK
804277 COVER
833832 PRESSURE PLATE
171297 HORIZONTAL

USE FILLER 162020
128200 #8 X 1-1/4" PHTF TYPE "AB"
178496 THERMAL SEPARATOR
128930 #10 X 3/4" FHTF AB
128570 #10 X 1-7/8" PHTF B

534111 S/A DOOR T-BAR
451T402 T-BAR/HEADER SHEAR BLOCK PKG
027413 JAMB WEATHERING
532123 5" STD WEB TOP DOOR RAIL

67
3.18
REF: N/A
CW17

#12-24 GRADE 5 SMS WITH A MINIMUM FULL PENETRATION + 1/2"
MINIMUM 3/8" EDGE DISTANCE
SPACED 3" FROM END AND 24" O.C. THEREAFTER



162332 SHEAR BLOCK
152261 COVER
833832 PRESSURE PLATE
171297 HORIZONTAL

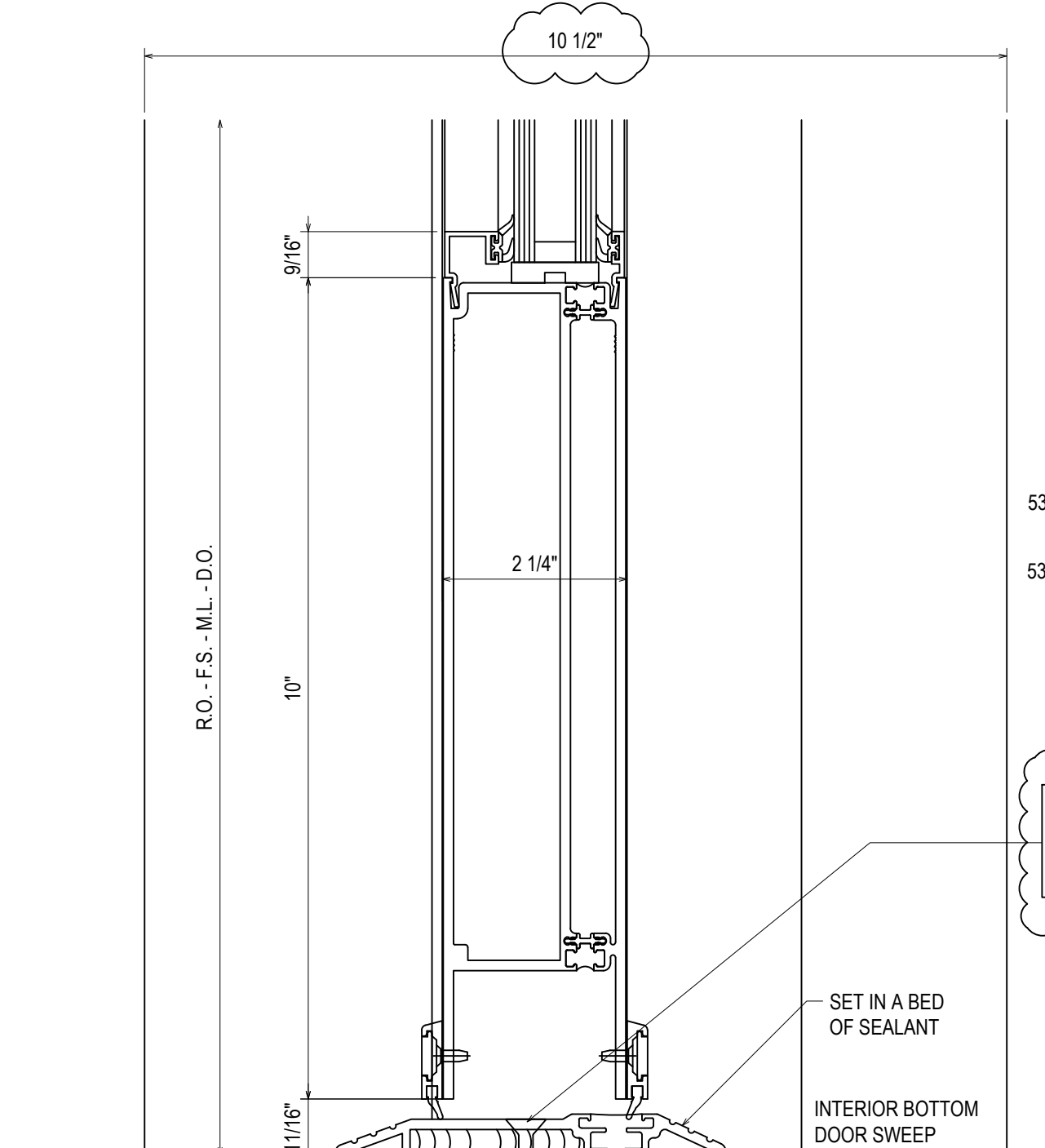
USE FILLER 162020
128200 #8 X 1-1/4" PHTF TYPE "AB"
178496 THERMAL SEPARATOR
128930 #10 X 3/4" FHTF AB
128570 #10 X 1-7/8" PHTF B

534111 S/A DOOR T-BAR
451T402 T-BAR/HEADER SHEAR BLOCK PKG
027413 JAMB WEATHERING
532123 5" STD WEB TOP DOOR RAIL

69
3.18
REF: N/A
CW19

#12-24 GRADE 5 SMS WITH A MINIMUM FULL PENETRATION + 1/2"
MINIMUM 3/8" EDGE DISTANCE
SPACED 3" FROM END AND 24" O.C. THEREAFTER

GENERAL INSTALLATION NOTE (TYPICAL ALL DETAILS):
SEAL HEADS OF ALL FASTENERS WITHIN THE GLAZING POCKET



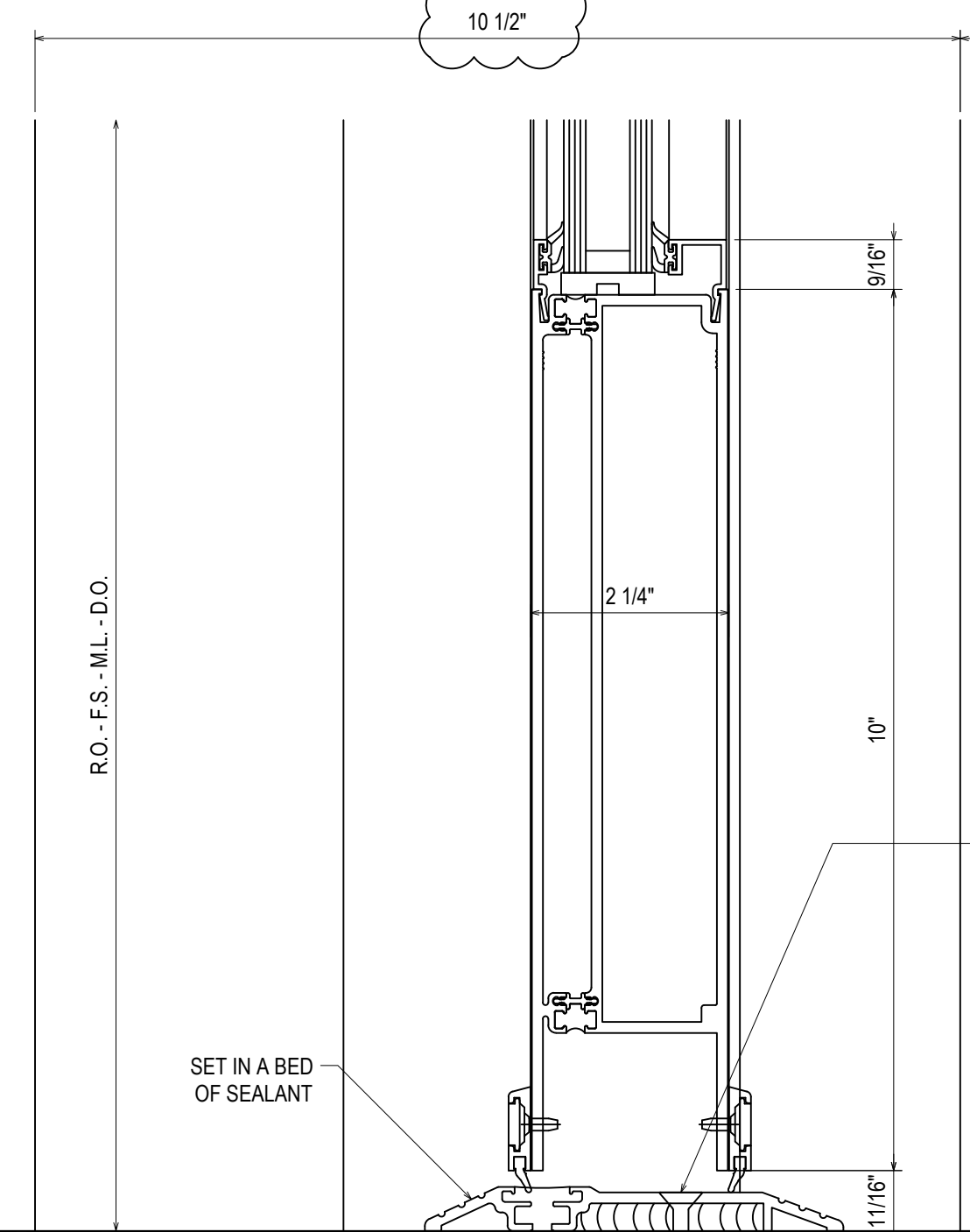
68
3.18
REF: 1/A524
CW17

532119 STANDARD 10"
BOTTOM DOOR RAIL
534107 THERMAL DOOR THRESHOLD

1/4" COUNTERSUNK HILTI KWIK CON II WITH MINIMUM 1-3/4" EMBEDMENT
MINIMUM 1-1/2" EDGE DISTANCE
SPACED 3" FROM END AND 18" O.C. THEREAFTER

COORDINATE THRESHOLD PRODUCT DEPTH
TO CONCEAL COMPRESSIBLE FILLER AND
TO PROVIDE POSITIVE DRAINAGE AWAY
FROM THE DOOR OPENING

SET IN A BED
OF SEALANT
INTERIOR BOTTOM
DOOR SWEEP



70
3.18
REF: 8/A521
CW19

532119 STANDARD 10"
BOTTOM DOOR RAIL
534107 THERMAL DOOR THRESHOLD

1/4" COUNTERSUNK HILTI KWIK CON II WITH MINIMUM 1-3/4" EMBEDMENT
MINIMUM 1-1/2" EDGE DISTANCE
SPACED 3" FROM END AND 18" O.C. THEREAFTER

COORDINATE THRESHOLD PRODUCT DEPTH
TO CONCEAL GAP AT EXTERIOR AND
TO PROVIDE POSITIVE DRAINAGE AWAY
FROM THE DOOR OPENING

SET IN A BED
OF SEALANT
INTERIOR BOTTOM
DOOR SWEEP

ROOF MEMBRANE
(N.B.SPS)

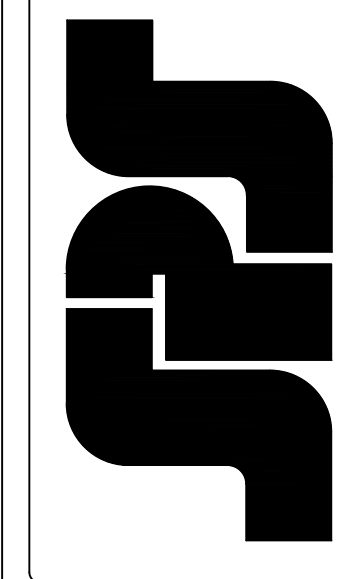
REVISIONS	BY
△	5/19/21 CW
△	6/8/21 CW
△	6/15/21 CW
△	8/6/21 CW
△	8/26/21 CW
△	9/16/21 CW

VCU MONROE PARK CAMPUS STEM FACILITY

RICHMOND, VIRGINIA

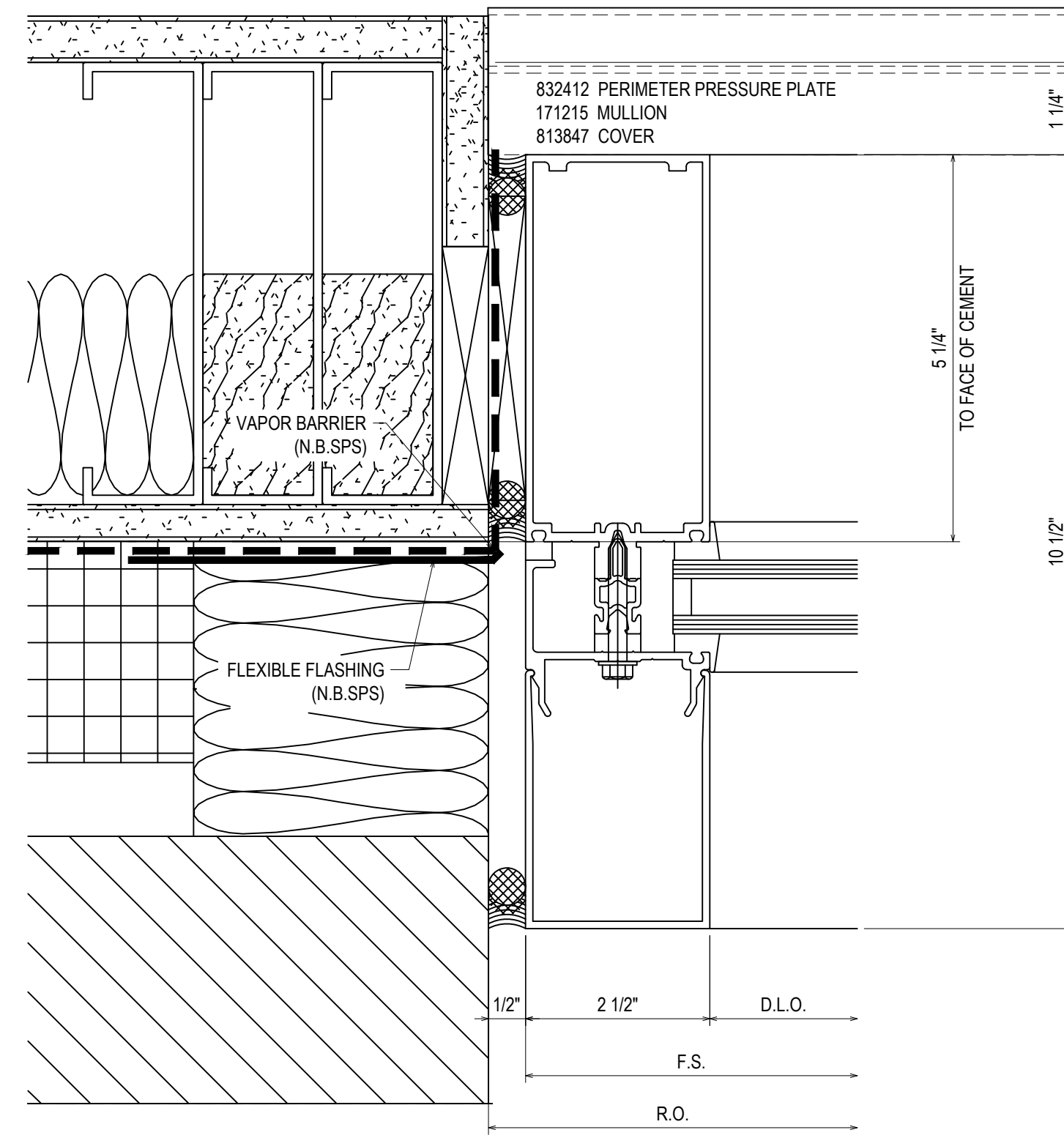
ARCHITECT: BALLINGER
CUSTOMER: SPS CORPORATION

SPS Corporation
Fort Wayne, Indiana Raleigh, North Carolina
Indianapolis, Indiana Charlotte, North Carolina

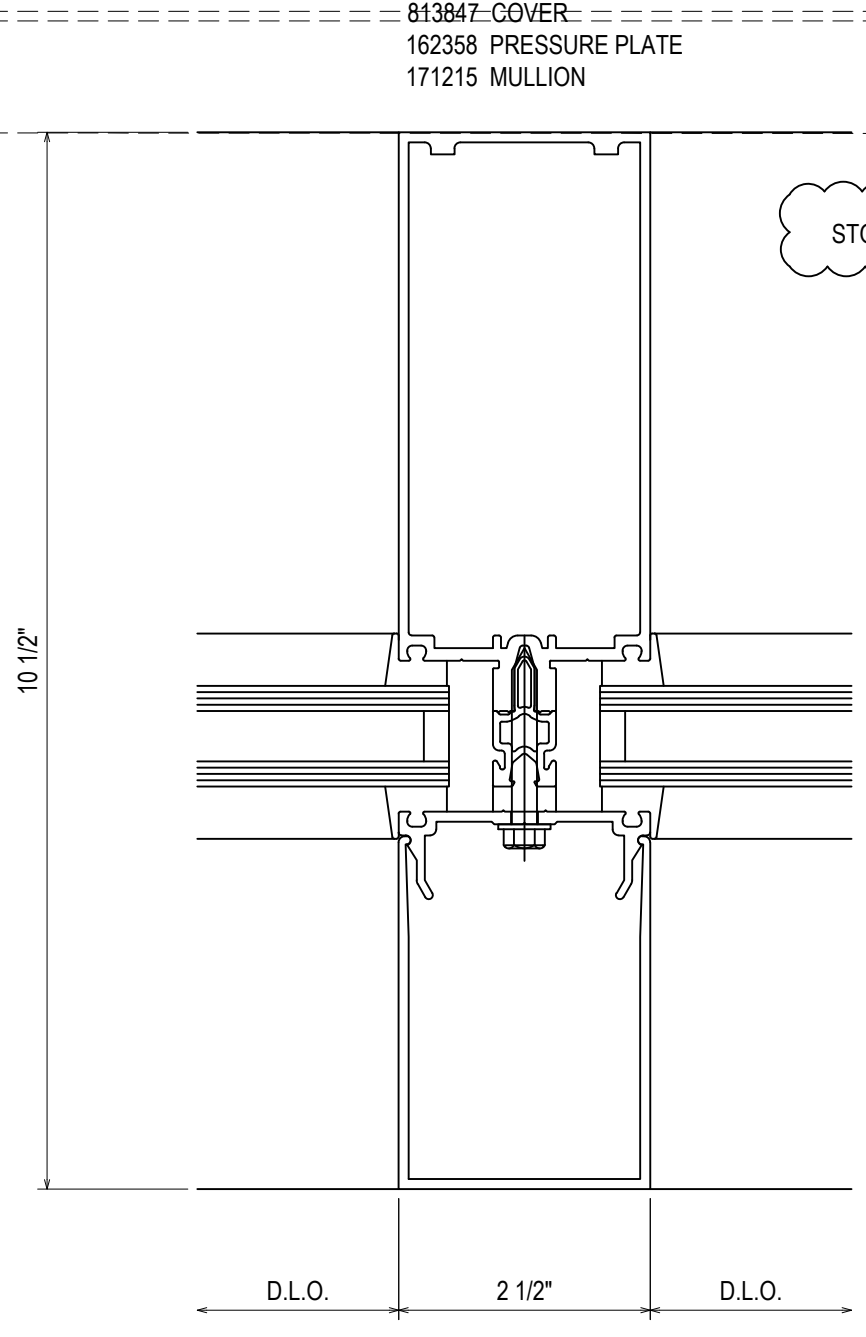


Drawn By	DJ
Date Drawn	2/4/21
Checked By	LW
Date Checked	2/4/21
Scale	6" = 1'-0"
File No.	xxxx-xx
Job Name	VCU STERN
SHEET	

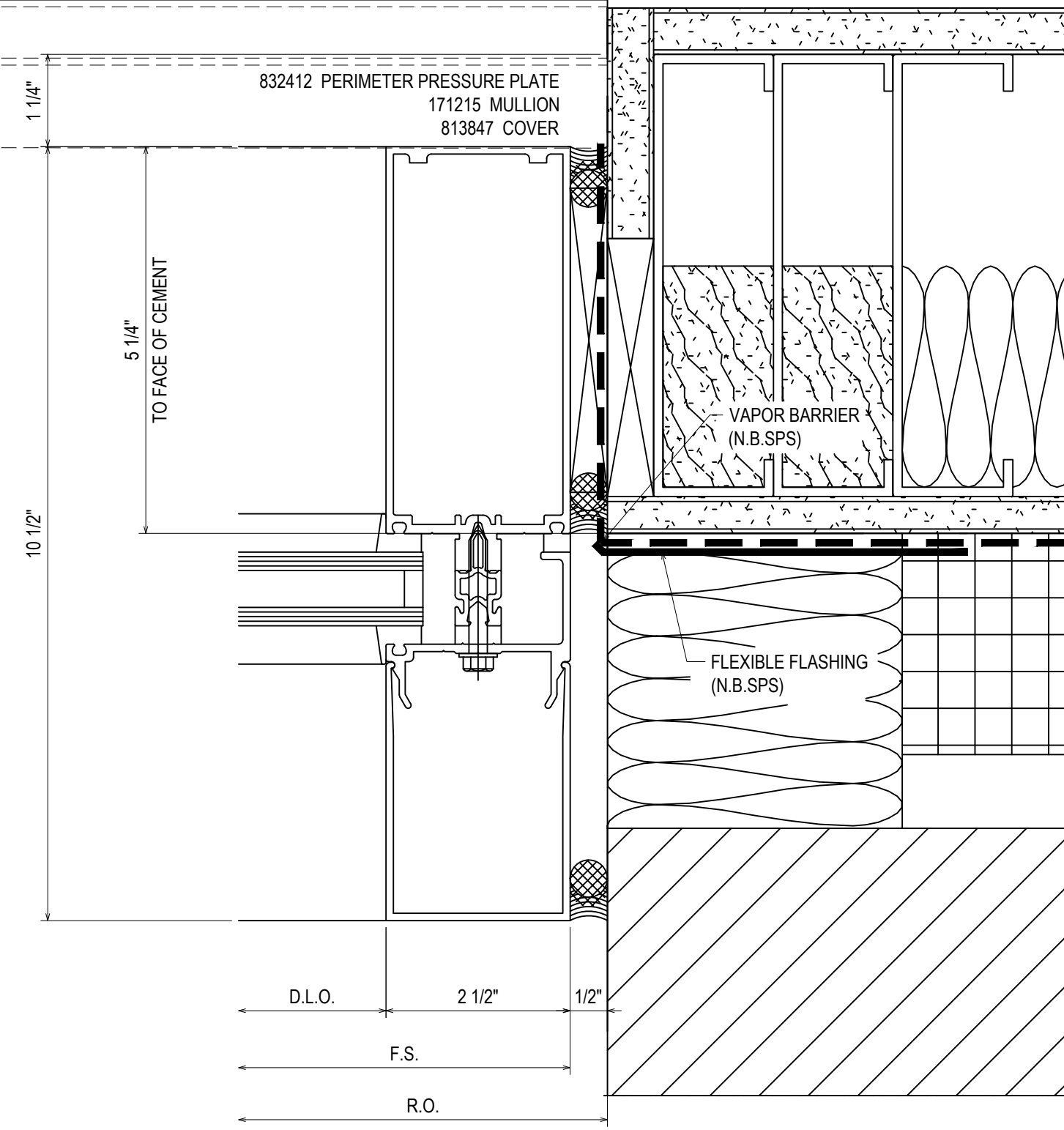
3.18



71
3.19
REF: 3/A530
CW11 - CW11A - CW12 - CW13
CW14 - CW14A - CW15 - CW19
CW20

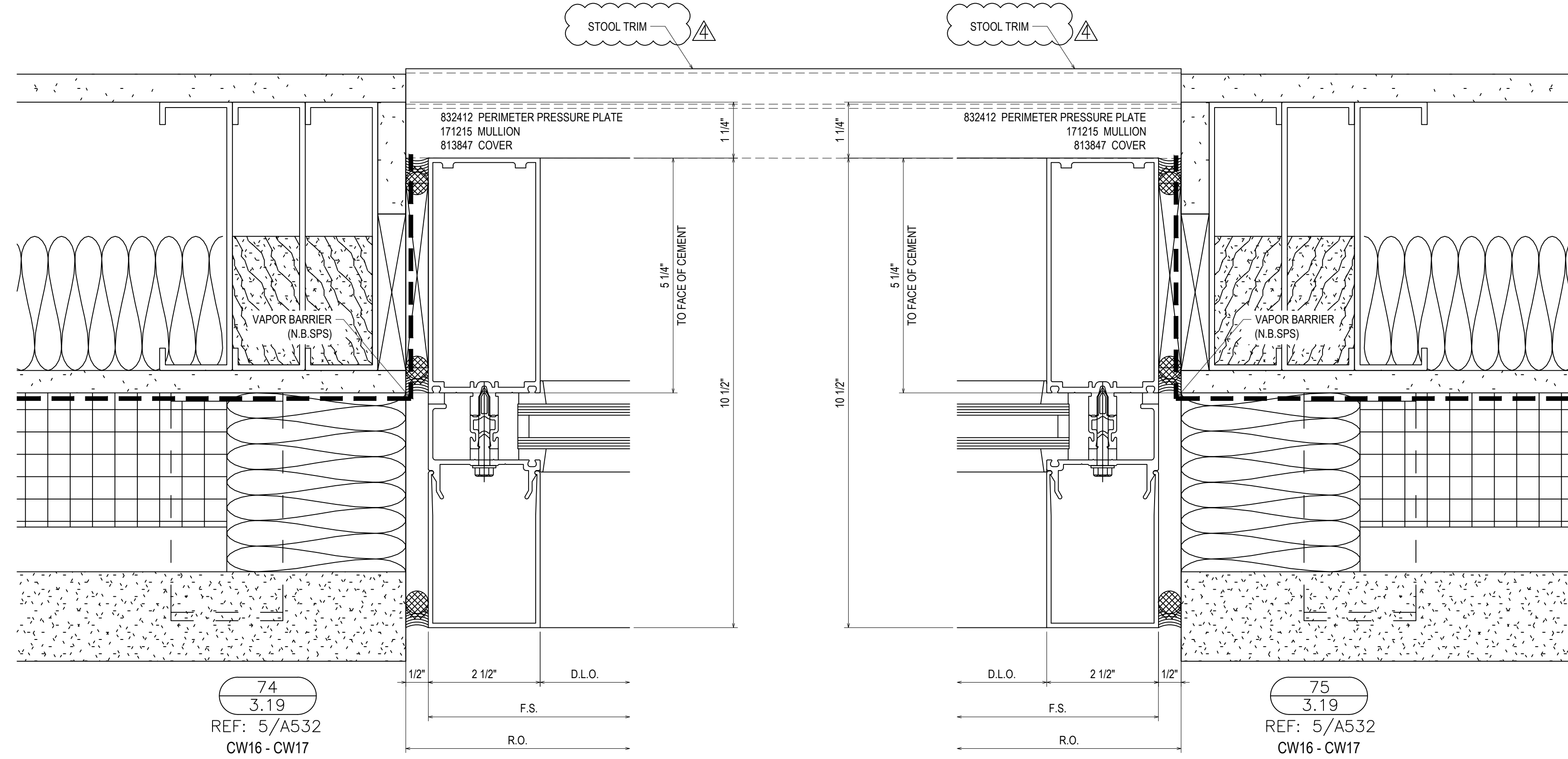


72
3.19
REF: N/A
TYPICAL VERTICAL
@ 3 1/2\"/>

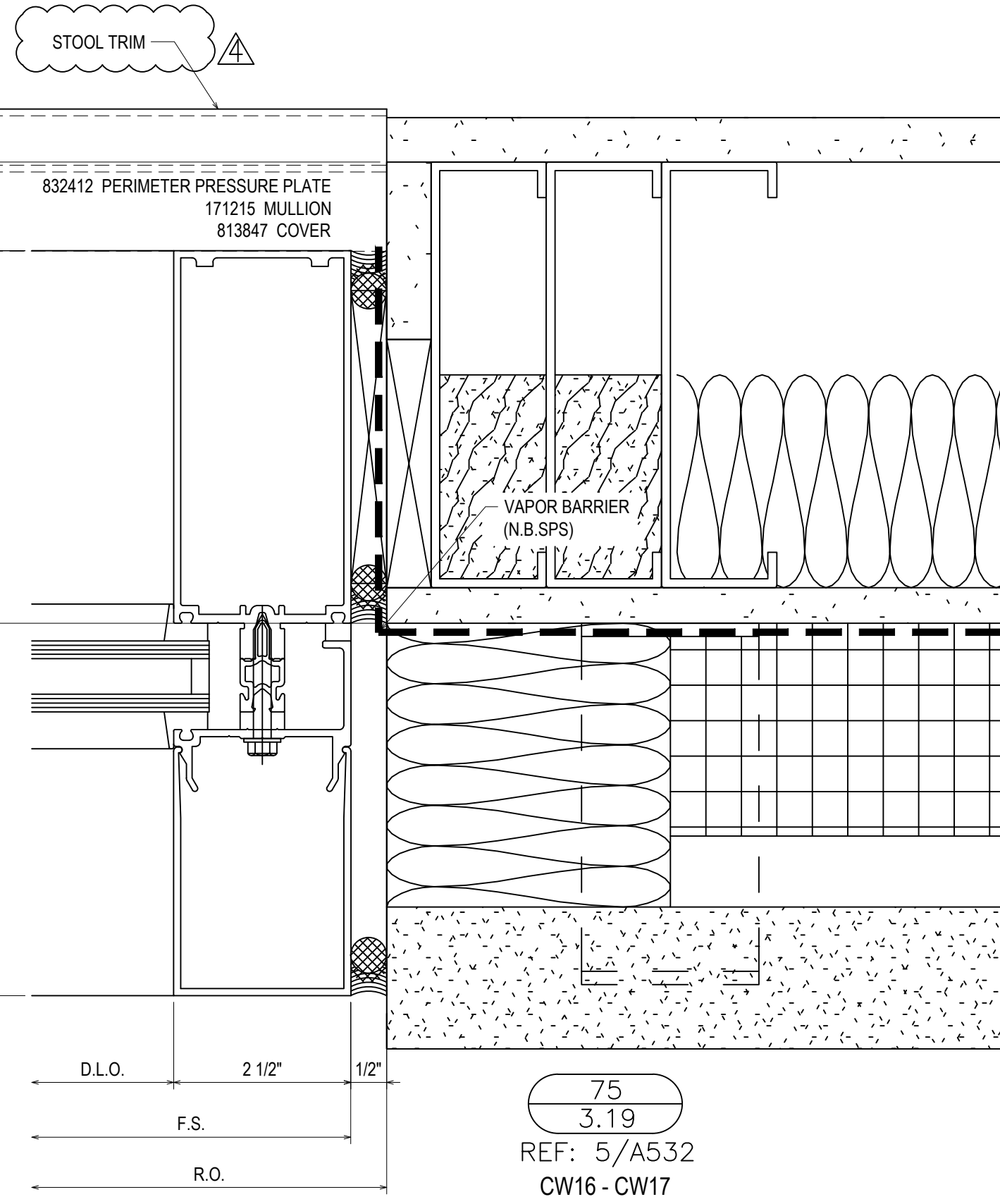


73
3.19
REF: 3/A530
CW11 - CW11A - CW12 - CW13
CW14 - CW14A - CW15 - CW19
CW20

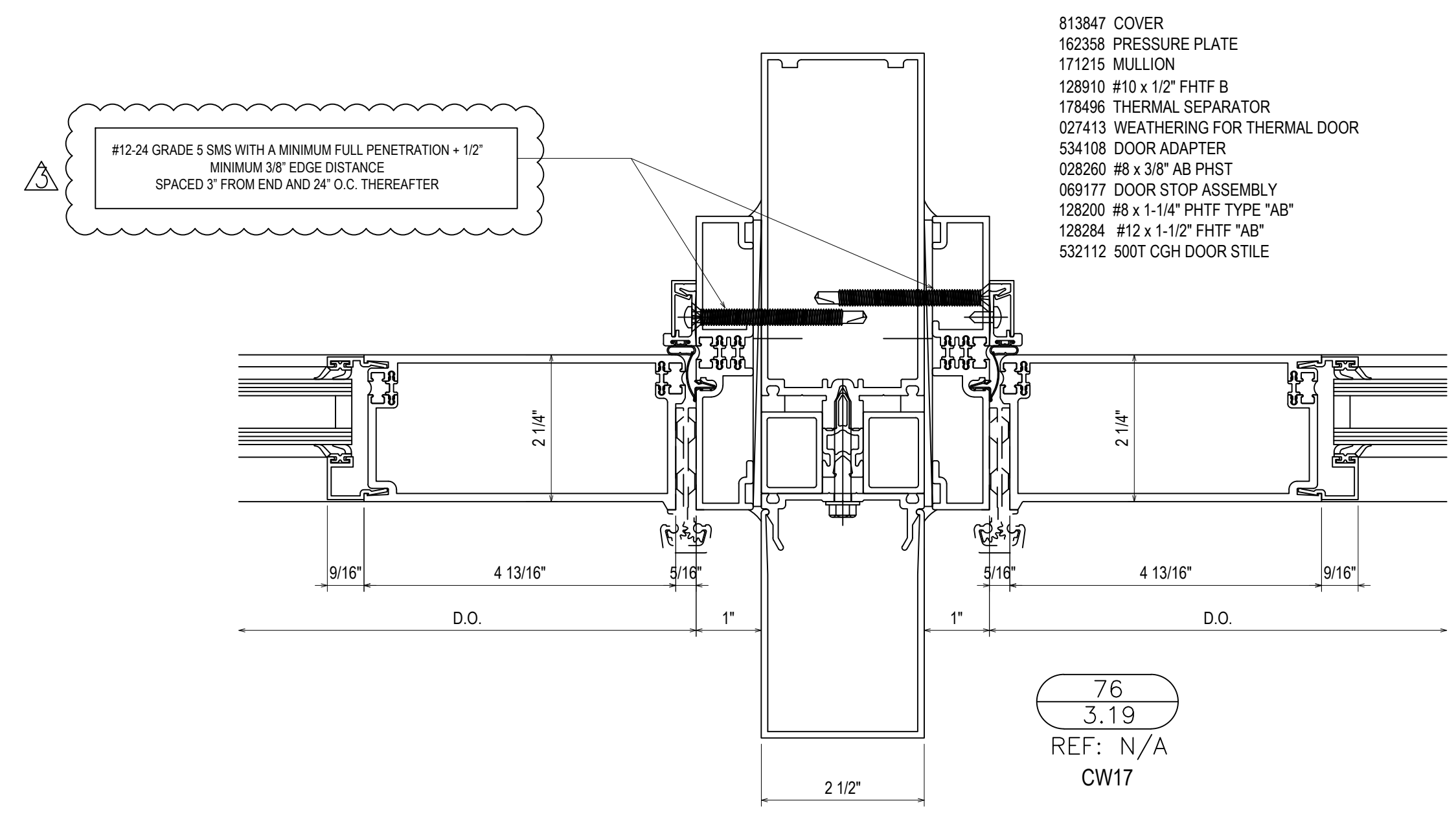
GENERAL INSTALLATION NOTE (TYPICAL ALL DETAILS):
SEAL HEADS OF ALL FASTENERS WITHIN THE GLAZING POCKET



74
3.19
REF: 5/A532
CW16 - CW17



75
3.19
REF: 5/A532
CW16 - CW17



76
3.19
REF: N/A
CW17

REVISIONS	BY
5/19/21	CW
6/8/21	CW
6/15/21	CW
8/6/21	CW
8/26/21	CW
9/16/21	CW

VCU MONROE PARK CAMPUS STEM FACILITY

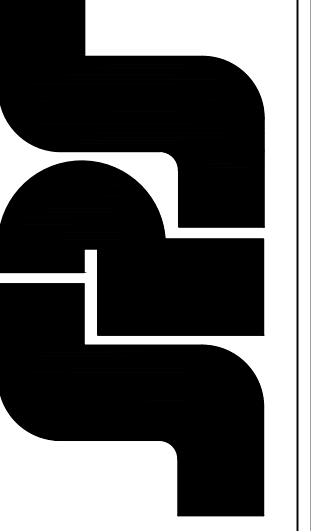
RICHMOND, VIRGINIA

ARCHITECT: BALLINGER

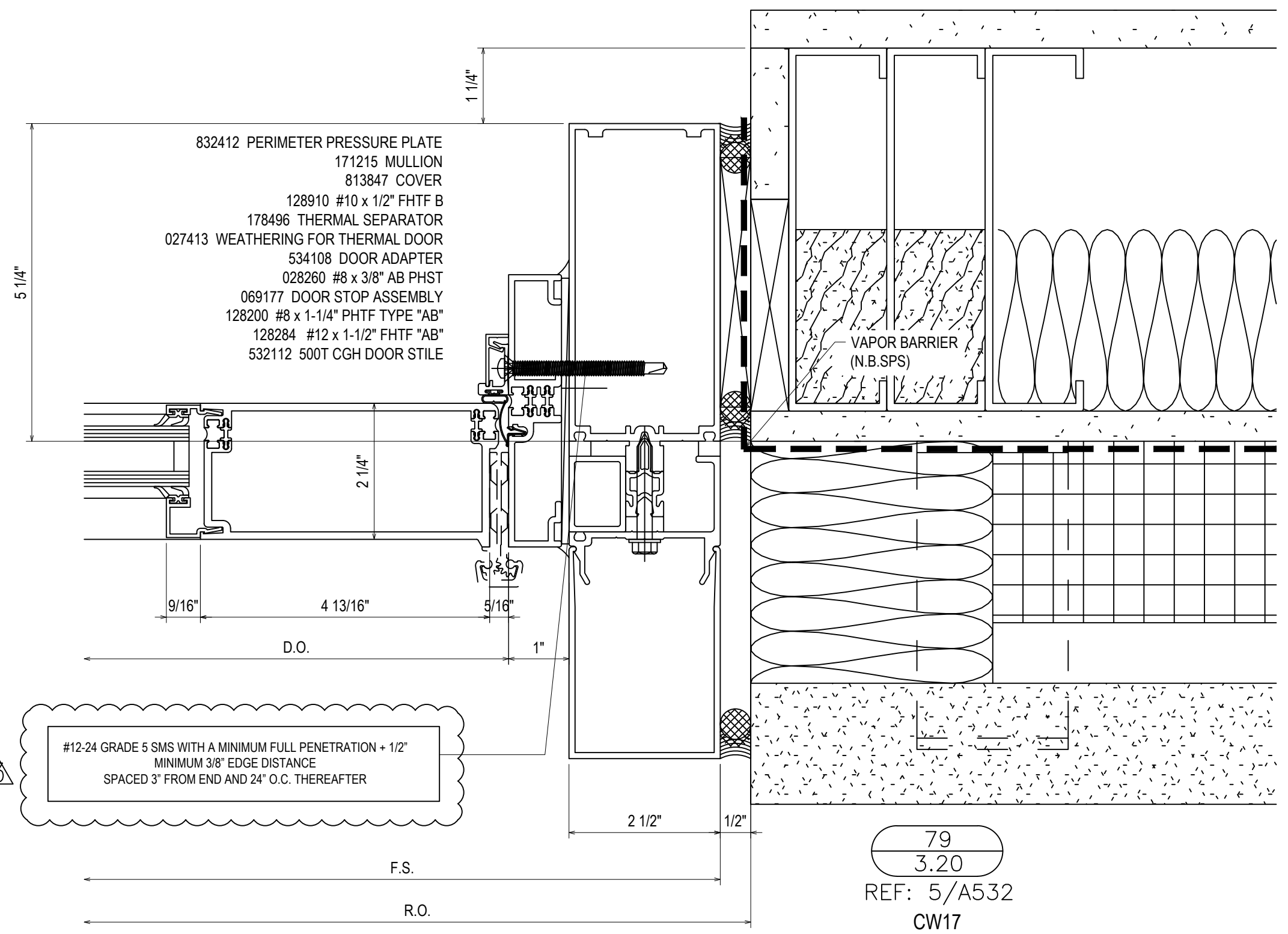
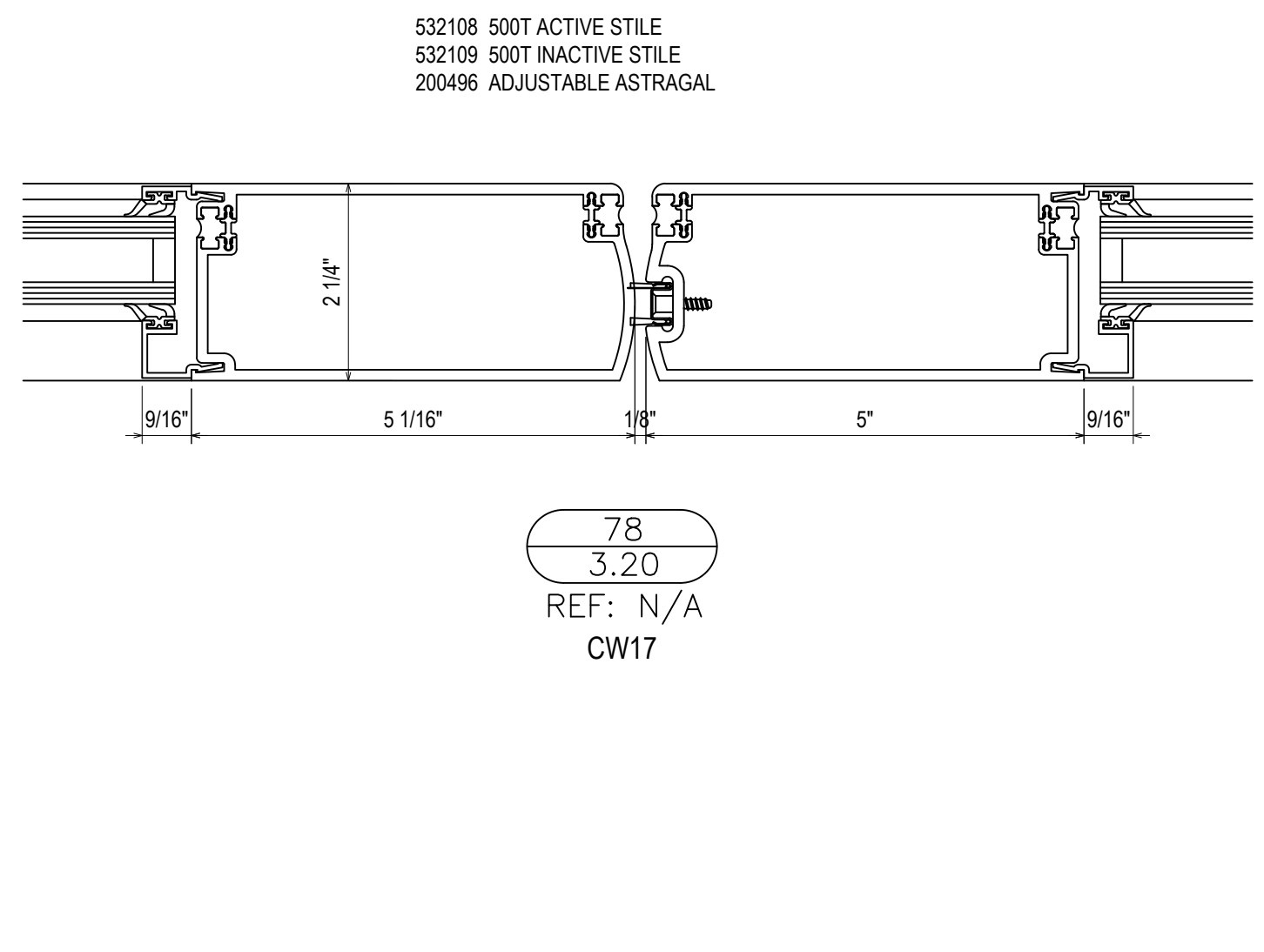
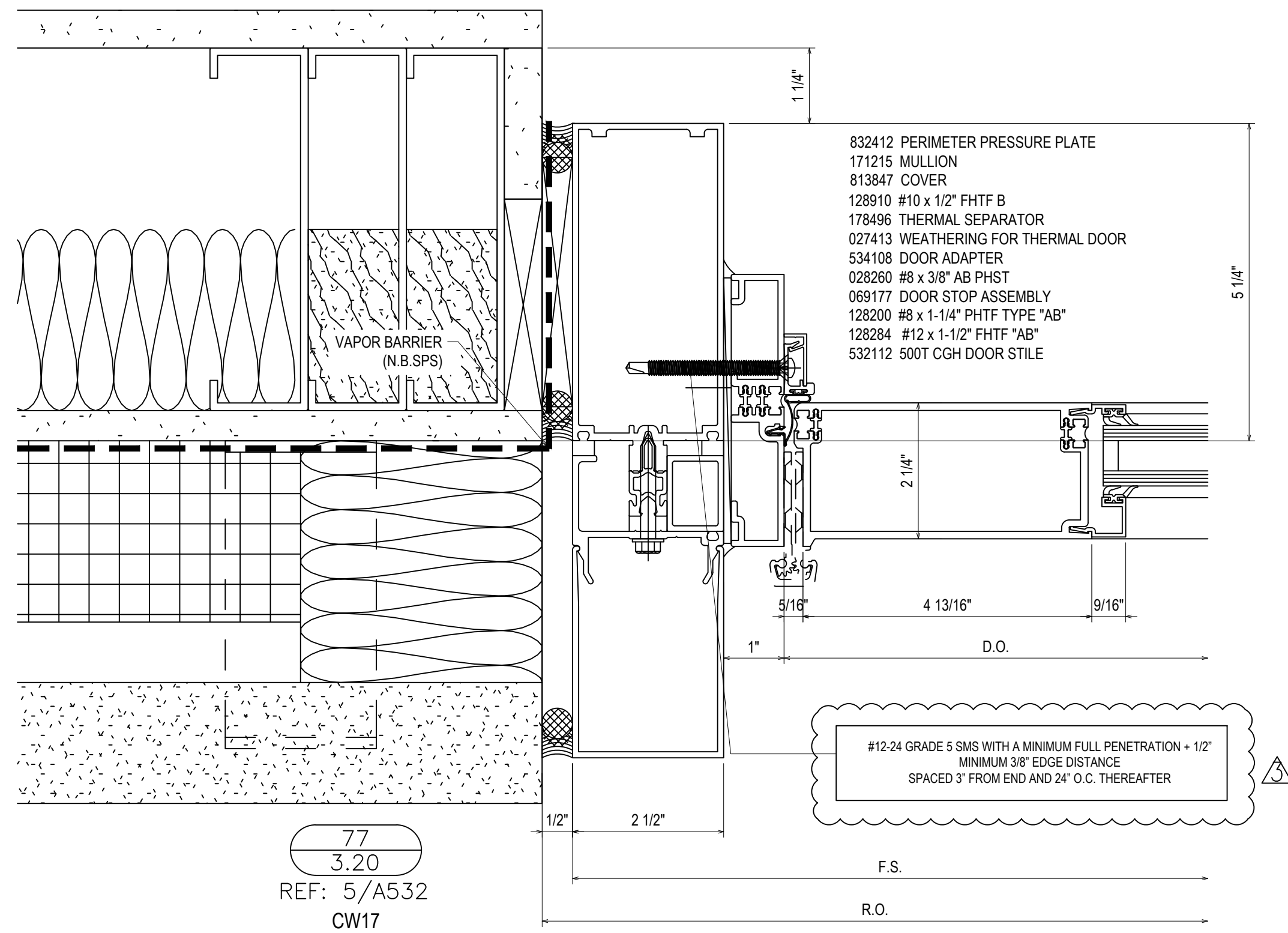
CUSTOMER: SPS CORPORATION

SPS Corporation

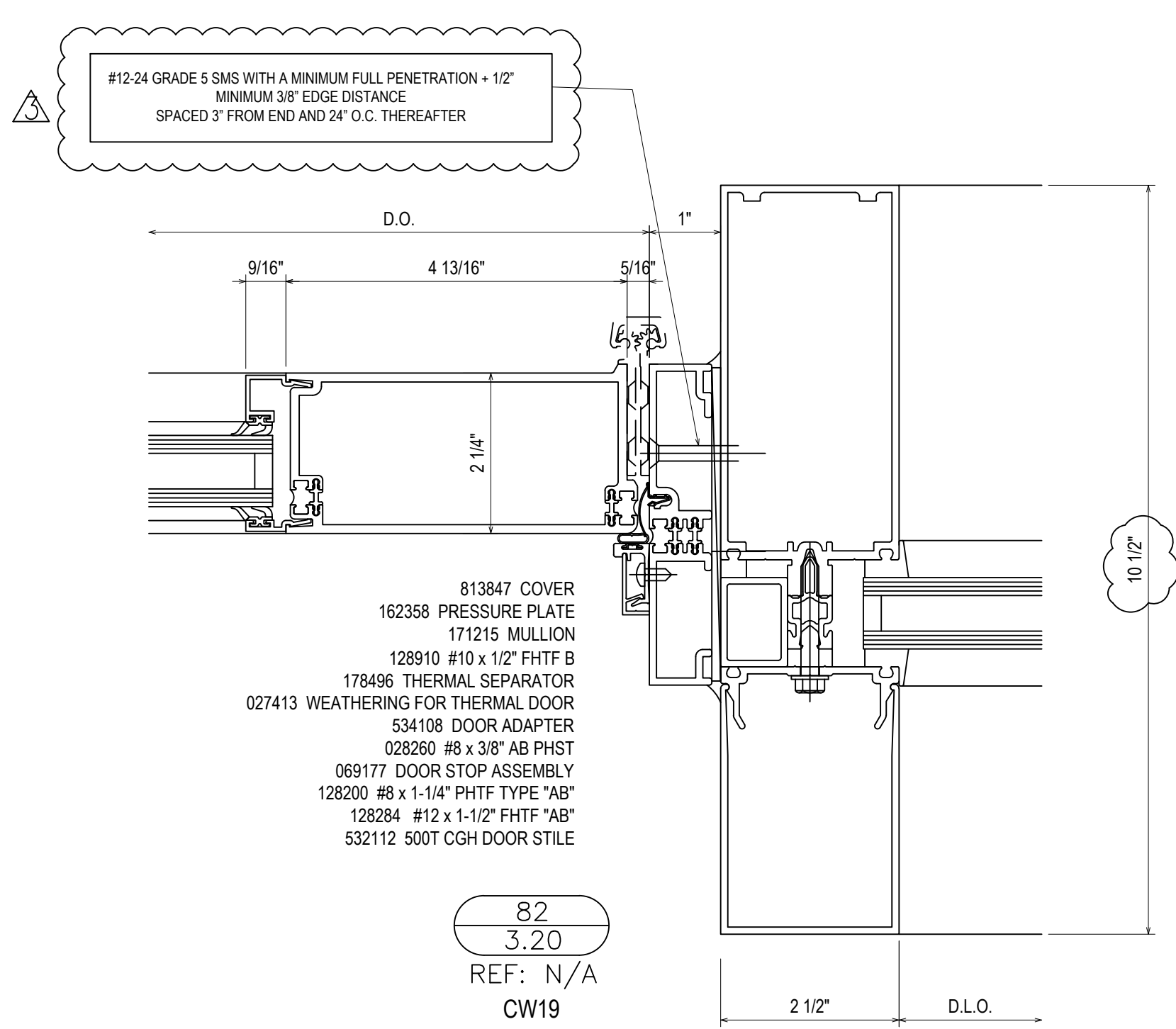
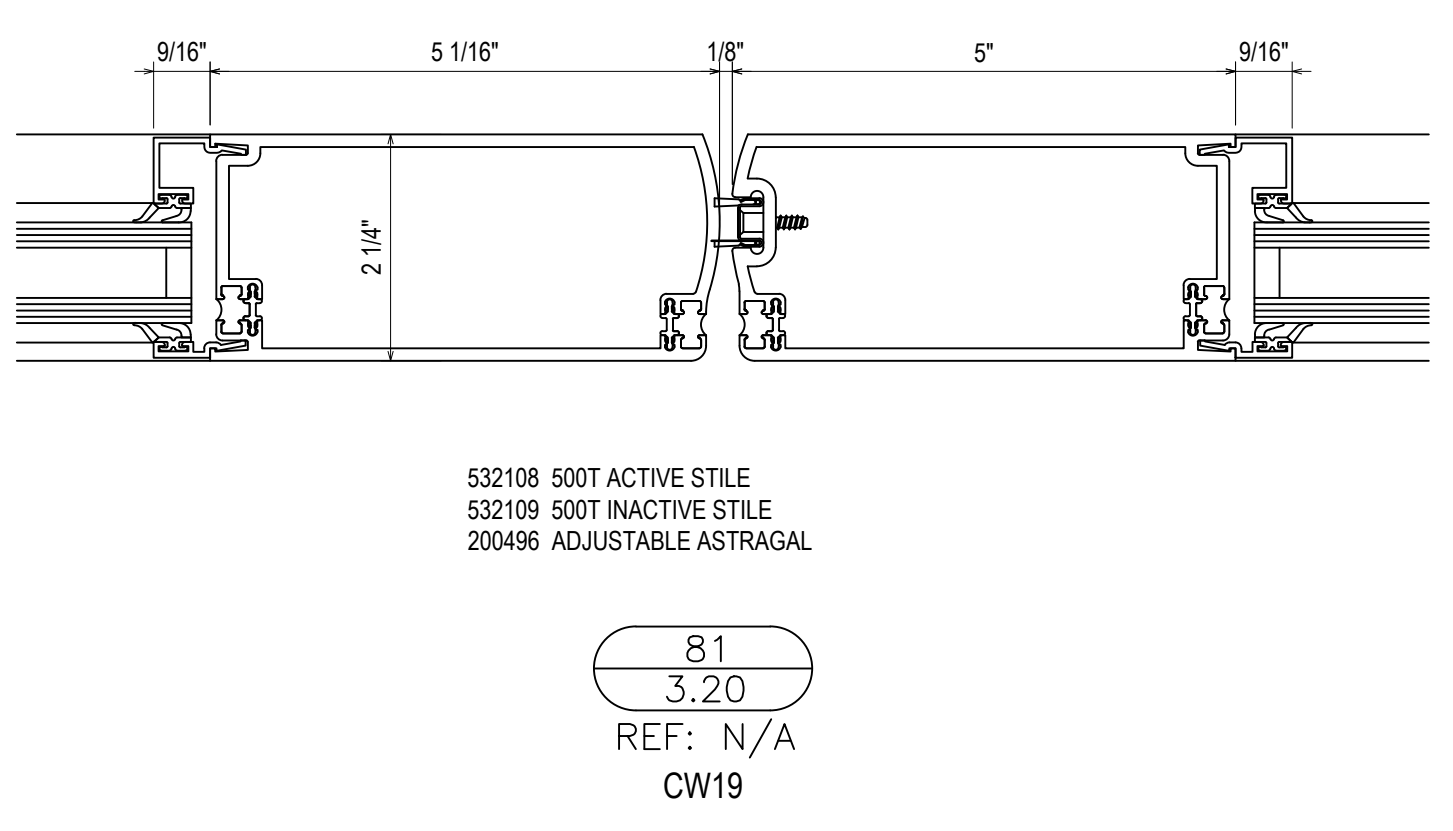
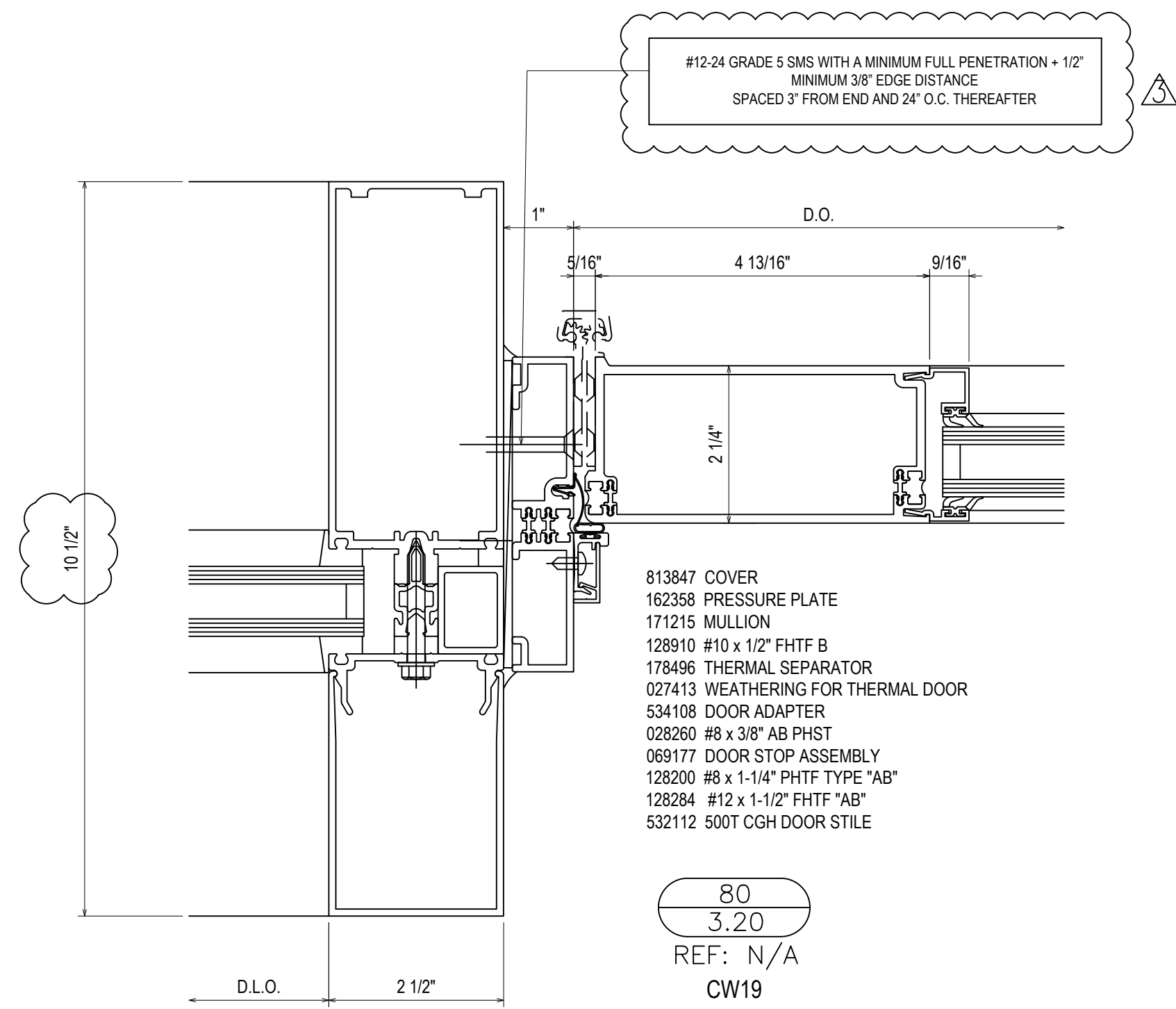
Fort Wayne, Indiana Raleigh, North Carolina
Indianapolis, Indiana Charlotte, North Carolina



Drawn By	DJ
Date Drawn	2/4/21
Checked By	LW
Date Checked	2/4/21
Scale	6" = 1'-0"
File No.	xxxx-xx
Job Name	VCU STERN
SHEET	



GENERAL INSTALLATION NOTE (TYPICAL ALL DETAILS):
SEAL HEADS OF ALL FASTENERS WITHIN THE GLAZING POCKET

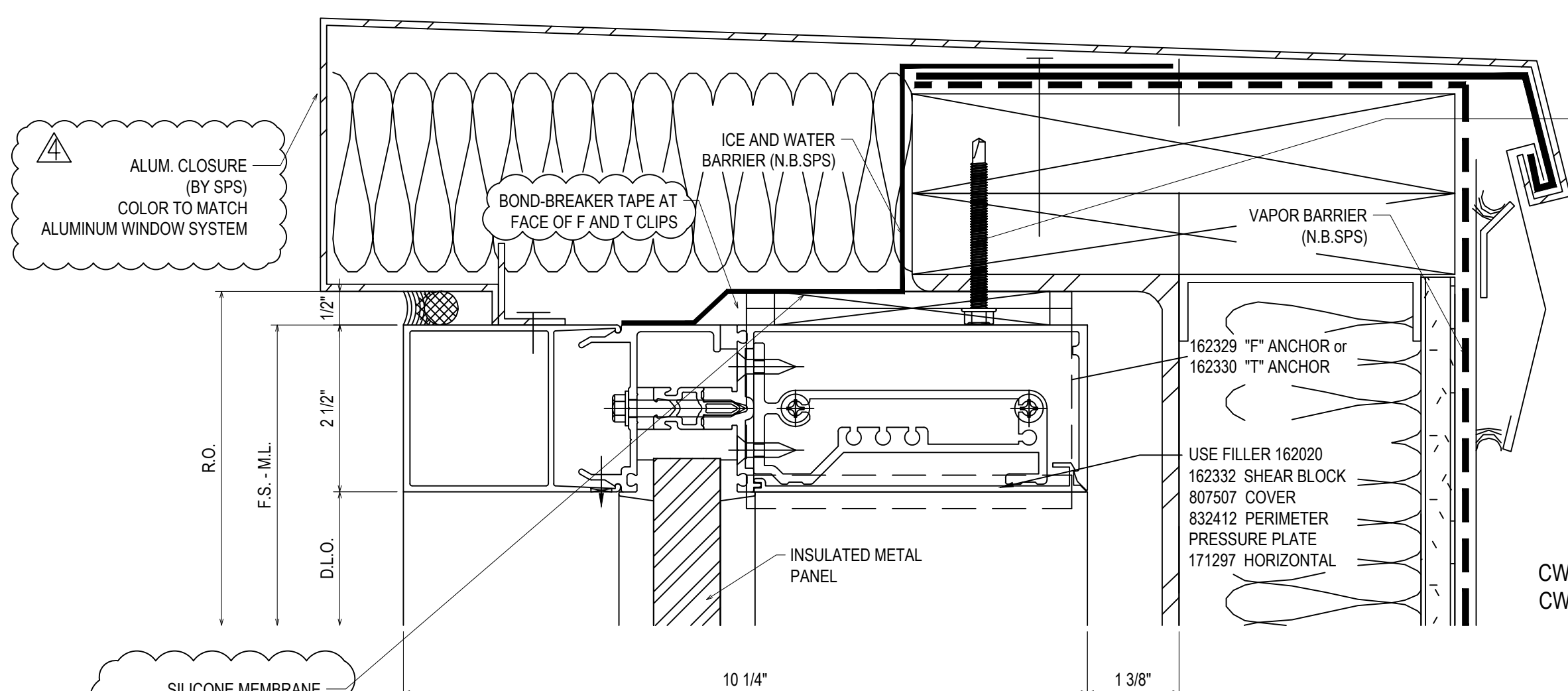


REVISIONS	BY
△	5/19/21 CW
△	6/8/21 CW
△	6/15/21 CW
△	8/6/21 CW
△	8/26/21 CW
△	9/16/21 CW

VCU MONROE PARK CAMPUS STEM FACILITY
RICHMOND, VIRGINIA
ARCHITECT: BALLINGER
CUSTOMER: SPS CORPORATION

SPS Corporation
Fort Wayne, Indiana Raleigh, North Carolina
Indianapolis, Indiana Charlotte, North Carolina

Drawn By
DJ
Date Drawn
2/4/21
Checked By
LW
Date Checked
2/4/21
Scale
6" = 1'-0"
File No.
xxxx-xx
Job Name
VCU STERN
SHEET

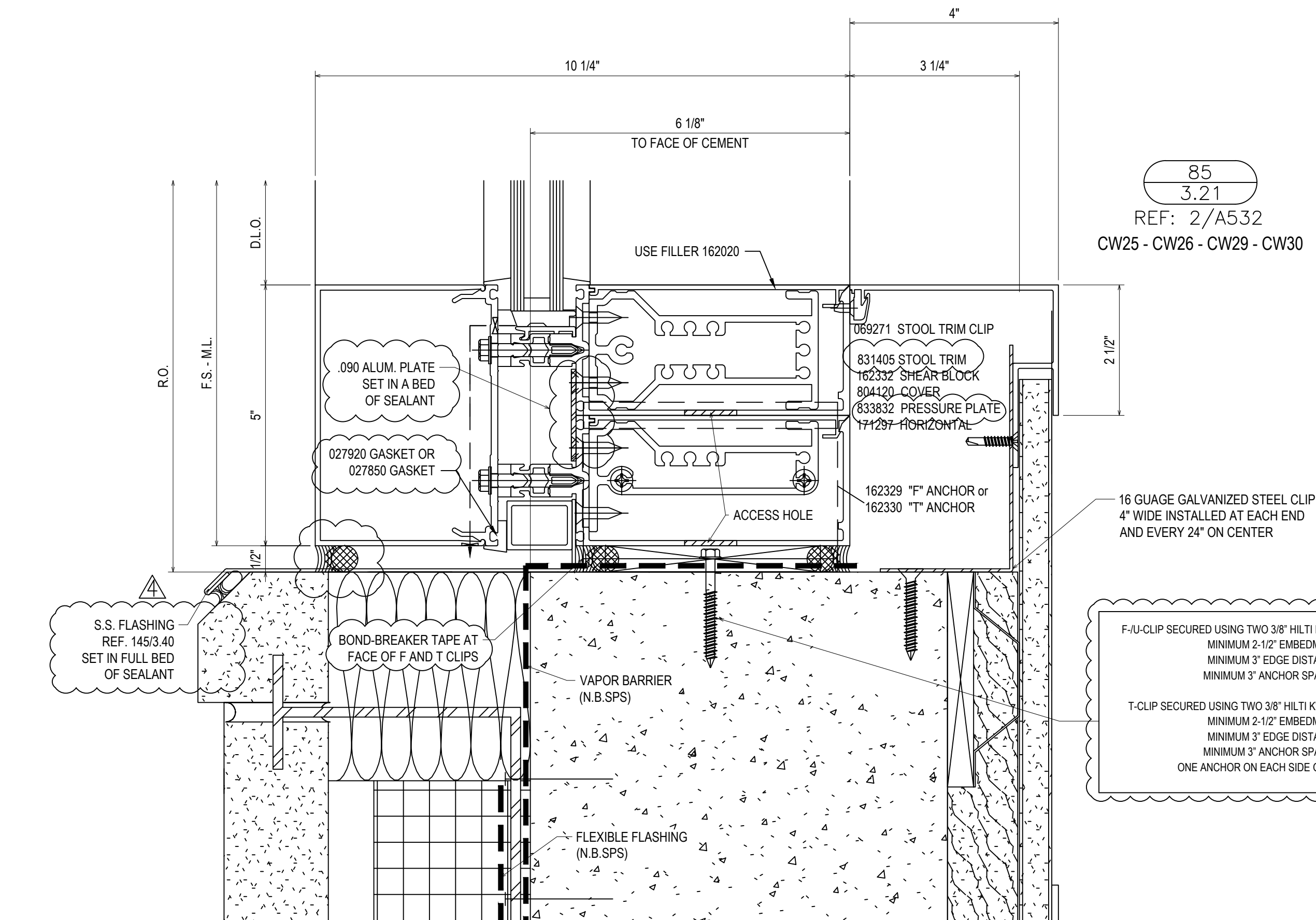
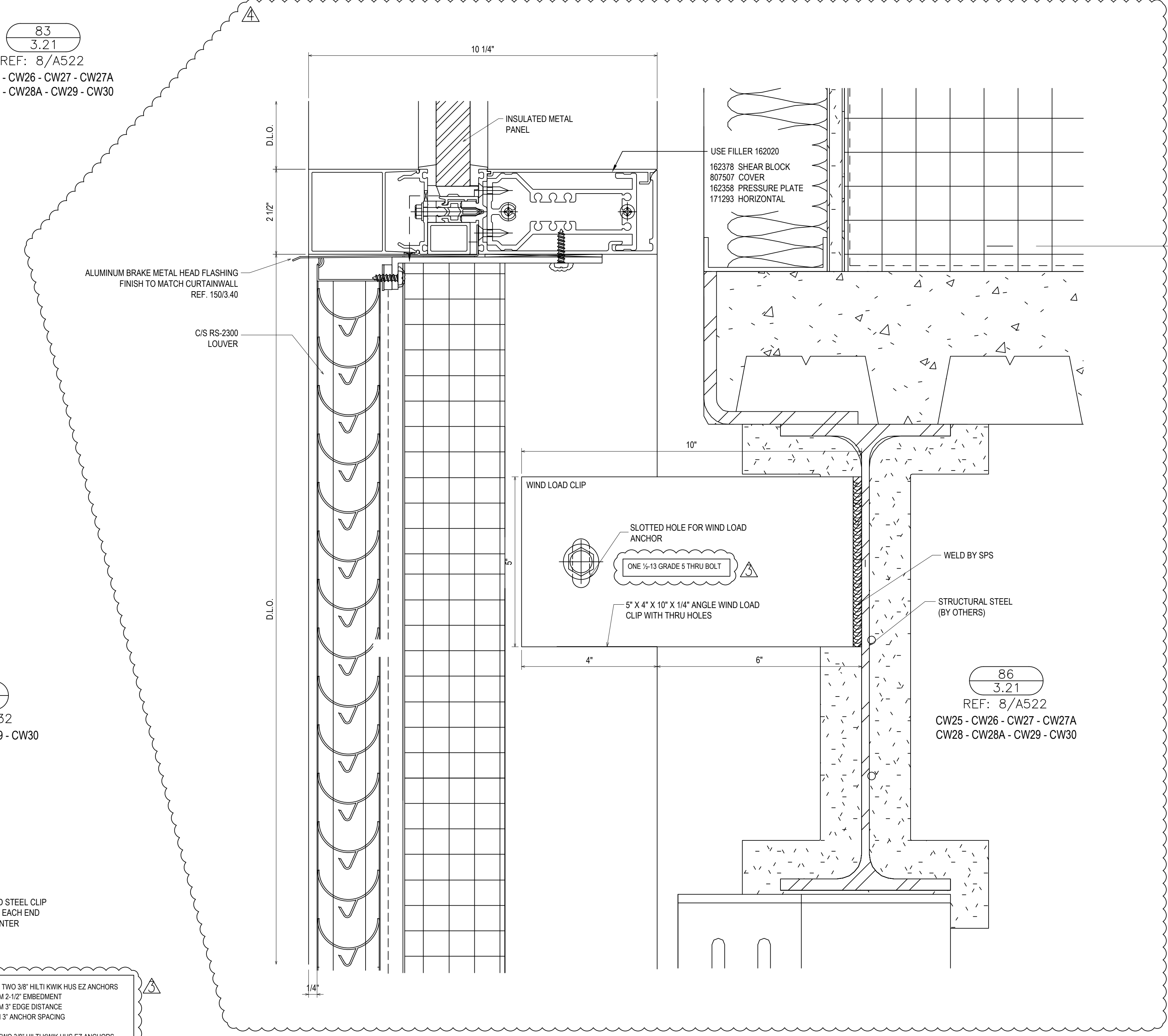
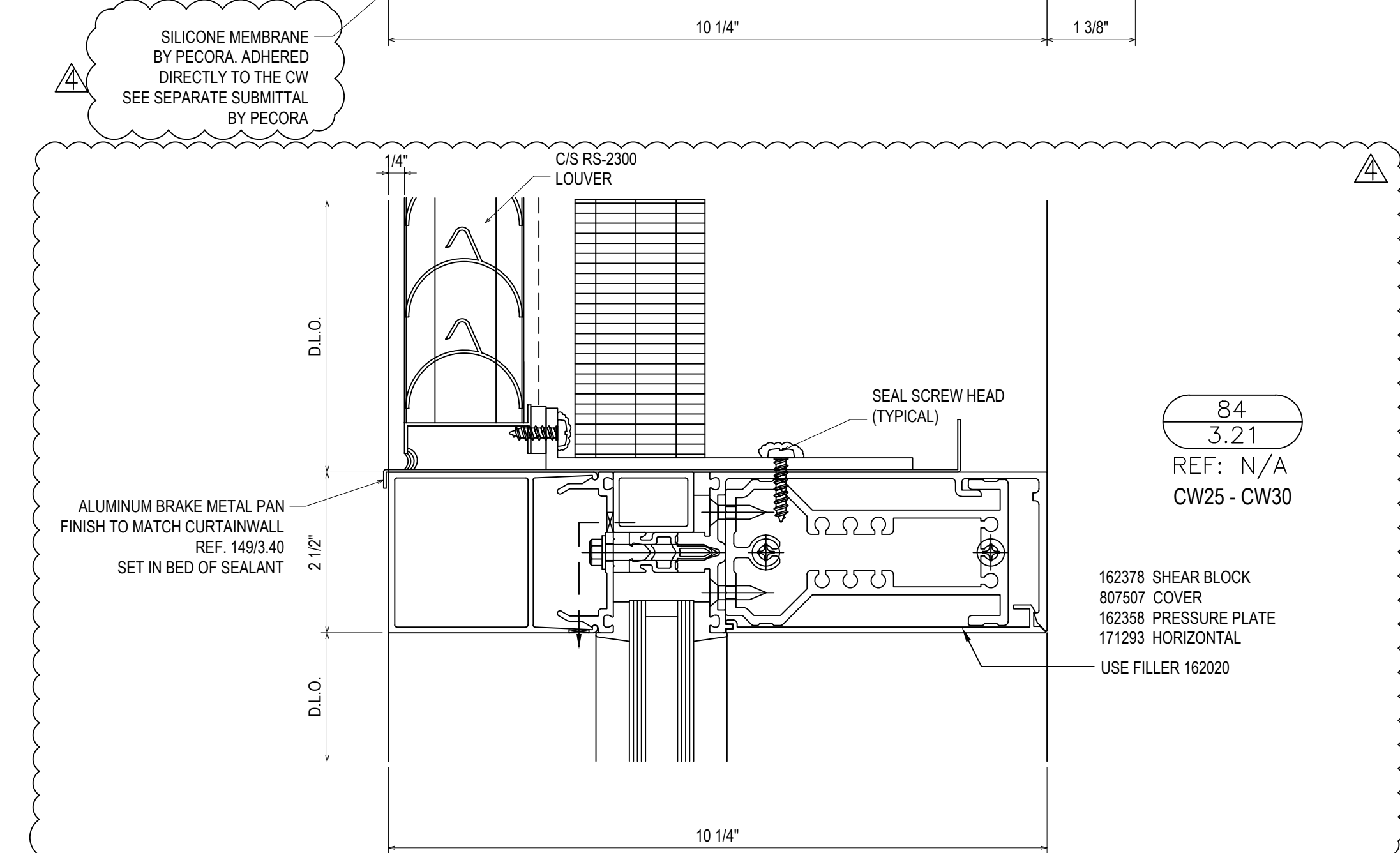


F-CLIP SECURED USING TWO 1/4-20 GRADE 5 SMS
MINIMUM FULL PENETRATION + 1/2"
MINIMUM 3/4" EDGE DISTANCE
MINIMUM 1" ANCHOR SPACING

T-CLIP SECURED USING FOUR 1/4-20 GRADE 5 SMS
MINIMUM FULL PENETRATION + 1/2"
MINIMUM 3/4" EDGE DISTANCE
MINIMUM 1" ANCHOR SPACING
TWO ANCHOR ON EACH SIDE OF MULLION

GENERAL INSTALLATION NOTE (TYPICAL ALL DETAILS):
SEAL HEADS OF ALL FASTENERS WITHIN THE GLAZING POCKET

KAWNEER DOES NOT HAVE STOCK 1600UT PARTS TO CREATE A 10" DEEP SYSTEM



F-U-CLIP SECURED USING TWO 3/8" HILTI KWIK HUS EZ ANCHORS
MINIMUM 2-1/2" EMBEDMENT
MINIMUM 3" EDGE DISTANCE
MINIMUM 3" ANCHOR SPACING

T-CLIP SECURED USING TWO 3/8" HILTI KWIK HUS EZ ANCHORS
MINIMUM 2-1/2" EMBEDMENT
MINIMUM 3" EDGE DISTANCE
MINIMUM 3" ANCHOR SPACING
ONE ANCHOR ON EACH SIDE OF MULLION

REVISIONS	BY
5/19/21	CW
6/8/21	CW
6/15/21	CW
8/6/21	CW
8/26/21	CW
9/16/21	CW

VCU MONROE PARK CAMPUS STEM FACILITY

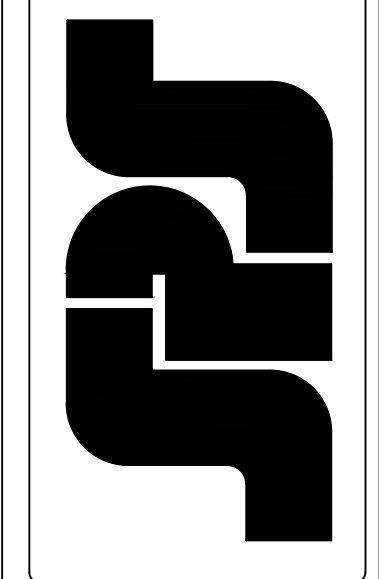
RICHMOND, VIRGINIA

ARCHITECT: BALLINGER

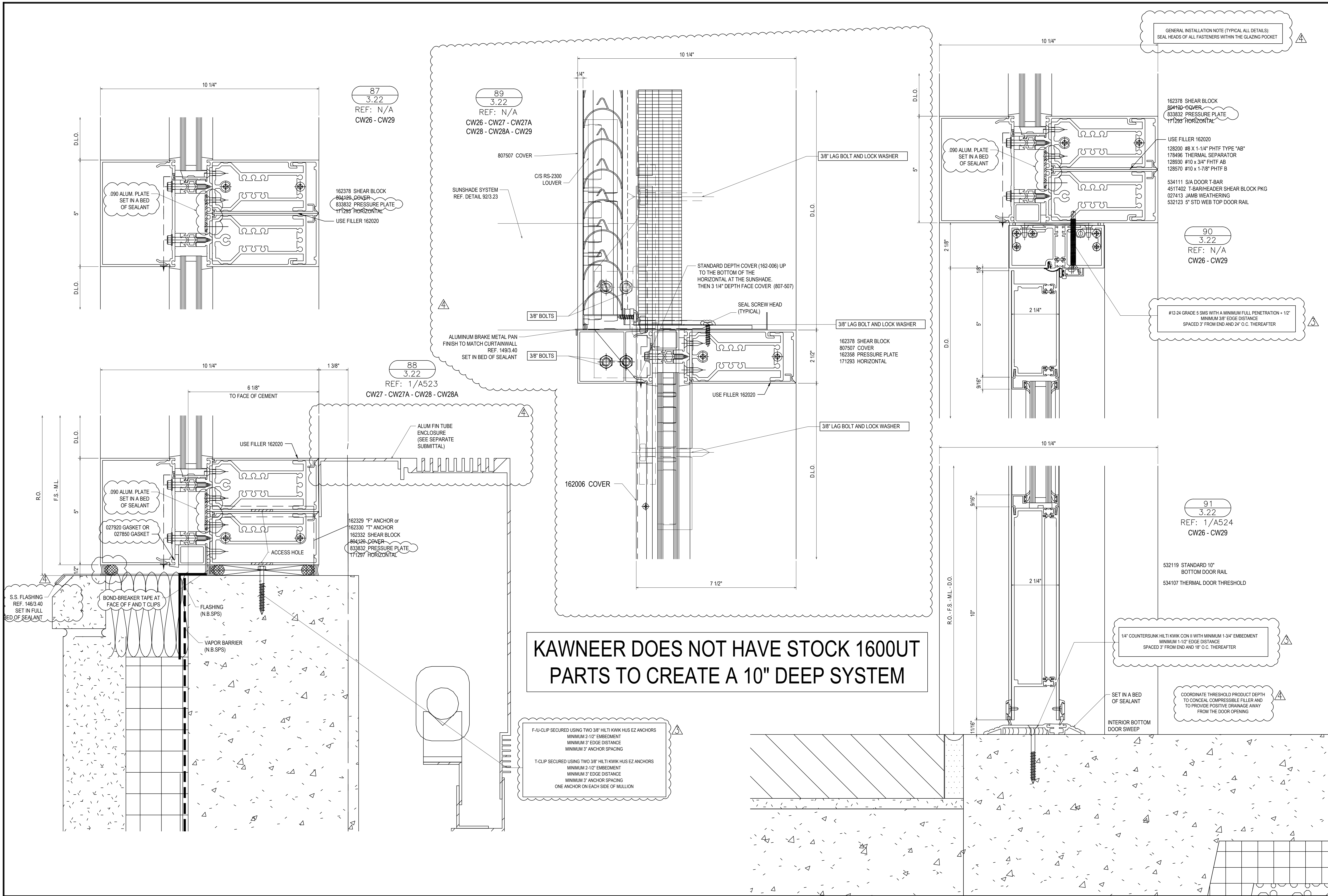
CUSTOMER: SPS CORPORATION

SPS Corporation

Fort Wayne, Indiana Raleigh, North Carolina
Indianapolis, Indiana Charlotte, North Carolina



Drawn By DJ
Date Drawn 2/4/21
Checked By LW
Date Checked 2/4/21
Scale 6" = 1'-0"
File No. xxxx-xx
Job Name VCU STERN
SHEET



REVISIONS	BY
△ 5/19/21	CW
△ 6/8/21	CW
△ 6/15/21	CW
△ 8/6/21	CW
△ 8/26/21	CW
△ 9/16/21	CW

VCU MONROE PARK CAMPUS STEM FACILITY

RICHMOND, VIRGINIA

ARCHITECT: BALLINGER
CUSTOMER: SPS CORPORATION

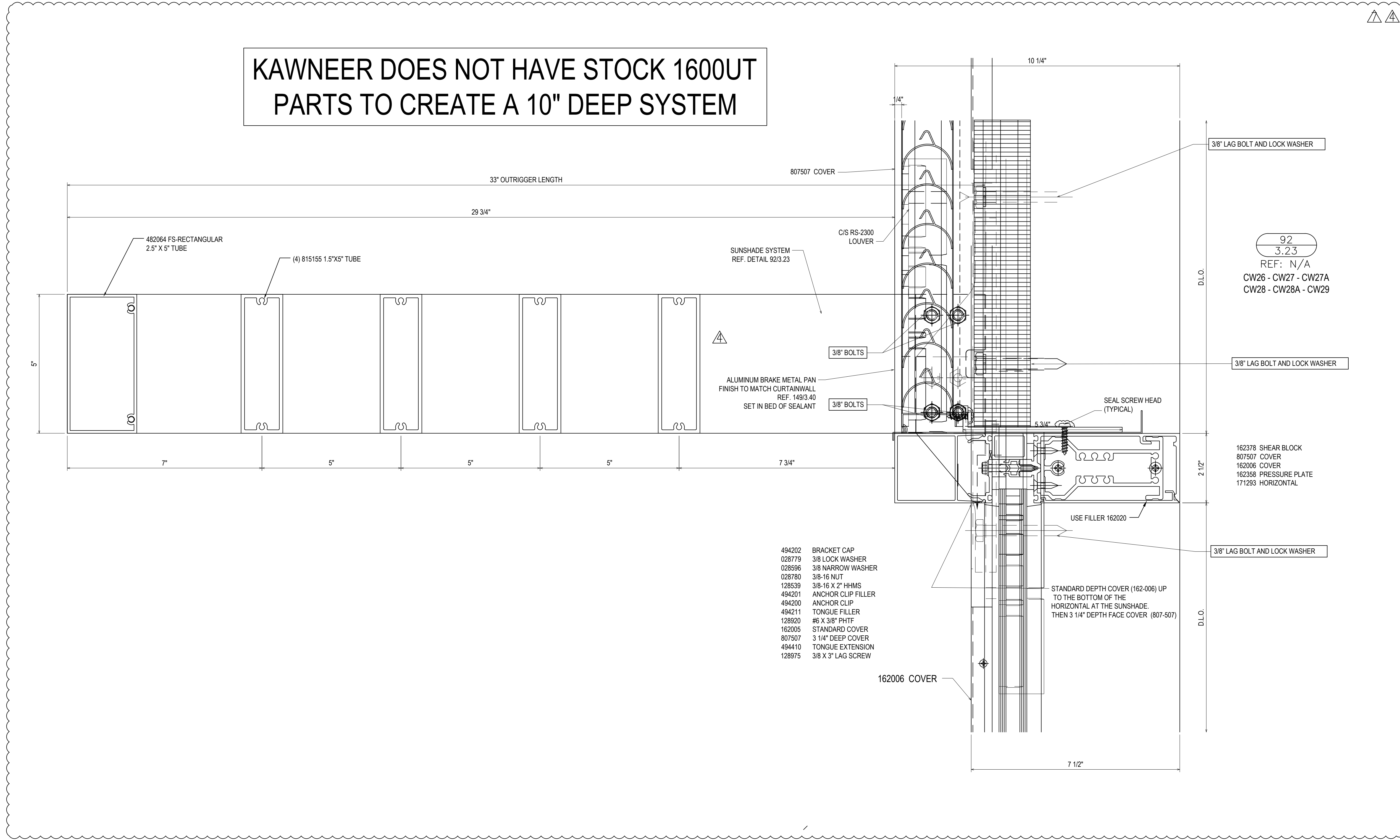
SPS Corporation

Fort Wayne, Indiana Raleigh, North Carolina
Indianapolis, Indiana Charlotte, North Carolina

Drawn By	DJ
Date Drawn	2/4/21
Checked By	LW
Date Checked	2/4/21
Scale	6" = 1'-0"
File No.	xxxx-xx
Job Name	VCU STERN
SHEET	

GENERAL INSTALLATION NOTE (TYPICAL ALL DETAILS):
SEAL HEADS OF ALL FASTENERS WITHIN THE GLAZING POCKET

KAWNEER DOES NOT HAVE STOCK 1600UT PARTS TO CREATE A 10" DEEP SYSTEM



- 494202 BRACKET CAP
- 028779 3/8 LOCK WASHER
- 028596 3/8 NARROW WASHER
- 028780 3/8-16 NUT
- 128539 3/8-16 X 2" HHMS
- 494201 ANCHOR CLIP FILLER
- 494200 ANCHOR CLIP
- 494211 TONGUE FILLER
- 128520 #6 X 3/8" PHTF
- 162005 STANDARD COVER
- 807507 3 1/4" DEEP COVER
- 494410 TONGUE EXTENSION
- 128975 3/8 X 3" LAG SCREW

92
3.23
REF: N/A
CW26 - CW27 - CW27A
CW28 - CW28A - CW29

REVISIONS	BY
△	5/19/21 CW
△	6/8/21 CW
△	6/15/21 CW
△	8/6/21 CW
△	8/26/21 CW
△	9/16/21 CW

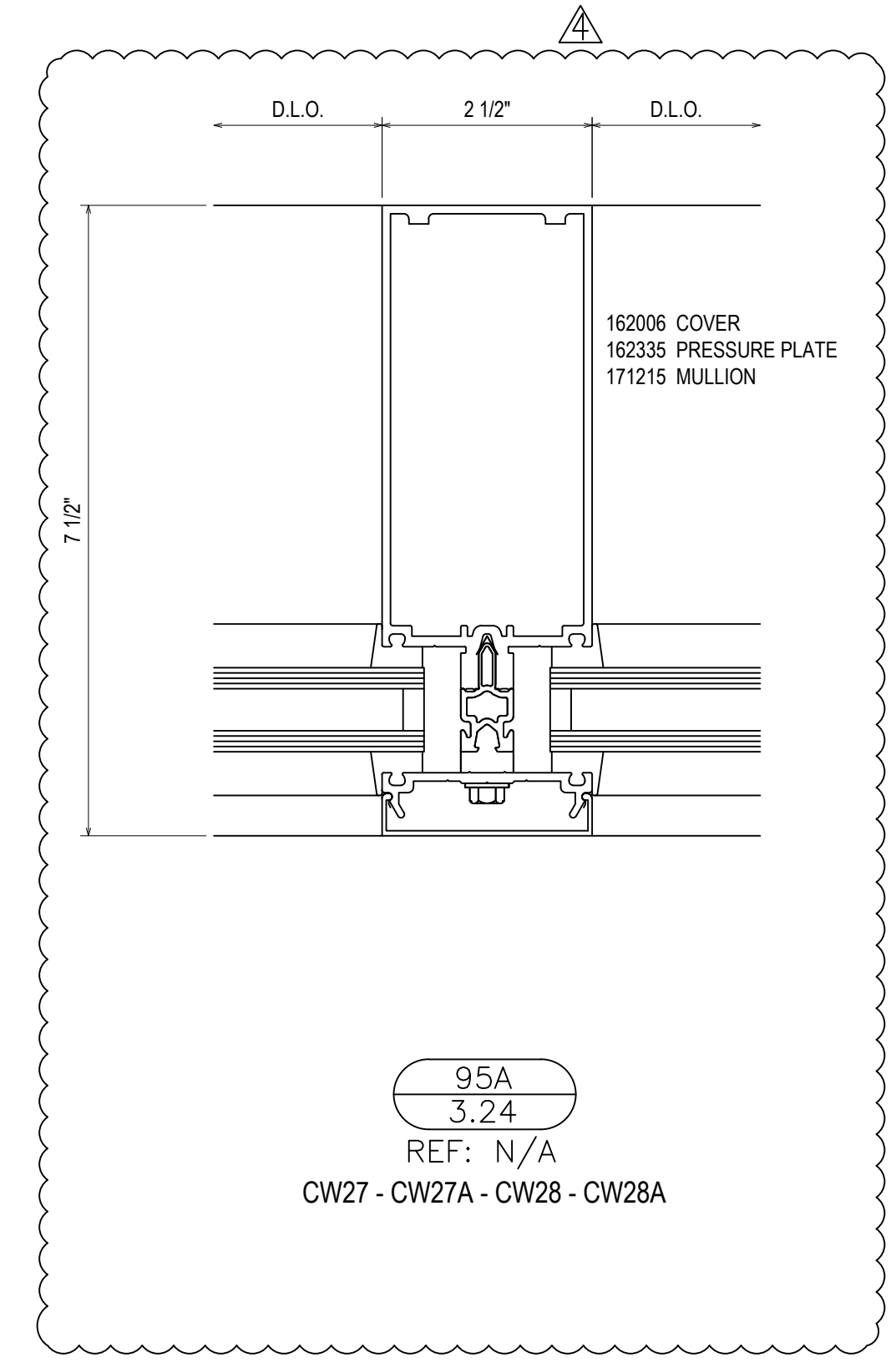
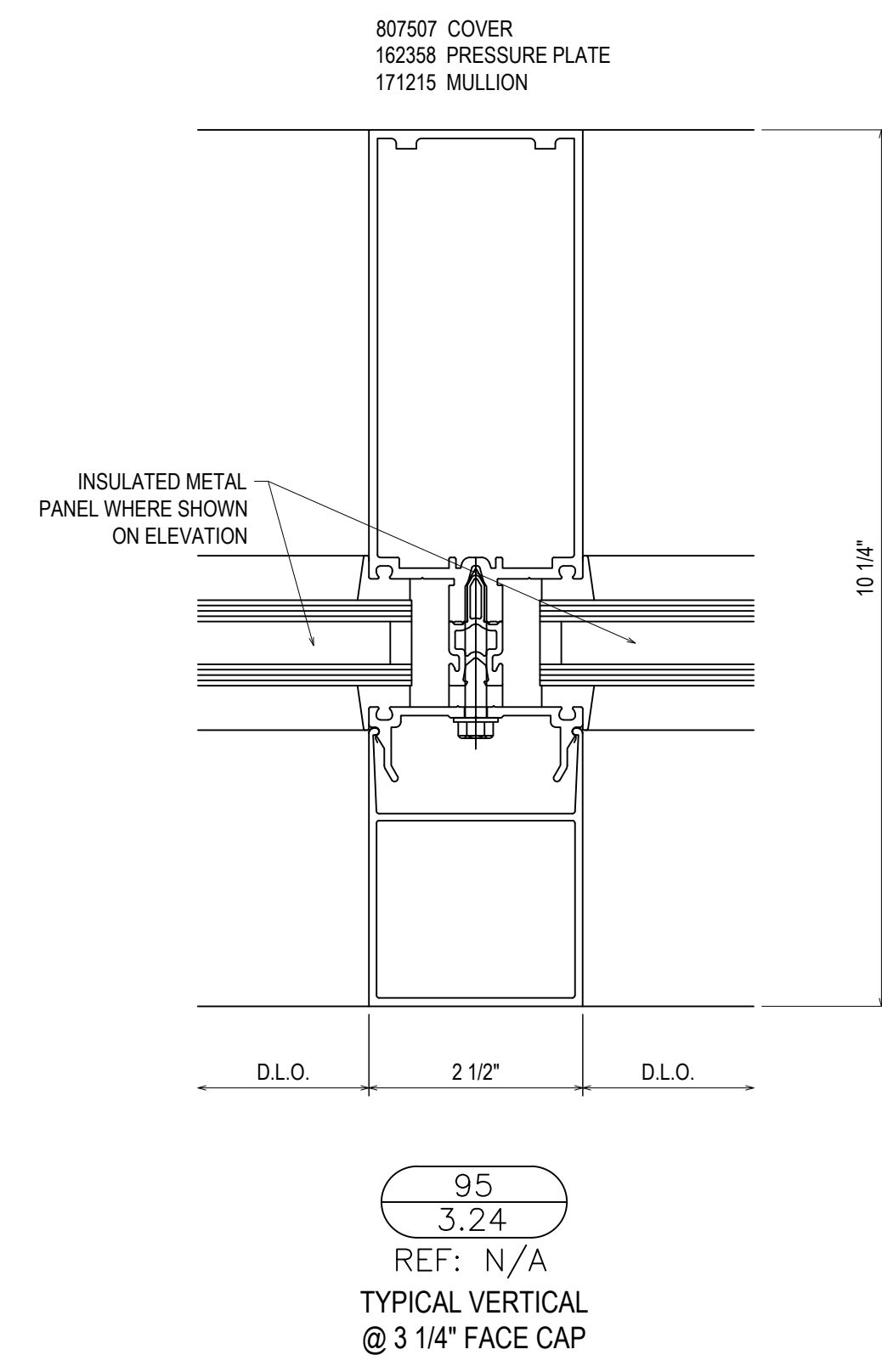
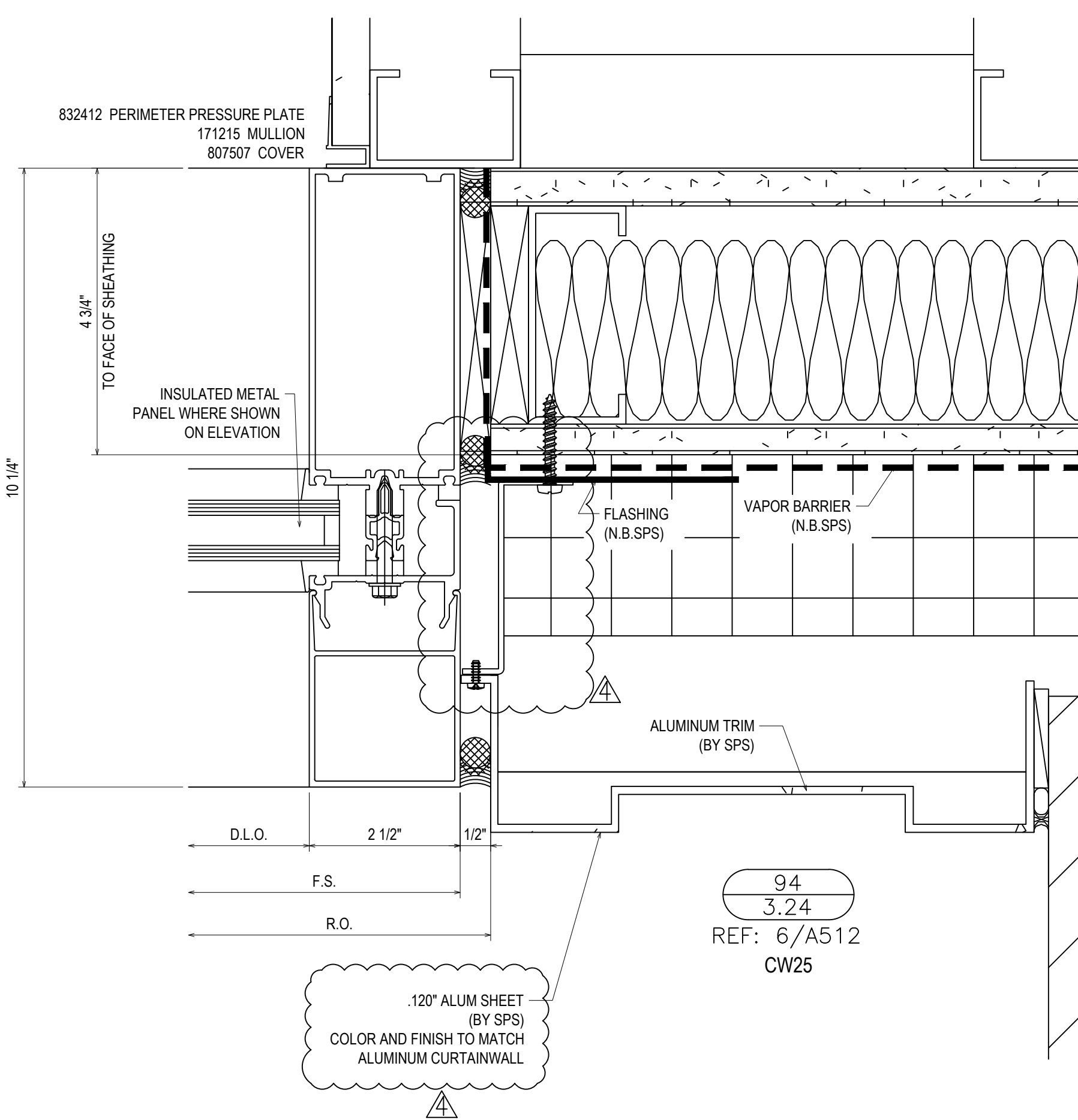
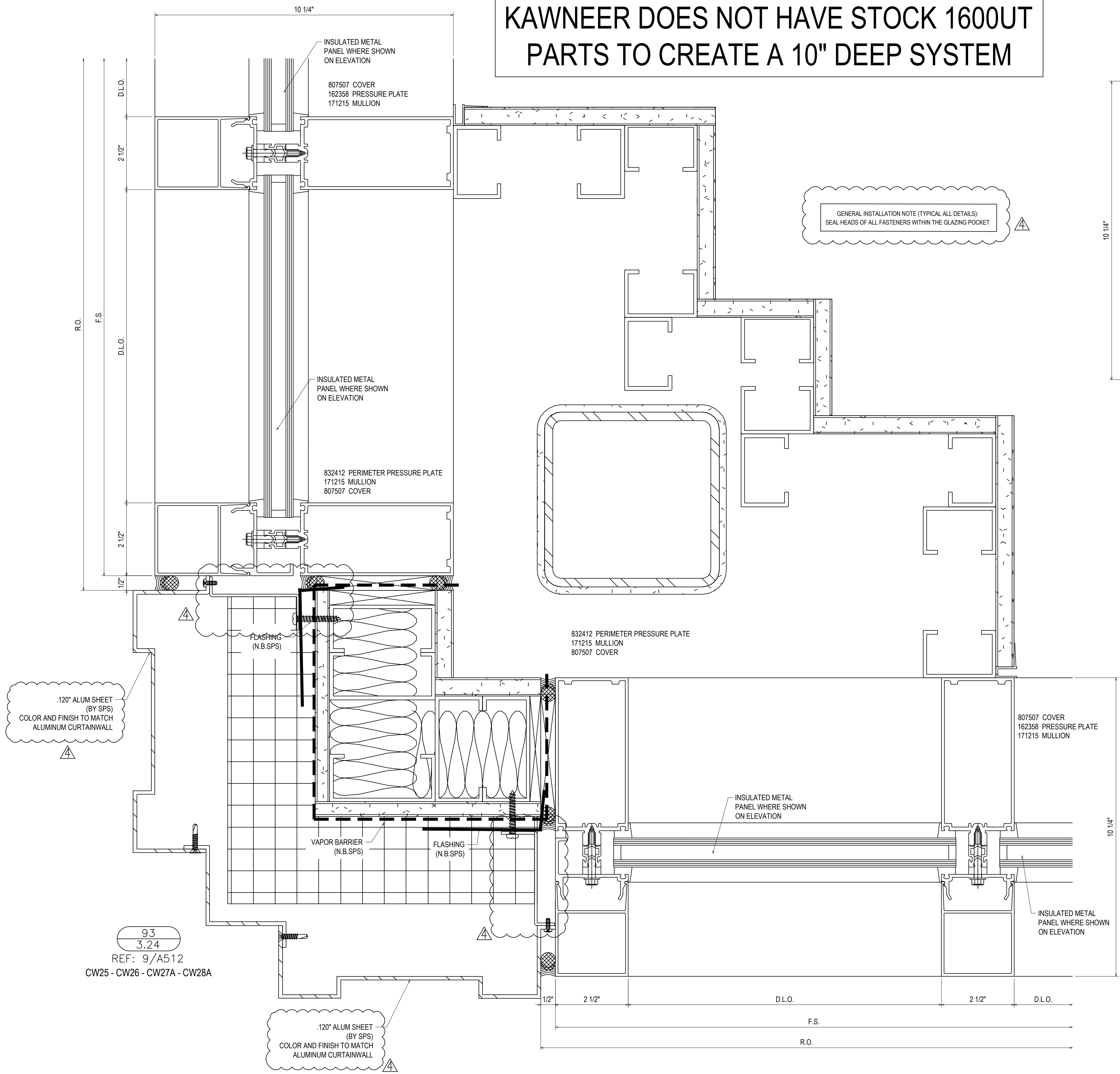
VCU MONROE PARK CAMPUS STEM FACILITY
RICHMOND, VIRGINIA
ARCHITECT: BALLINGER
CUSTOMER: SPS CORPORATION

SPS Corporation
Fort Wayne, Indiana Raleigh, North Carolina
Indianapolis, Indiana Charlotte, North Carolina

Drawn By
DJ
Date Drawn
2/4/21
Checked By
LW
Date Checked
2/4/21
Scale
6" = 1'-0"
File No.
xxxx-xx
Job Name
VCU STERN
SHEET

KAWNEER DOES NOT HAVE STOCK 1600UT PARTS TO CREATE A 10" DEEP SYSTEM

GENERAL INSTALLATION NOTE (TYPICAL ALL DETAILS):
SEAL HEADS OF ALL FASTENERS WITHIN THE GLAZING POCKET



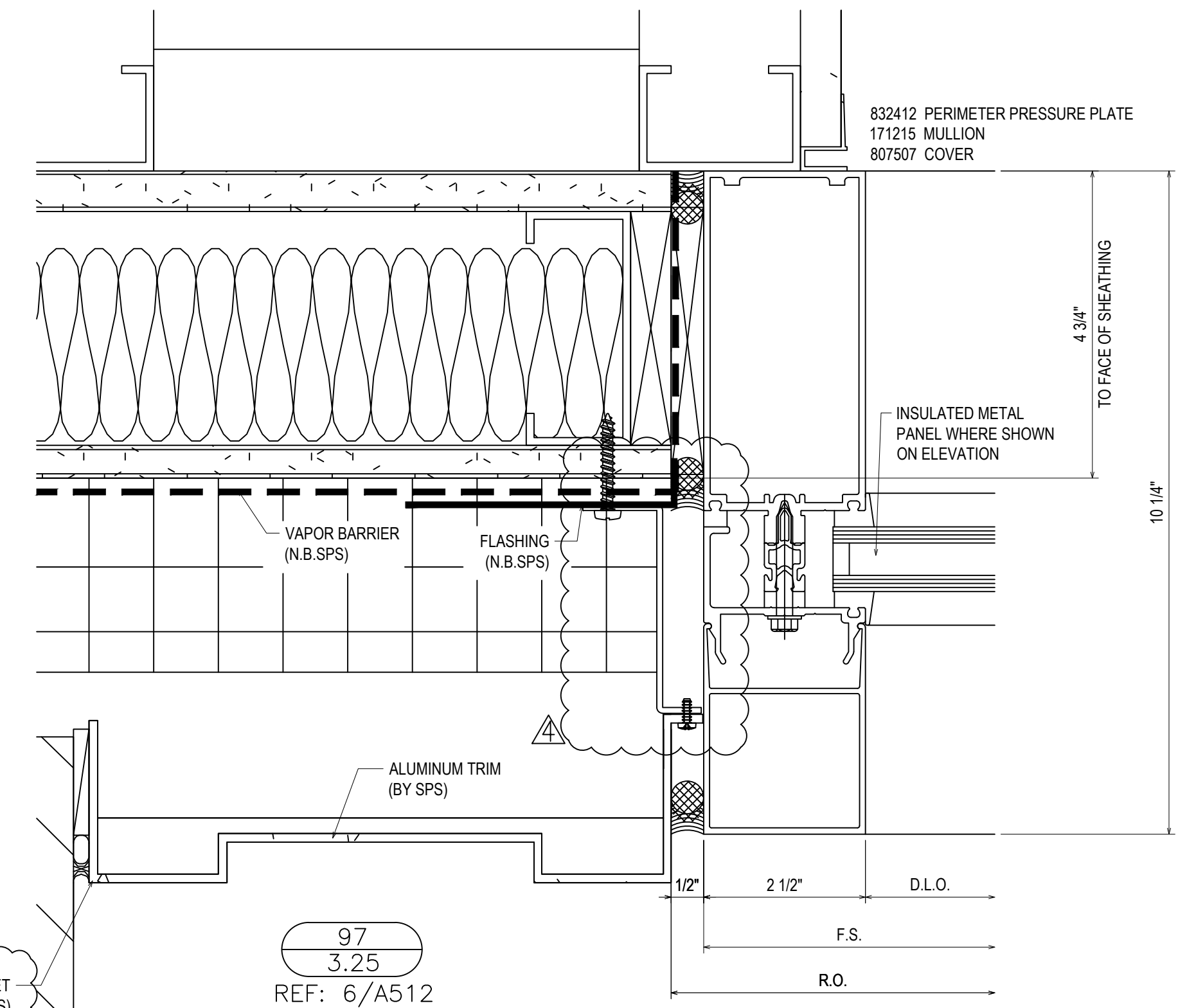
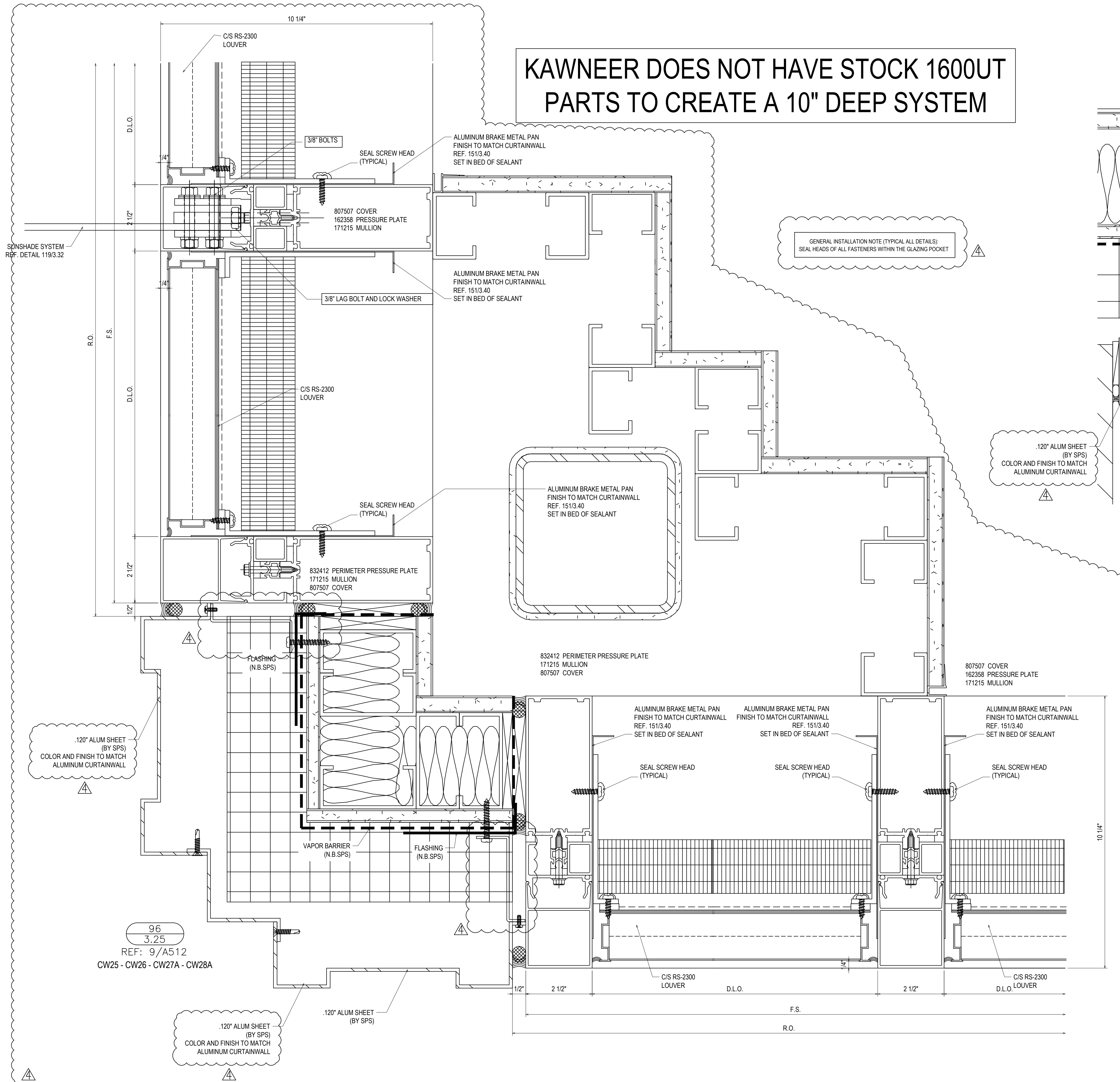
REVISIONS	BY
△ 5/19/21	CW
△ 6/8/21	CW
△ 6/15/21	CW
△ 8/6/21	CW
△ 8/26/21	CW
△ 9/16/21	CW

VCU MONROE PARK CAMPUS STEM FACILITY
RICHMOND, VIRGINIA
ARCHITECT: BALLINGER
CUSTOMER: SPS CORPORATION

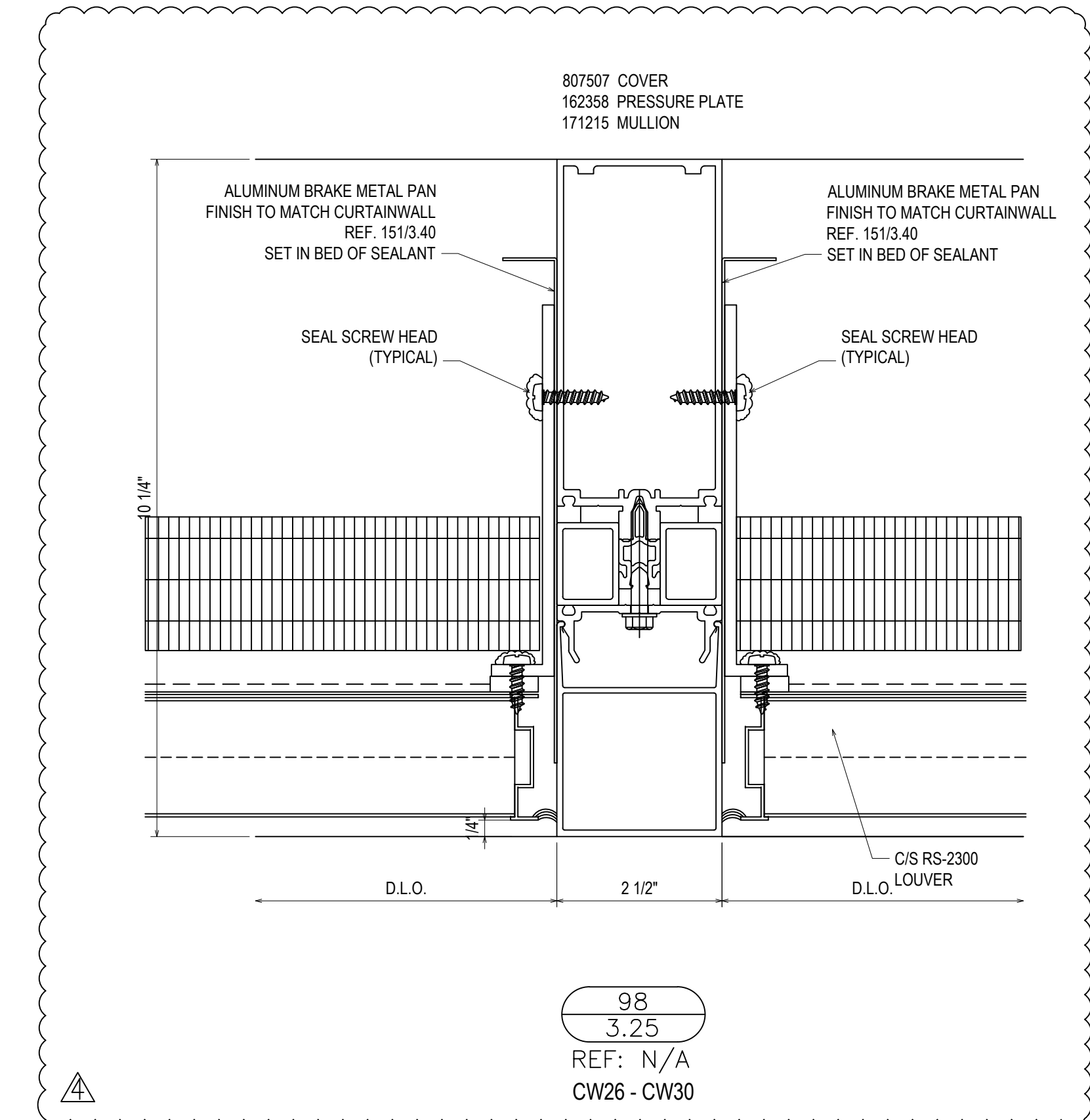
SPS Corporation
Fort Wayne, Indiana Raleigh, North Carolina
Indianapolis, Indiana Charlotte, North Carolina

Drawn By DJ
Date Drawn 2/4/21
Checked By LW
Date Checked 2/4/21
Scale 6" = 1'-0"
File No. xxxx-xx
Job Name VCU STERN
SHEET

KAWNEER DOES NOT HAVE STOCK 1600UT PARTS TO CREATE A 10" DEEP SYSTEM



97
3.25
REF: 6/A512
CW30



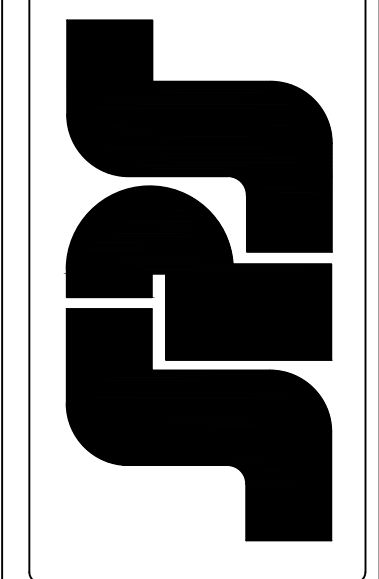
98
3.25
REF: N/A
CW26 - CW30

GENERAL INSTALLATION NOTE (TYPICAL ALL DETAILS):
SEAL HEADS OF ALL FASTENERS WITHIN THE GLAZING POCKET

REVISIONS	BY
△ 5/19/21	CW
△ 6/8/21	CW
△ 6/15/21	CW
△ 8/6/21	CW
△ 8/26/21	CW
△ 9/16/21	CW

VCU MONROE PARK CAMPUS STEM FACILITY
RICHMOND, VIRGINIA
ARCHITECT: BALLINGER
CUSTOMER: SPS CORPORATION

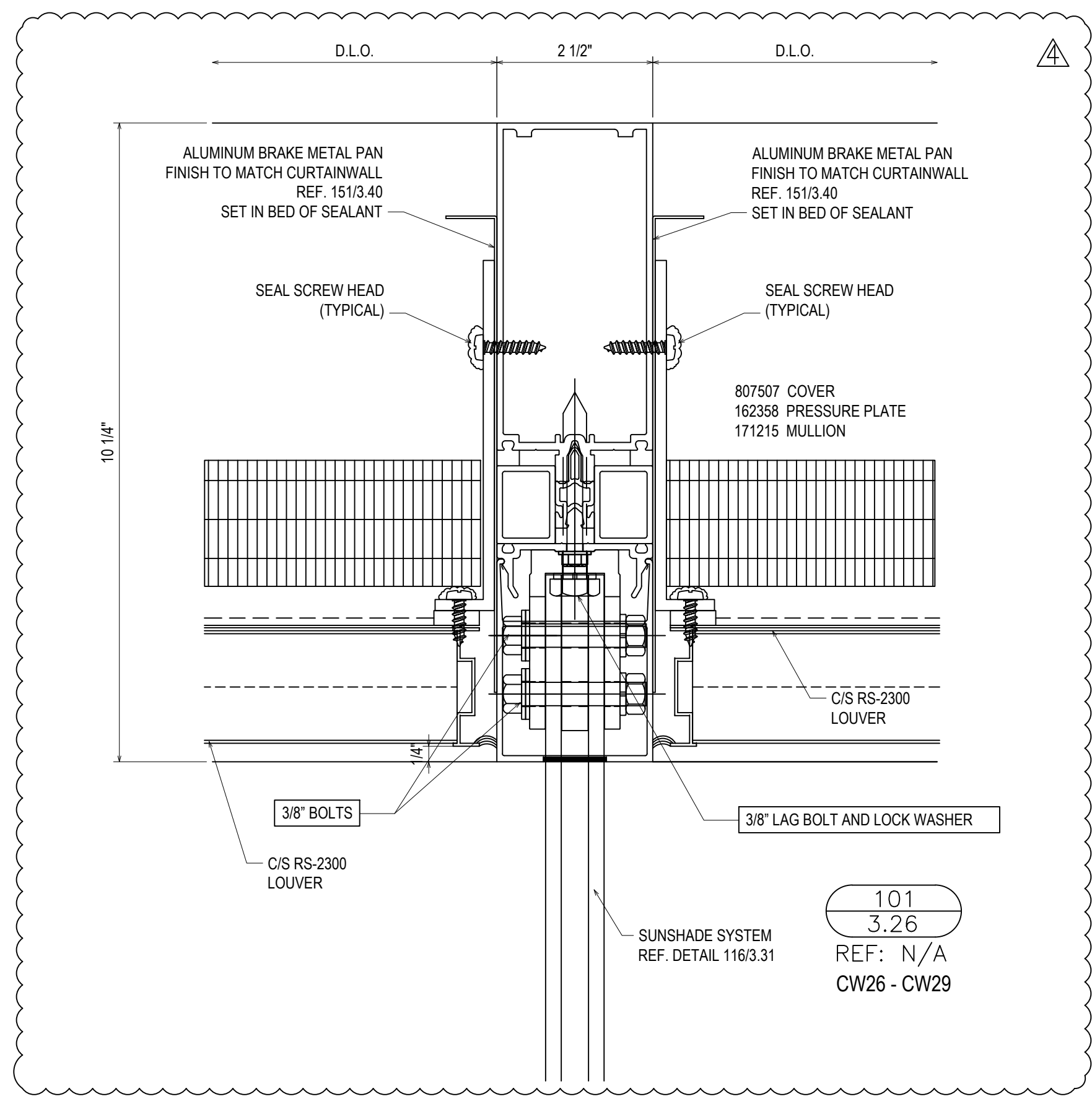
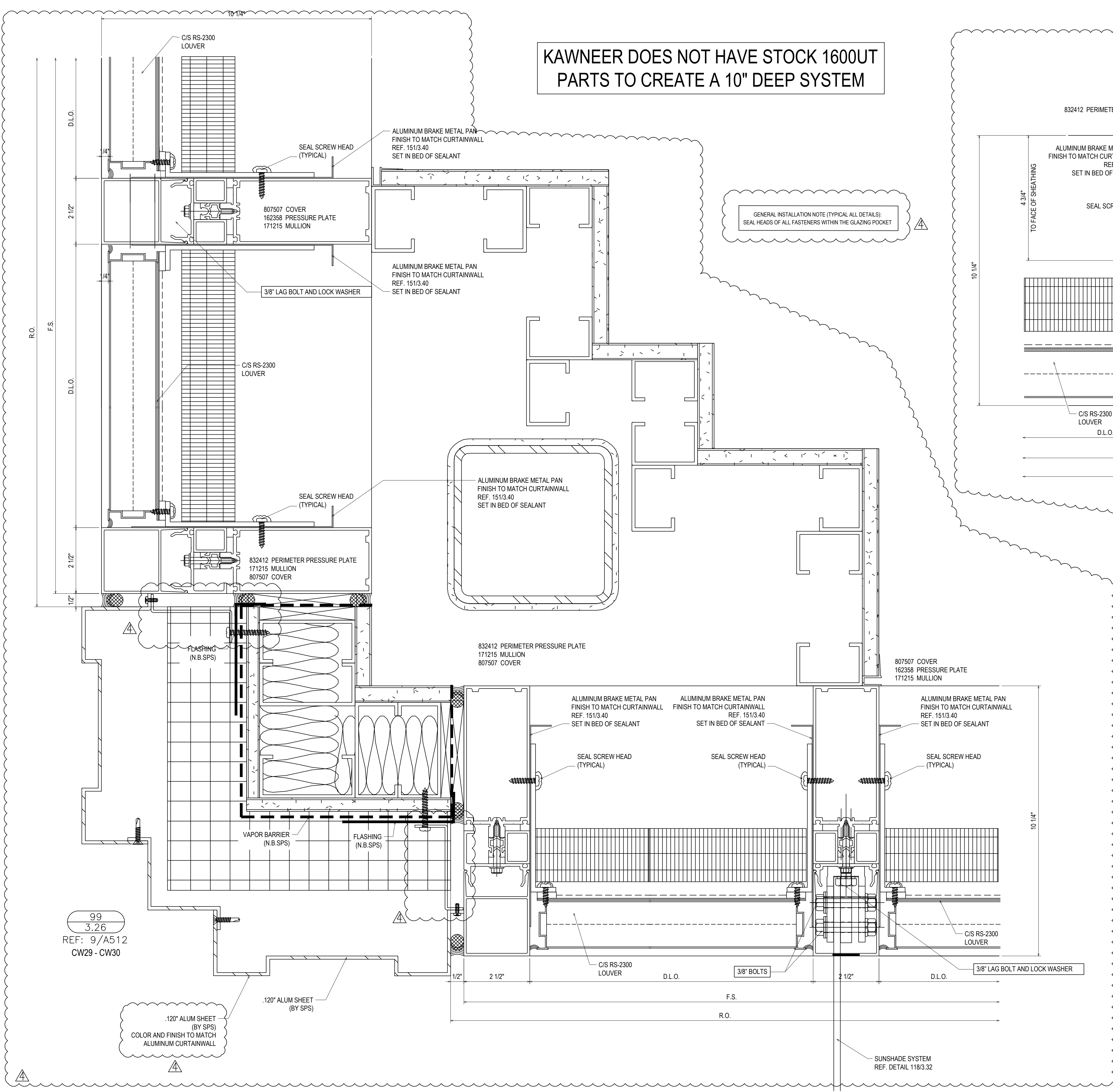
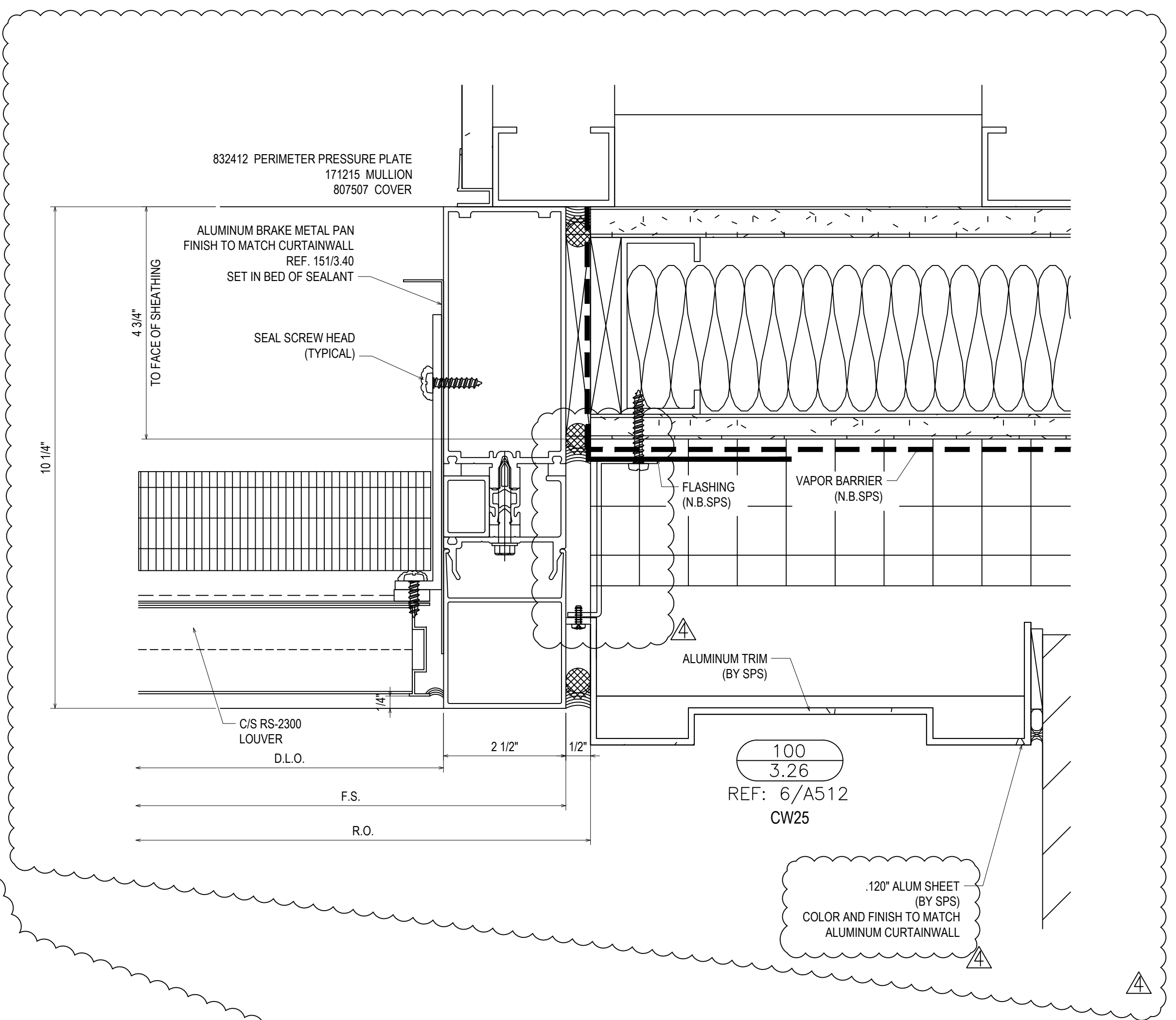
SPS Corporation
Fort Wayne, Indiana Raleigh, North Carolina
Indianapolis, Indiana Charlotte, North Carolina



Drawn By DJ
Date Drawn 2/4/21
Checked By LW
Date Checked 2/4/21
Scale 6" = 1'-0"
File No. xxxx-xx
Job Name VCU STERN
SHEET

KAWNEER DOES NOT HAVE STOCK 1600UT PARTS TO CREATE A 10" DEEP SYSTEM

GENERAL INSTALLATION NOTE (TYPICAL ALL DETAILS):
SEAL HEADS OF ALL FASTENERS WITHIN THE GLAZING POCKET

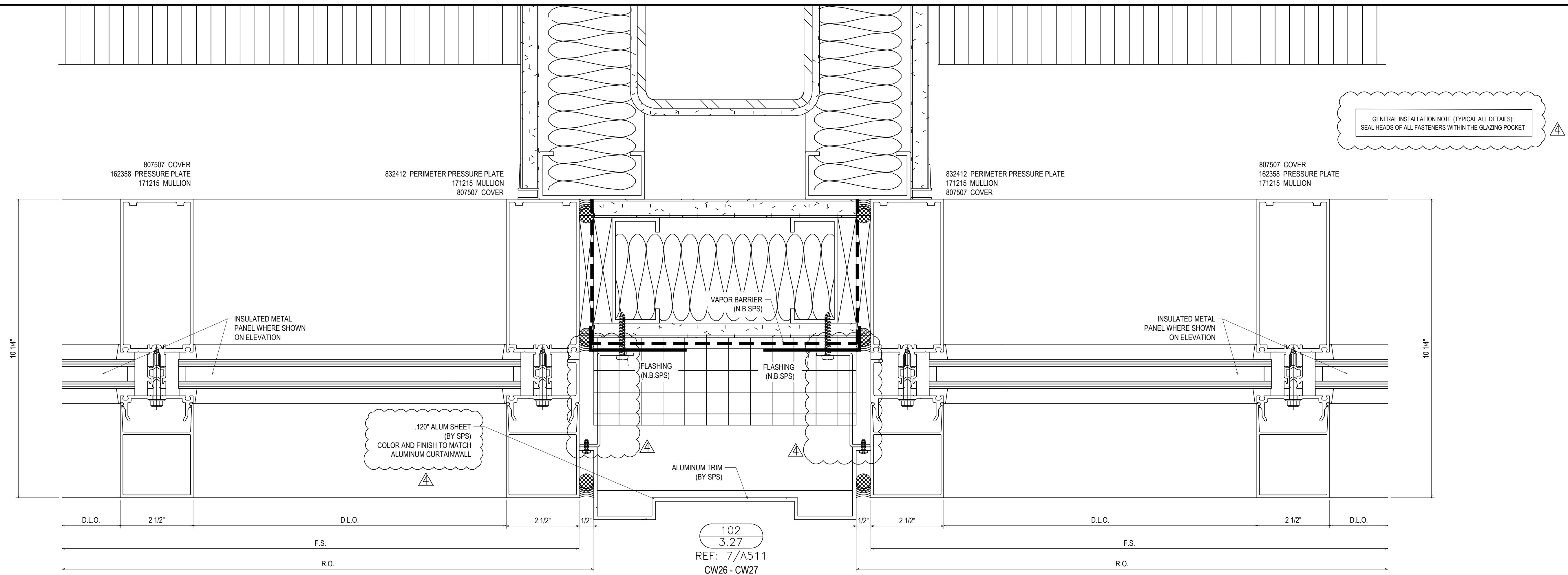


REVISIONS	BY
△ 5/19/21	CW
△ 6/8/21	CW
△ 6/15/21	CW
△ 8/6/21	CW
△ 8/26/21	CW
△ 9/16/21	CW

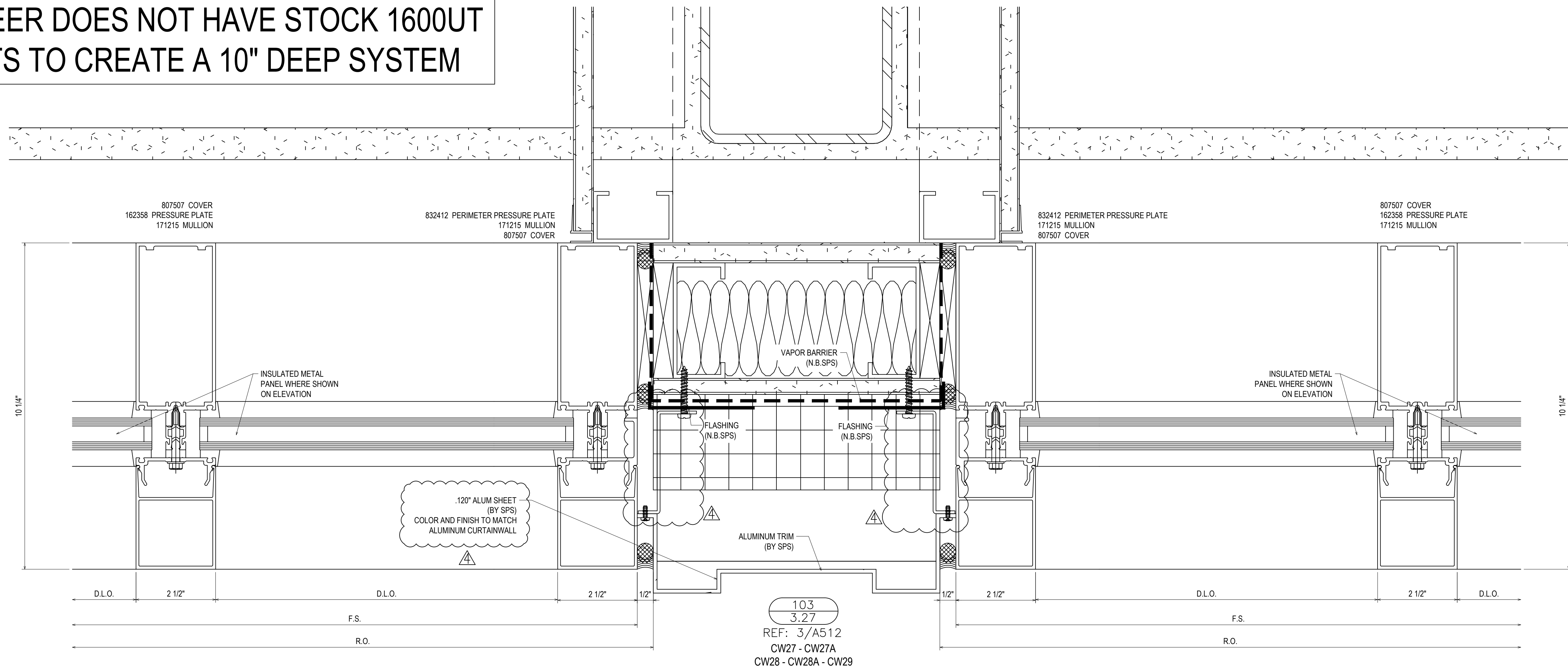
VCU MONROE PARK CAMPUS STEM FACILITY
 RICHMOND, VIRGINIA
 ARCHITECT: BALLINGER
 CUSTOMER: SPS CORPORATION

SPS Corporation
 Fort Wayne, Indiana Raleigh, North Carolina
 Indianapolis, Indiana Charlotte, North Carolina

Drawn By: DJ
 Date Drawn: 2/4/21
 Checked By: LW
 Date Checked: 2/4/21
 Scale: 6" = 1'-0"
 File No.: xxxx-xx
 Job Name: VCU STERN
 SHEET



KAWNEER DOES NOT HAVE STOCK 1600UT PARTS TO CREATE A 10" DEEP SYSTEM



REVISIONS	BY
△ 5/19/21	CW
△ 6/8/21	CW
△ 6/15/21	CW
△ 8/6/21	CW
△ 8/26/21	CW
△ 9/16/21	CW

VCU MONROE PARK CAMPUS STEM FACILITY

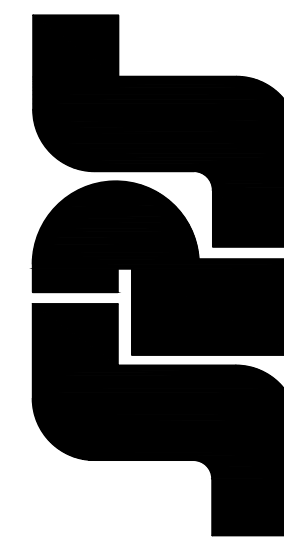
RICHMOND, VIRGINIA

ARCHITECT: BALLINGER

CUSTOMER: SPS CORPORATION

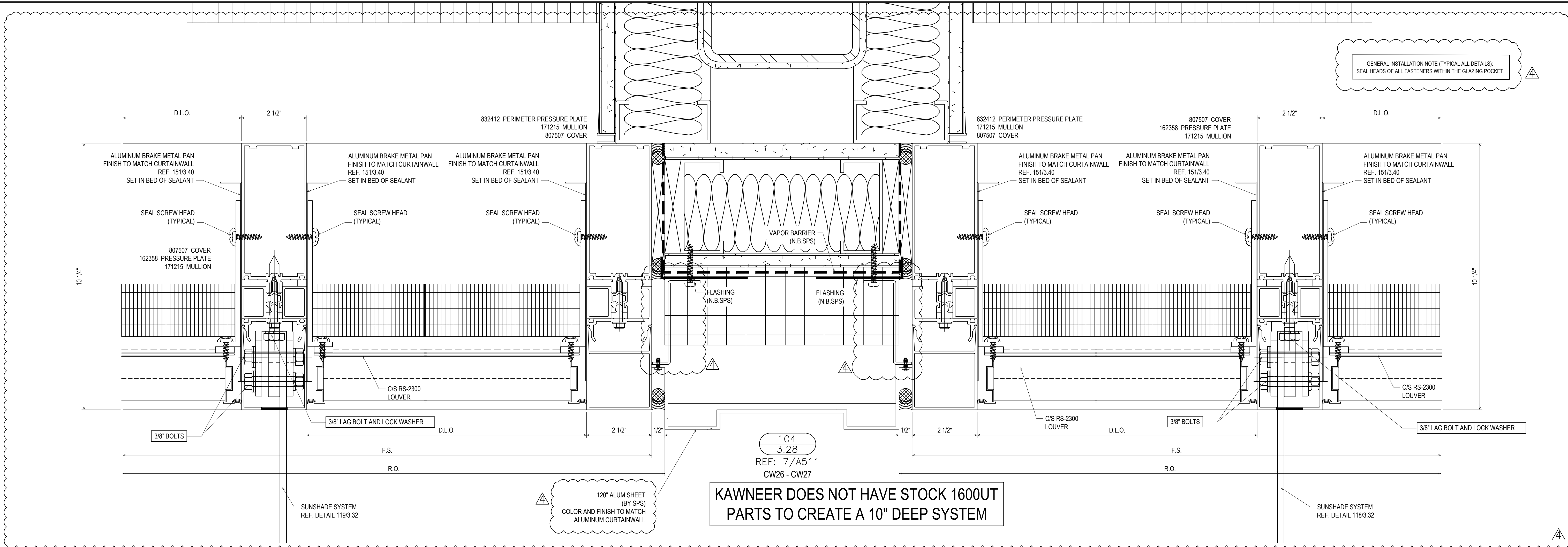
SPS Corporation

Fort Wayne, Indiana Raleigh, North Carolina
Indianapolis, Indiana Charlotte, North Carolina



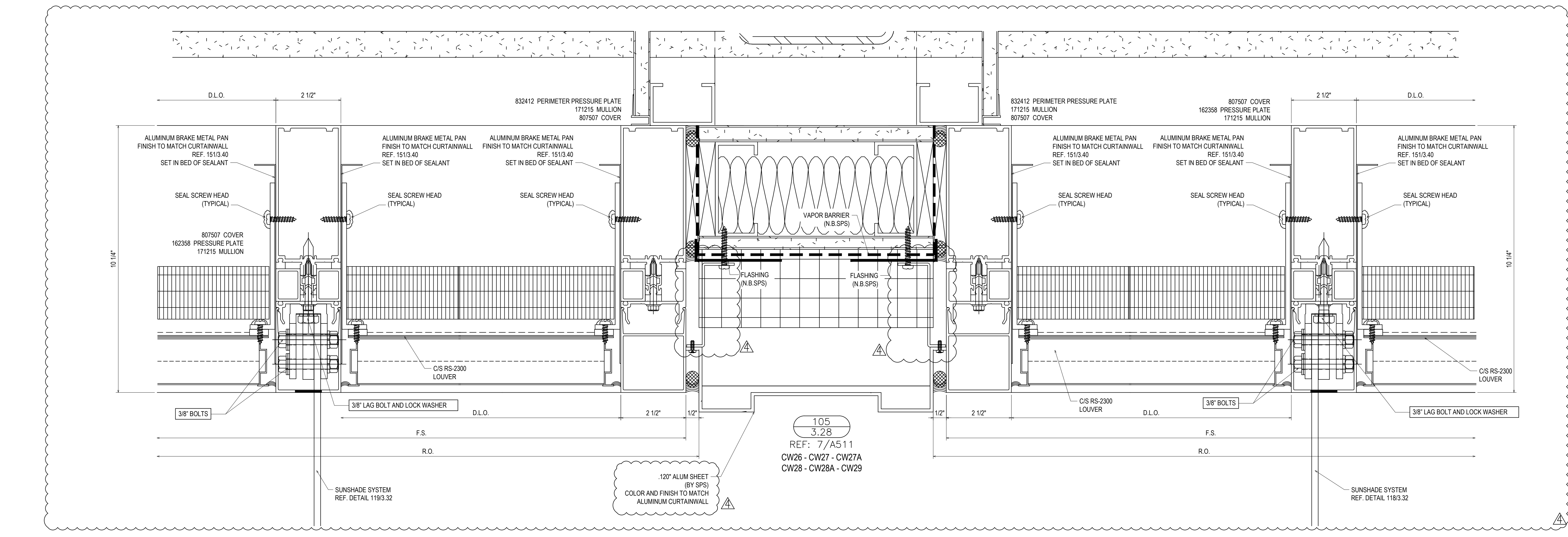
Drawn By	DJ
Date Drawn	2/4/21
Checked By	LW
Date Checked	2/4/21
Scale	6" = 1'-0"
File No.	xxxx-xx
Job Name	VCU STERN
SHEET	

3.27



GENERAL INSTALLATION NOTE (TYPICAL ALL DETAILS):
SEAL HEADS OF ALL FASTENERS WITHIN THE GLAZING POCKET

104
3.28
REF: 7/A511
CW26 - CW27
KAWNEER DOES NOT HAVE STOCK 1600UT PARTS TO CREATE A 10" DEEP SYSTEM



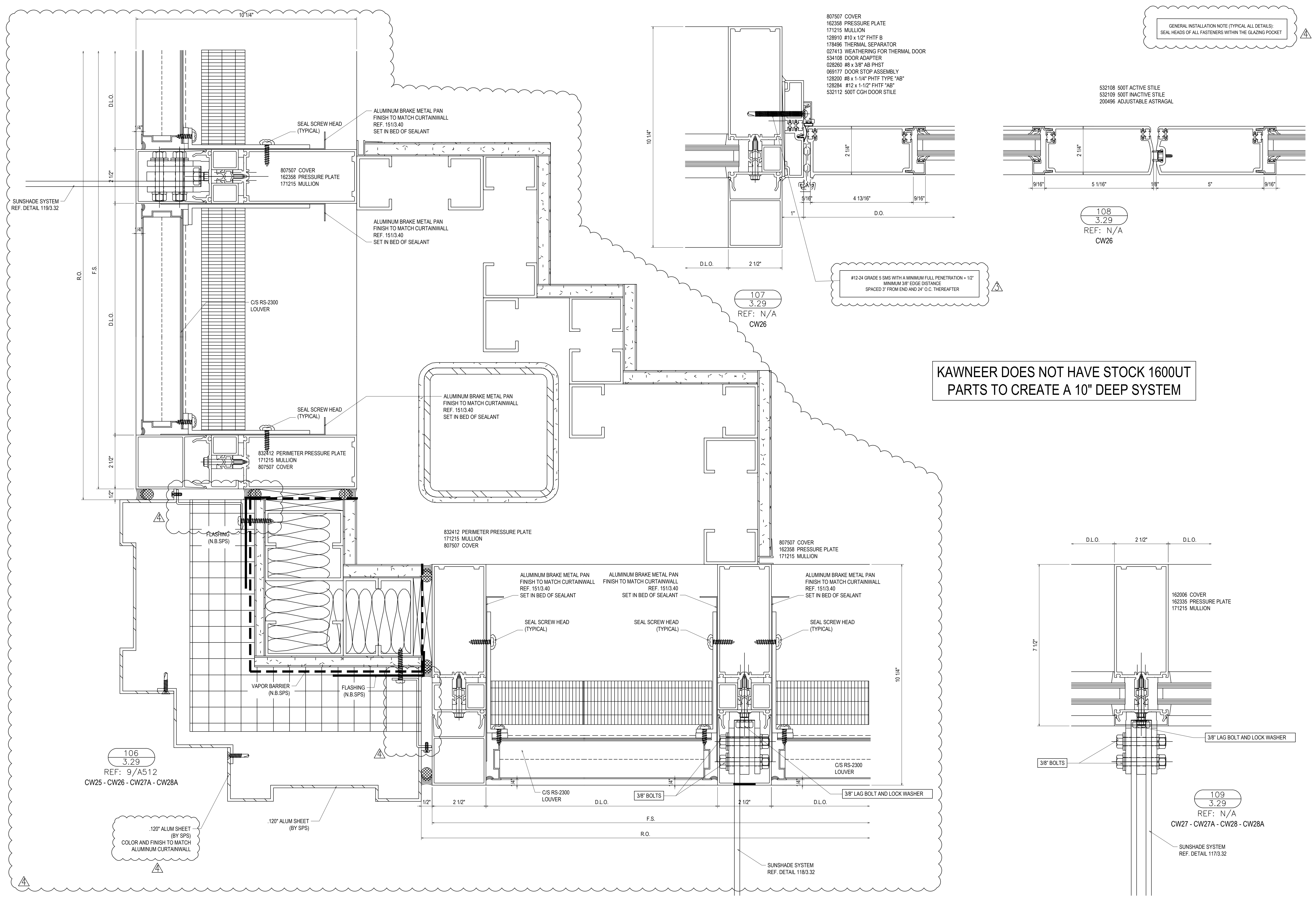
105
3.28
REF: 7/A511
CW26 - CW27 - CW27A
CW28 - CW28A - CW29

REVISIONS	BY
△ 5/19/21	CW
△ 6/8/21	CW
△ 6/15/21	CW
△ 8/6/21	CW
△ 8/26/21	CW
△ 9/16/21	CW

VCU MONROE PARK CAMPUS STEM FACILITY
RICHMOND, VIRGINIA
ARCHITECT: BALLINGER
CUSTOMER: SPS CORPORATION

SPS Corporation
Fort Wayne, Indiana Raleigh, North Carolina
Indianapolis, Indiana Charlotte, North Carolina

Drawn By DJ
Date Drawn 2/4/21
Checked By LW
Date Checked 2/4/21
Scale 6" = 1'-0"
File No. xxxx-xx
Job Name VCU STERN
SHEET



GENERAL INSTALLATION NOTE (TYPICAL ALL DETAILS):
SEAL HEADS OF ALL FASTENERS WITHIN THE GLAZING POCKET

- 807507 COVER
- 162358 PRESSURE PLATE
- 171215 MULLION
- 128910 #10 x 1/2" FHTF B
- 178496 THERMAL SEPARATOR
- 027413 WEATHERING FOR THERMAL DOOR
- 534108 DOOR ADAPTER
- 028290 #8 x 3/8" AB PHST
- 069177 DOOR STOP ASSEMBLY
- 128200 #8 x 1-1/4" FHTF TYPE "AB"
- 128284 #12 x 1-1/2" FHTF TYPE "AB"
- 532112 500T CGH DOOR STILE

- 532108 500T ACTIVE STILE
- 532109 500T INACTIVE STILE
- 200496 ADJUSTABLE ASTRAGAL

108
3.29
REF: N/A
CW26

107
3.29
REF: N/A
CW26

KAWNEER DOES NOT HAVE STOCK 1600UT PARTS TO CREATE A 10" DEEP SYSTEM

106
3.29
REF: 9/A512
CW25 - CW26 - CW27A - CW28A

109
3.29
REF: N/A
CW27 - CW27A - CW28 - CW28A

REVISIONS	BY
△	5/19/21 CW
△	6/8/21 CW
△	6/15/21 CW
△	8/6/21 CW
△	8/26/21 CW
△	9/16/21 CW

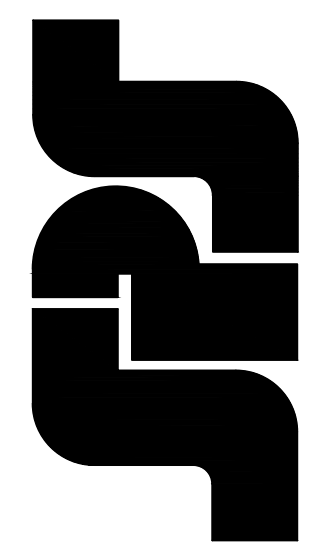
VCU MONROE PARK CAMPUS STEM FACILITY

RICHMOND, VIRGINIA

ARCHITECT: BALLINGER

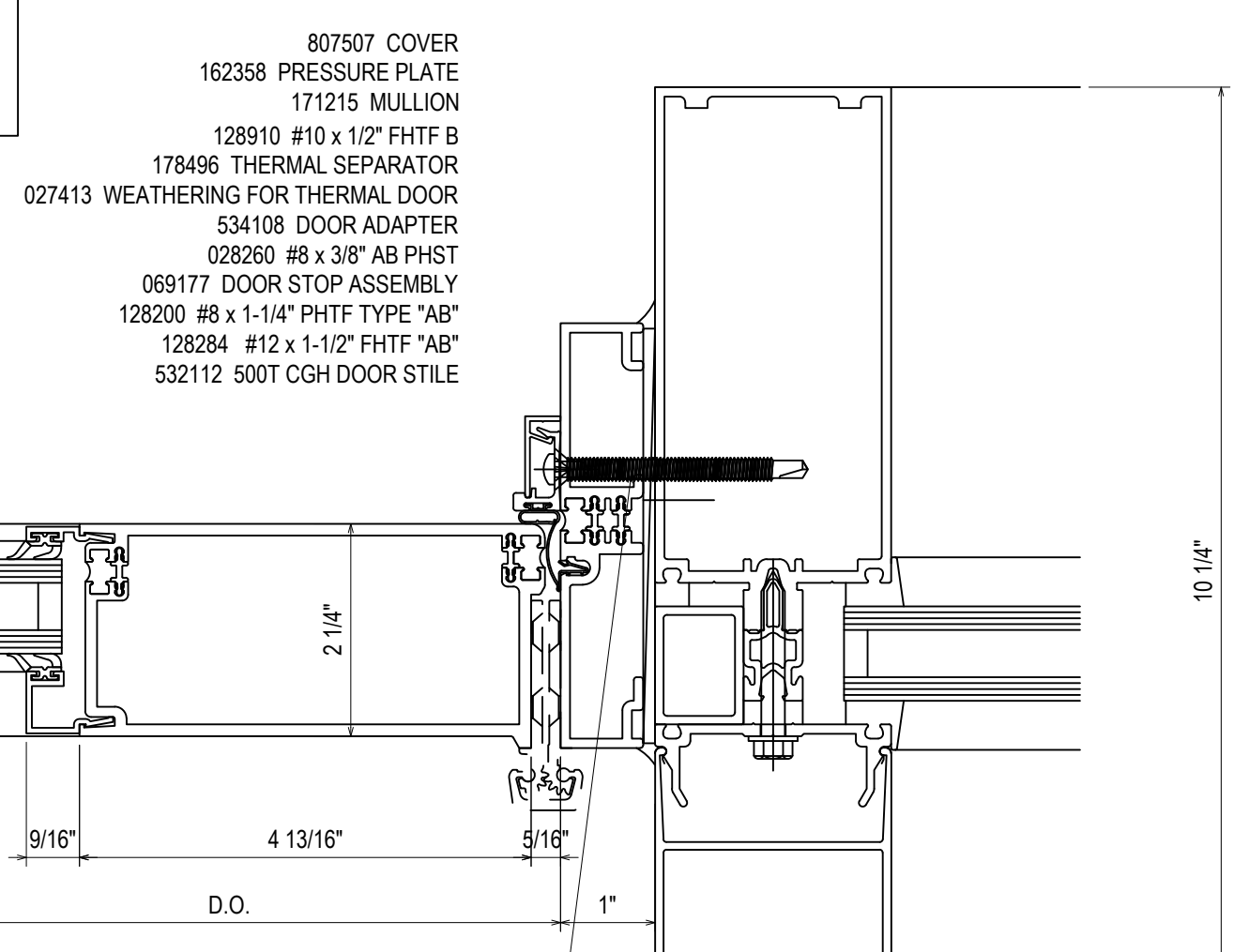
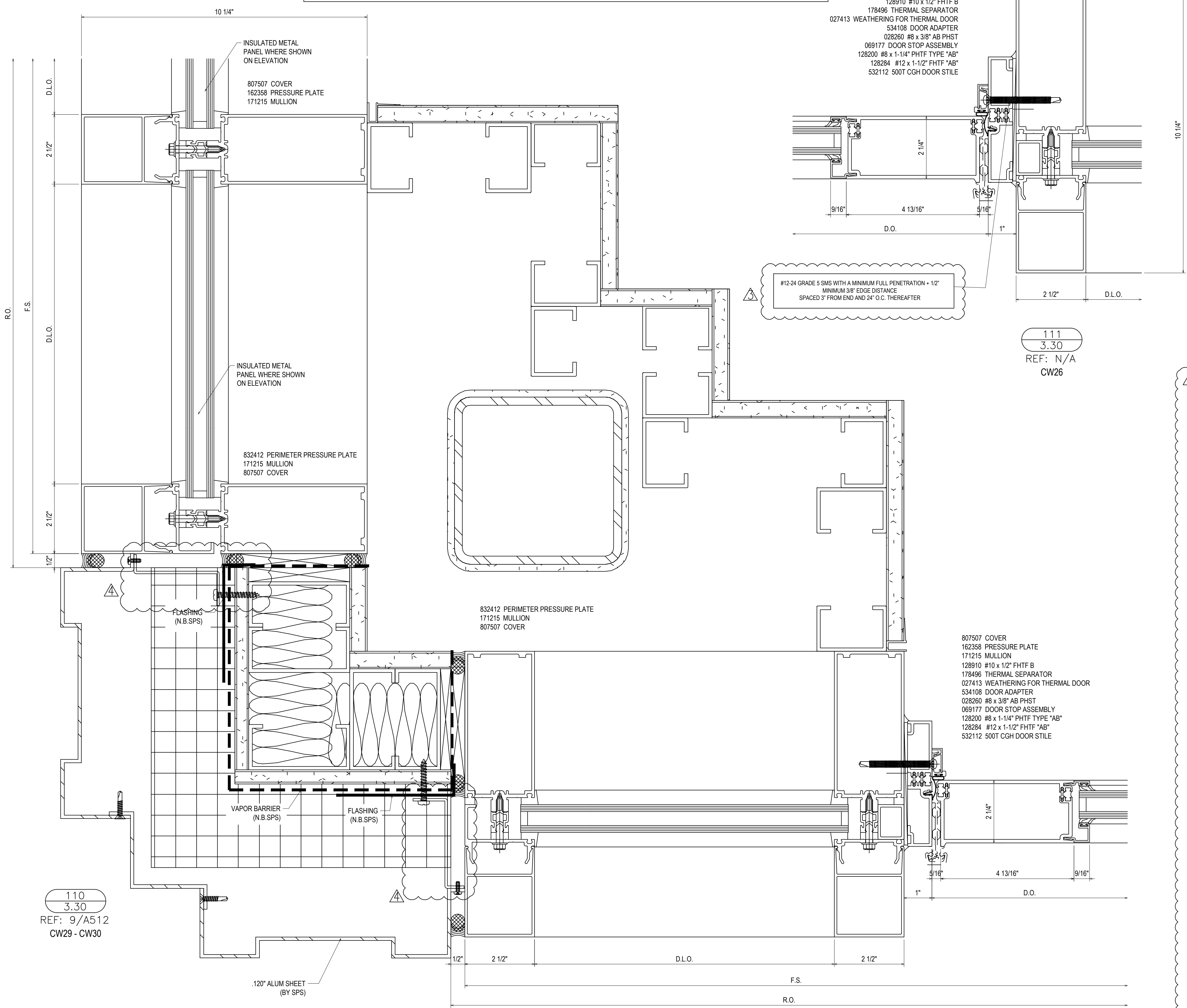
CUSTOMER: SPS CORPORATION

SPS Corporation
Fort Wayne, Indiana Raleigh, North Carolina
Indianapolis, Indiana Charlotte, North Carolina



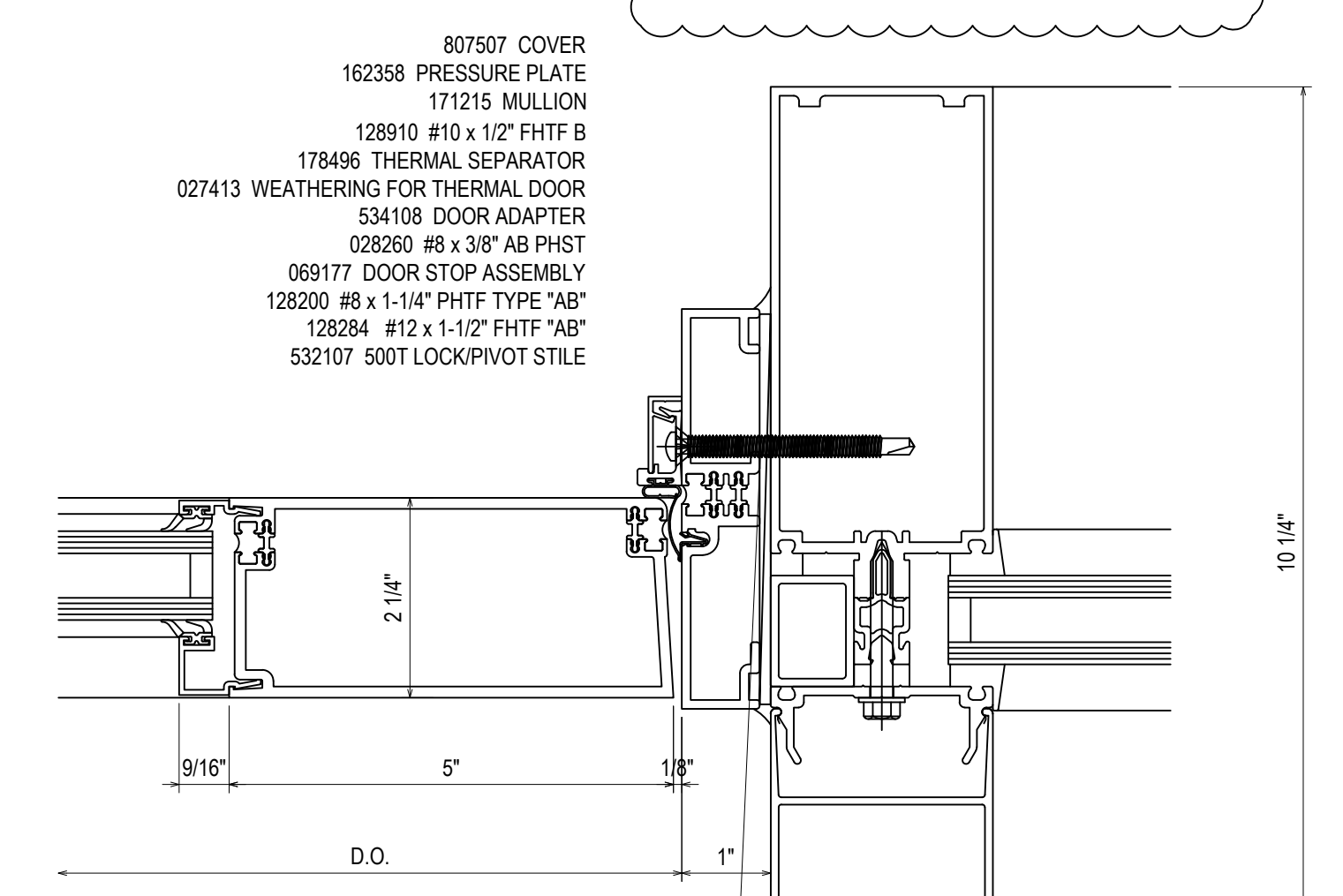
Drawn By	DJ
Date Drawn	2/4/21
Checked By	LW
Date Checked	2/4/21
Scale	6" = 1'-0"
File No.	xxxx-xx
Job Name	VCU STERN
SHEET	

KAWNEER DOES NOT HAVE STOCK 1600UT PARTS TO CREATE A 10" DEEP SYSTEM



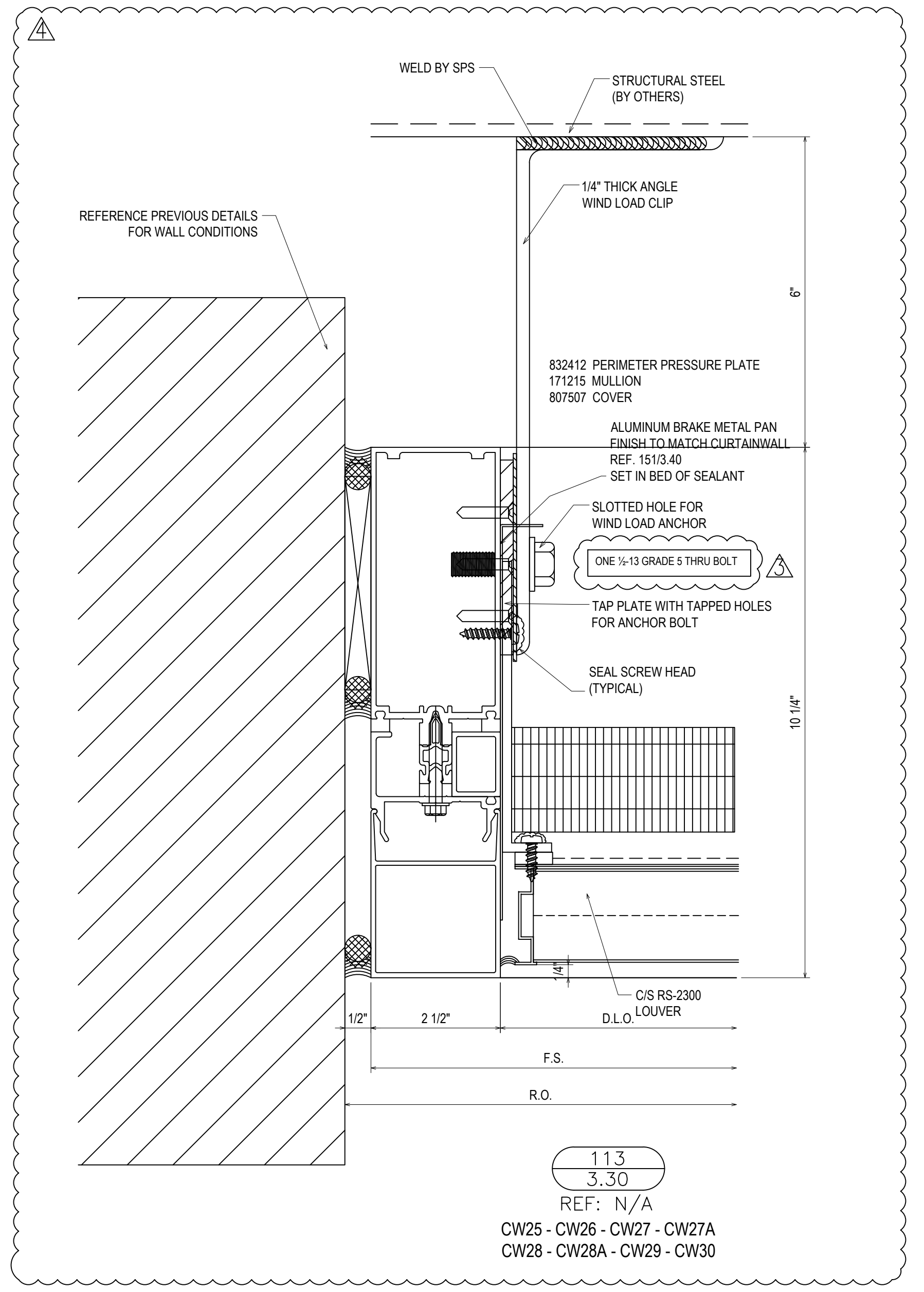
#12-24 GRADE 5 SMS WITH A MINIMUM FULL PENETRATION + 1/2\"/>

111
3.30
REF: N/A
CW26



#12-24 GRADE 5 SMS WITH A MINIMUM FULL PENETRATION + 1/2\"/>

112
3.30
REF: N/A
CW29



113
3.30
REF: N/A
CW25 - CW26 - CW27 - CW27A
CW28 - CW28A - CW29 - CW30

110
3.30
REF: 9/A512
CW29 - CW30

REVISIONS	BY
△ 5/19/21	CW
△ 6/8/21	CW
△ 6/15/21	CW
△ 8/6/21	CW
△ 8/26/21	CW
△ 9/16/21	CW

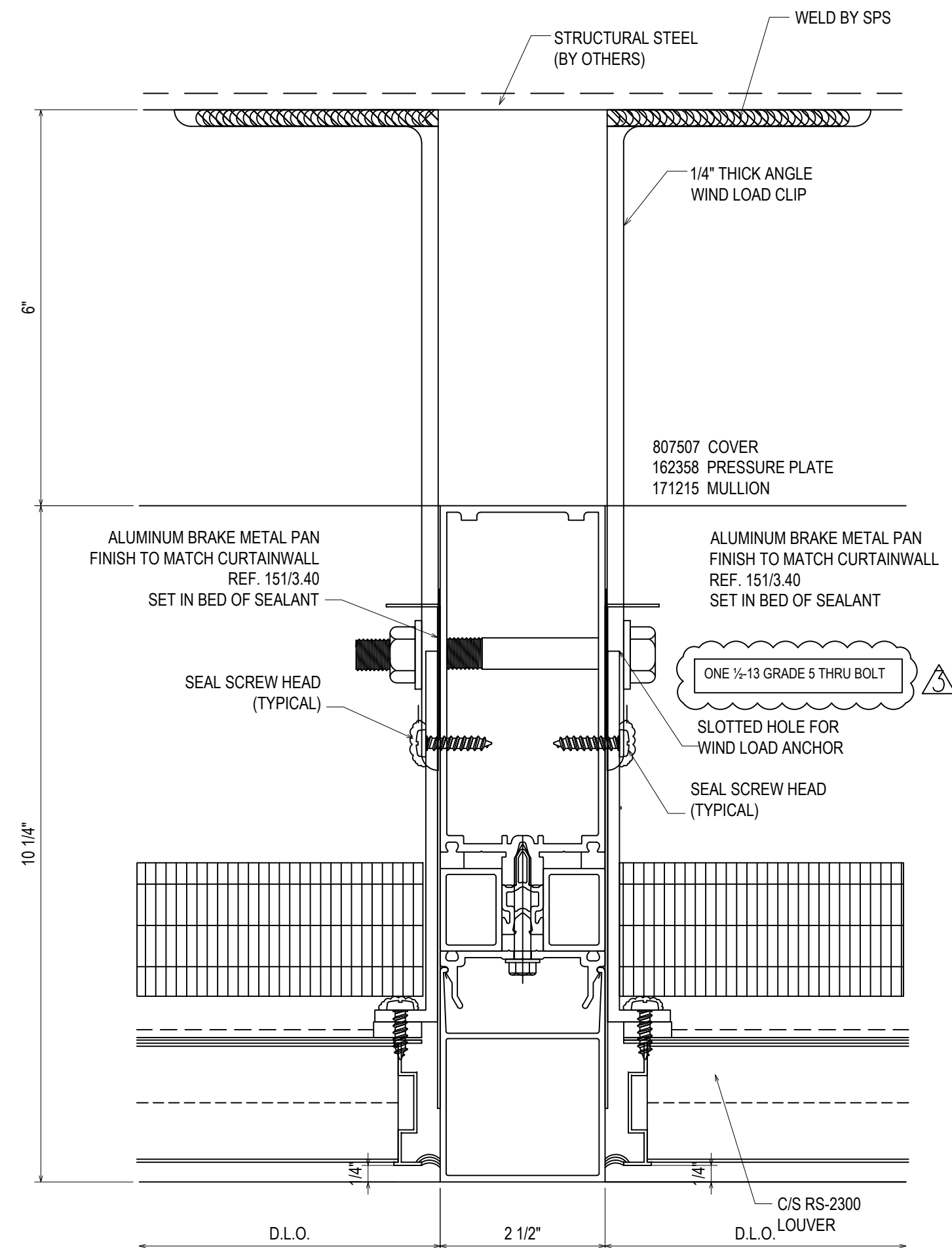
VCU MONROE PARK CAMPUS STEM FACILITY
RICHMOND, VIRGINIA
ARCHITECT: BALLINGER
CUSTOMER: SPS CORPORATION

SPS Corporation
Fort Wayne, Indiana Raleigh, North Carolina
Indianapolis, Indiana Charlotte, North Carolina

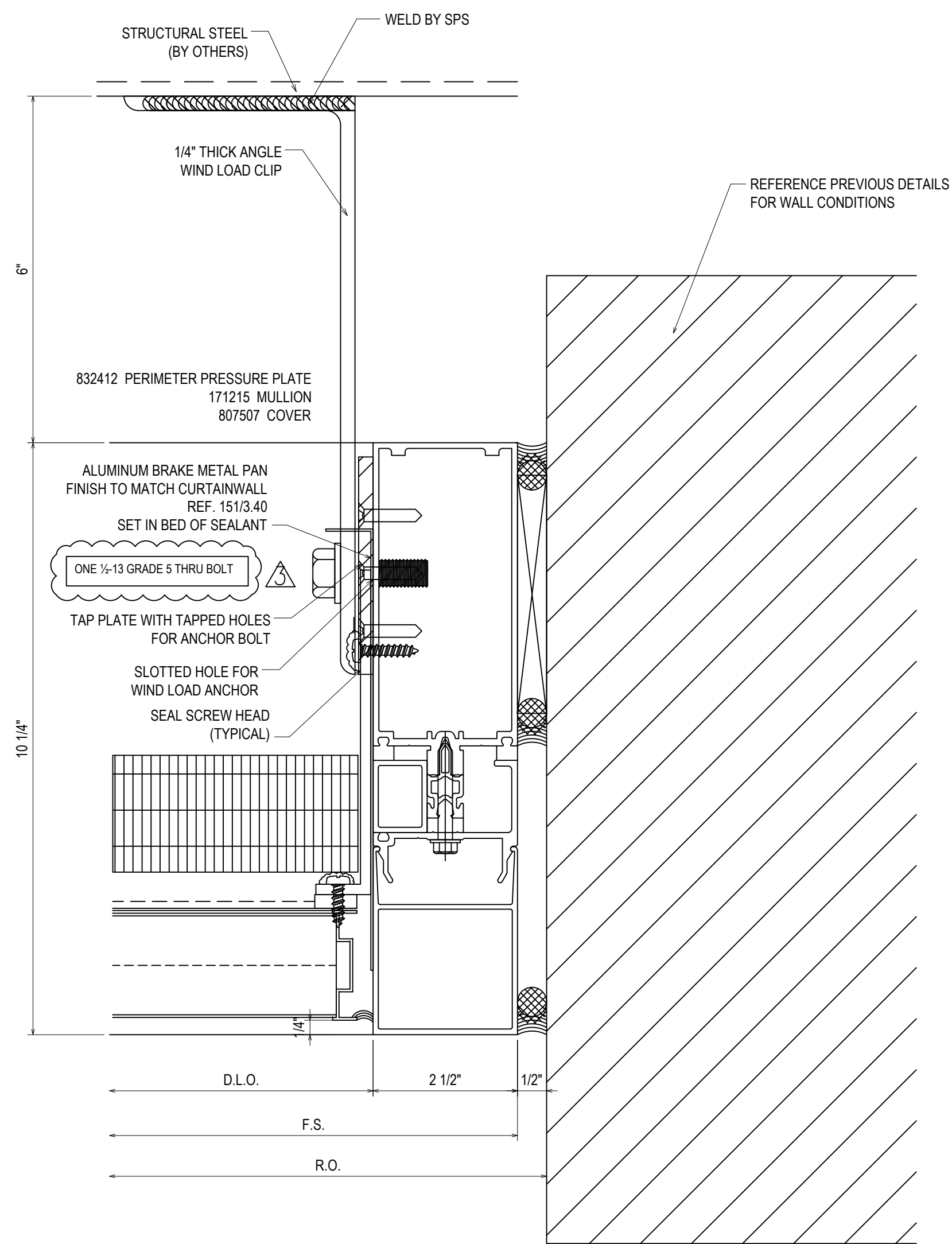
Drawn By DJ
Date Drawn 2/4/21
Checked By LW
Date Checked 2/4/21
Scale 6" = 1'-0"
File No. xxxx-xx
Job Name VCU STERN
SHEET

KAWNEER DOES NOT HAVE STOCK 1600UT PARTS TO CREATE A 10" DEEP SYSTEM

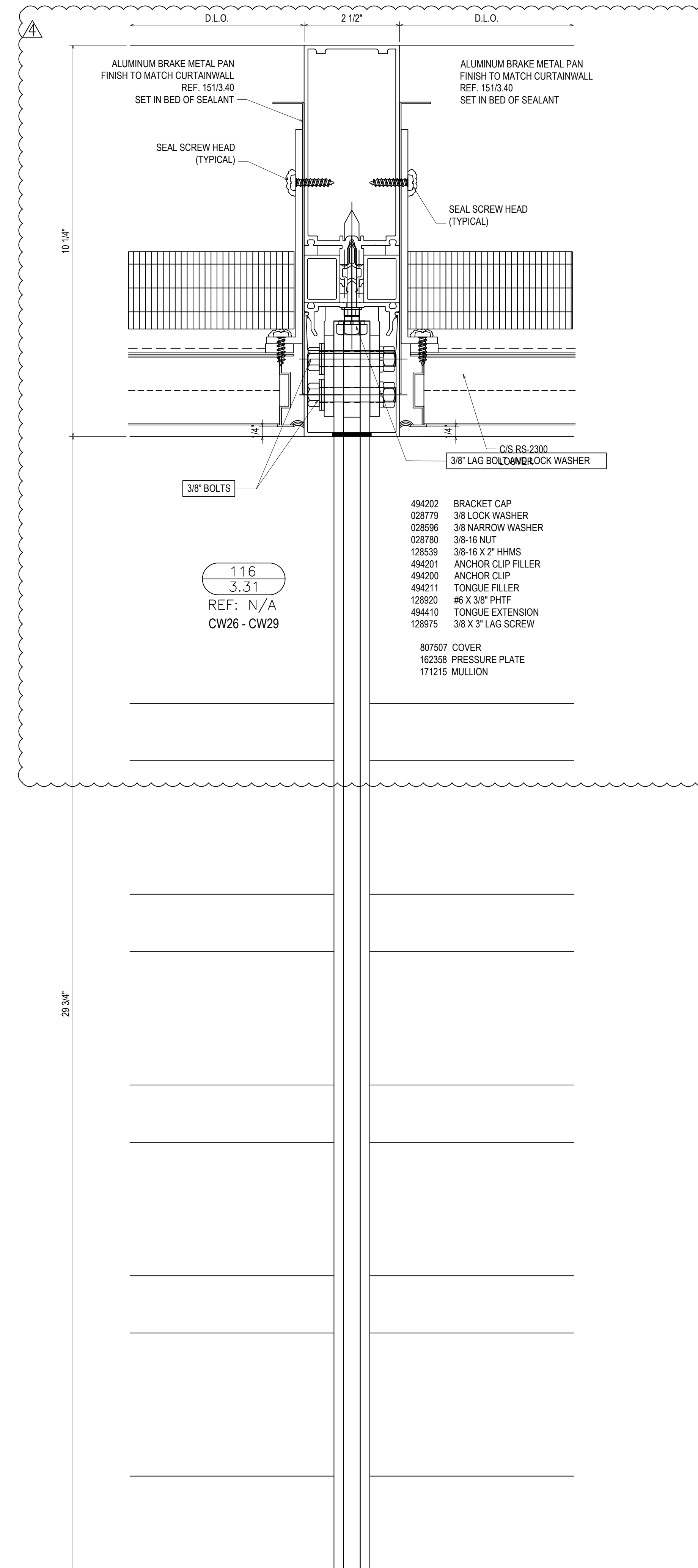
GENERAL INSTALLATION NOTE (TYPICAL ALL DETAILS):
SEAL HEADS OF ALL FASTENERS WITHIN THE GLAZING POCKET



114
3.31
REF: N/A
CW25 - CW26 - CW27 - CW27A
CW28 - CW28A - CW29 - CW30



115
3.31
REF: N/A
CW25 - CW26 - CW27 - CW27A
CW28 - CW28A - CW29 - CW30



494202 BRACKET CAP
028779 3/8 LOCK WASHER
028596 3/8 NARROW WASHER
028750 3/8-16 NUT
122539 3/8-16 X 2" HHMS
494201 ANCHOR CLIP FILLER
494200 ANCHOR CLIP
494211 TONGUE FILLER
128920 #6 X 3/8" PHTF
494410 TONGUE EXTENSION
128975 3/8 X 3" LAG SCREW

807507 COVER
162358 PRESSURE PLATE
171215 MULLION

REVISIONS	BY
5/19/21	CW
6/8/21	CW
6/15/21	CW
8/6/21	CW
8/26/21	CW
9/16/21	CW

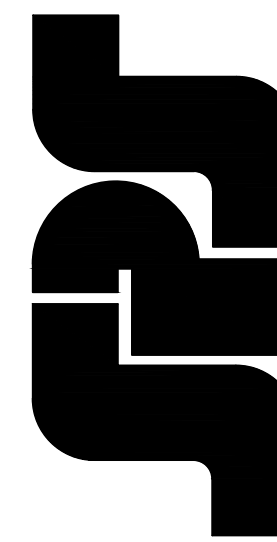
VCU MONROE PARK CAMPUS STEM FACILITY

RICHMOND, VIRGINIA

ARCHITECT: BALLINGER
CUSTOMER: SPS CORPORATION

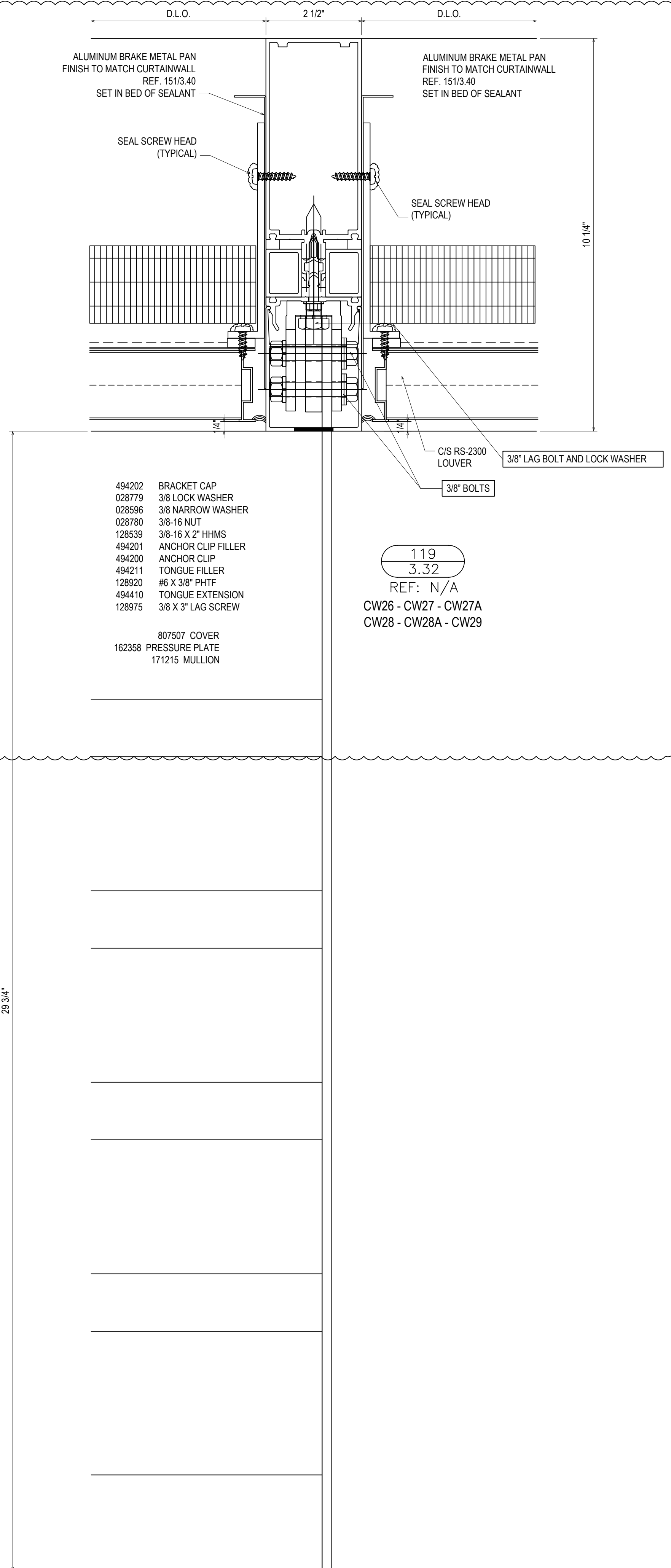
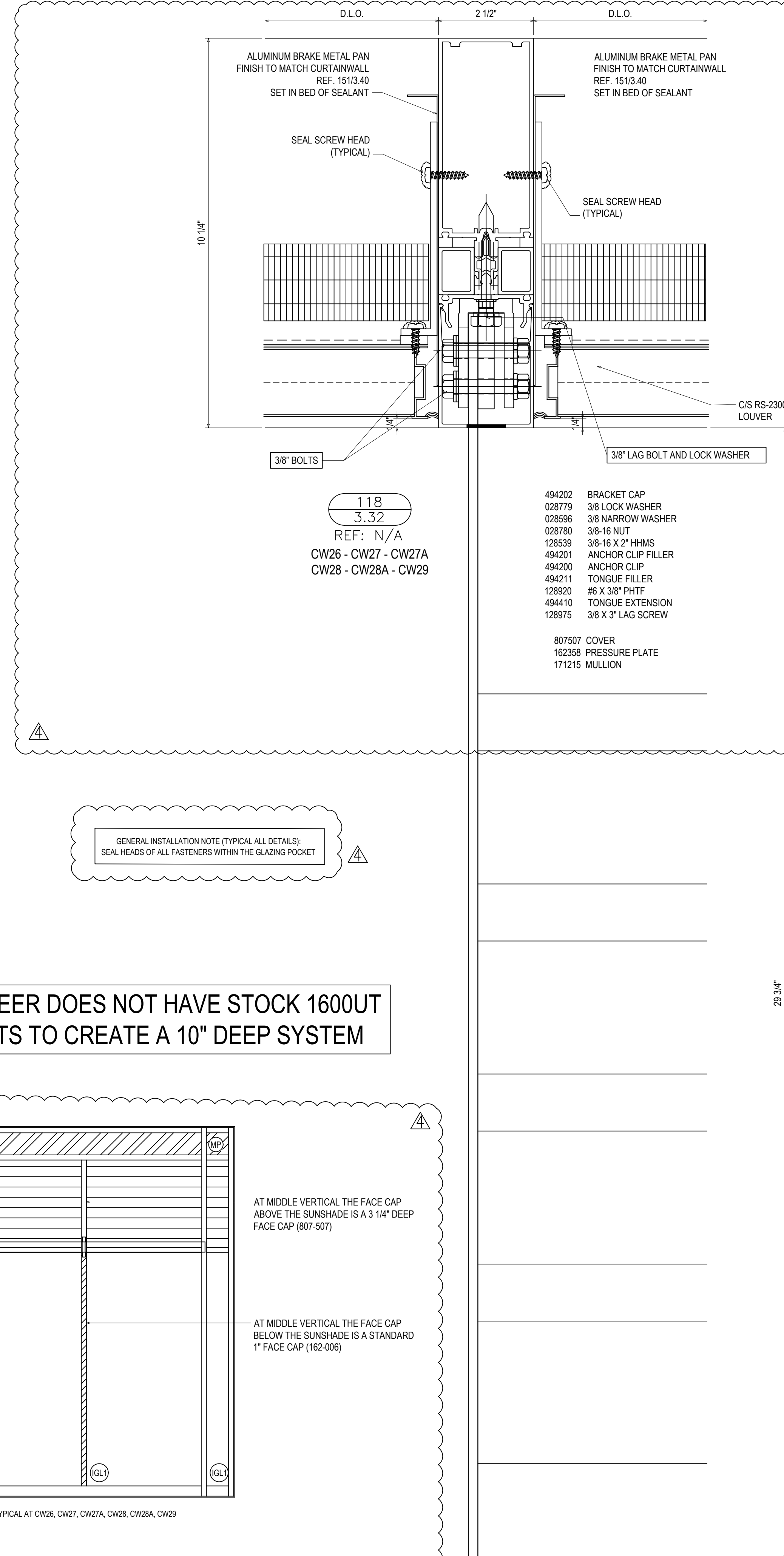
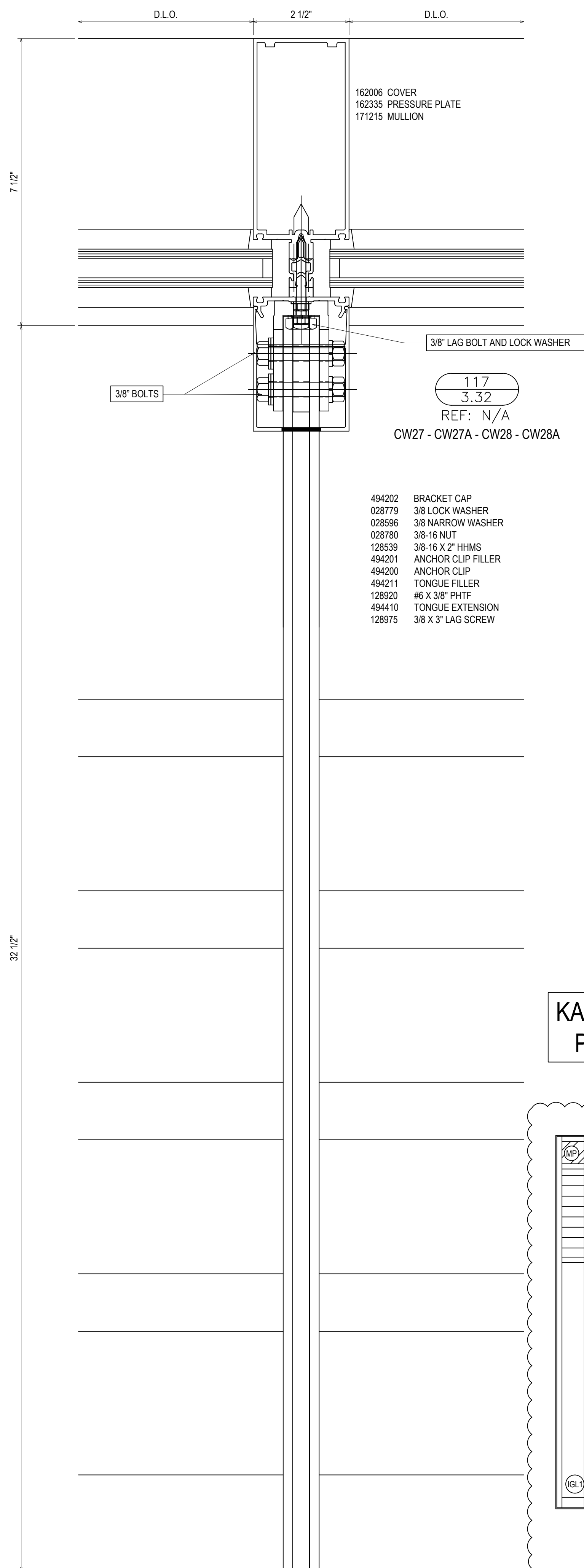
SPS Corporation

Fort Wayne, Indiana Raleigh, North Carolina
Indianapolis, Indiana Charlotte, North Carolina



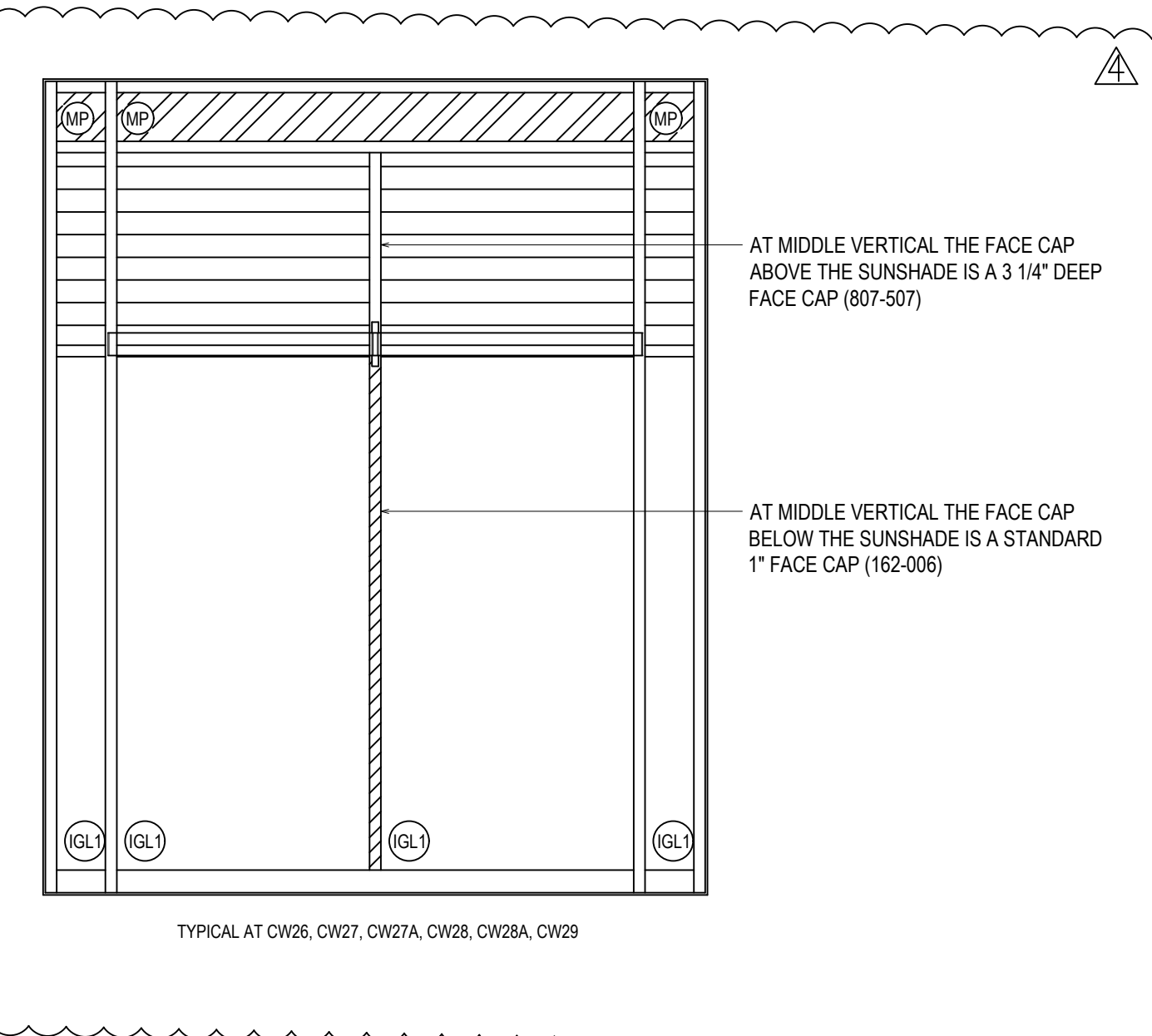
Drawn By	DJ
Date Drawn	2/4/21
Checked By	LW
Date Checked	2/4/21
Scale	6" = 1'-0"
File No.	xxxx-xx
Job Name	VCU STERN
SHEET	

3.31



GENERAL INSTALLATION NOTE (TYPICAL ALL DETAILS):
SEAL HEADS OF ALL FASTENERS WITHIN THE GLAZING POCKET

KAWNEER DOES NOT HAVE STOCK 1600UT
PARTS TO CREATE A 10" DEEP SYSTEM



REVISIONS	BY
△ 5/19/21	CW
△ 6/8/21	CW
△ 6/15/21	CW
△ 8/6/21	CW
△ 8/26/21	CW
△ 9/16/21	CW

VCU MONROE PARK CAMPUS STEM FACILITY

RICHMOND, VIRGINIA

ARCHITECT: BALLINGER
CUSTOMER: SPS CORPORATION

SPS Corporation

Fort Wayne, Indiana Raleigh, North Carolina
Indianapolis, Indiana Charlotte, North Carolina

Drawn By
DJ

Date Drawn
2/4/21

Checked By
LW

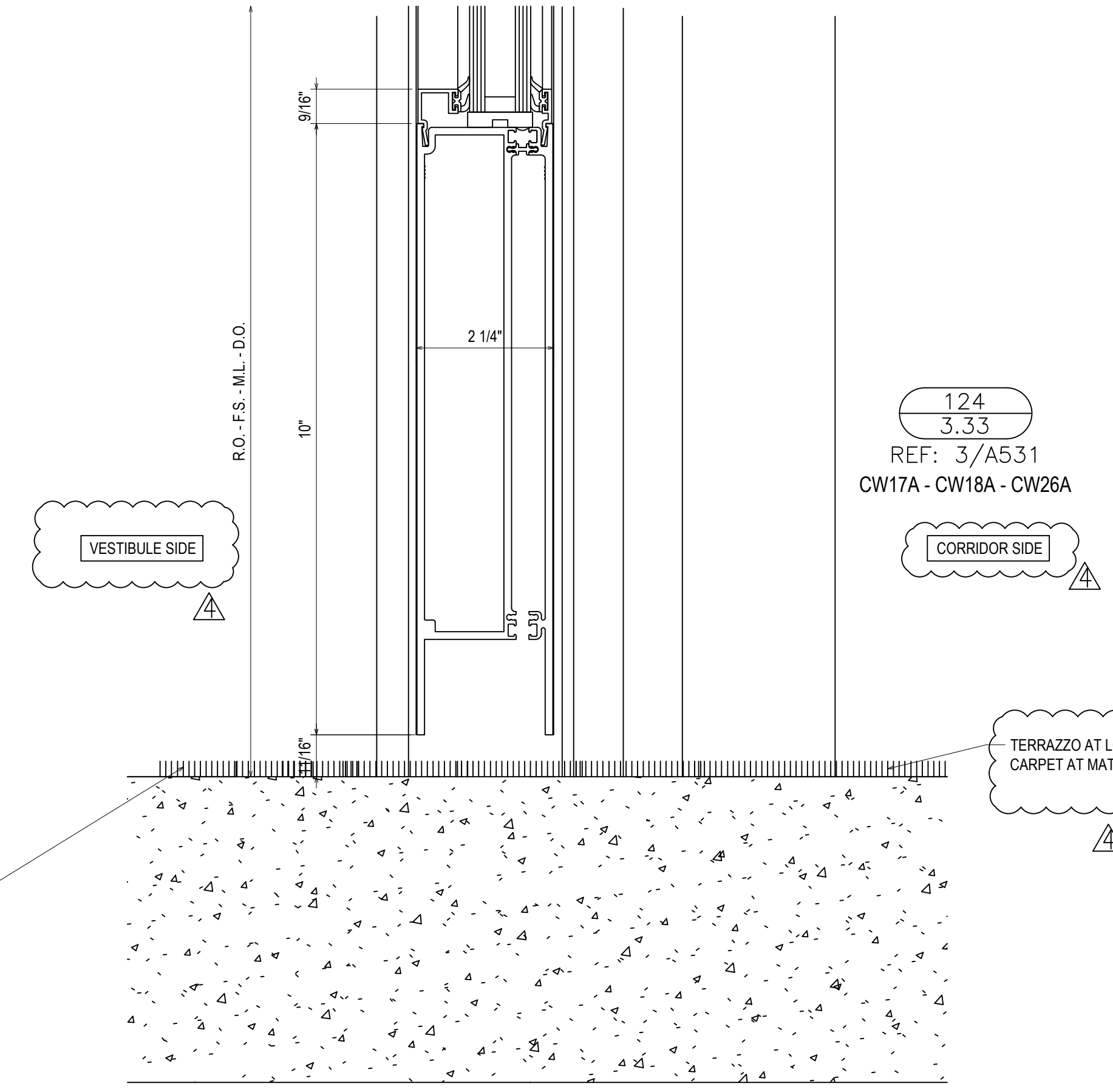
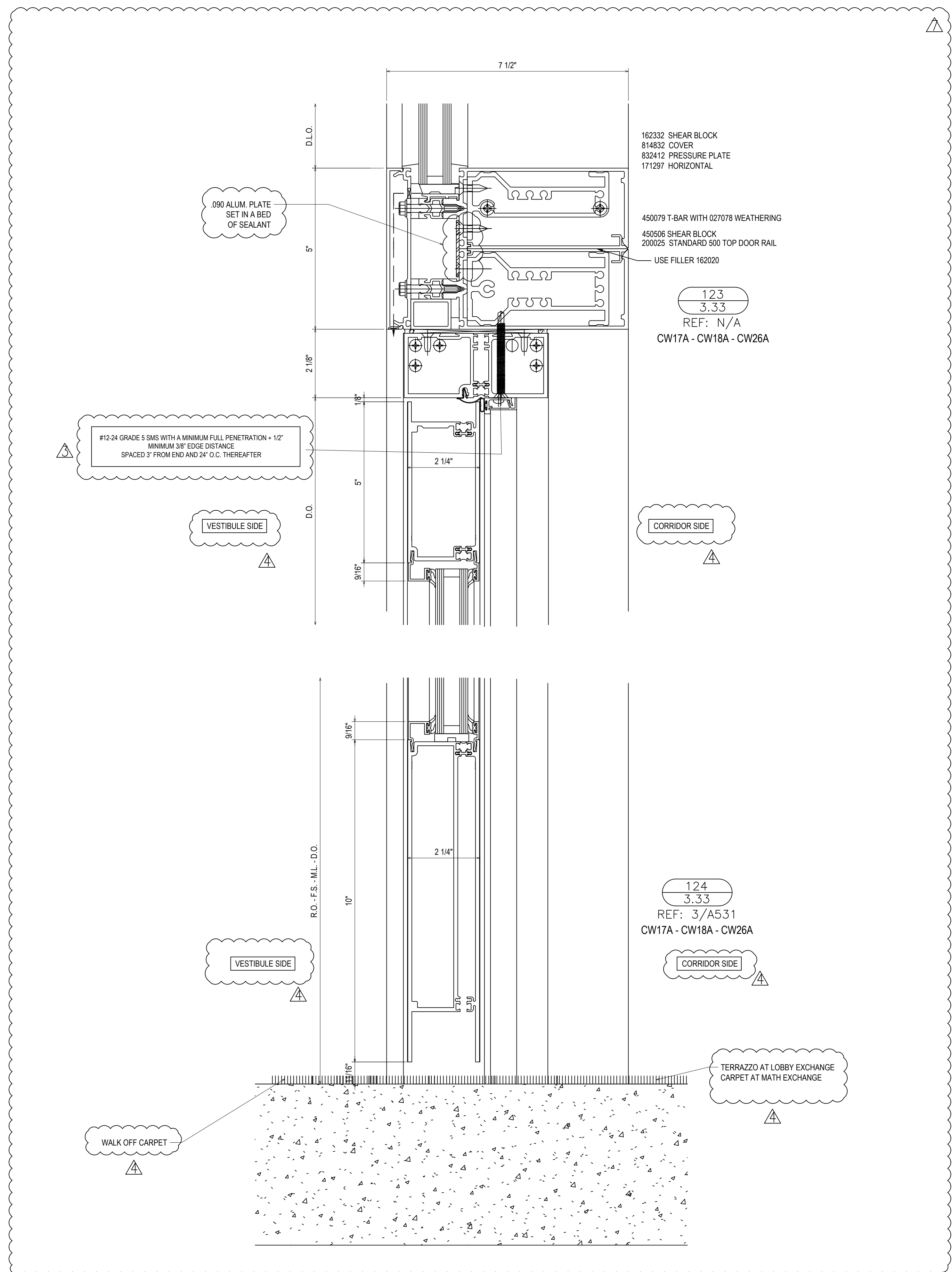
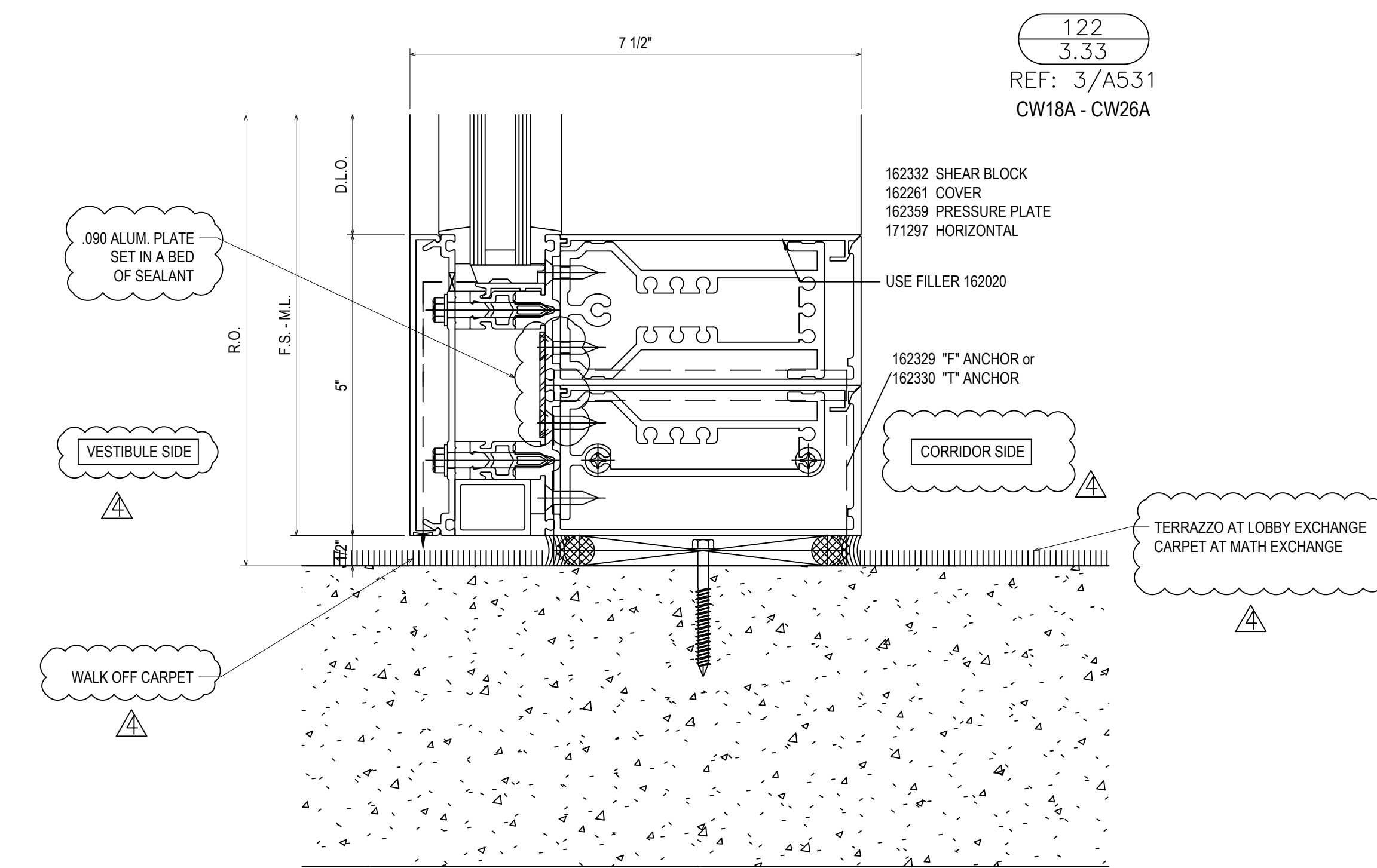
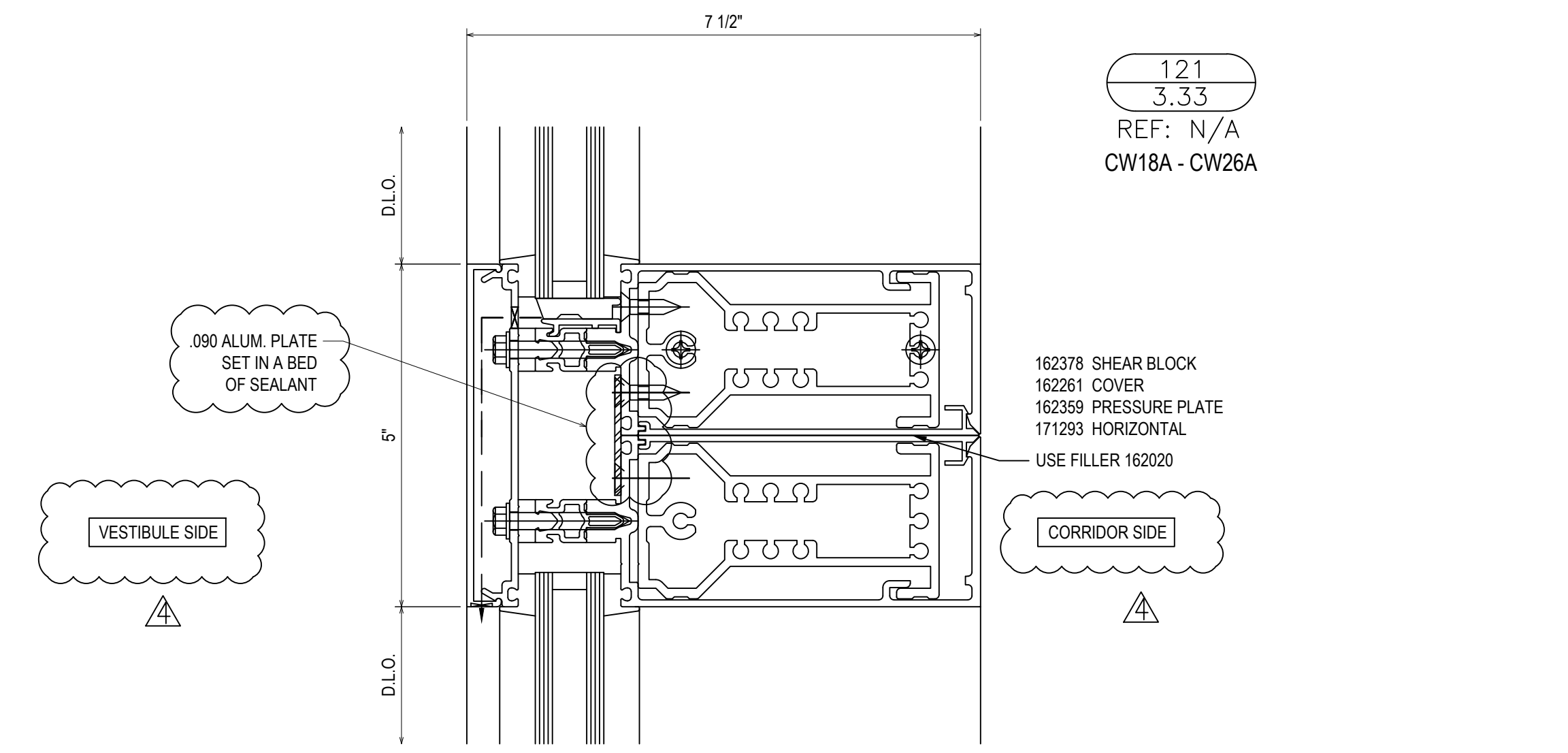
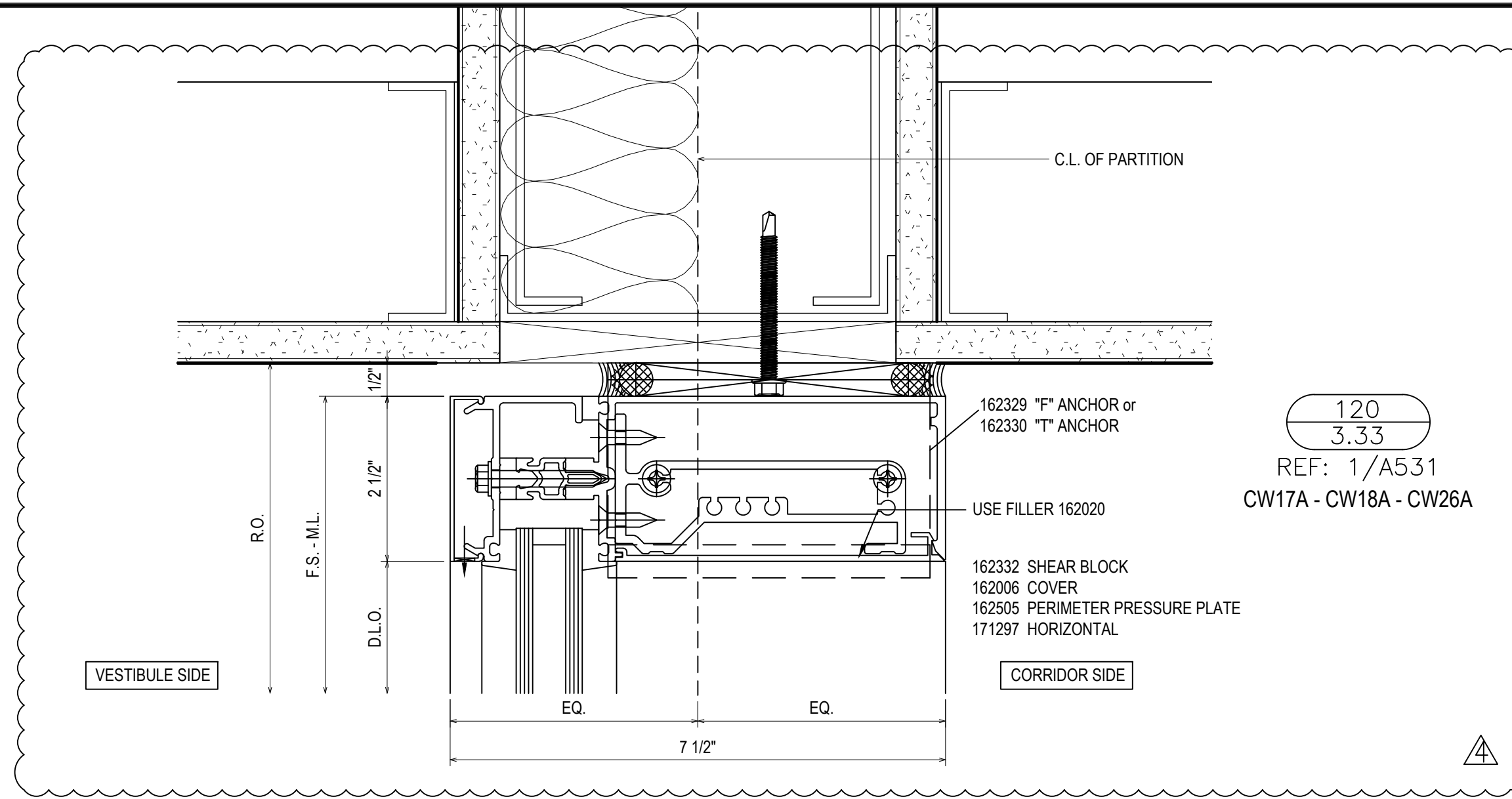
Date Checked
2/4/21

Scale
6" = 1'-0"

File No.
xxxx-xx

Job Name
VCU STERN

SHEET



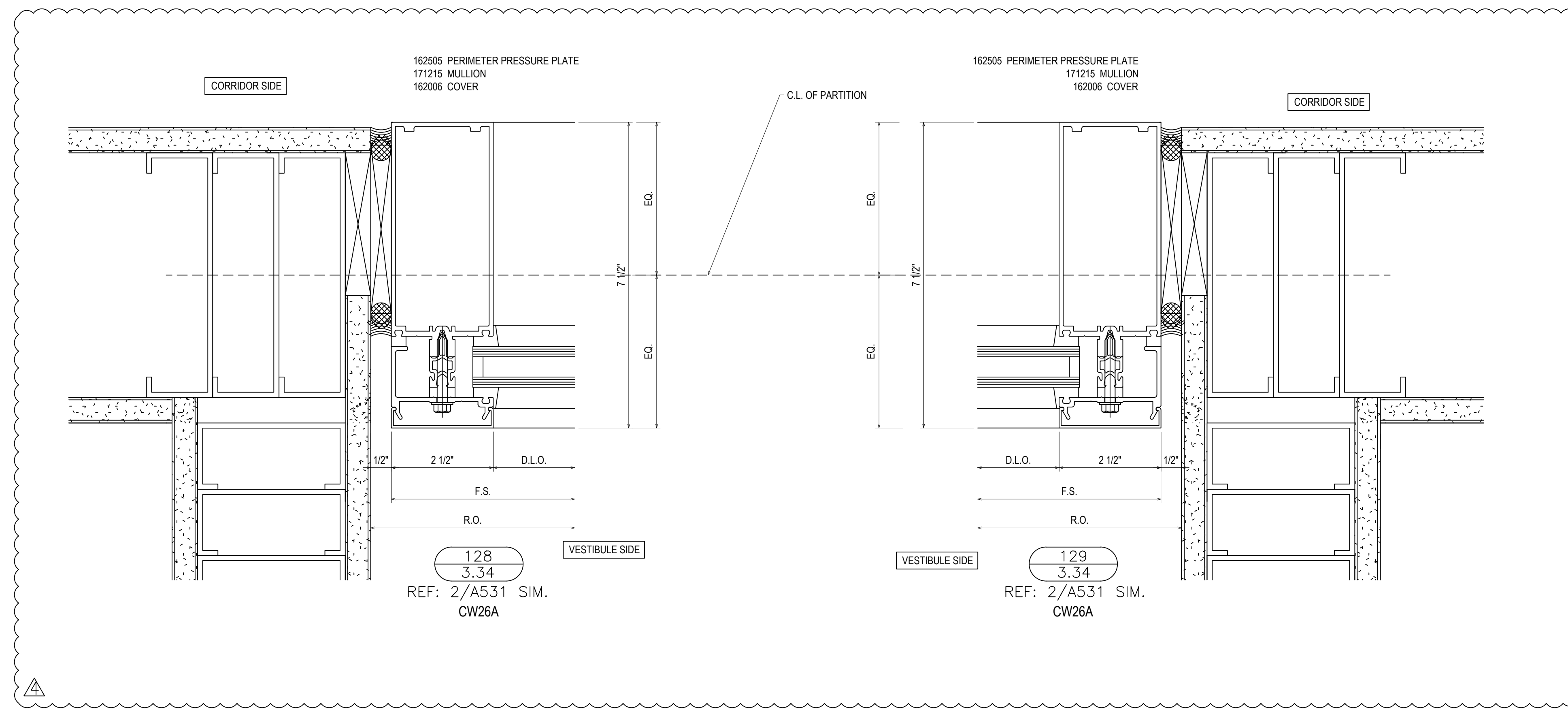
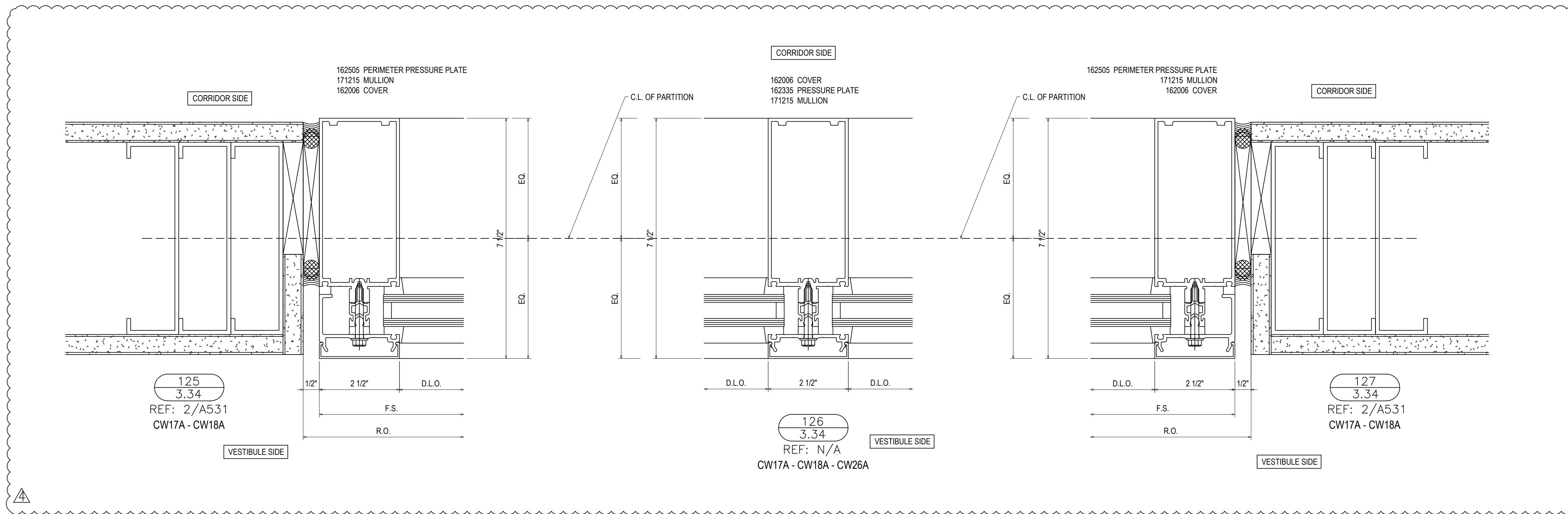
REVISIONS	BY
△ 5/19/21	CW
△ 6/8/21	CW
△ 6/15/21	CW
△ 8/6/21	CW
△ 8/26/21	CW
△ 9/16/21	CW

VCU MONROE PARK CAMPUS STEM FACILITY
 RICHMOND, VIRGINIA
 ARCHITECT: BALLINGER
 CUSTOMER: SPS CORPORATION

SPS Corporation
 Fort Wayne, Indiana Raleigh, North Carolina
 Indianapolis, Indiana Charlotte, North Carolina

Drawn By: DJ
 Date Drawn: 2/4/21
 Checked By: LW
 Date Checked: 2/4/21
 Scale: 6" = 1'-0"
 File No.: xxxx-xx
 Job Name: VCU STERN
 SHEET

REVISIONS	BY
△	5/19/21 CW
△	6/8/21 CW
△	6/15/21 CW
△	8/6/21 CW
△	8/26/21 CW
△	9/16/21 CW



VCU MONROE PARK CAMPUS STEM FACILITY

RICHMOND, VIRGINIA

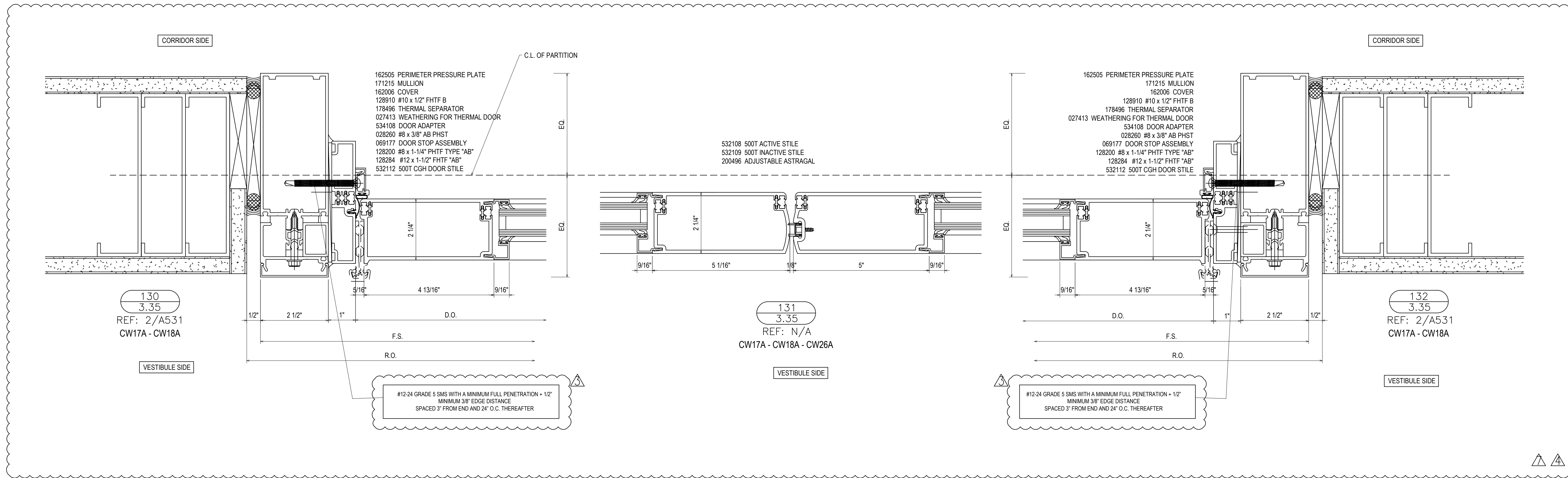
ARCHITECT: BALLINGER
CUSTOMER: SPS CORPORATION

SPS Corporation

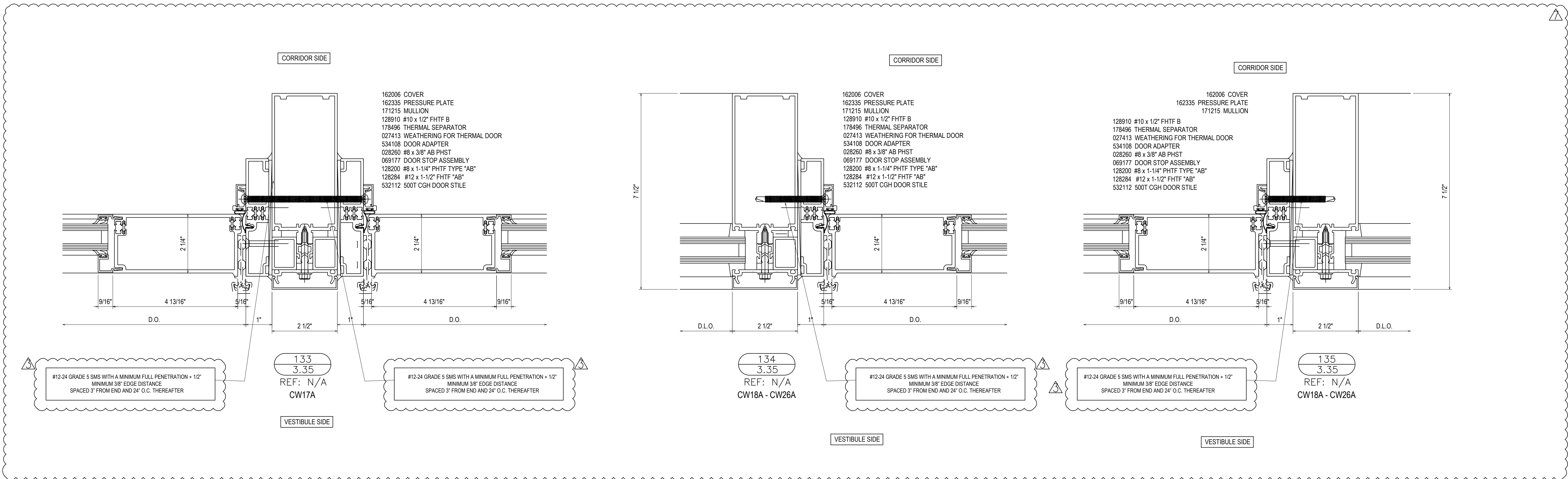
Fort Wayne, Indiana Raleigh, North Carolina
Indianapolis, Indiana Charlotte, North Carolina

Drawn By	DJ
Date Drawn	2/4/21
Checked By	LW
Date Checked	2/4/21
Scale	6" = 1'-0"
File No.	xxxx-xx
Job Name	VCU STERN
SHEET	

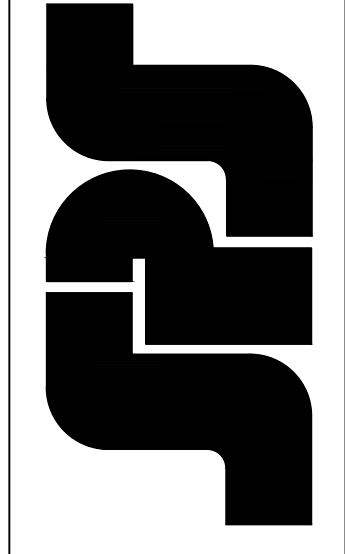
REVISIONS	BY
△	5/19/21 CW
△	6/8/21 CW
△	6/15/21 CW
△	8/6/21 CW
△	8/26/21 CW
△	9/16/21 CW



VCU MONROE PARK CAMPUS STEM FACILITY
 RICHMOND, VIRGINIA
 ARCHITECT: BALLINGER
 CUSTOMER: SPS CORPORATION

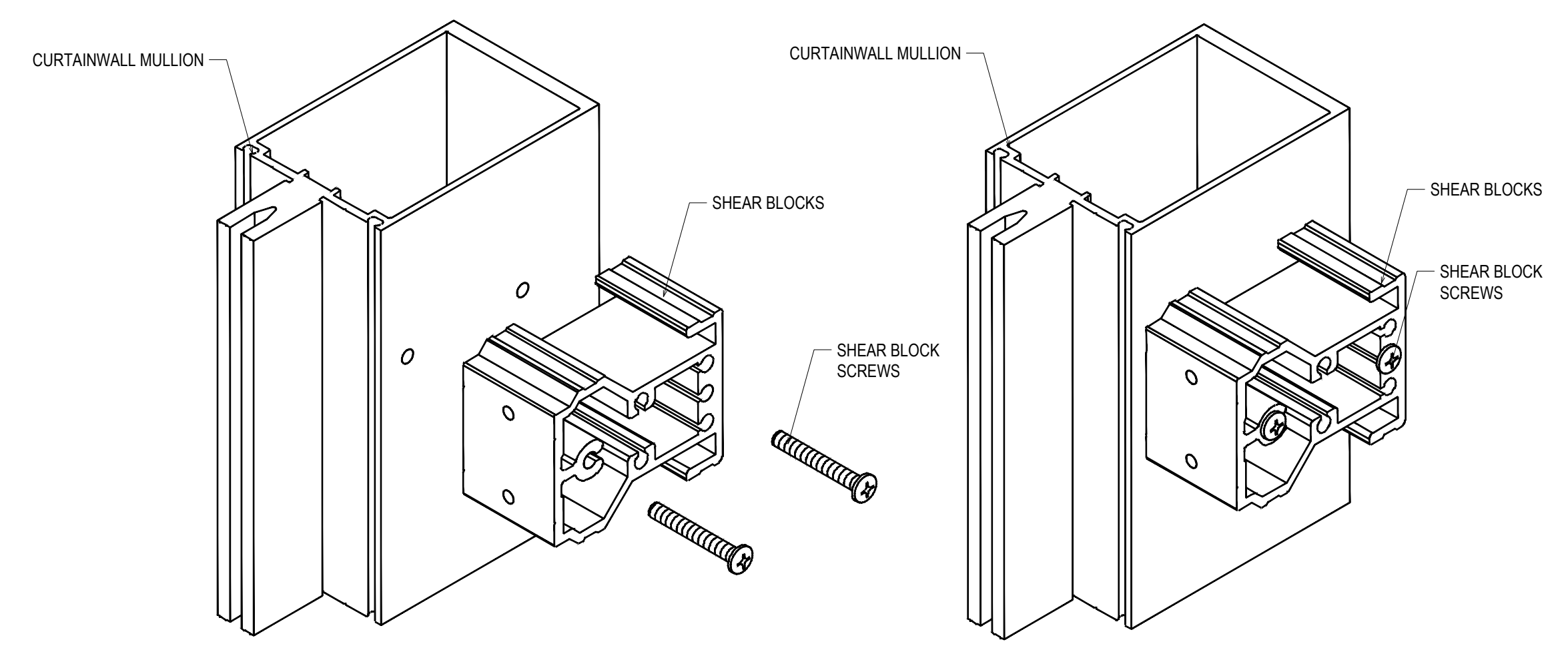


SPS Corporation
 Fort Wayne, Indiana Raleigh, North Carolina
 Indianapolis, Indiana Charlotte, North Carolina

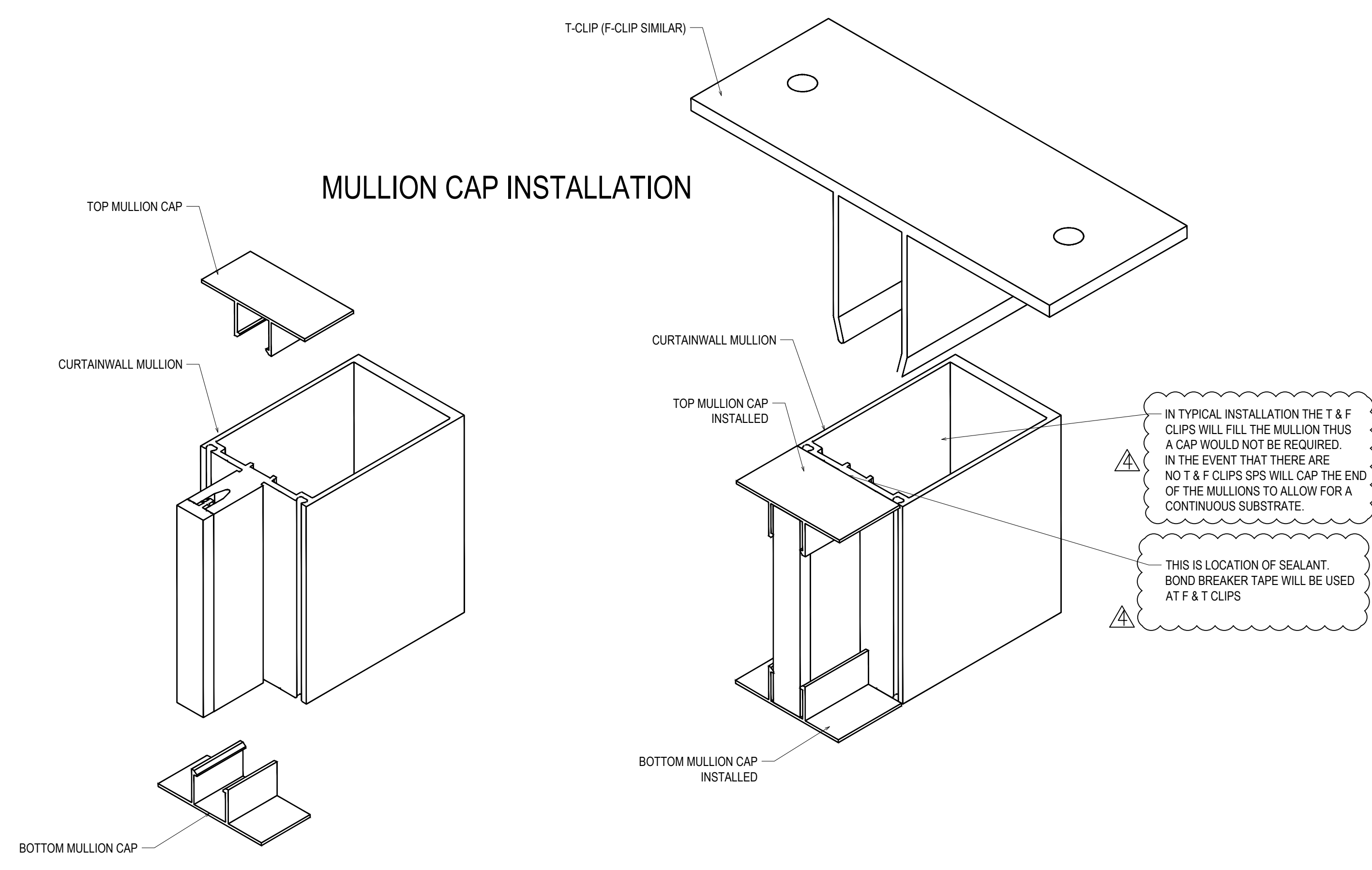


Drawn By: DJ
 Date Drawn: 2/4/21
 Checked By: LW
 Date Checked: 2/4/21
 Scale: 6" = 1'-0"
 File No.: xxxx-xx
 Job Name: VCU STERN
 SHEET

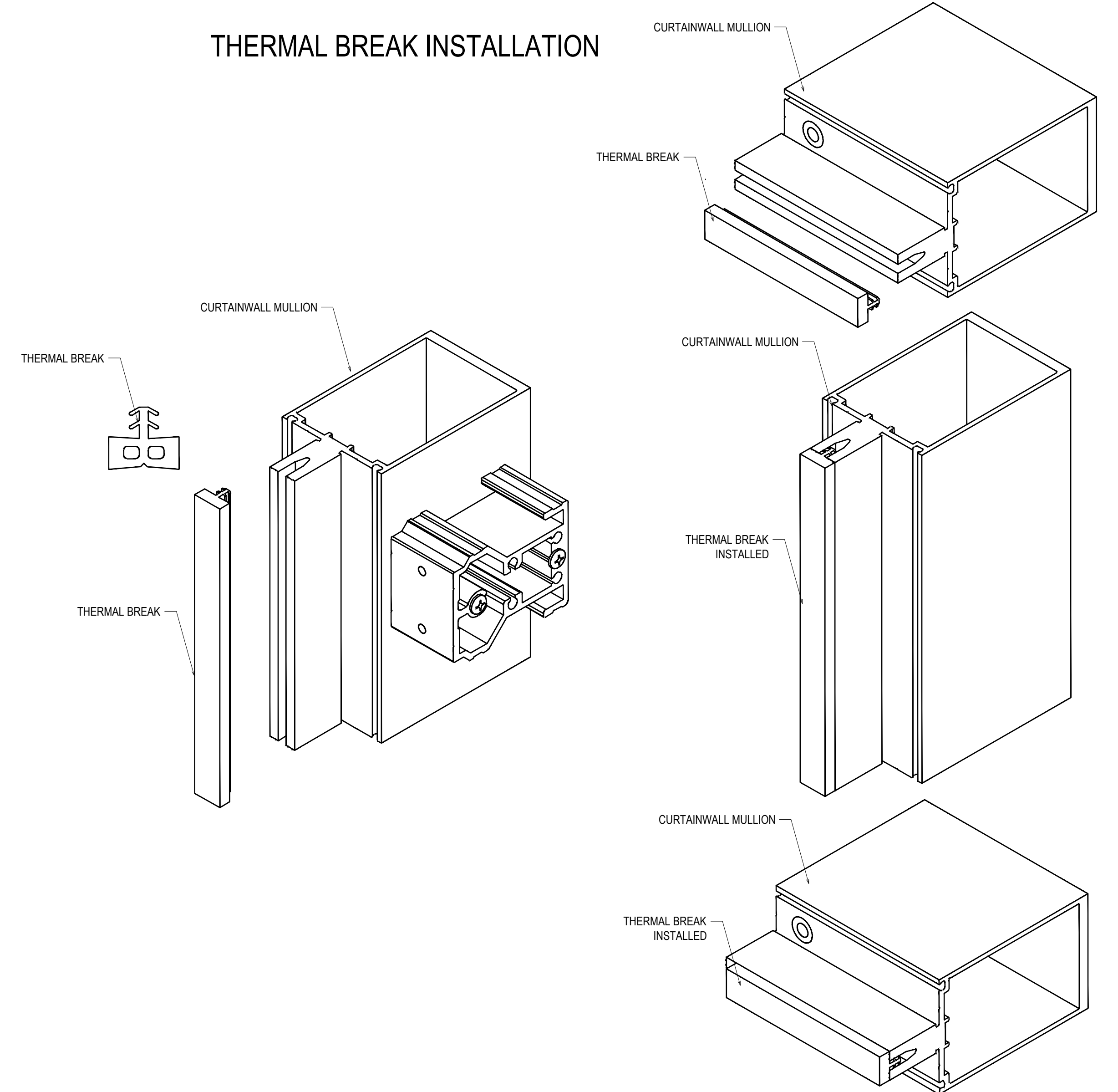
SHEAR BLOCK INSTALLATION



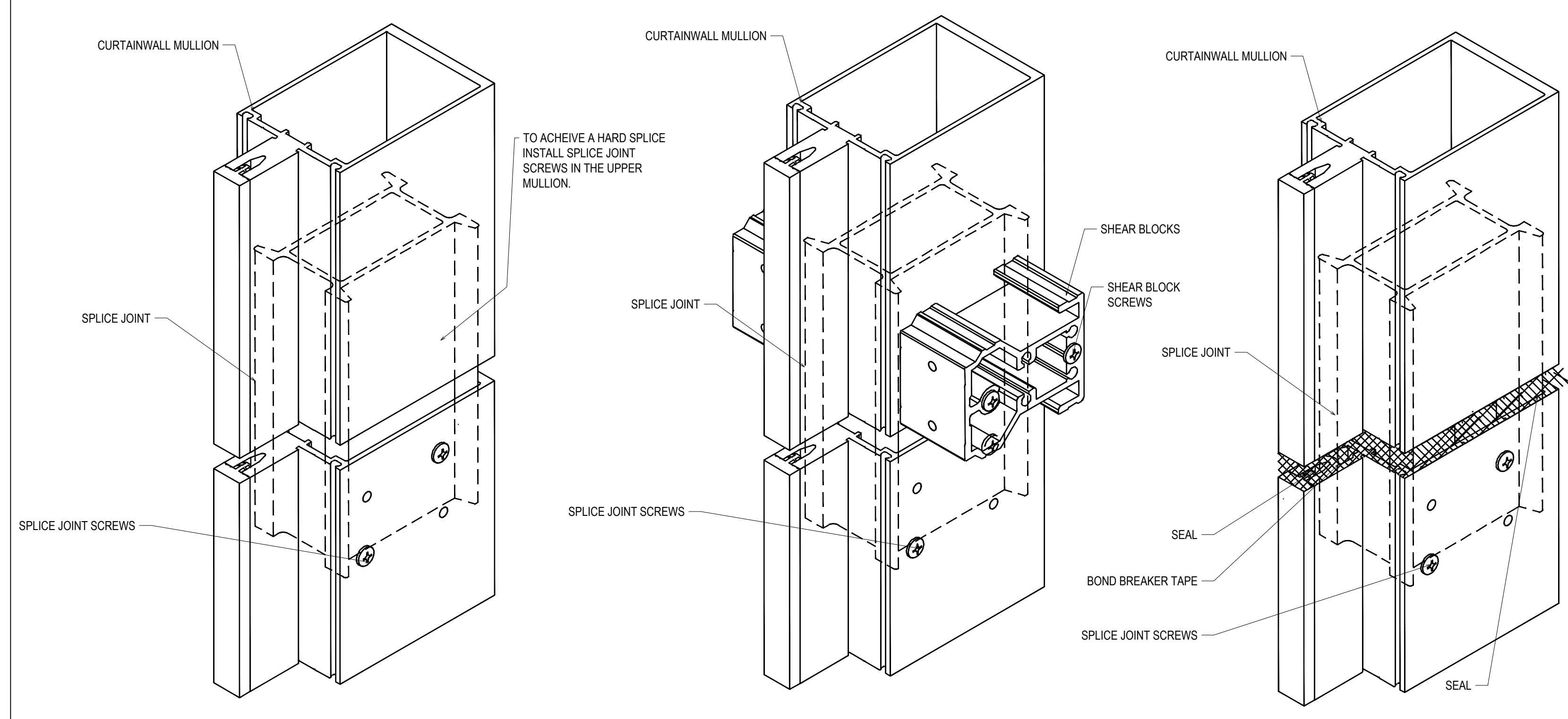
MULLION CAP INSTALLATION



THERMAL BREAK INSTALLATION



SPLICE JOINT INSTALLATION



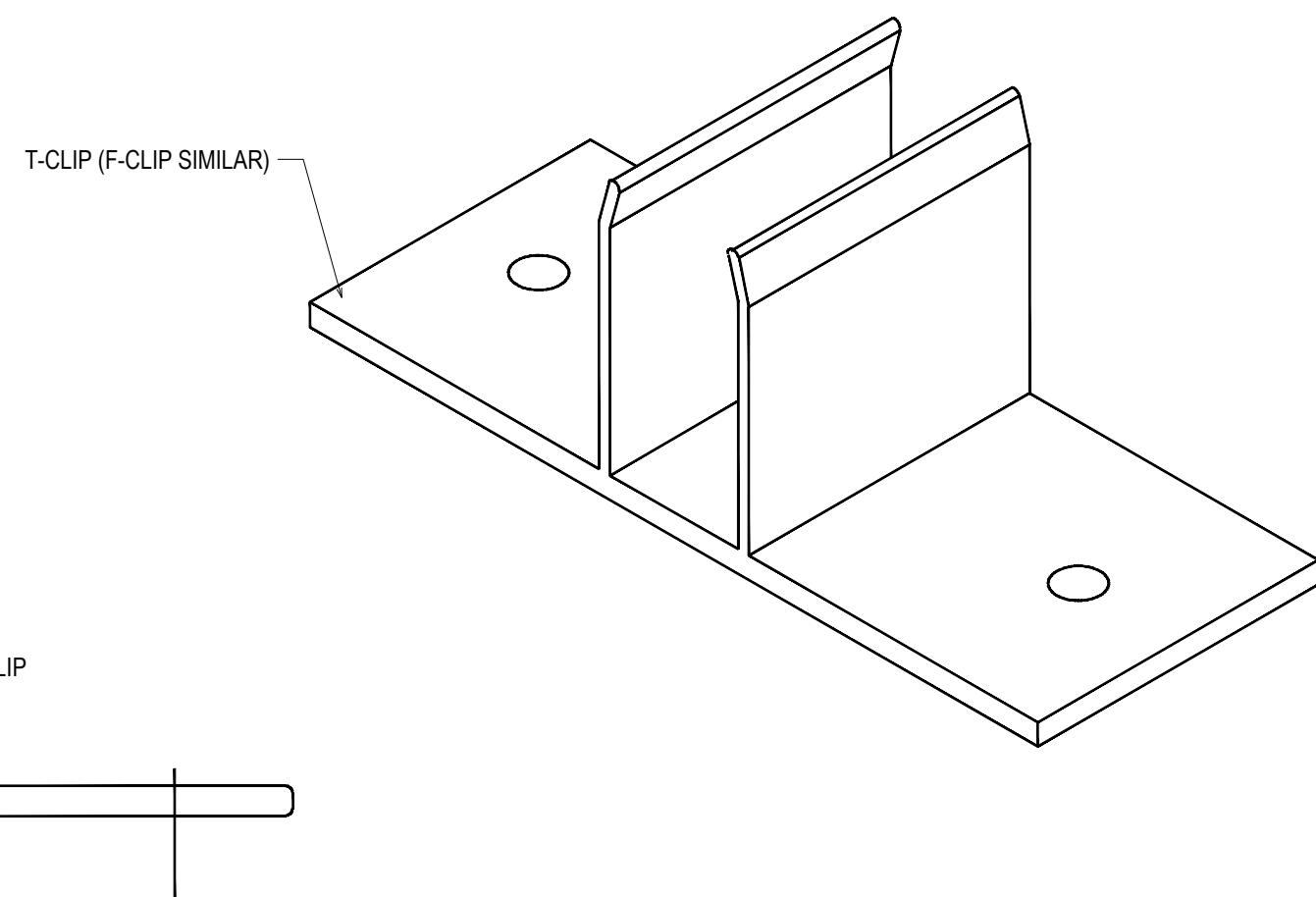
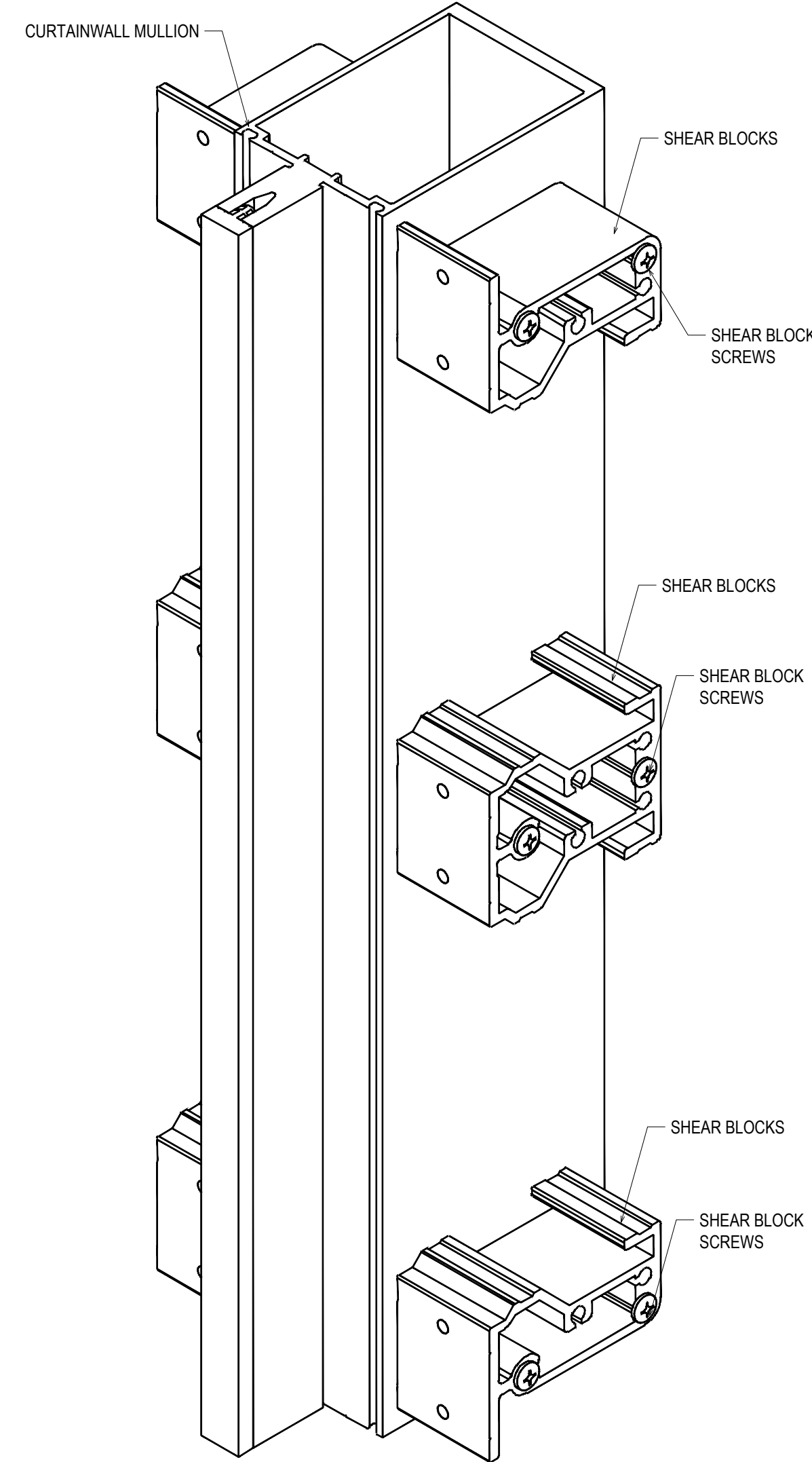
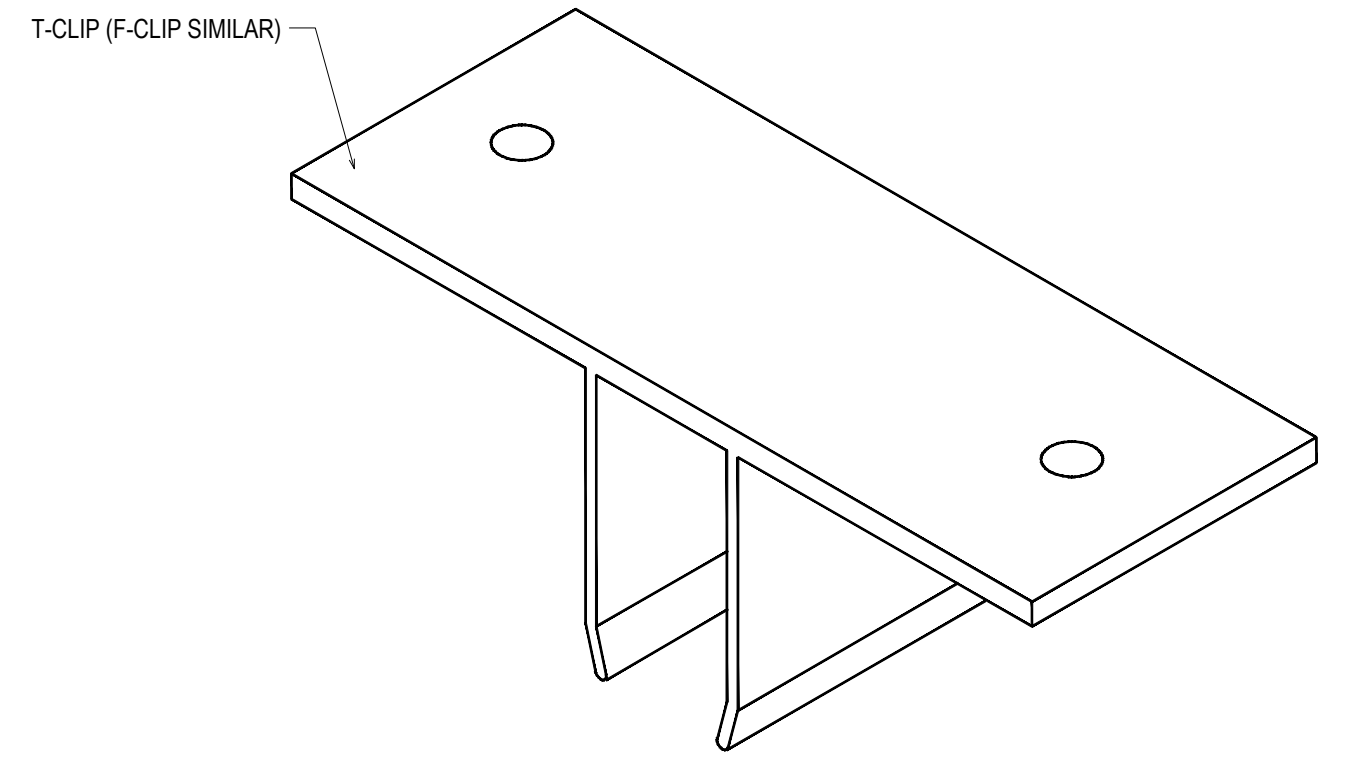
REVISIONS	BY
△ 5/19/21	CW
△ 6/8/21	CW
△ 6/15/21	CW
△ 8/6/21	CW
△ 8/26/21	CW
△ 9/16/21	CW

VCU MONROE PARK CAMPUS STEM FACILITY
 RICHMOND, VIRGINIA
 ARCHITECT: BALLINGER
 CUSTOMER: SPS CORPORATION

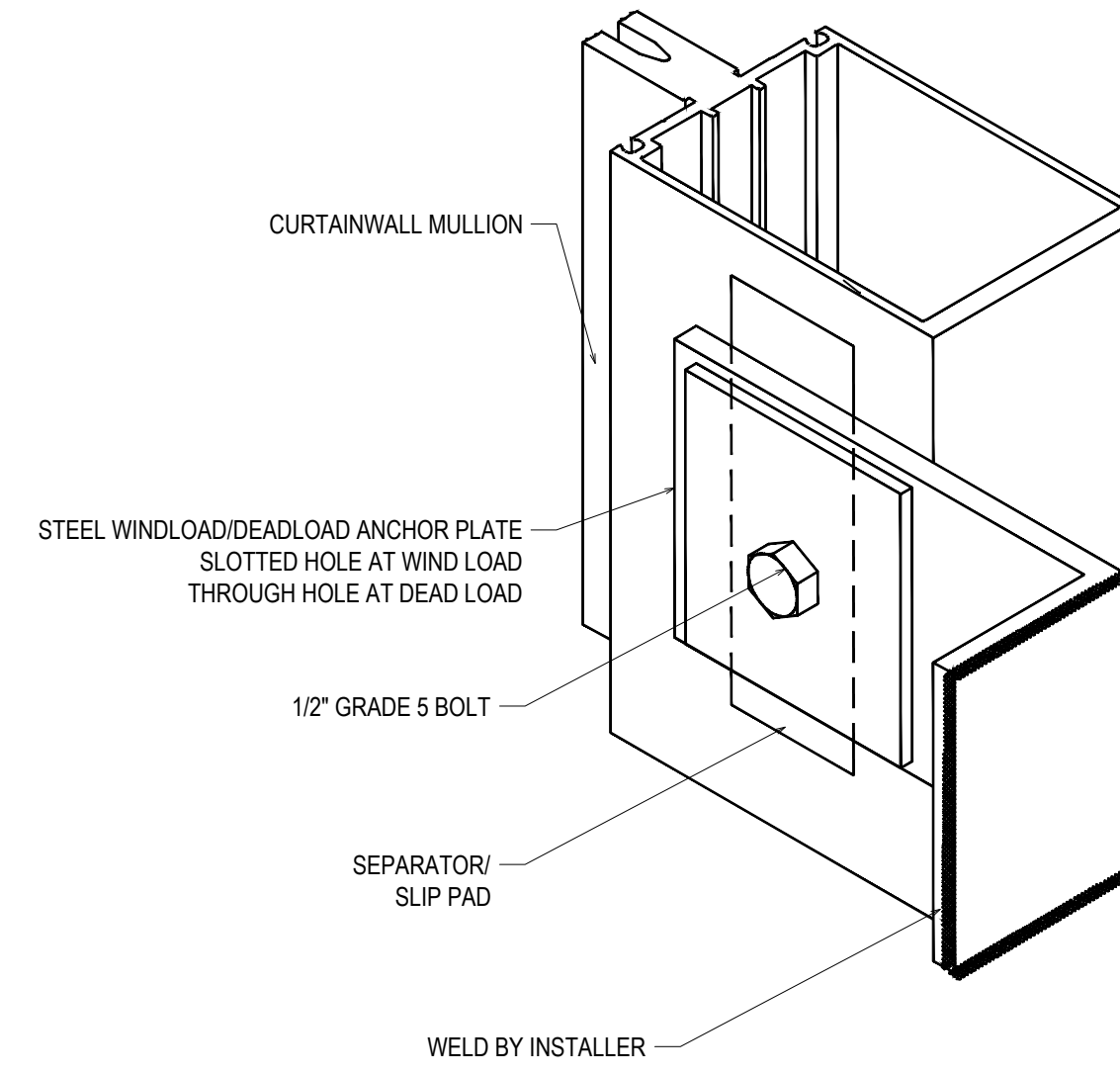
SPS Corporation
 Fort Wayne, Indiana Raleigh, North Carolina
 Indianapolis, Indiana Charlotte, North Carolina

Drawn By DJ
 Date Drawn 2/4/21
 Checked By LW
 Date Checked 2/4/21
 Scale 6" = 1'-0"
 File No. xxxx-xx
 Job Name VCU STERN
 SHEET

FRAME INSTALLATION (HEAD AND SILL)



FRAME INSTALLATION (MID ANCHOR)



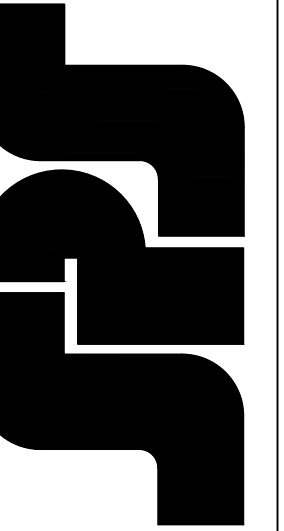
REVISIONS	BY
△ 5/19/21	CW
△ 6/8/21	CW
△ 6/15/21	CW
△ 8/6/21	CW
△ 8/26/21	CW
△ 9/16/21	CW

VCU MONROE PARK CAMPUS STEM FACILITY

RICHMOND, VIRGINIA

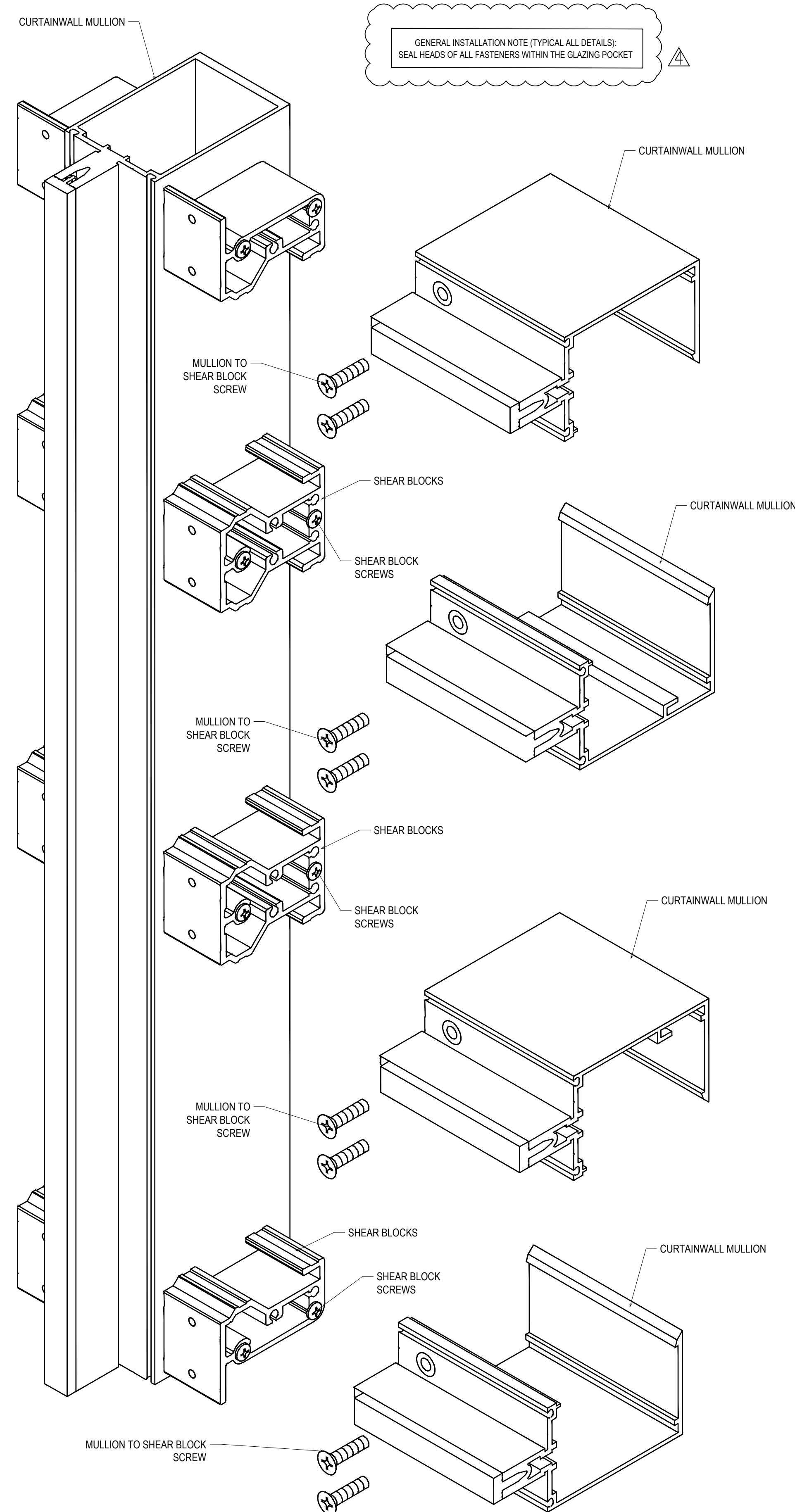
ARCHITECT: BALLINGER
CUSTOMER: SPS CORPORATION

SPS Corporation
Fort Wayne, Indiana Raleigh, North Carolina
Indianapolis, Indiana Charlotte, North Carolina

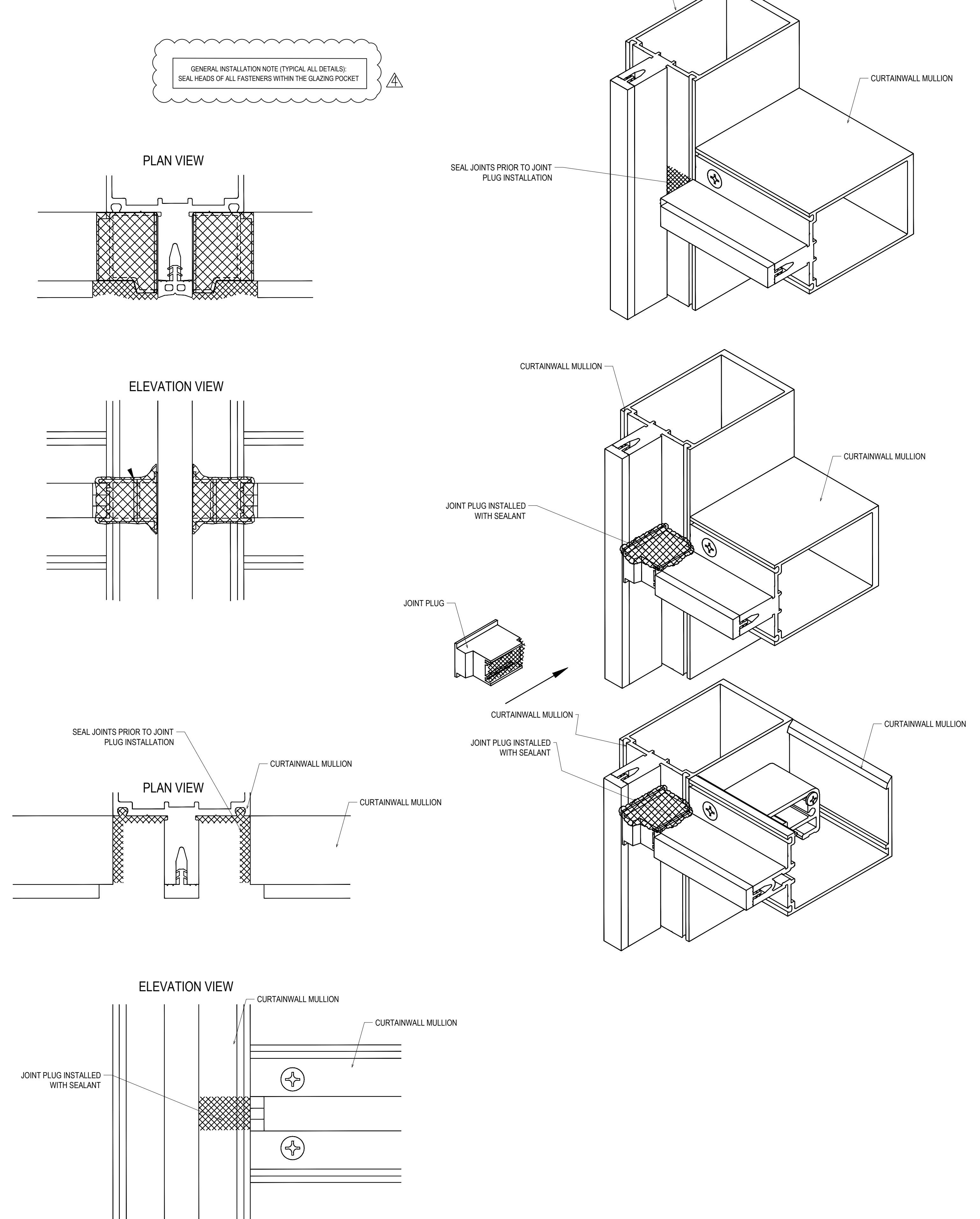


Drawn By	DJ
Date Drawn	2/4/21
Checked By	LW
Date Checked	2/4/21
Scale	6" = 1'-0"
File No.	xxxx-xx
Job Name	VCU STERN
SHEET	

HORIZONTAL INSTALLATION



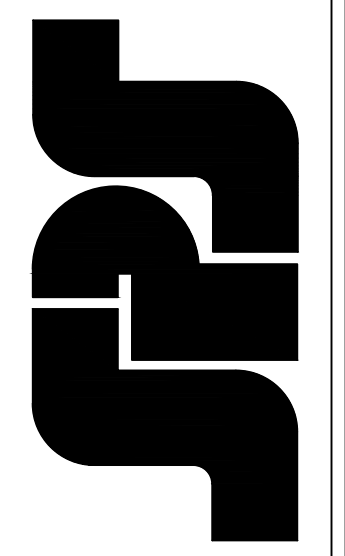
JOINT PLUG INSTALLATION



REVISIONS	BY
△ 5/19/21	CW
△ 6/8/21	CW
△ 6/15/21	CW
△ 8/6/21	CW
△ 8/26/21	CW
△ 9/16/21	CW

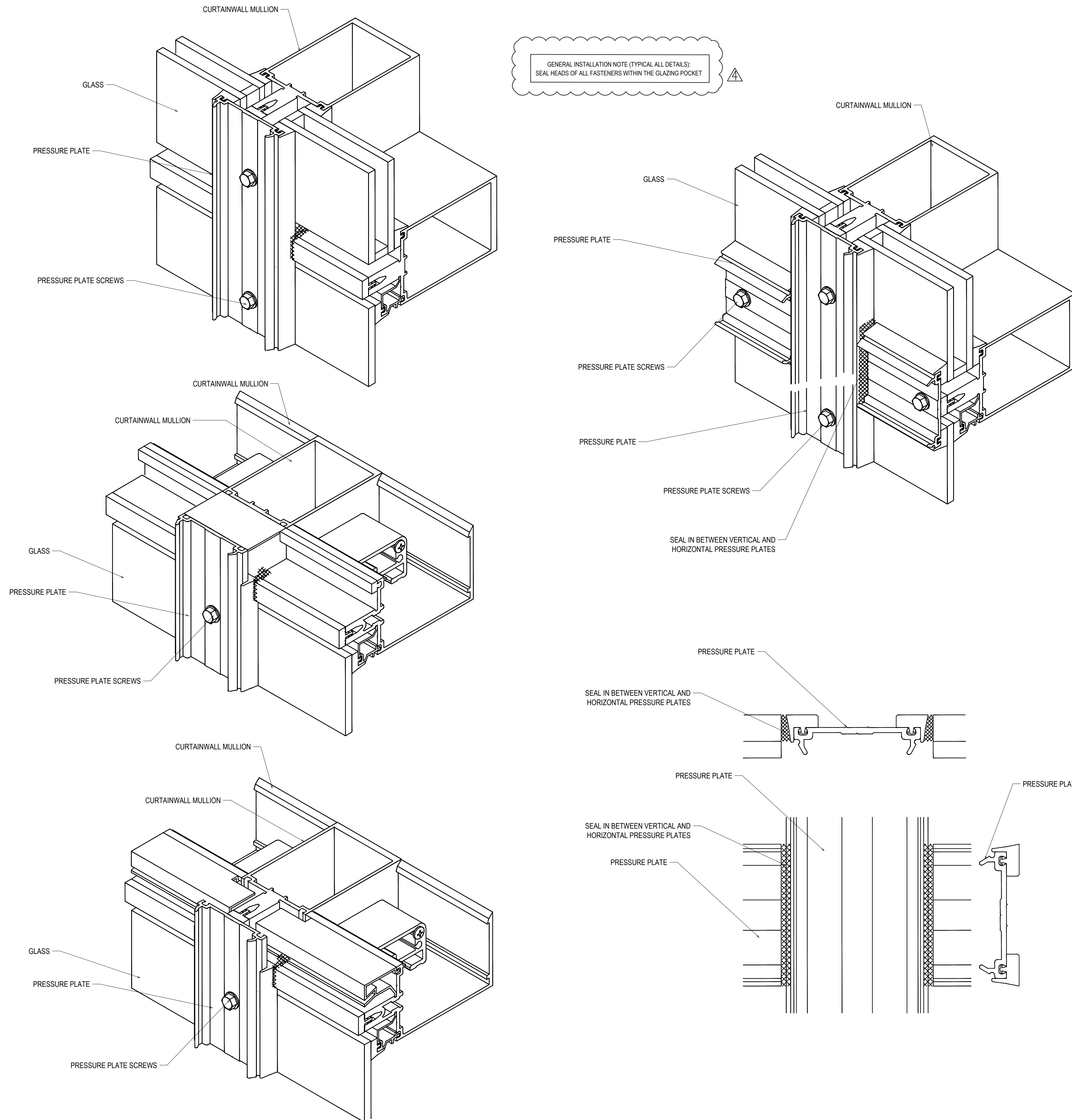
VCU MONROE PARK CAMPUS STEM FACILITY
 RICHMOND, VIRGINIA
 ARCHITECT: BALLINGER
 CUSTOMER: SPS CORPORATION

SPS Corporation
 Fort Wayne, Indiana Raleigh, North Carolina
 Indianapolis, Indiana Charlotte, North Carolina

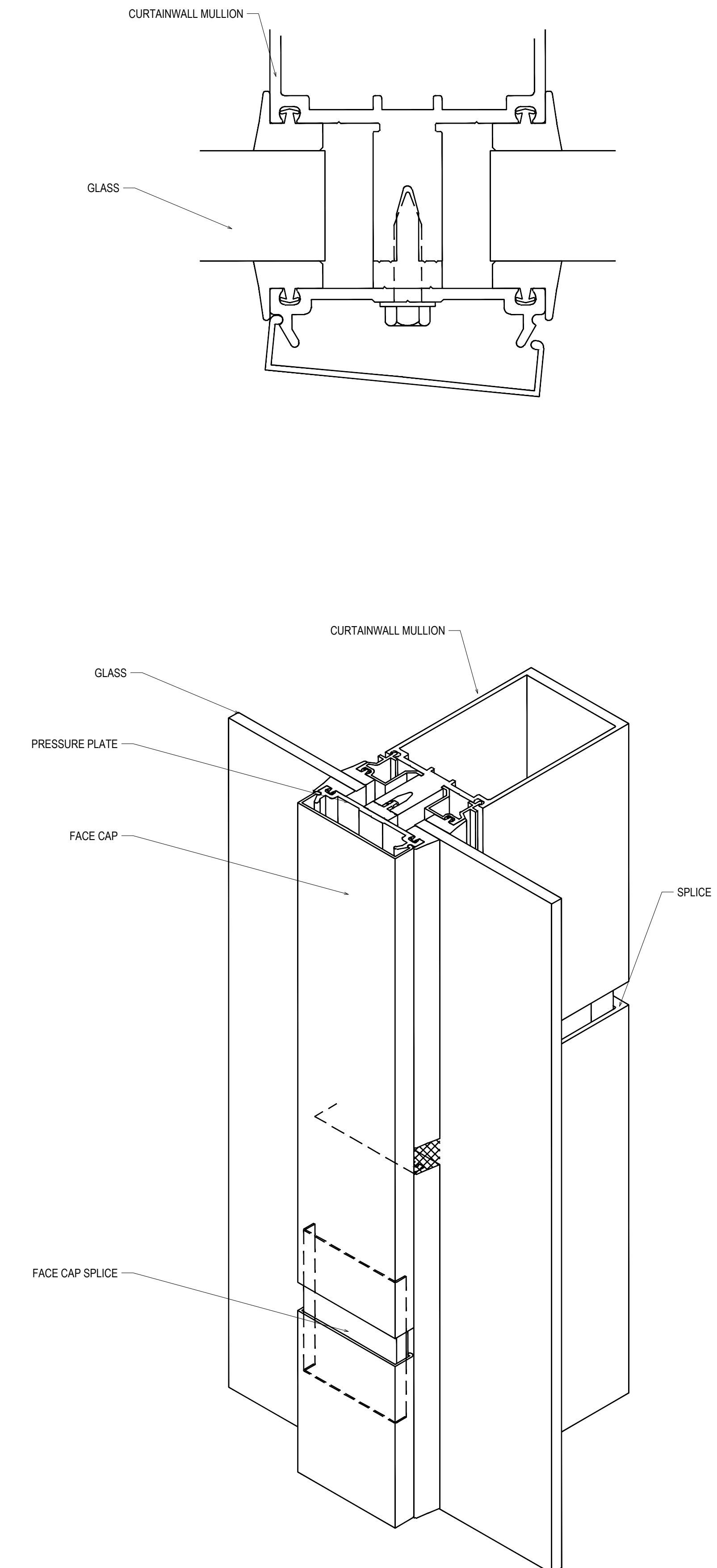


Drawn By: DJ
 Date Drawn: 2/4/21
 Checked By: LW
 Date Checked: 2/4/21
 Scale: 6" = 1'-0"
 File No.: xxxx-xx
 Job Name: VCU STERN
 SHEET

PRESSURE PLATE INSTALLATION



FACE CAP INSTALLATION



REVISIONS	BY
△ 5/19/21	CW
△ 6/8/21	CW
△ 6/15/21	CW
△ 8/6/21	CW
△ 8/26/21	CW
△ 9/16/21	CW

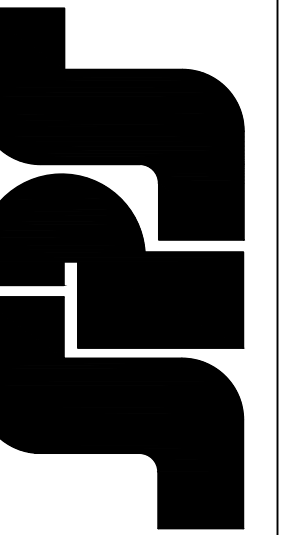
VCU MONROE PARK CAMPUS STEM FACILITY

RICHMOND, VIRGINIA

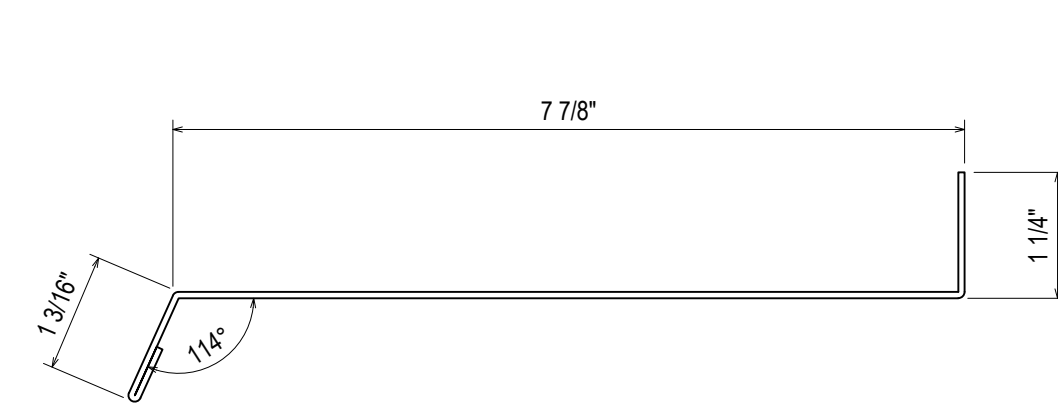
ARCHITECT: BALLINGER
CUSTOMER: SPS CORPORATION

SPS Corporation

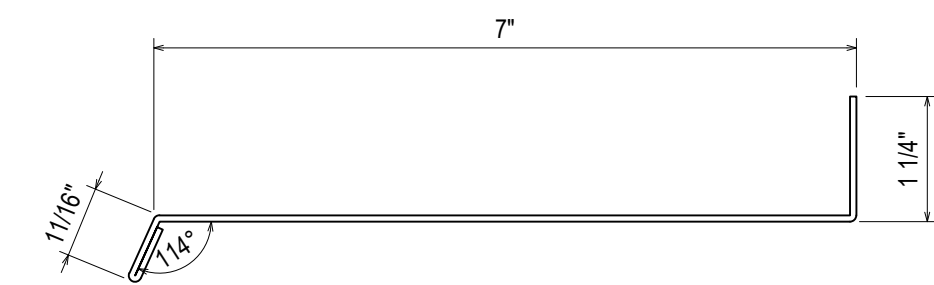
Fort Wayne, Indiana Raleigh, North Carolina
Indianapolis, Indiana Charlotte, North Carolina



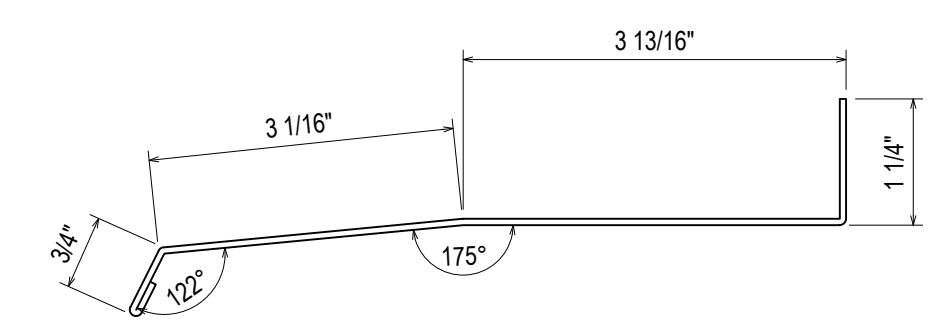
Drawn By	DJ
Date Drawn	2/4/21
Checked By	LW
Date Checked	2/4/21
Scale	6" = 1'-0"
File No.	xxxx-xx
Job Name	VCU STERN
SHEET	



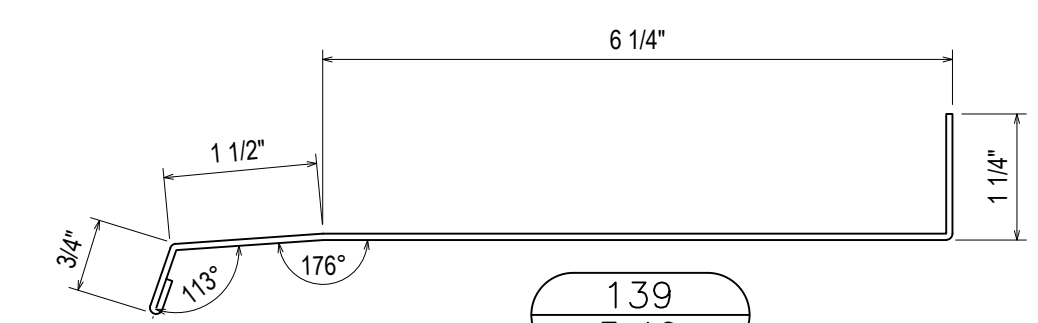
136
3.40
REF: N/A
CW1 - CW1A - CW1B - CW1C
CW1D



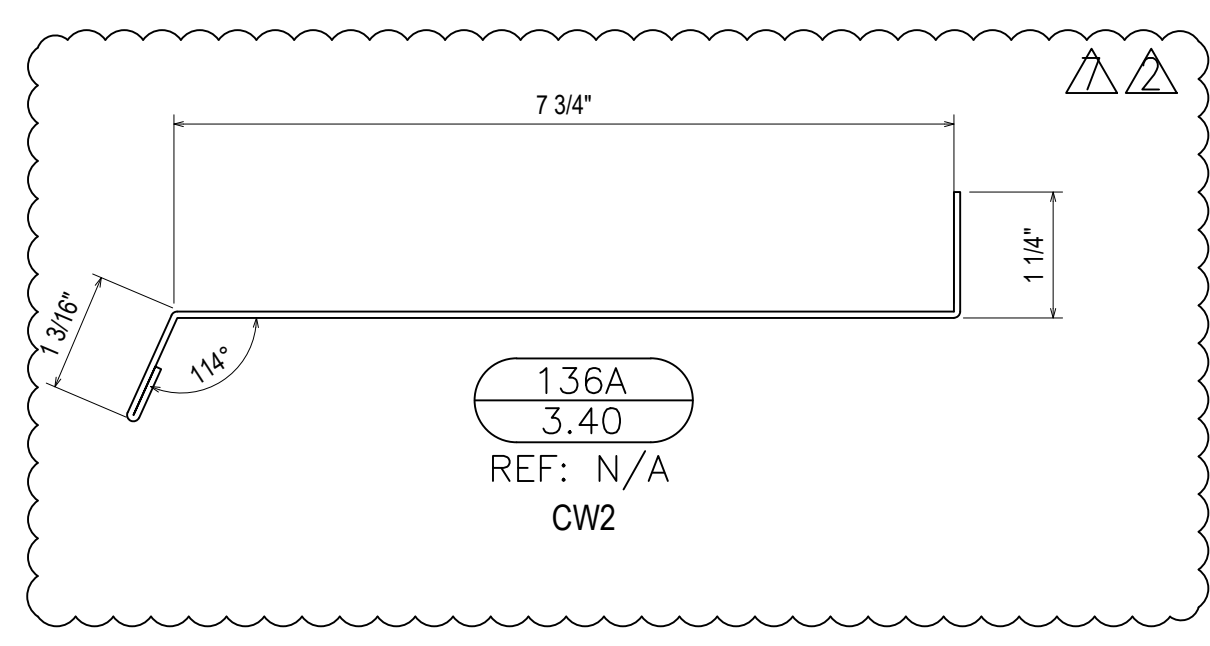
137
3.40
REF: N/A
CW3 - CW3A - CW3B



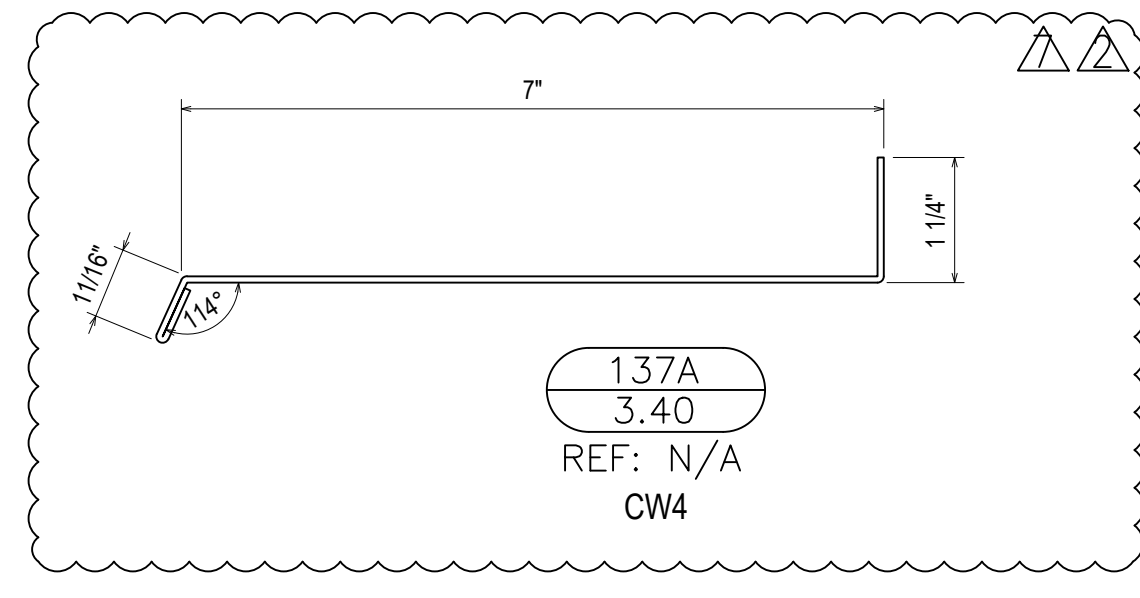
138
3.40
REF: N/A
CW5 - CW7 - CW21 - CW34



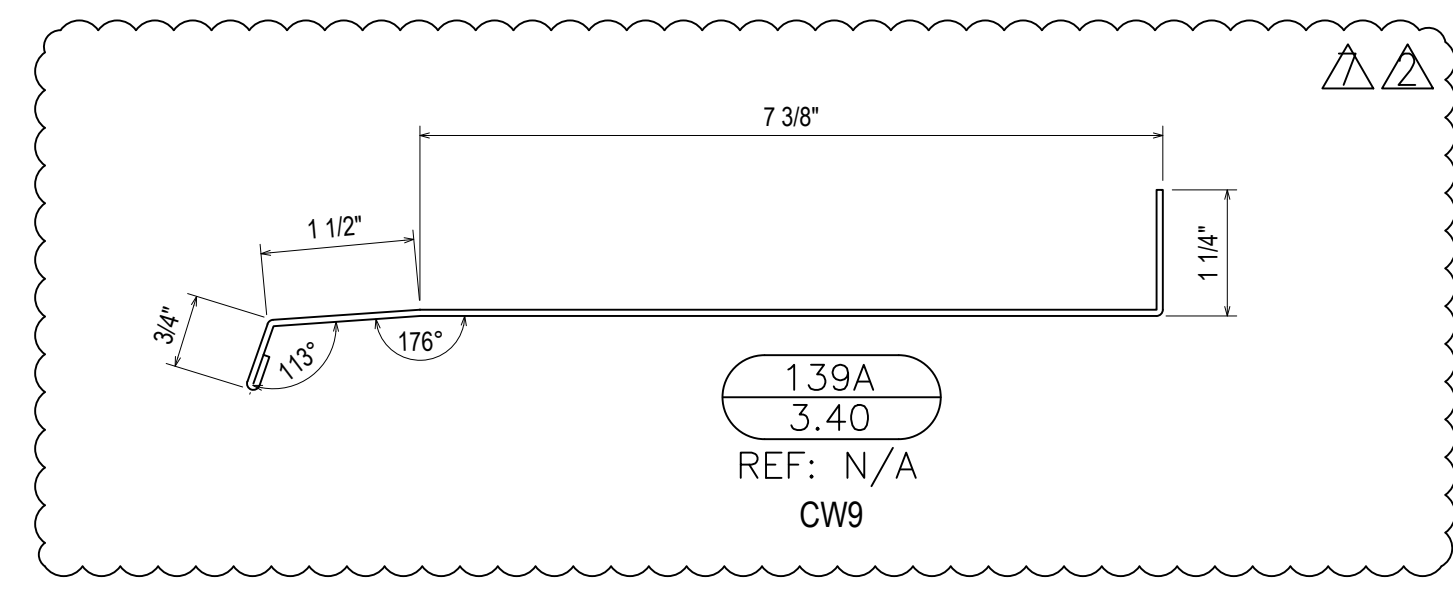
139
3.40
REF: N/A
CW6 - CW8 - CW10 - CW22



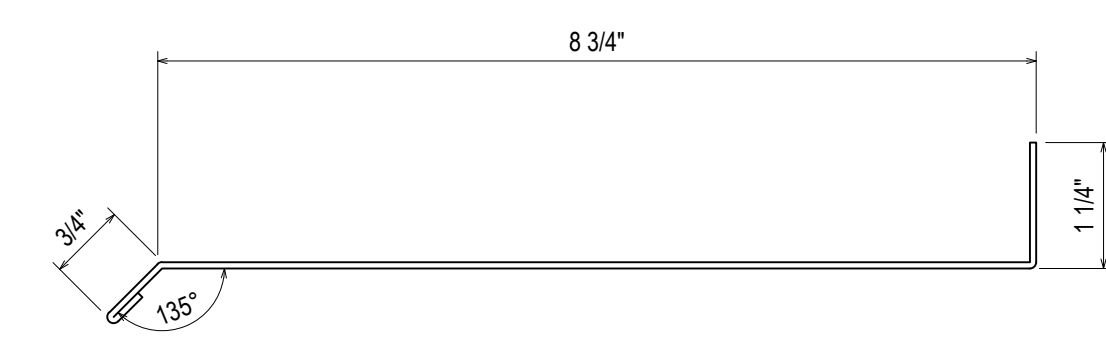
136A
3.40
REF: N/A
CW2



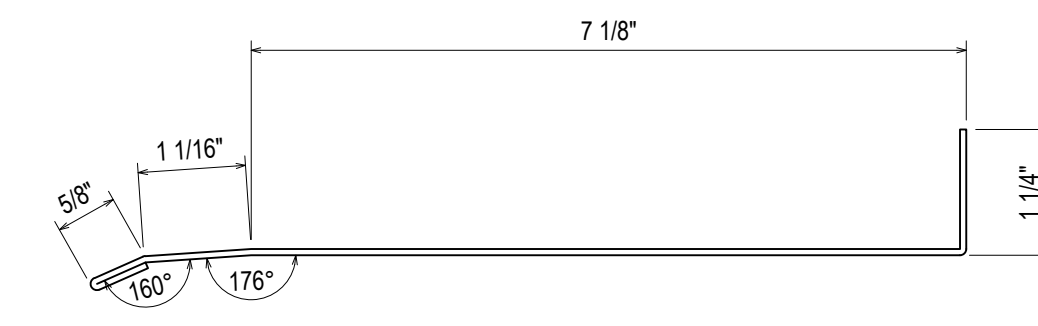
137A
3.40
REF: N/A
CW4



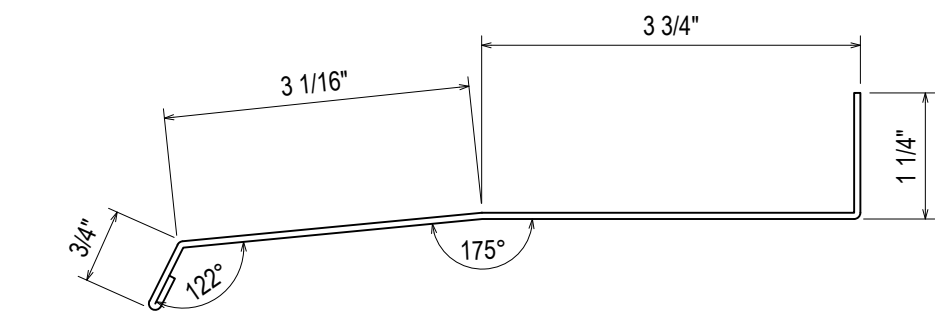
139A
3.40
REF: N/A
CW9



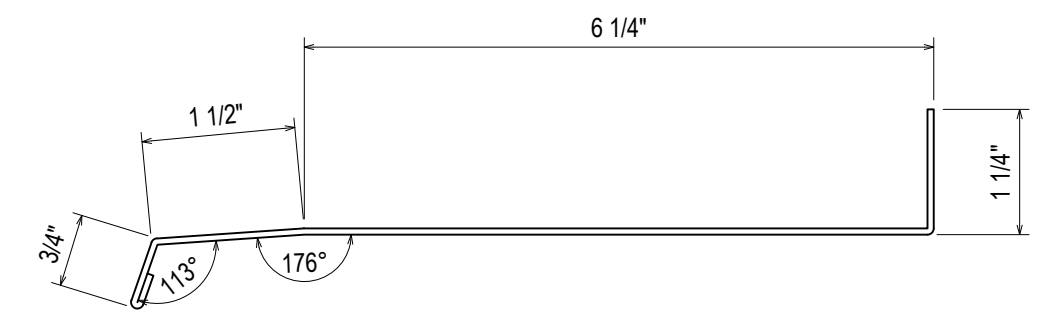
140
3.40
REF: N/A
CW31



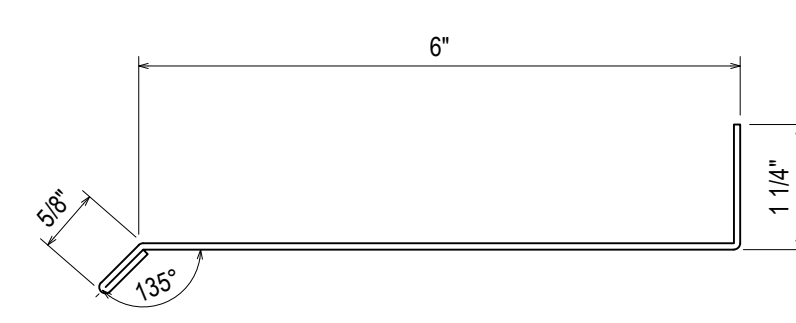
141
3.40
REF: N/A
CW32 - CW33



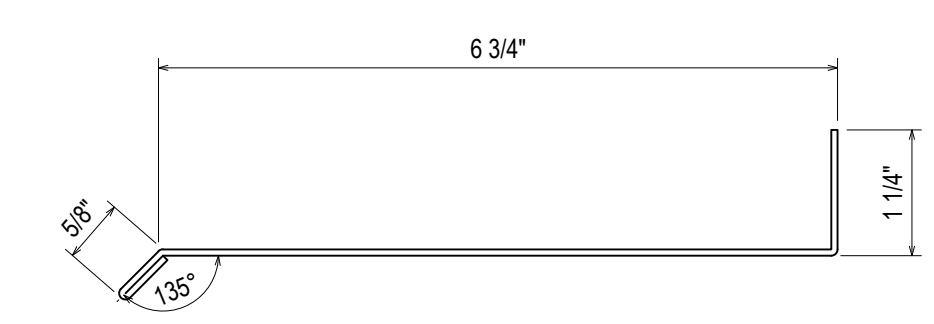
142
3.40
REF: N/A
CW11 - CW11A - CW12



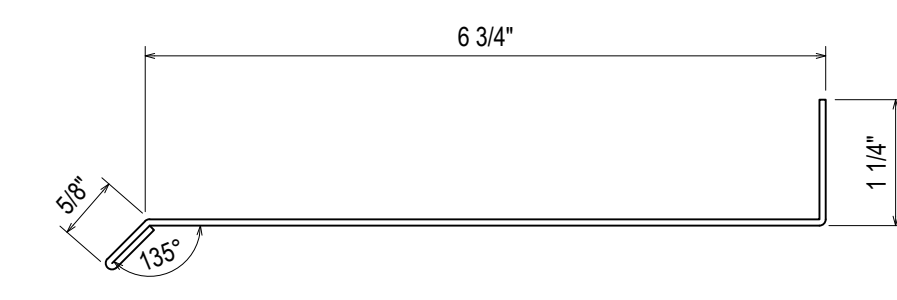
143
3.40
REF: N/A
CW13 - CW14 - CW14A - CW15



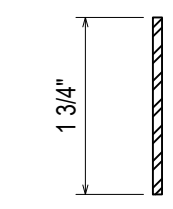
144
3.40
REF: N/A
CW16



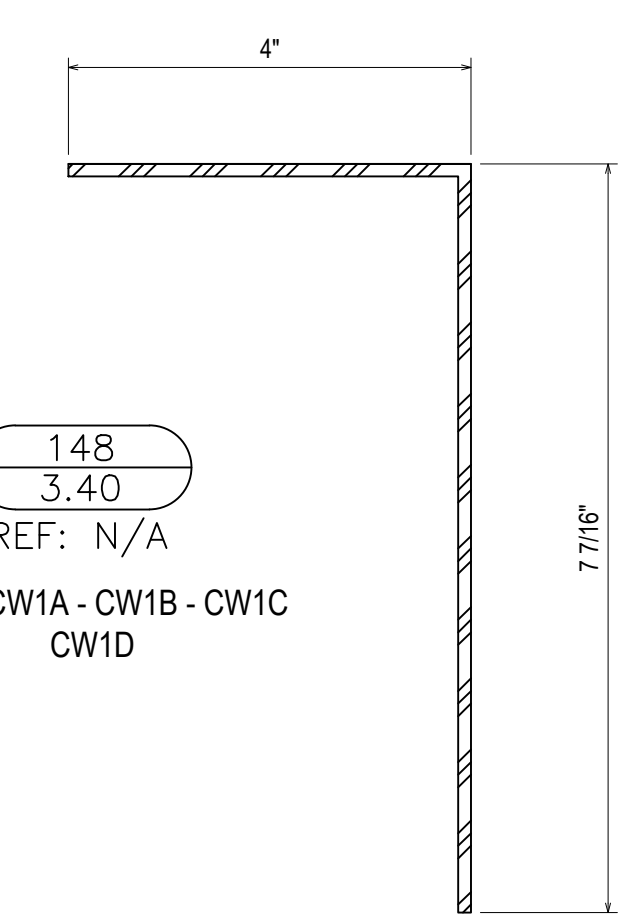
145
3.40
REF: N/A
CW25 - CW26 - CW29 - CW30



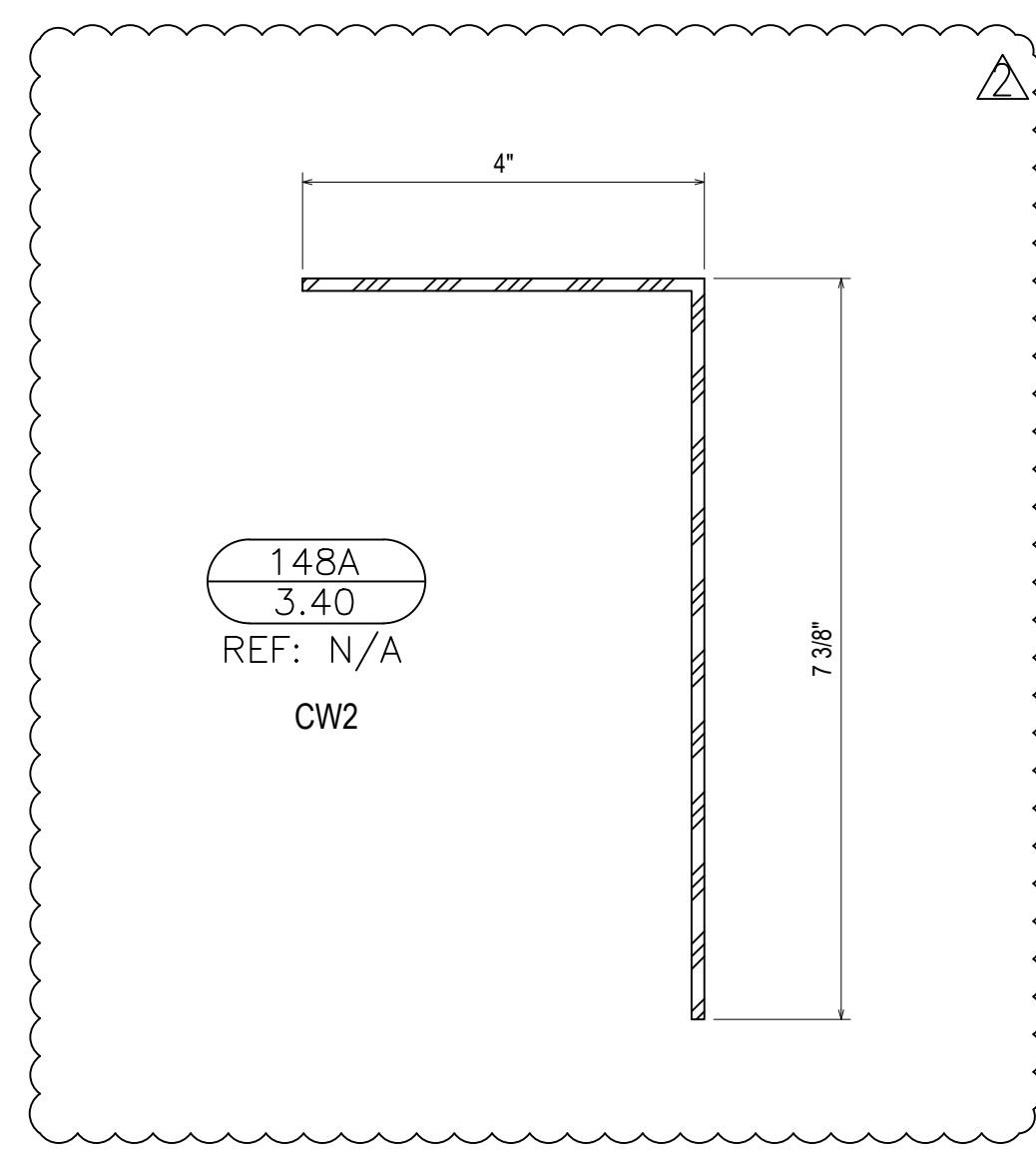
146
3.40
REF: N/A
CW27 - CW27A - CW28 - CW28A



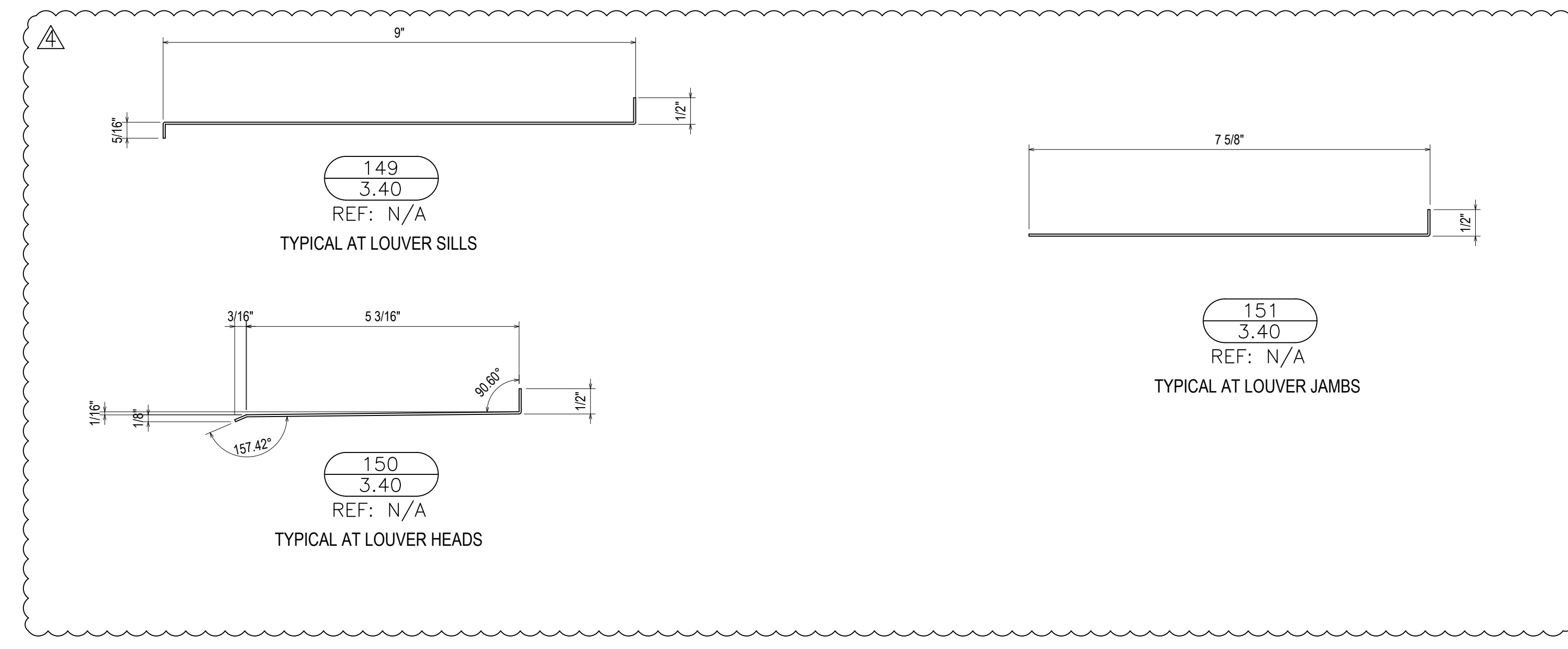
147
3.40
REF: N/A
TYPICAL @ 5"
SIGHTLINE



148
3.40
REF: N/A
CW1 - CW1A - CW1B - CW1C
CW1D



148A
3.40
REF: N/A
CW2



149
3.40
REF: N/A
TYPICAL AT LOUVER SILLS

150
3.40
REF: N/A
TYPICAL AT LOUVER HEADS

151
3.40
REF: N/A
TYPICAL AT LOUVER JAMBS

REVISIONS	BY
△	5/19/21 CW
△	6/8/21 CW
△	6/15/21 CW
△	8/6/21 CW
△	8/26/21 CW
△	9/16/21 CW

VCU MONROE PARK CAMPUS STEM FACILITY
RICHMOND, VIRGINIA
ARCHITECT: BALLINGER
CUSTOMER: SPS CORPORATION

SPS Corporation
Fort Wayne, Indiana Raleigh, North Carolina
Indianapolis, Indiana Charlotte, North Carolina

Drawn By DJ
Date Drawn 2/4/21
Checked By LW
Date Checked 2/4/21
Scale 6" = 1'-0"
File No. xxxx-xx
Job Name VCU STERN
SHEET