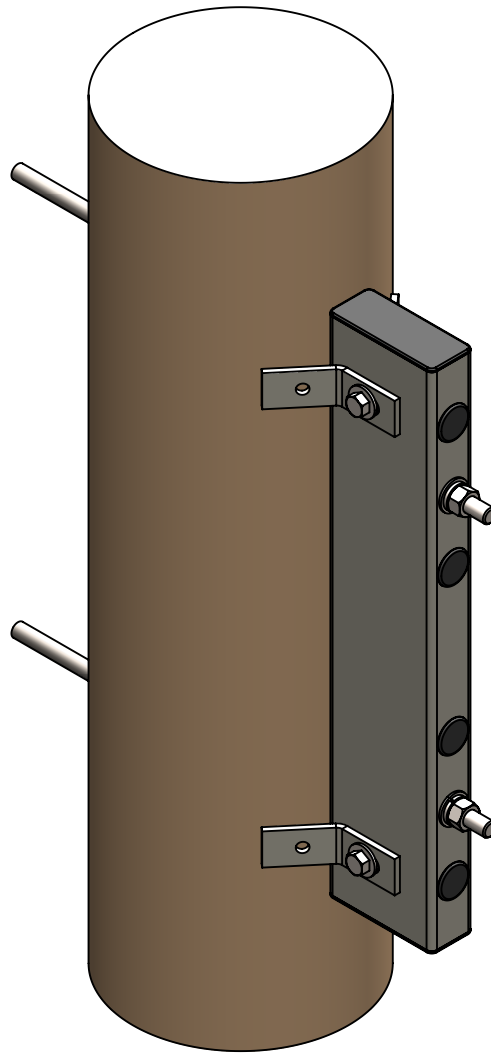




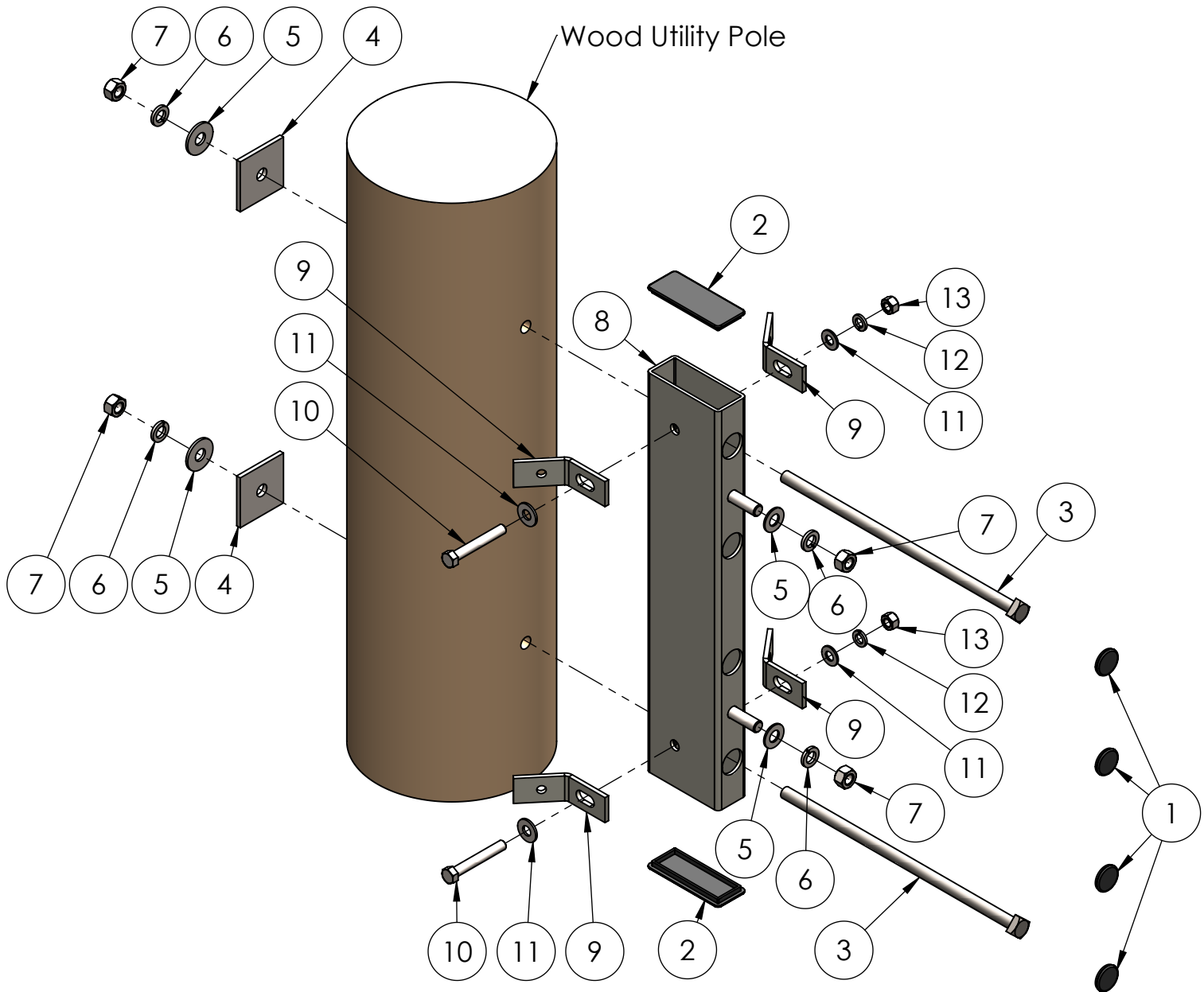
## 60-DBL-EXT-4



Wireless Construction, Inc. 40 | Blake Road, Standish ME 04084  
[www.wcitowers.com](http://www.wcitowers.com)

\*Contact: Kyle Purington at (207) 642-5751 or [kpurington@wcitowers.com](mailto:kpurington@wcitowers.com)

Rev1.0 -113016



Item	Part Number	Description	Qty
1	138 Cap	1-3/8" Plastic Cap	4
2	2x5 Cap	2" x 5" Plastic Cap	2
3	J1A7	5/8"-11 x 16" Bolt	2
4	233	3x3x1/4" Backer Plate	2
5	5/8 Flat	5/8" Galv Flat Washer	4
6	5/8 Lock	5/8" Galv Lock Washer	4
7	5/8 Nut	5/8" Galv Nut	4
8	V220	Main Bracket	1
9	V221	Support Brackets	4
10	1/2" Hex	1/2" x 3-1/2" Galv Hex Bolt	2
11	1/2" Flat	1/2" Galv Flat	4
12	1/2" Lock	1/2" Galv Lock	2
13	1/2" Nut	1/2" Galv Nut	2