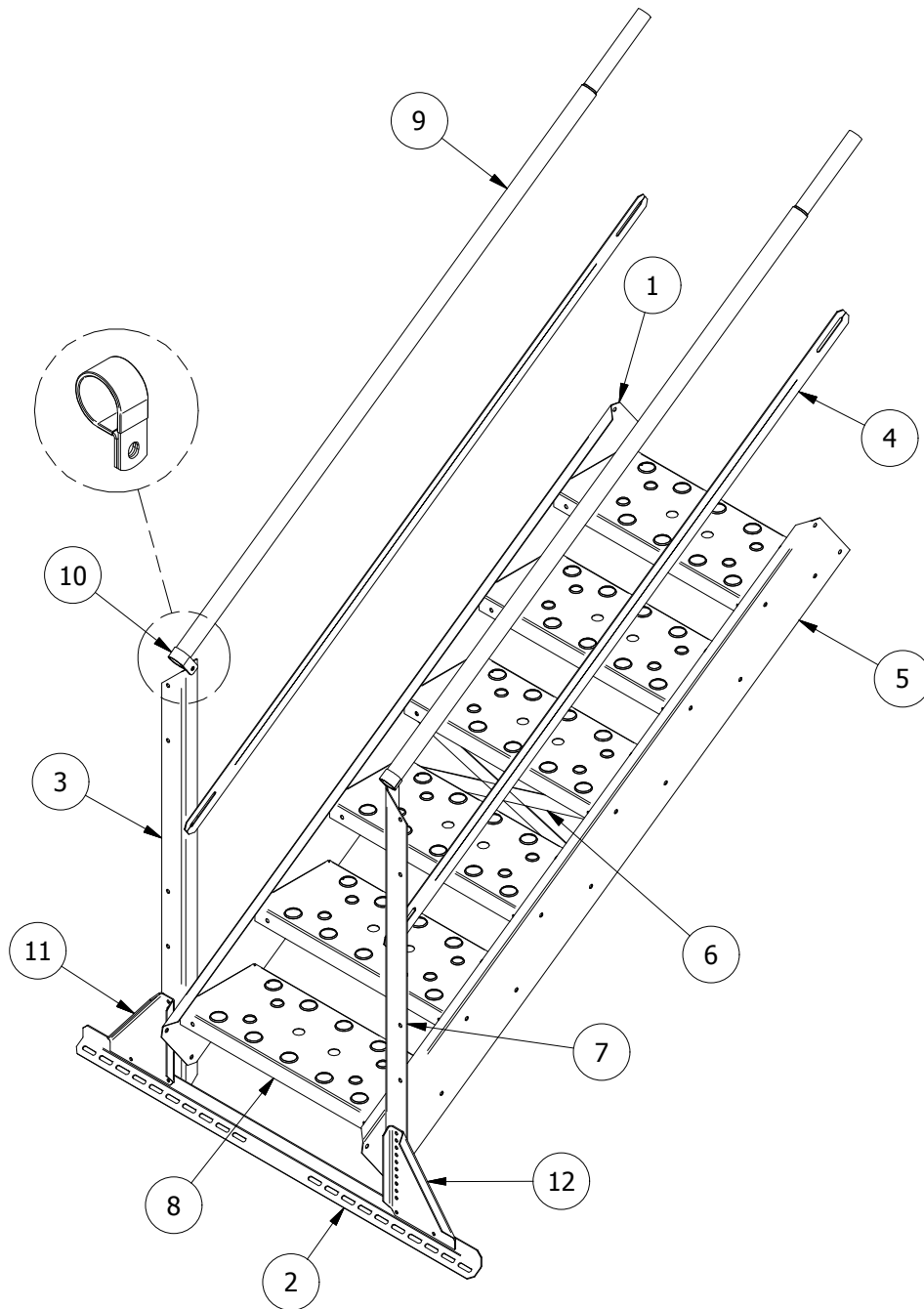
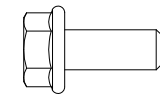


IN-ES50009



PARTS LIST - ES5600

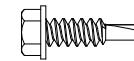
ITEM	QTY	PART NUMBER	DESCRIPTION
1	1	ES-5004	6 Step Easy Step Left Siderail
2	1	ES-5015	Easy Step Roof Stair Mount
3	1	ES-5018	Easy Step Roof Stair Post Left
4	2	ES-5024	6 Step Easy Step Roof Int Handrail
5	1	ES-5003	6 Step Easy Step Right Siderail
6	2	ES-5014	Easy Step Roof Stair Step Tie
7	1	ES-5017	Easy Step Roof Stair Post Right
8	6	ES-0006	Easy Step Stair Step
9	2	TR1506908	69 in 1.5 Swaged Tubing
10	2	HRC1500	Handrail Clamp for 1.5 in
11	1	ES-5011	Post Brace Left
12	1	ES-5012	Post Brace Right



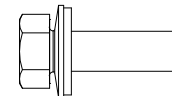
5/16-18 x 3/4  
Flange Bolt



5/16-18 Whiz  
Lock Nut



#12-14 x 3/4  
Screw

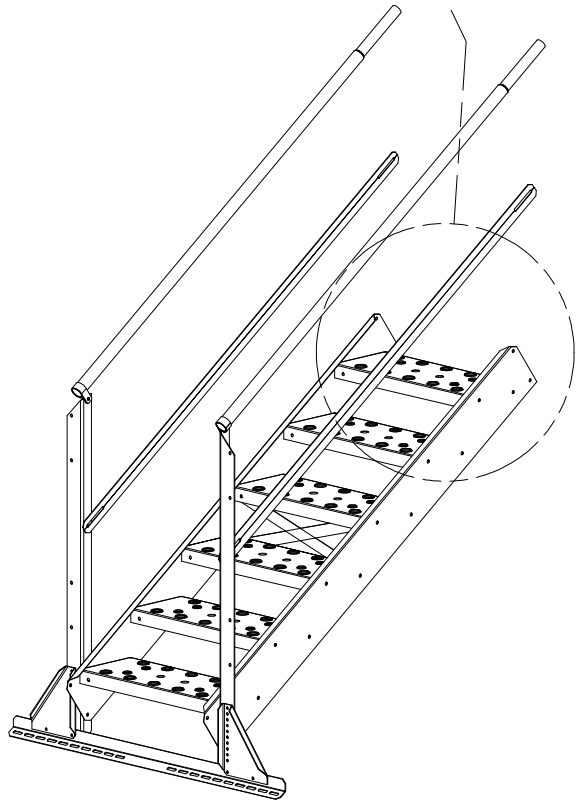
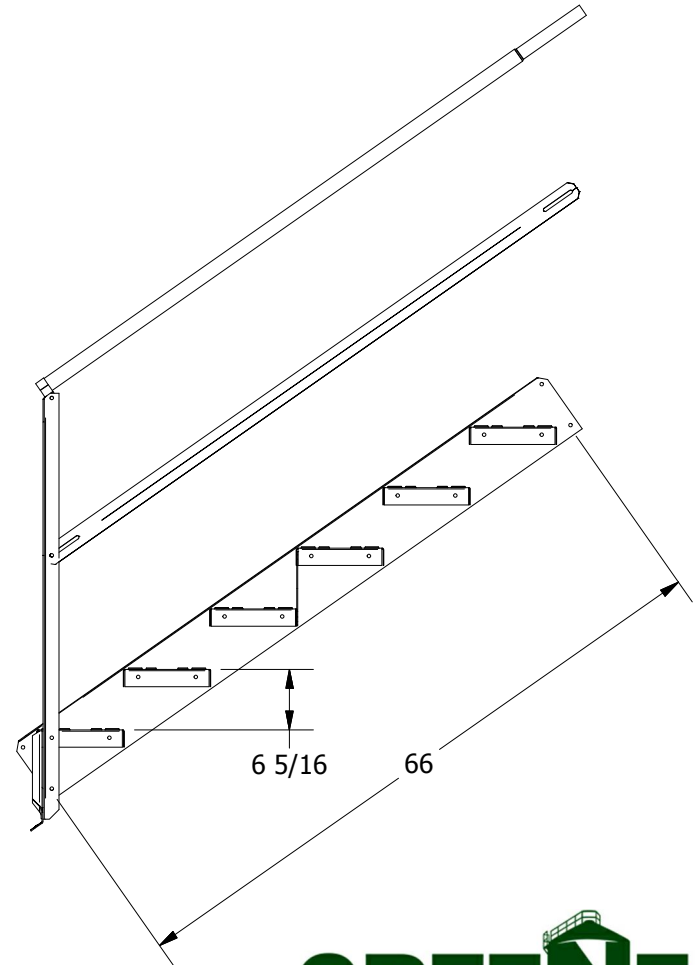
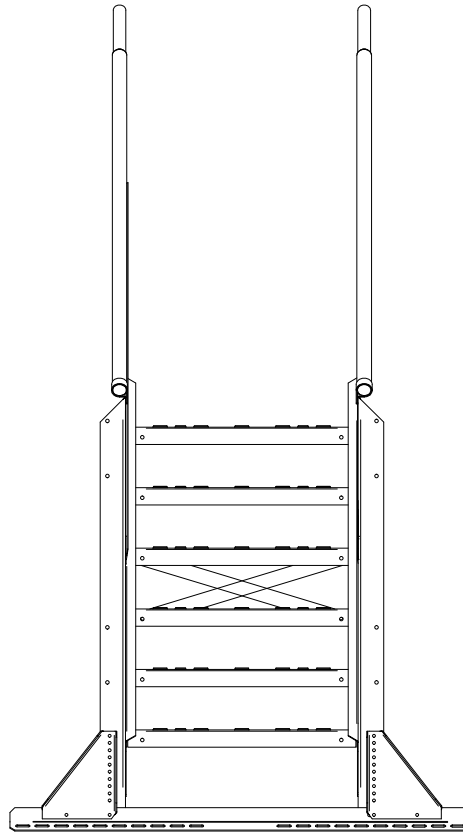
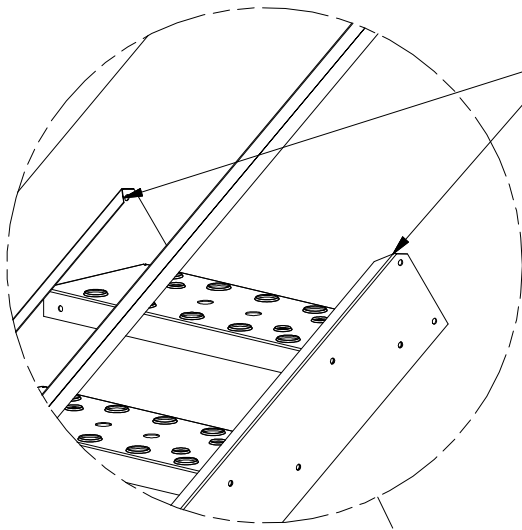


5/16-18 x 1  
Bin Bolt



DRAWN	MJA	10/10/2016	Greene Galvanized Stairs	
CHECKED			TITLE	
QA			6 Step Easy Step Roof Stair	
MFG			SIZE	DWG NO
APPROVED			A	ES5600
			SCALE	REV
				1
			SHEET 1 OF 2	

Note:  
Siderail Flanges Must Be Facing Up



**GREENE**  
GALVANIZED STAIRS

DRAWN	MJA	10/10/2016	Greene Galvanized Stairs	
CHECKED			TITLE	
QA			6 Step Easy Step Roof Stair	
MFG			SIZE	DWG NO
APPROVED			A	ES5600
			SCALE	REV 1
				SHEET 2 OF 2