

CORPORATE OFFICE:  
Mail: PO Box 941245  
Plano, TX 75094-1245  
Shipping: 2603 Technology Drive  
Plano, TX 75074



Phone: (972)312-1707  
(800)346-8435  
Fax: (972)398-9948  
E-Mail: banner@woodmark1.com  
Web Site: www.bannerfaucets.com



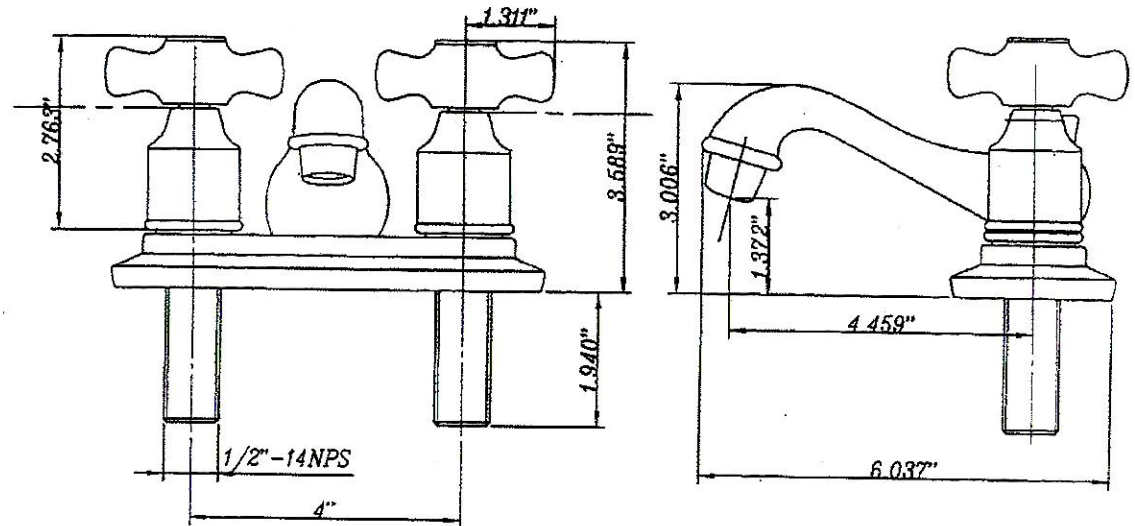
## 350 SERIES

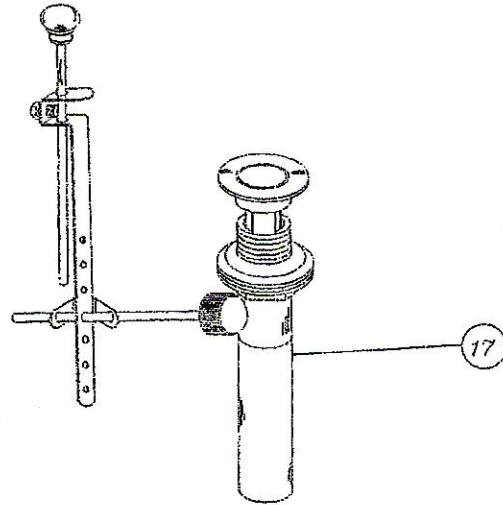
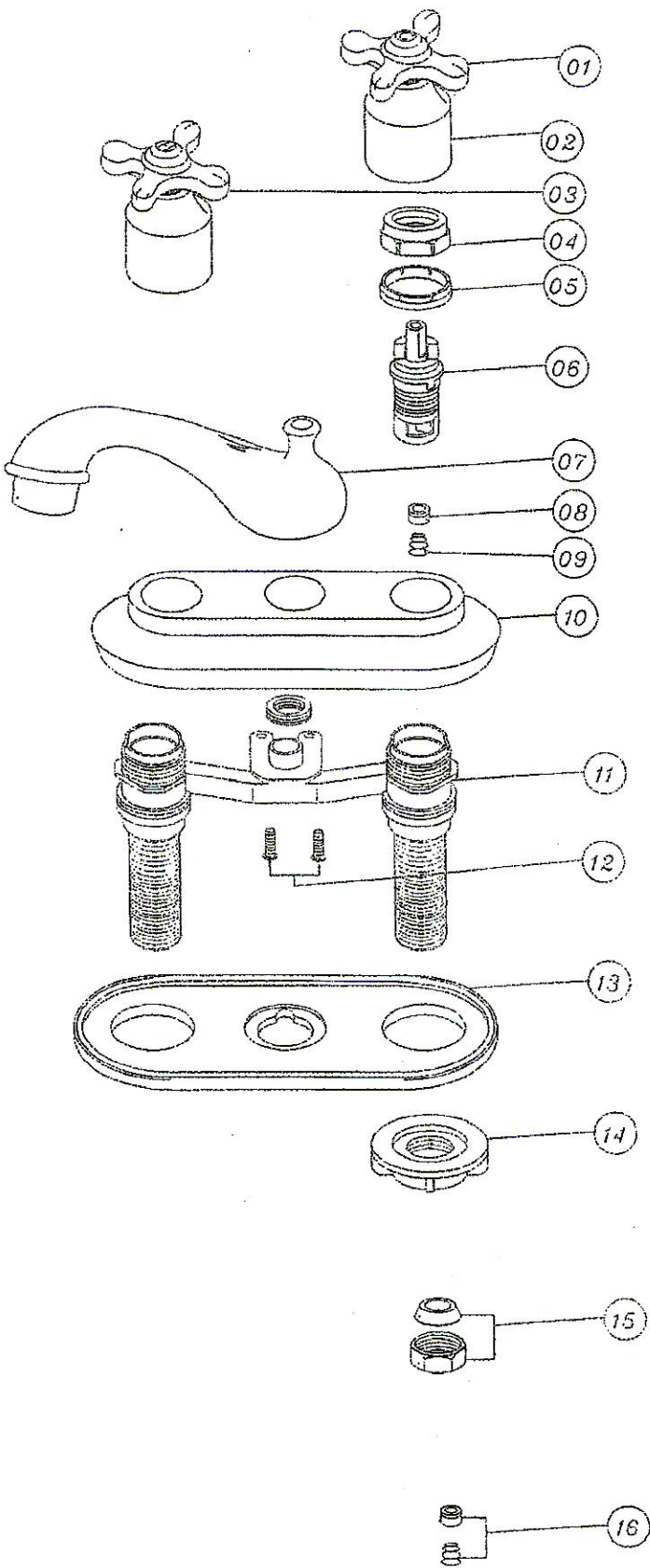
AVAILABLE FINISHES IN:  
CHROME  
PVD LIFETIME BRASS

TWO HANDLE PORCELAIN HANDLE LAVATORY  
WITH OR WITHOUT POP-UP ASSEMBLY

- \* SOLID BRASS CONSTRUCTION
- \* LEVER OR CROSS HANDLES
- \* QUARTERTURN WASHERLESS OPERATION
- \* LIFETIME LIMITED WARRANTY
- \* UPC LISTED

Models: 351-B CHROME  
357-B PVD LIFETIME BRASS  
351-XWB CHROME  
357-XWB PVD LIFETIME BRASS





350-X SERIES		
ITEM	PART DESCRIPTION	QTY
1	Cross Handle-Cold	1
2	Handle Base	2
3	Cross Handle-Hot	1
4	Retaining Nut	2
5	Spacing Washer	2
6	Cartridge	2
7	Spout	1
8	Seat	2
9	Spring	2
10	Escutcheon	1
11	Waterway	1
12	Screws	2
13	Putty Plate	1
14	Mounting Nut	2
15	Supply Nut & Washer	1
16	Seat & Spring	1
17	Pop-Up Assembly	1
18	Support Plate (Discard)	1