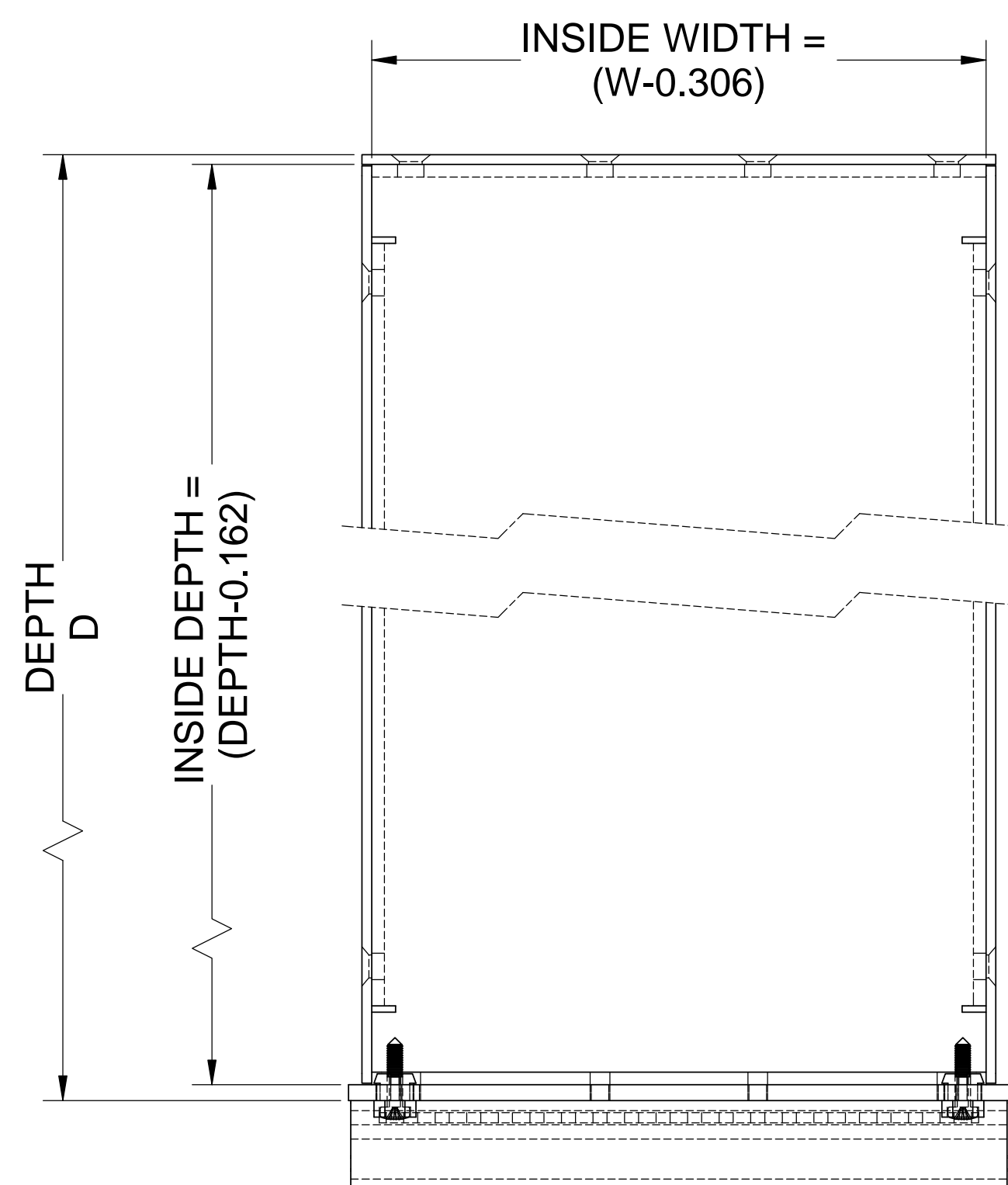
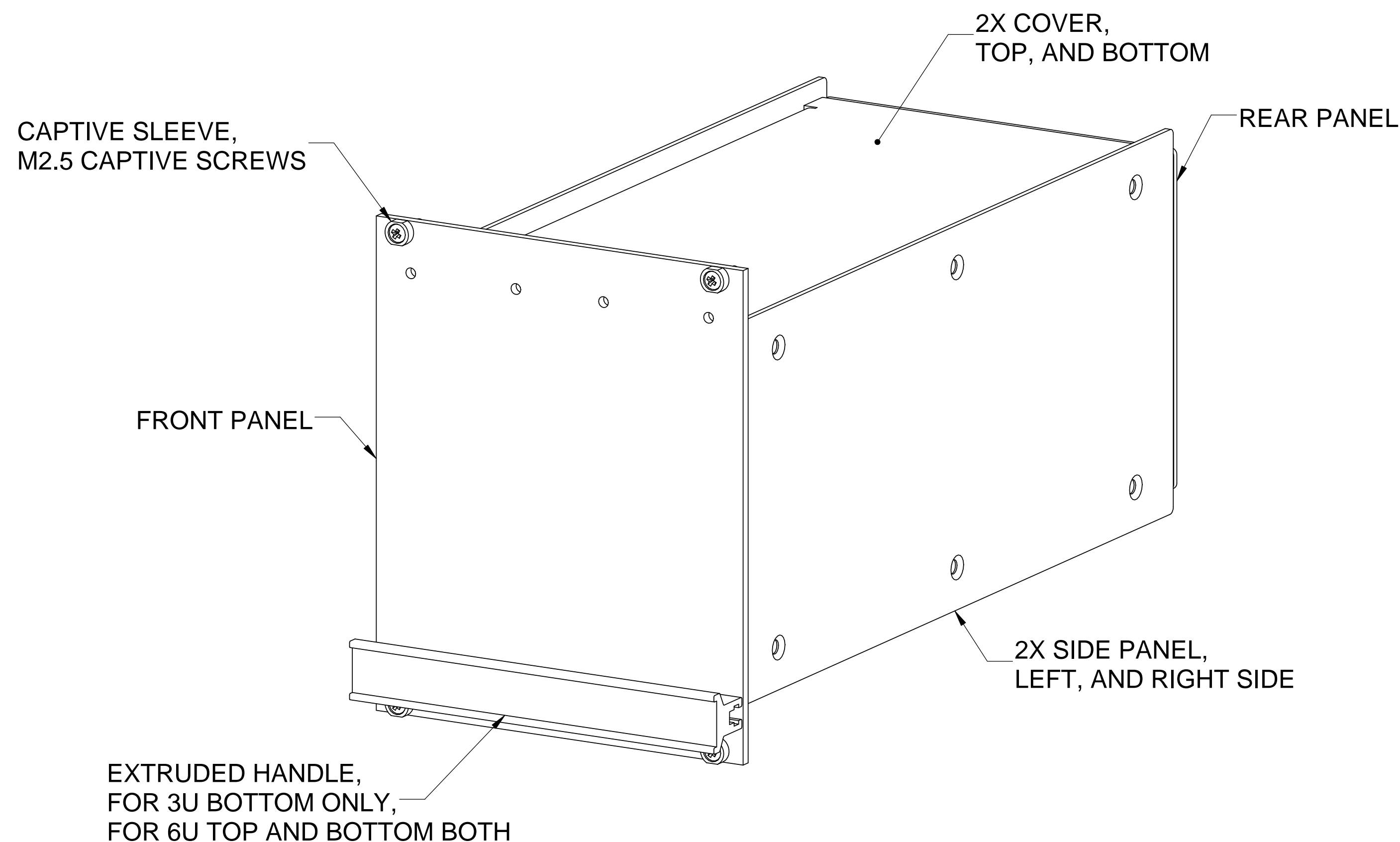


PROPRIETARY AND CONFIDENTIAL
 THE INFORMATION CONTAINED IN THIS DRAWING IS THE SOLE PROPERTY OF VECTOR ELECTRONICS & TECH., INC. ANY REPRODUCTION IN PART OR AS A WHOLE WITHOUT THE WRITTEN PERMISSION OF VECTOR ELECTRONICS & TECH., INC. IS PROHIBITED.

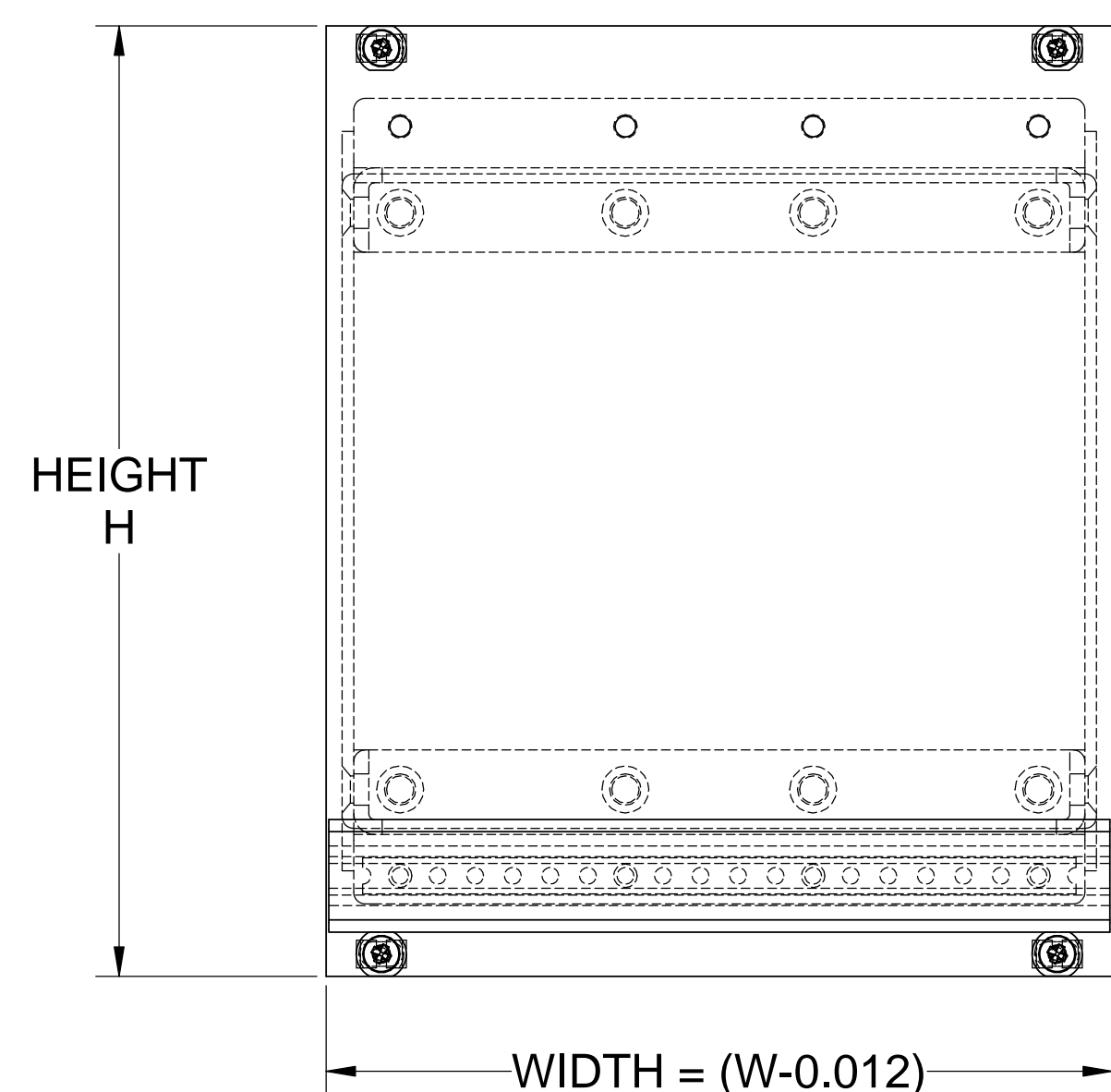
REVISIONS				
ZONE	REV	DESCRIPTION	DATE	APPROVED
ALL	A	INITIAL RELEASE	06/15/10	



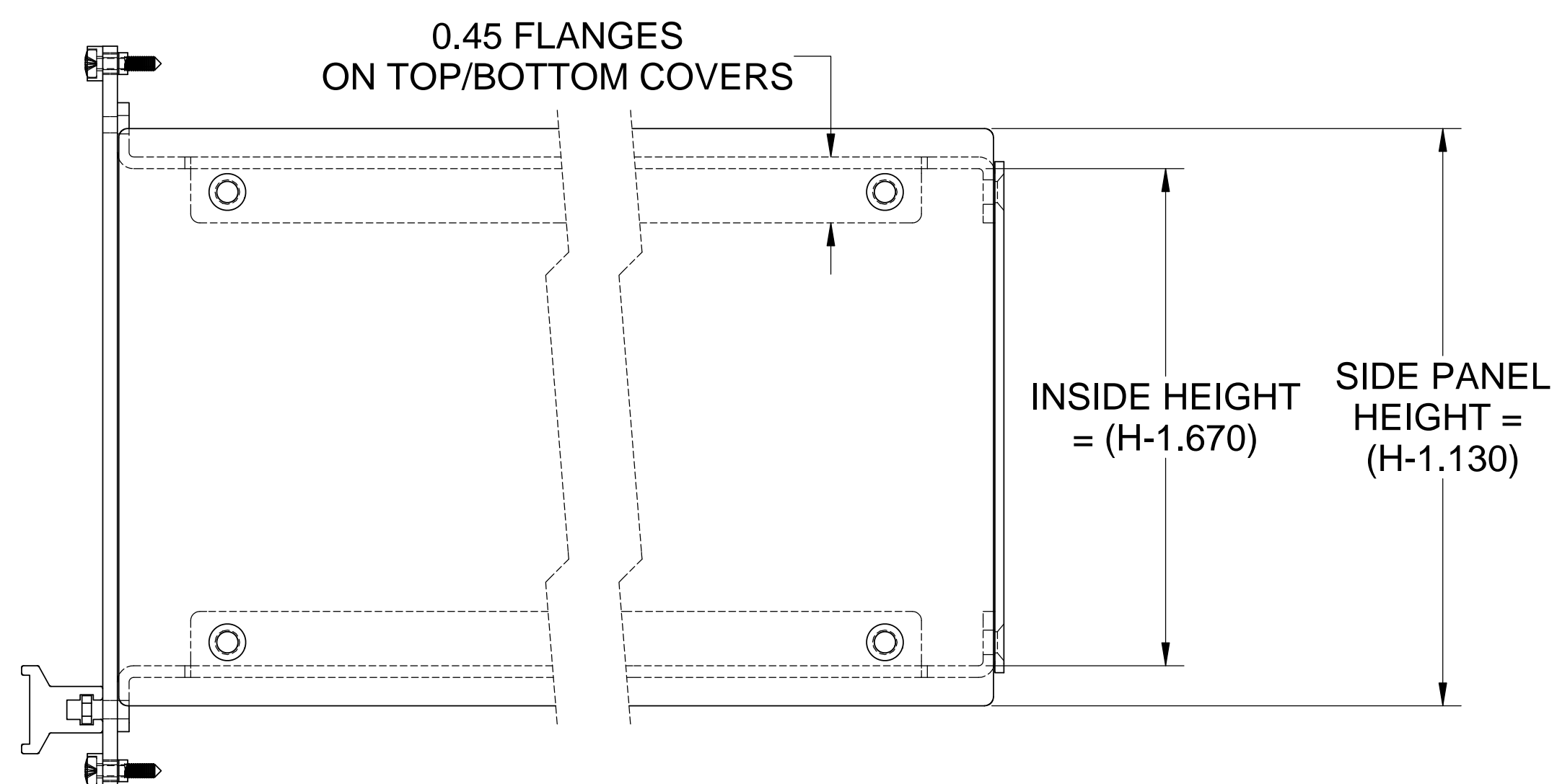
TOP VIEW



ISOMETRIC VIEW



FRONT VIEW



RIGHT SIDE VIEW

MODULE HEIGHT	
DESCRIPTION	H
3U MODULES	5.060
6U MODULE	10.310

MODULE WIDTH	
DESCRIPTION	W
6HP WIDE	1.200
15HP WIDE	3.000
21HP WIDE	4.200
23HP WIDE	4.600
42HP WIDE	8.400
56HP WIDE	11.200

MODULE DEPTH	
DESCRIPTION	D
160mm DEPTH	6.560
220mm DEPTH	8.922
280mm DEPTH	11.284
340mm DEPTH	13.647
400mm DEPTH	16.009
215mm DEPTH	8.725

- 4. FURNISHED ASSEMBLED
- 3. FINISH FOR STEEL PARTS
ZINC PLATE PER ASTM-B-633, CLASS 3, TYPE I
- 2. FINISH FOR ALUMINUM PARTS
CLEAR CHEM FILM, IAW MIL-C-5541, CLASS 3
- 1. INTERPRET DRAWING PER ASME Y14.100

NOTES : UNLESS OTHERWISE SPECIFIED

UNLESS OTHERWISE SPECIFIED
 DIMENSIONS ARE IN INCHES
 TOLERANCES:
 DEC X.X ±0.1
 DEC X.XX ±0.03
 DEC X.XXX ±0.010
 FRACTIONS ±0.050
 ANGLES ±1°
 GD & T : ASME Y14.5-2009

APPROVALS	NAME	DATE
DRAWN	TRUSHAR	06/15/10
CHECKED		
ENGINEER		
QA		

THIRD ANGLE PROJECTION

VECTOR ELECTRONICS & TECHNOLOGY, INC. 11115 VANOWEN ST., NORTH HOLLYWOOD, CA 91605 www.vectorelect.com

EMA MODULES

SIZE D	DWG. NO. EMA	REV A
SCALE: 1:1	CAGE CODE: 82893	SHEET 1 OF 1