

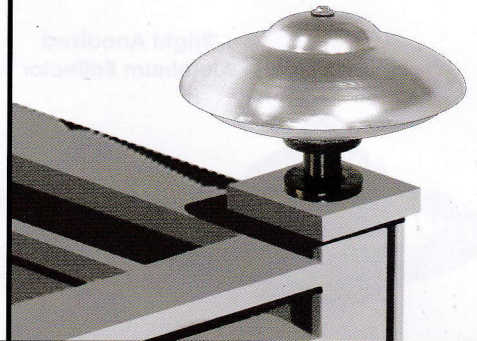
AMCO SAUCER AMCRYLIC LAMP



MODEL NO.
C - 49 - C



MODEL NO.
C - 48 - C



MODEL NO.
C - 49 - B



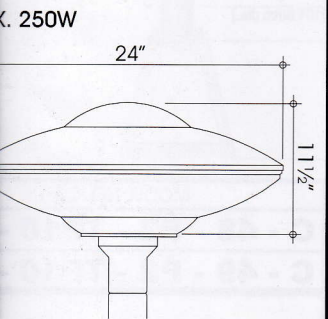
MODEL NO.
C - 48 - B

POST: Zinc Electro-galvanized steel lantern post and pedestal base coated with red oxide and enamel paint finish. Complete with anchor bolts, nuts and washers.

BRACKET: Zinc Electro-galvanized steel multi-arm support brackets are all finished in bright aluminum paint.

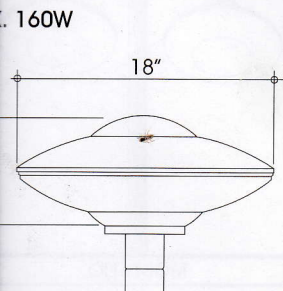


MODEL NO.
C - 48 - W
C - 49 - W

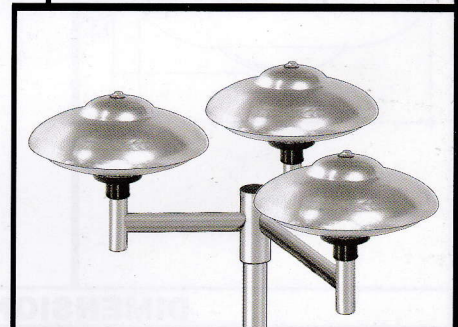
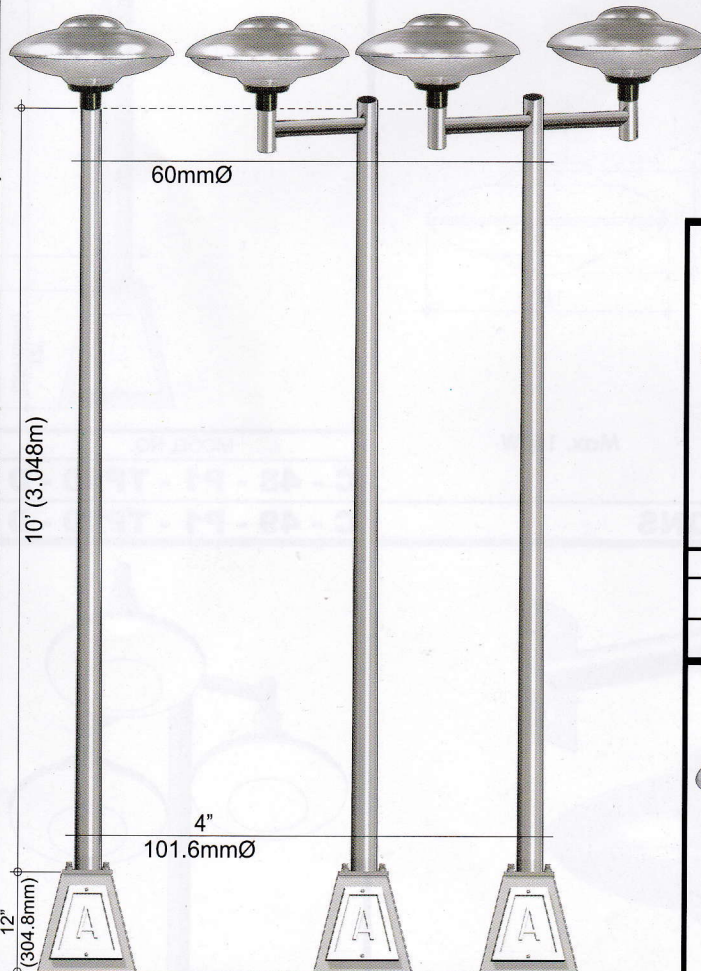


C - 49 - C

DIMENSIONS



C - 48 - C



MODEL NO.
C - 48 - P3 - TP10
C - 49 - P3 - TP10



MODEL NO.
C - 48 - P4 - TP10
C - 49 - P4 - TP10

MODEL NO.	MODEL NO.	MODEL NO.
C-48-P1-TP	C-48-P1-TP10	C-48-P2-TP10
C-49-P1-TP	C-49-P1-TP10	C-49-P2-TP10