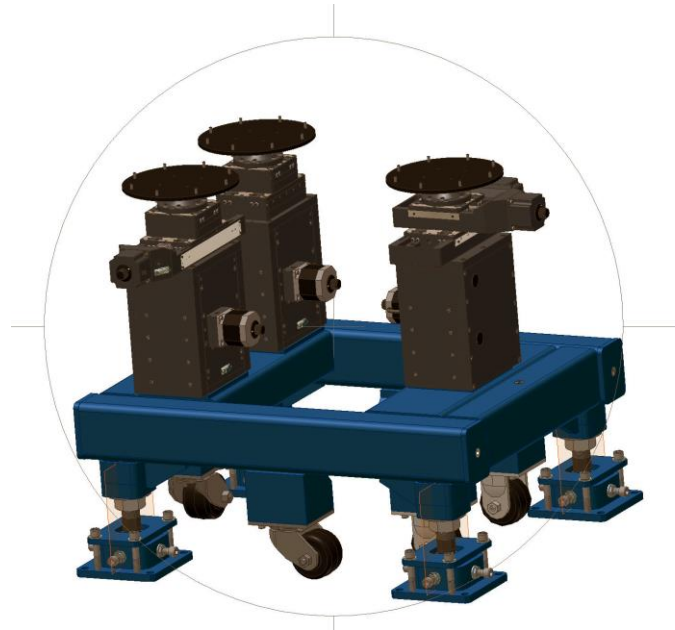


SLAC 6 Degree of Freedom Optical Table



Customer:
SLAC National Accelerator Laboratory
2575 Sand Hill Road M/S 1
Menlo Park, CA 94025



This SLAC six degrees of freedom High Precision Motorized Optical Table was designed to hold a large refractometer system. The system base was made of a welded steel frame with a powder coated finish. Frames were filled with sand to reduce the table natural frequency and provide passive damping. When in use, the table rests on four machinery feet. When in transport, the feet are retracted and casters allow for easy handling. To learn more about SLAC please go to: <https://www6.slac.stanford.edu/>

