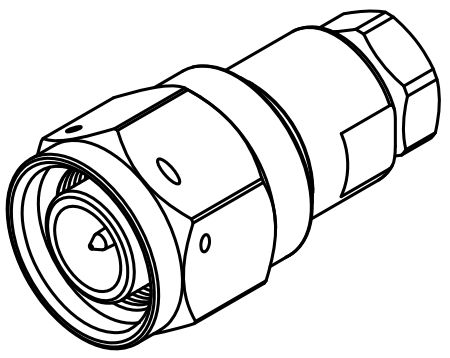
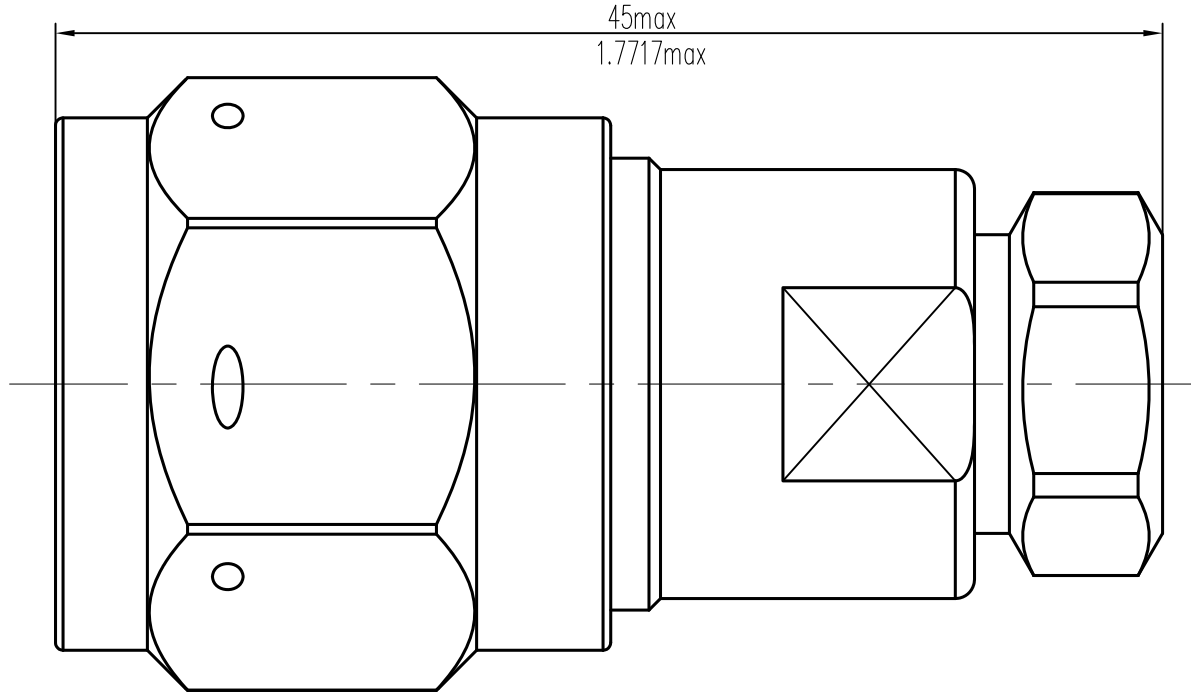


1		2		3		4		5		6	
TECHNICAL SPECIFICATION			METERIAL			FINISH					
FREQUENCY RANGE		DC~18GHz	Inner conductor		Beryllium copper		Gold				
IMPEDANCE		≥5000MΩ	Insulator		PEI		—				
OPERATING TEMP		-55℃~+70℃	Body		Stainless steel 303		Passivated				
VSWR		≤1.25	Nut		Stainless steel 303		Passivated				



UNLESS OTHERWISE SPECIFIED
 1) ALL DIMENSIONS ARE AFTER PLATING.
 2) BREAK CORNERS & EDGES.005 R. MAX.
 3) CHAM. 1ST & LAST THREADS.
 4) SURFACE ROUGHNESS 63 √ MIL-STD-10.
 5) DIA S ON COMMON CENTERS TO BE CONCENTRIC WITHIN .004 T.I.R.
 6) REMOVE ALL BURRS



PROPRIETARY
 THE INFORMATION CONTAINED IN THIS DRAWING IS THE SOLE PROPERTY OF LANJIAN, INC. WITHOUT THE WRITTEN PERMISSION OF LANJIAN ELECTRONICS, INC IS PROHIBITED.

DRAWN:
 CHECKED:
 STANDARDIZATION:
 APPROVED:

DWG.NO. TNC-M055
 TITLE: SIZE 5:1
 CAGE CODE: SHEET 1/1

A

A

B

B

C

C

D

1