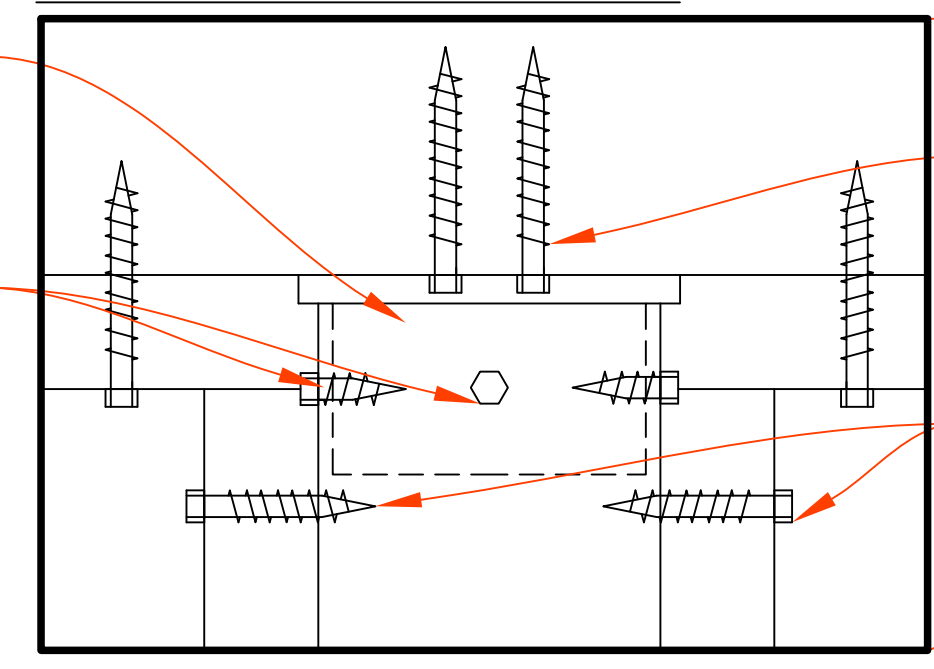


**ALUMINUM RAILINGS AND HANDRAILS
 SCREENED PORCH SHEET**

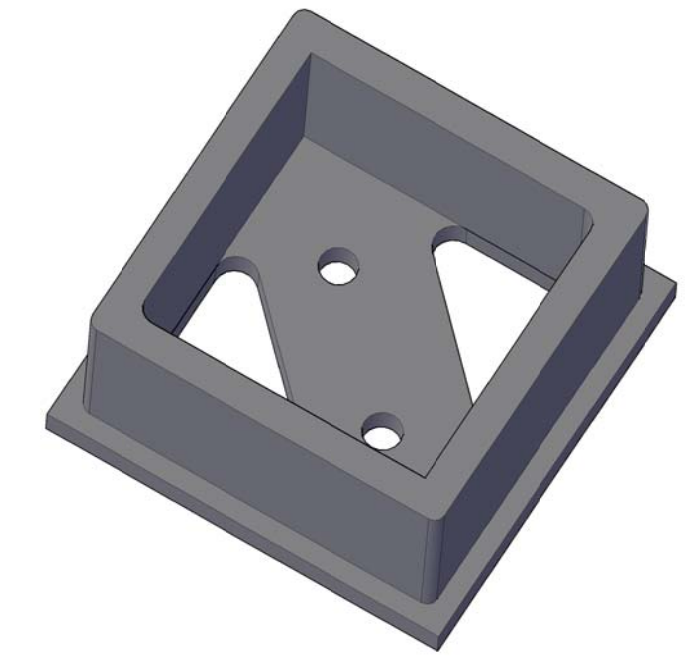
MADDEN MFG. CO
 331 DOGWOOD ROAD, LAKE OZARK, MISSOURI 65049
 573-365-7040 800-248-1520

CEILING MOUNT

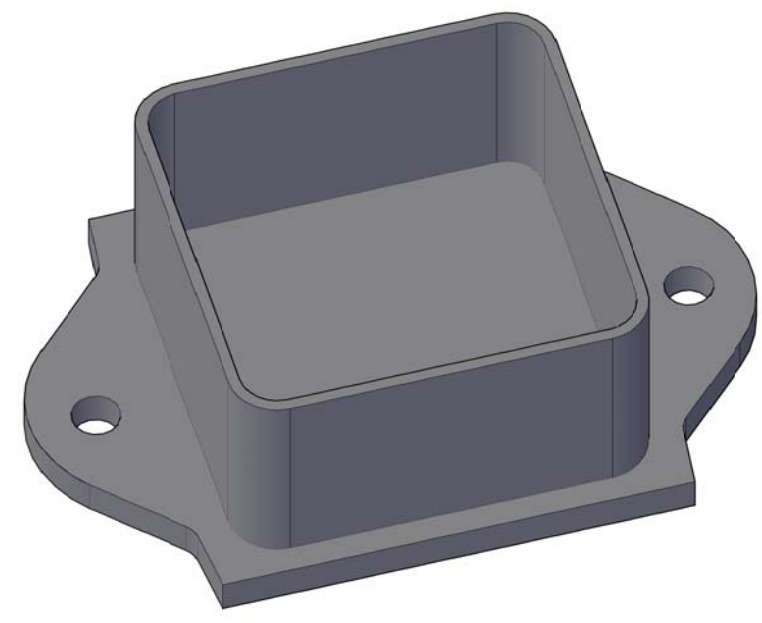


3" POST FLANGE ANCHOR
 USE (4)- #10 3/4" SELF TAPPERS ON EACH SIDE OF 3"x3" POST
 USE (2)- 1/4"x2" LONG WOOD LAG SCREWS
 USE #10 1.5" SELF TAPPER EVERY 24" ON CENTER

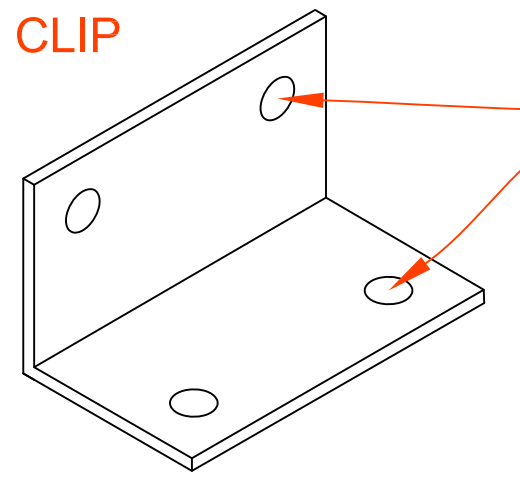
3" POST FLANGE ANCHOR



3" POST FLANGE ANCHOR WITH TWO EARS



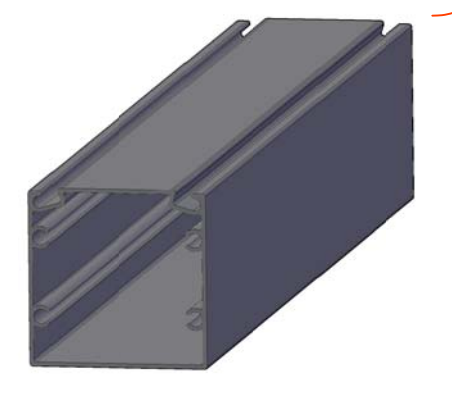
CAPRI CLIP



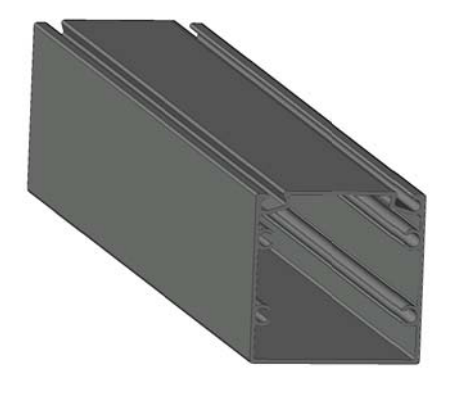
USE 4- #10 3/4" SELF TAPPING FASTENER TO ALUMINUM.
 #10 2" FOR WOOD. 1/4" x 2 - 1/4" TAPCON FOR CONCRETE ANCHOR

CAPRI CLIP TYPICAL ALL

2"x2" SQUARE POST



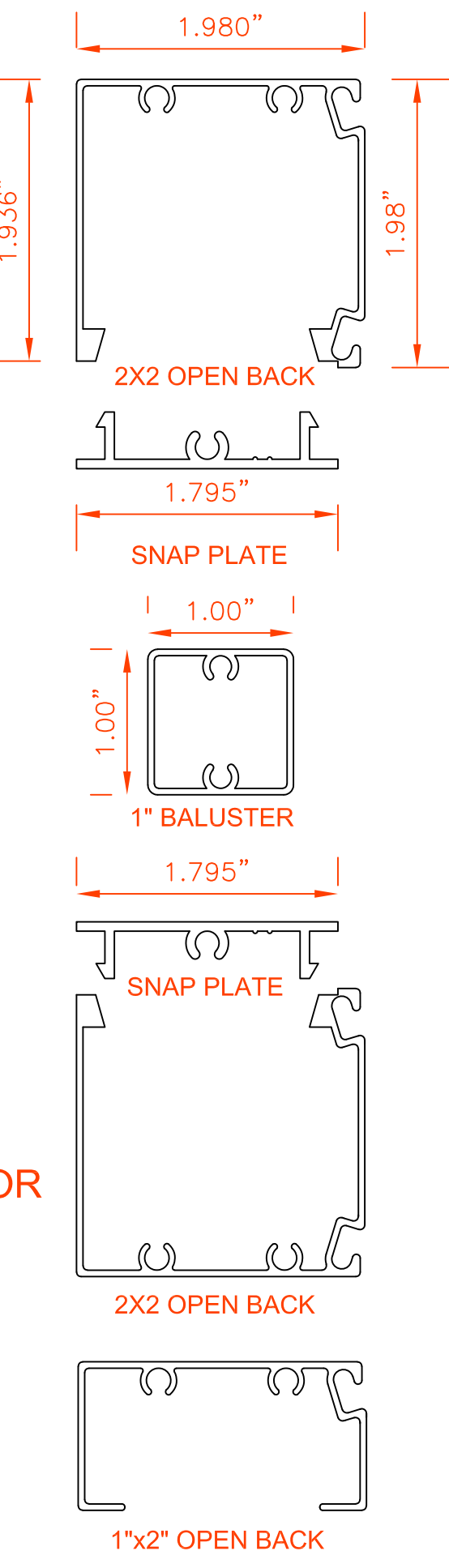
2"x2" SQUARE POST



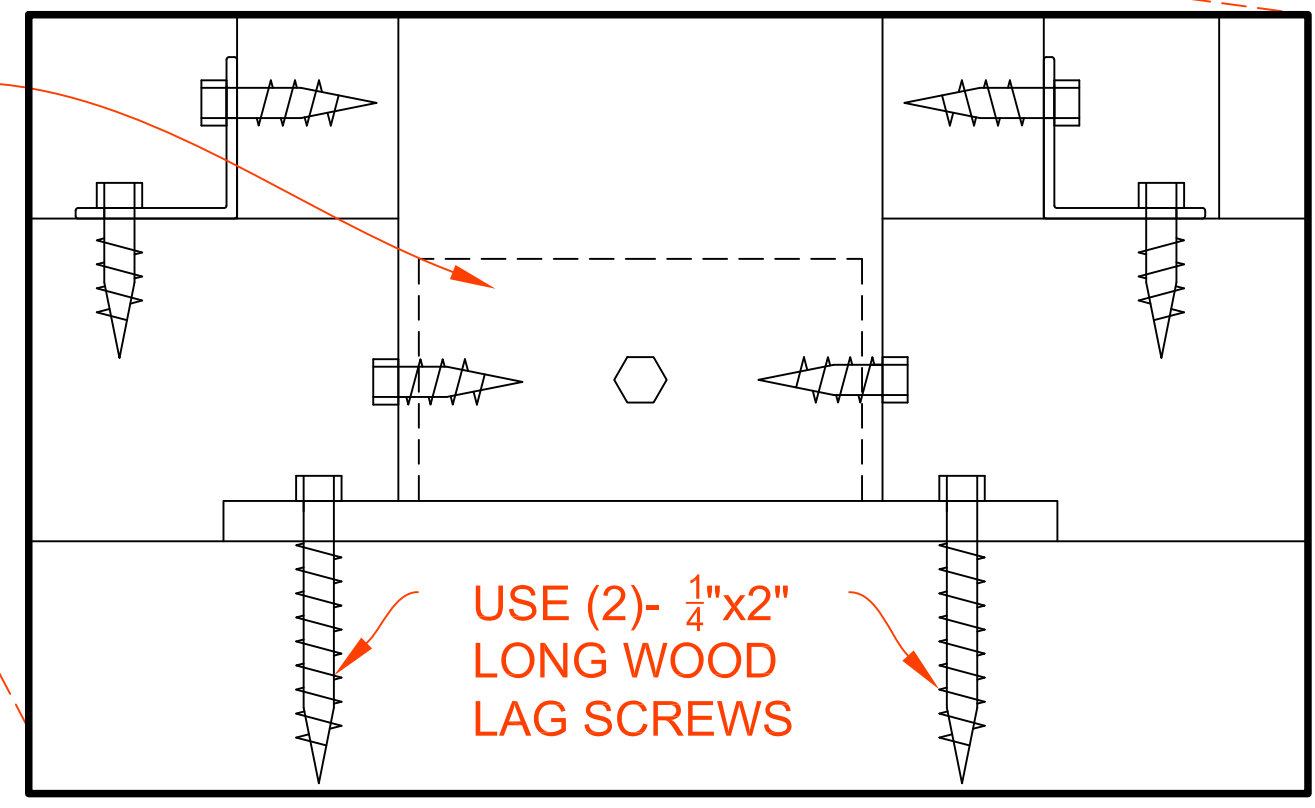
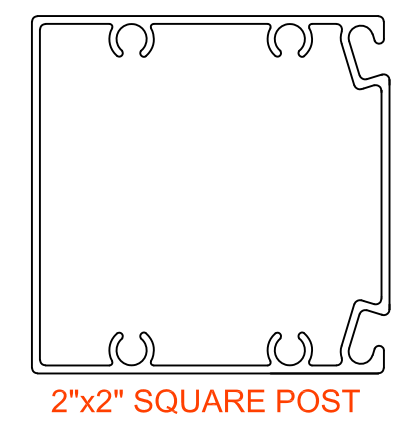
SCREEN DOOR

CAPRI CLIP TYPICAL ALL

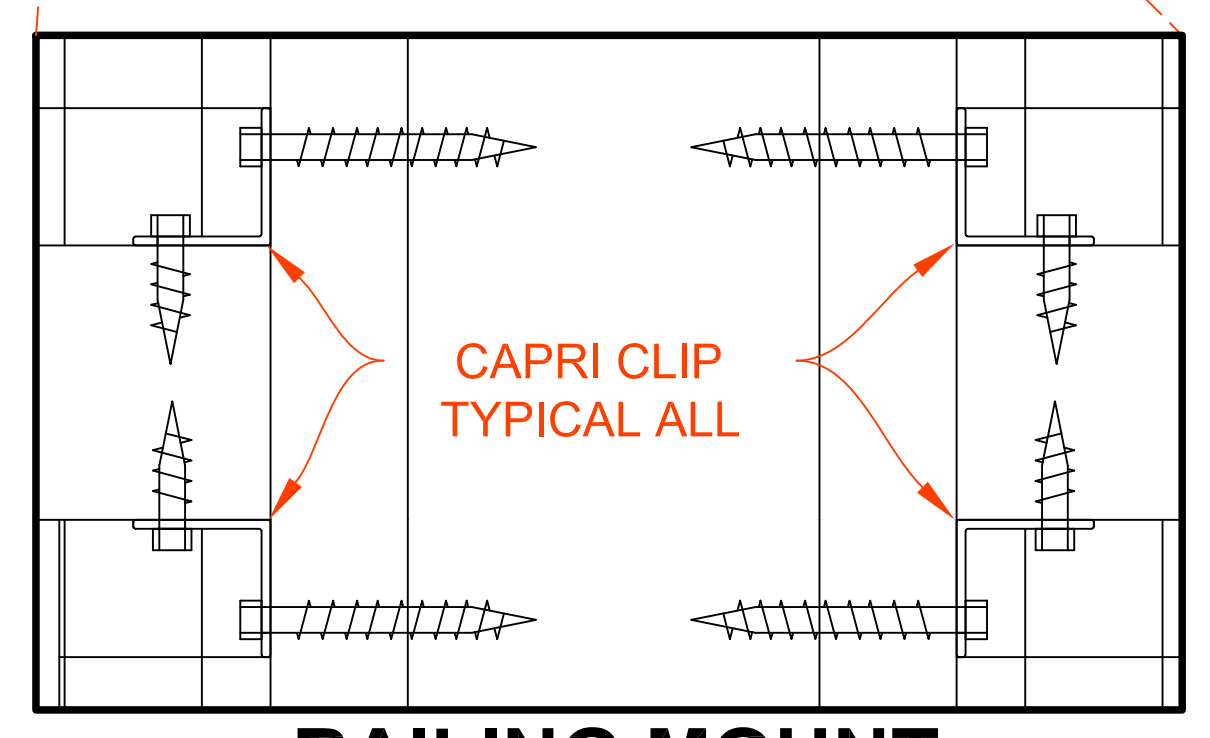
2"x2" SQUARE POST OR 2"x2" OPEN BACK OR 1"x2" OPEN BACK



3' POST FLANGE ANCHOR WITH TWO EARS



FLOOR MOUNT



RAILING MOUNT

EXISTING STRUCTURE (MAY VARY)

EXISTING STRUCTURE (MAY VARY)

EXISTING ROOF BY OTHERS

1"x2" OPEN BACK

EXISTING POST

1"x2" OPEN BACK (OPEN SIDE DOWN) TO BE USED WHEN CONNECTING TO EXISTING POST ON EACH SIDE

3"x3" POST. MAX SPAN 8FT.

1"x2" OPEN BACK. USE #10 SMS 2" EVERY 18" ON CENTER FOR WOOD DECK. USE 1/4" X 2-1/4" TAP CONS EVERY 18" ON CENTER FOR CONCRETE.

2" X 2" SQUARE POST 8 FT MAX SPAN

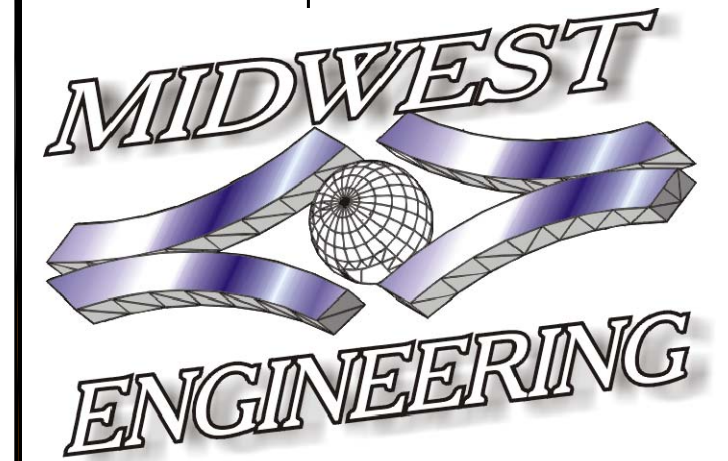
1" BALUSTER SEE CONNECTION DETAIL ON STANDARD HANDRAIL SHEET

2"x2" SQUARE POST

USE #10 SMS 2" EVERY 18" ON CENTER FOR WOOD DECK. USE 1/4" X 2 - 1/4" TAP CONS EVERY 18" ON CENTER FOR CONCRETE.

GENERAL NOTES:

1. THIS SYSTEM HAS BEEN DESIGNED IN ACCORDANCE WITH THE REQUIREMENTS OF 2015 INTERNATIONAL BUILDING CODE. (CONCENTRATED LOAD OF 200 POUNDS MAX; AND A SEPARATE 50 PLF LINEAR LOAD).
2. IT SHALL BE THE RESPONSIBILITY OF THE PERMIT HOLDER TO VERIFY ADEQUACY OF EXISTING STRUCTURES TO SUSTAIN NEW SUPERIMPOSED LOADS AND TO VERIFY ALL DIMENSIONS AT THE SITE
3. THIS STRUCTURE SHALL NOT BE SUPPORTED BY A TRAILER OR MANUFACTURED HOME THAT DOES NOT HAVE A PERMANENT FOUNDATION, ADD ADDITIONAL BEAMS AND COLUMNS TO MAKE A FREESTANDING STRUCTURE.
4. ALL STRUCTURAL EXTRUDED ALUMINUM COMPONENTS SHALL BE 6061-T6 ALLOY. SCREWS AND BOLTS SHALL BE STAINLESS STEEL AND XYLAN COATED ZINC (2000 HR SALT SPRAY) THEN PAINTED, AND CERAMIC PAINTED ZINC
5. AN APPROVED MEMBRANE SHALL BE USED BETWEEN DISSIMILAR METALS TO PREVENT GALVANIC CORROSION
6. REPRODUCTION AND APPROVAL OF THIS PLAN FOR CONSTRUCTION OR ANY USE SHALL BE DONE BY MADDEN MANUFACTURING.
7. SCREEN SHALL BE A MINIMUM 60% OPEN
8. THE STRUCTURE SHALL NOT BE ATTACHED TO A CANTILEVERED OVERHANG WITHOUT THE SPECIFIC DESIGN APPROVAL OF MADDEN MANUFACTURING AND THE ENGINEER.
9. SEE STANDARD HANDRAIL DRAWING FOR MORE DETAIL.
10. SMS STANDS FOR SHEET METAL SCREW.



MIDWEST ENGINEERING
 5610 Alona Point
 Osage Beach, MO 65065
 matt.m@mwec.us
 Telephone: 573-216-0066
 www.mwec.us

NO. 1
 DATE 11/13/17
 DR'N. MJM
 CKD.

MO Corp: 2001015503
 Expires 12/31/17