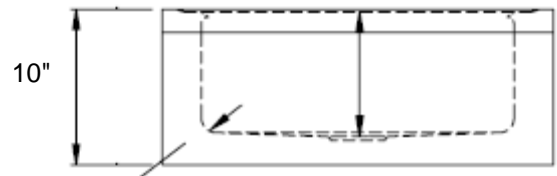
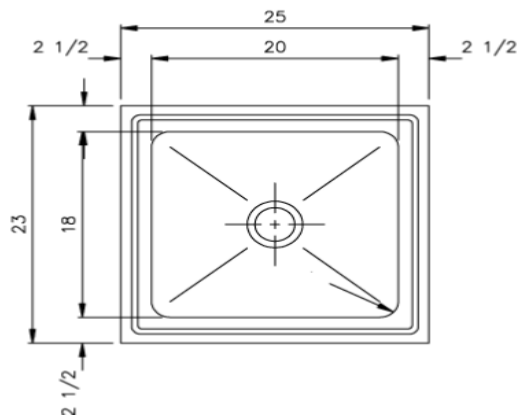


WICKETTS STAINLESS SPECIFICATION



Model Number			
WMS-2325-10	23	25	10
Custom			



- 3" N.H.
- 3" CAULK

Engineering Specification:

16 gauge, type 304 stainless mop sink. Top 2" wide top channel rims. Exposed surfaces polished to a #4 satin finish. With grid drain 2" or 3" NH or Caulk outlet.

WARNING:
This product can expose you to chemicals, which are known to the State of California to cause cancer. For more information, visit www.P65Warnings.ca.gov.

WICKETTS STAINLESS, LLC
2618 San Miguel Dr. Bldg.# 376
Newport Beach, CA 92660
T. (951) 858-2548
F. (951) 638-9059
www.wickettsstainless.com
sales@wickettsstainless.com



Approved for Manufacturing
Company: _____
Signature: _____
Print: _____ Date: / /