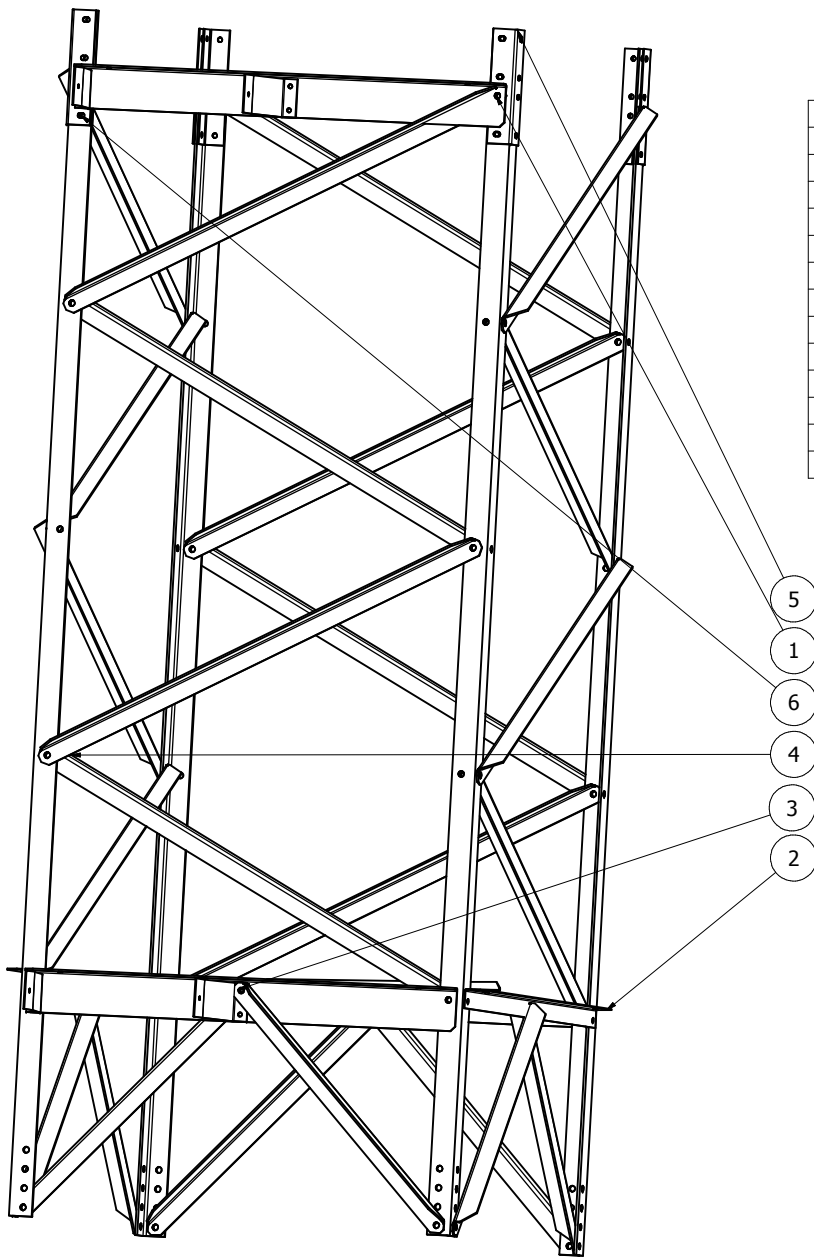


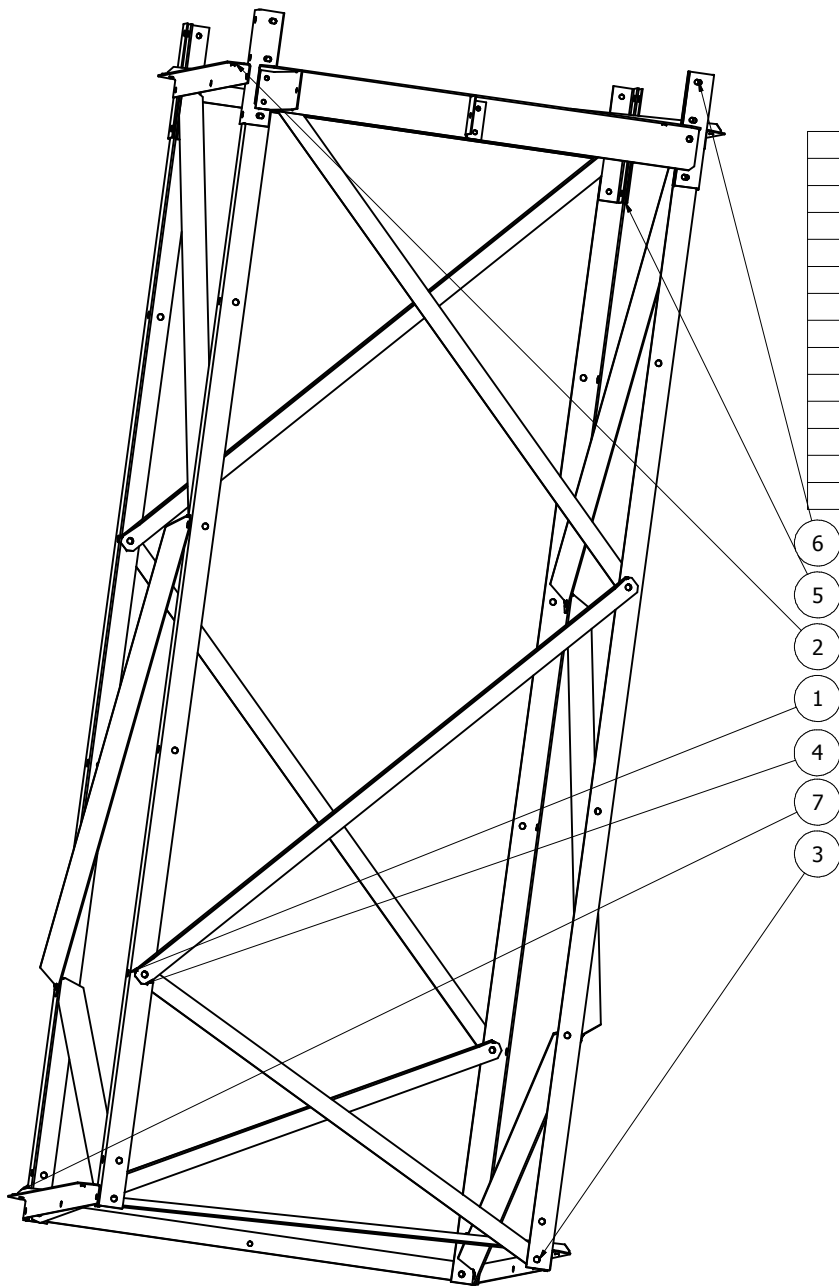
Parts List			
ITEM	QTY	PART NUMBER	DESCRIPTION
1	1	43411 1-4 small base 10 ft	
2	1	43311 3-16 small Int 10 ft	
3	1	43371 3-16 small 7-5 top	
4	1	64550 5 x 5 top deck assy	
5	4	64-AB001 Anchor base	
6	1	Template assy	

DRAWN Rex A Greene		6/14/2005	Greene Welding and Hardware Inc. Greene Galvanized Stairs 217/375/4244 www.greenebstairs.com	
CHECKED			TITLE	
QA			REV	
MFG			SIZE C	DWG NO 64217 27-5 tower assy
APPROVED			SCALE NA	SHEET 1 OF 7



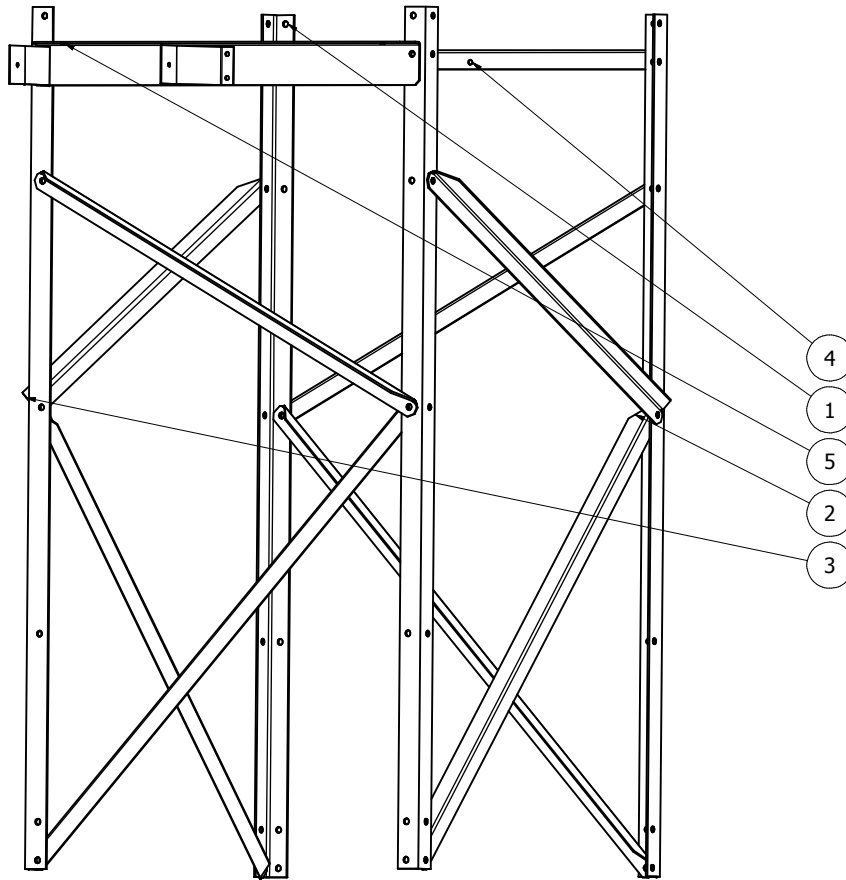
Parts List			
ITEM	QTY	PART NUMBER	DESCRIPTION
1	4	SR2410 1-4 base siderail	2.5x2.5x120x1/4
2	3	64-C001 cross angle	2x2x47x8ga
3	8	64-D2001 Base Dia 27	2x2x34.375x8ga
4	16	64-D202 Diagonal	2x2x52.5x8ga
5	4	SS2008 Siderail Splice	2.5x2.5x12x8ga
6	8	SS2018 Inside splice plate	2x12x8ga
7	1	64-T001 tie brace	1x2x65.5x8ga
8	2	64-LC002 Ladder Cross bar	4.375x2x46.75x8ga
9	4	64-LB002 Ladder Bracket	9x1.5x12ga
10	48	7/16" x 1 1/2" Cap screws	
11	30	7/16" x 1" Cap screws	
12	80	7/16" Whiz nuts	

DRAWN Rex A Greene		6/14/2005	Greene Welding and Hardware Inc. Greene Galvanized Stairs 217/375/4244 www.greenebinstairs.com	
CHECKED			TITLE	
QA			MFG	
APPROVED			SIZE C	DWG NO 64217 27-5 tower assy
SCALE NA			REV	
			SHEET 2 OF 7	



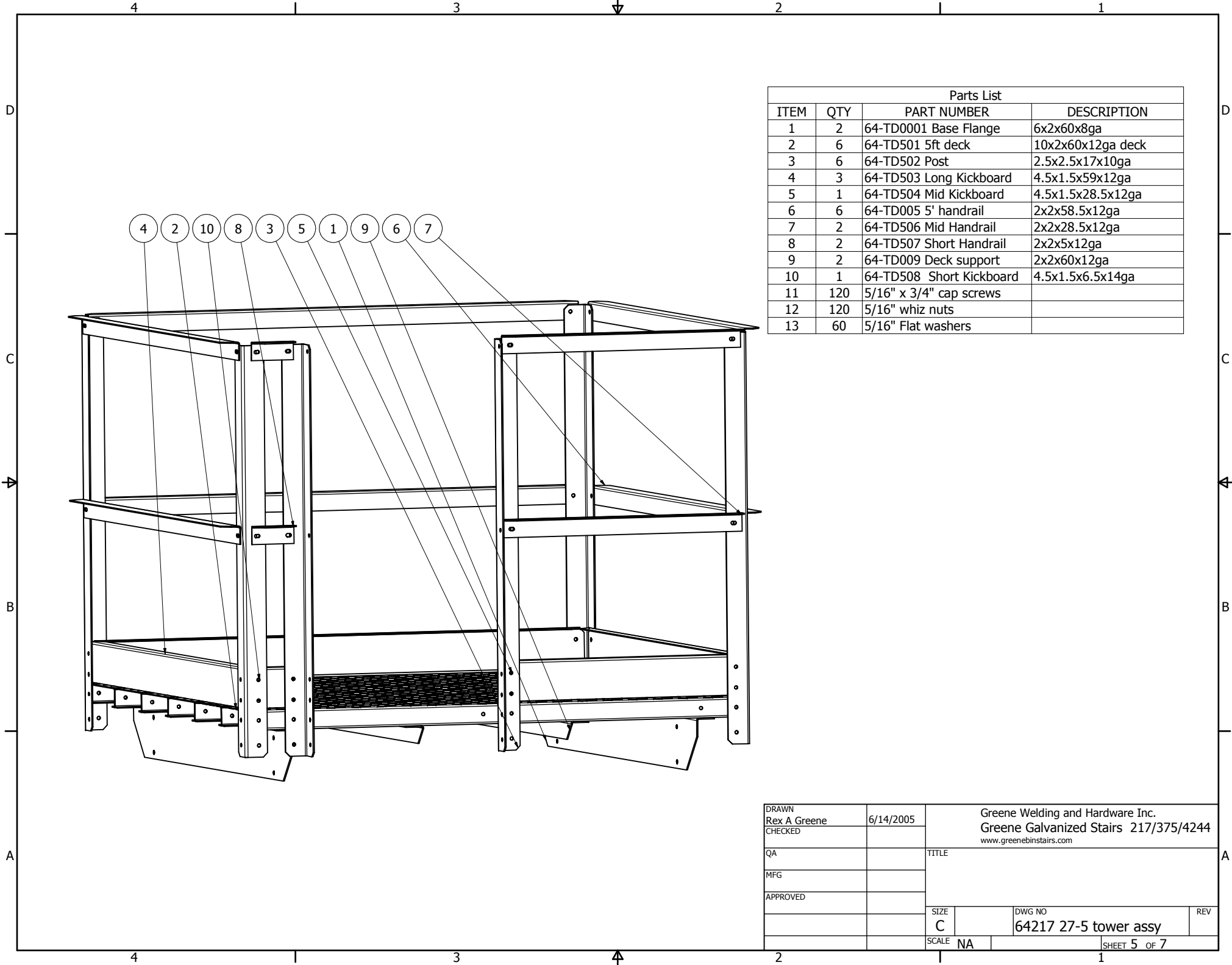
Parts List			
ITEM	QTY	PART NUMBER	DESCRIPTION
1	4	SR2310 3-16 base siderail	2.5x2.5x120x3/16
2	6	64-C001 cross angle	2x2x47x8ga
3	4	64-D202 Diagonal	2x2x52.5x8ga
4	8	64-D006 diagonal	2x2x67x8ga
5	4	SS2008 Siderail Splice	2.5x2.5x12x8ga
6	8	SS2018 Inside splice plate	2x12x8ga
7	2	64-T001 tie brace	1x2x65.5x8ga
8	1	64-LC002 Ladder Cross bar	4.375x2x46.75x8ga
9	2	64-LB002 Ladder Bracket	9x1.5x12ga
10	17	7/16" x 1 1/2" cap screws	
11	19	7/16" x 1" cap screws	
12	36	7/16" Whiz nuts	

DRAWN Rex A Greene	6/14/2005	Greene Welding and Hardware Inc. Greene Galvanized Stairs 217/375/4244 www.greenebstairs.com		
CHECKED		TITLE		
QA		MFG		
APPROVED		SIZE C	DWG NO 64217 27-5 tower assy	REV
		SCALE NA	SHEET 3 OF 7	



Parts List			
ITEM	QTY	PART NUMBER	DESCRIPTION
1	4	SR2375 3-16 top siderail 7-5	2.5x2.5x90x3/16
2	4	64-D006 diagonal	2x2x67x8ga
3	4	64-D202 Diagonal	2x2x52.5x8ga
4	1	64-C001 cross angle	2x2x47x8ga
5	1	64-LC002 Ladder Cross bar	4.375x2x46.75x8ga
6	2	64-LB002 Ladder Bracket	9x1.5x12ga
7	22	7/16" x 1" Cap screw	
8	22	7/16" whiz nuts	

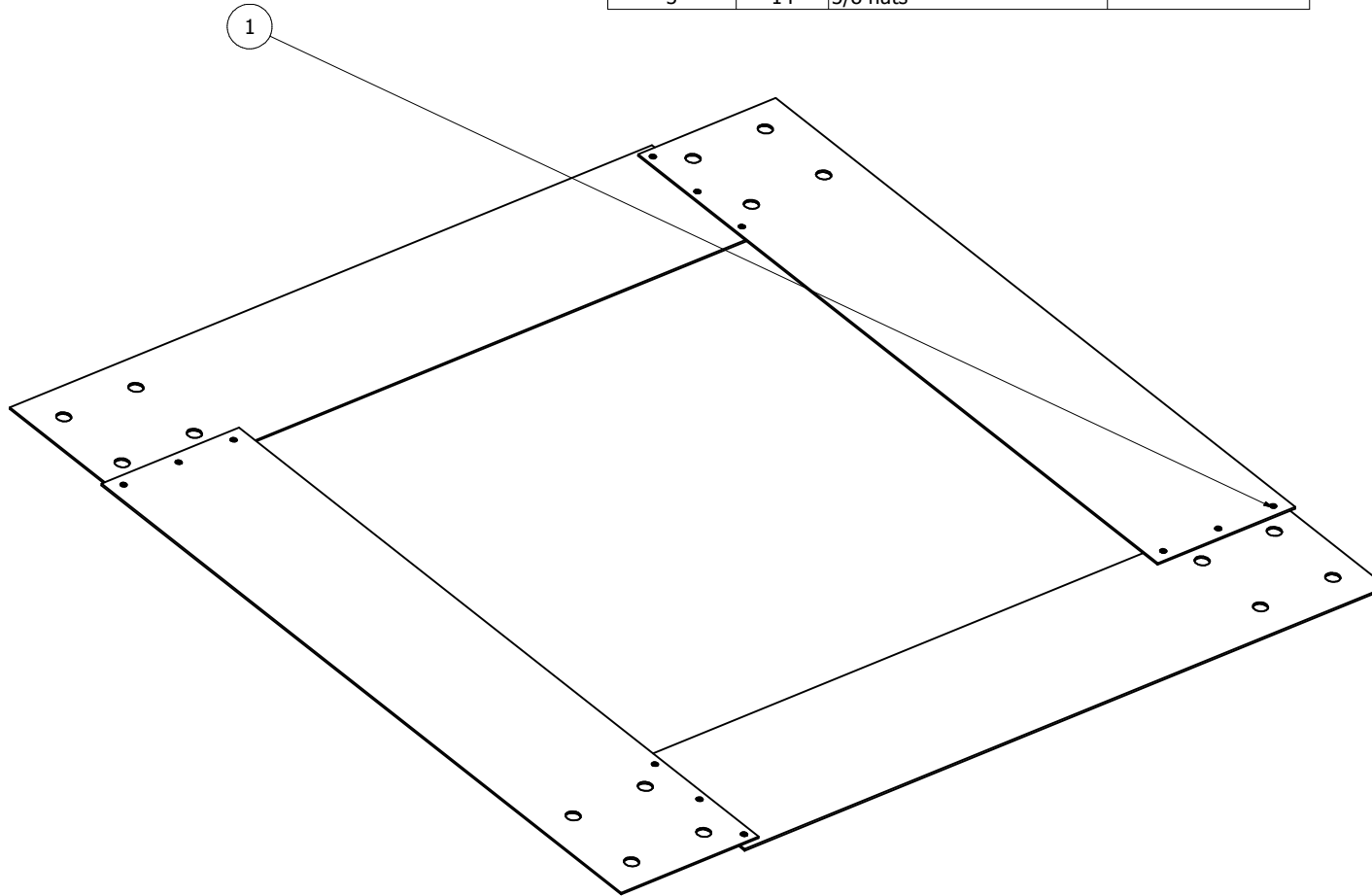
DRAWN Rex A Greene	6/14/2005	Greene Welding and Hardware Inc. Greene Galvanized Stairs 217/375/4244 www.greenebinstairs.com		
CHECKED		TITLE		
QA		MFG		
APPROVED		SIZE C	DWG NO 64217 27-5 tower assy	REV
SCALE NA	SHEET 4 OF 7			



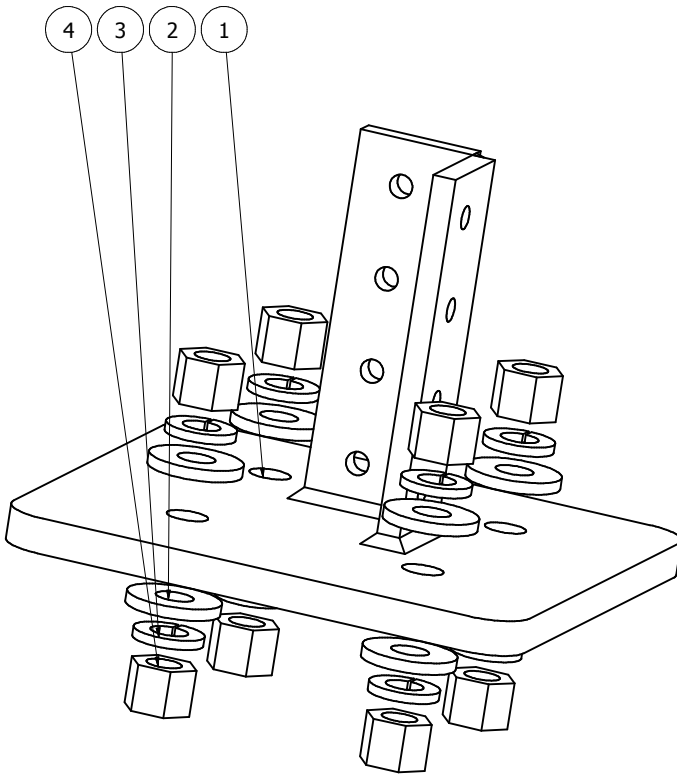
Parts List			
ITEM	QTY	PART NUMBER	DESCRIPTION
1	2	64-TD0001 Base Flange	6x2x60x8ga
2	6	64-TD501 5ft deck	10x2x60x12ga deck
3	6	64-TD502 Post	2.5x2.5x17x10ga
4	3	64-TD503 Long Kickboard	4.5x1.5x59x12ga
5	1	64-TD504 Mid Kickboard	4.5x1.5x28.5x12ga
6	6	64-TD005 5' handrail	2x2x58.5x12ga
7	2	64-TD506 Mid Handrail	2x2x28.5x12ga
8	2	64-TD507 Short Handrail	2x2x5x12ga
9	2	64-TD009 Deck support	2x2x60x12ga
10	1	64-TD508 Short Kickboard	4.5x1.5x6.5x14ga
11	120	5/16" x 3/4" cap screws	
12	120	5/16" whiz nuts	
13	60	5/16" Flat washers	

DRAWN Rex A Greene	6/14/2005	Greene Welding and Hardware Inc. Greene Galvanized Stairs 217/375/4244 www.greenebinstairs.com		
CHECKED		TITLE		
QA		MFG		
MFG		APPROVED		
APPROVED		SIZE C	DWG NO 64217 27-5 tower assy	REV
		SCALE NA	SHEET 5 OF 7	

Parts List			
ITEM	QTY	PART NUMBER	DESCRIPTION
1	4	Anchor template 48	47x10x12ga
2	14	3/8" x 3/4 cap screws	
3	14	3/8 nuts	



DRAWN Rex A Greene	6/14/2005	Greene Welding and Hardware Inc. Greene Galvanized Stairs 217/375/4244 www.greenebinstairs.com		
CHECKED		TITLE		
QA		REV		
MFG		SIZE C	DWG NO 64217 27-5 tower assy	
APPROVED		SCALE NA	SHEET 6 OF 7	



Parts List			
ITEM	QTY	PART NUMBER	DESCRIPTION
1	1	64-AB001	Anchor base
2	8	3-4	Heavy washer
3	8	3-4	lock washer
4	8	3-4	nut

DRAWN Rex A Greene	6/14/2005	Greene Welding and Hardware Inc. Greene Galvanized Stairs 217/375/4244 www.greenebinstairs.com	
CHECKED		TITLE	
QA		REV	
MFG		SIZE C	DWG NO 64217 27-5 tower assy
APPROVED		SCALE NA	SHEET 7 OF 7