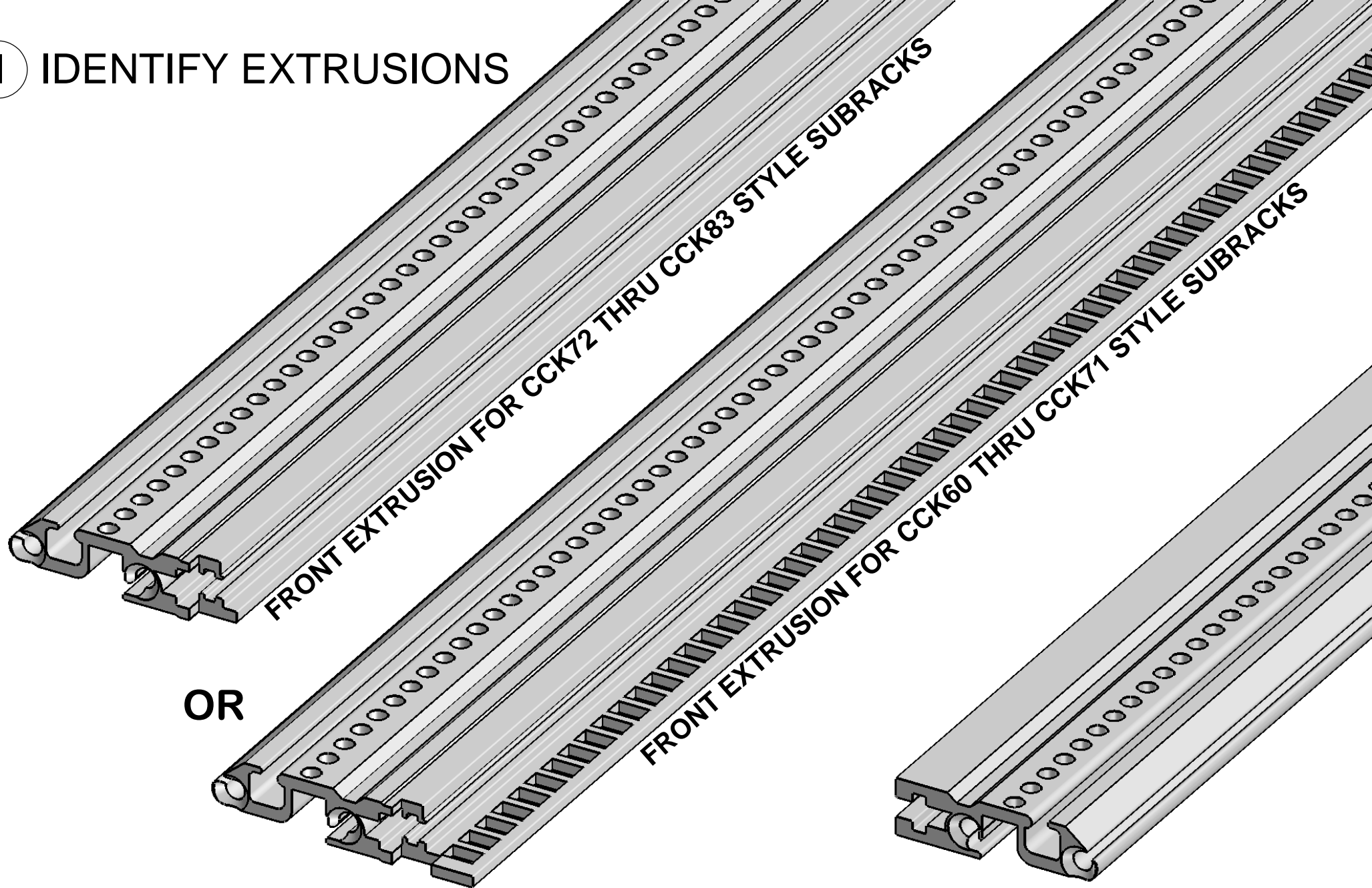


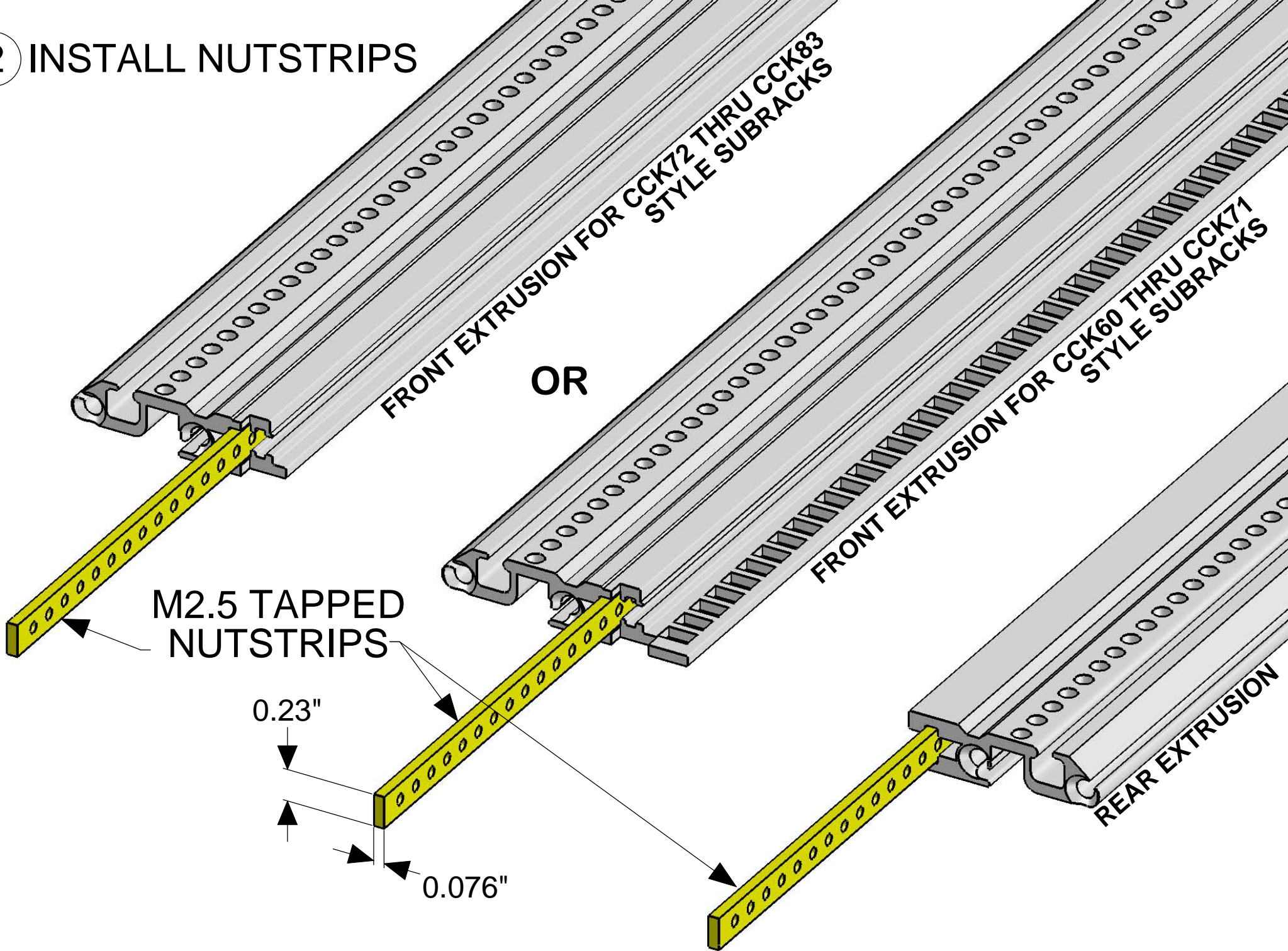
1 IDENTIFY EXTRUSIONS

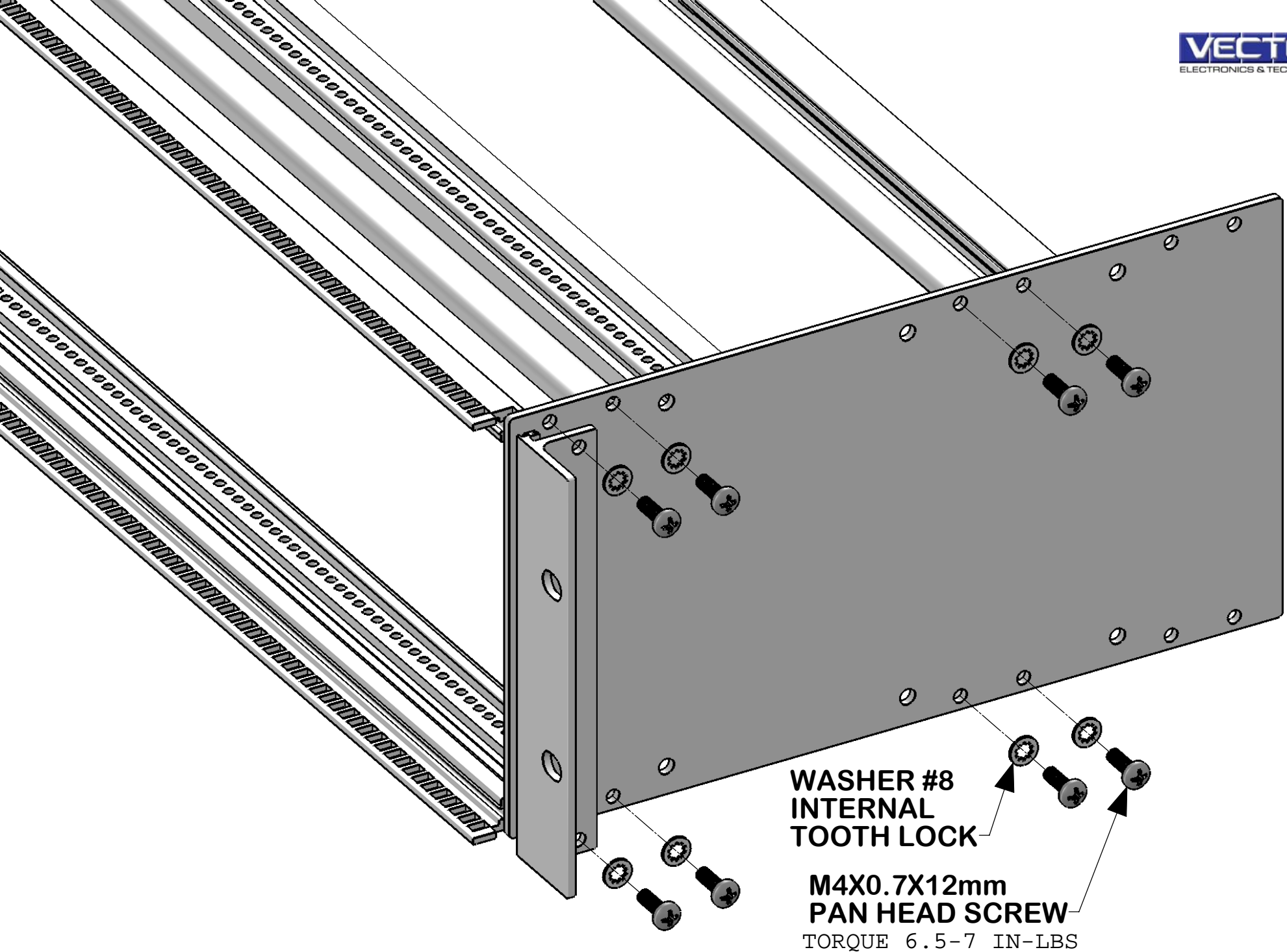


FRONT EXTRUSION

REAR EXTRUSION

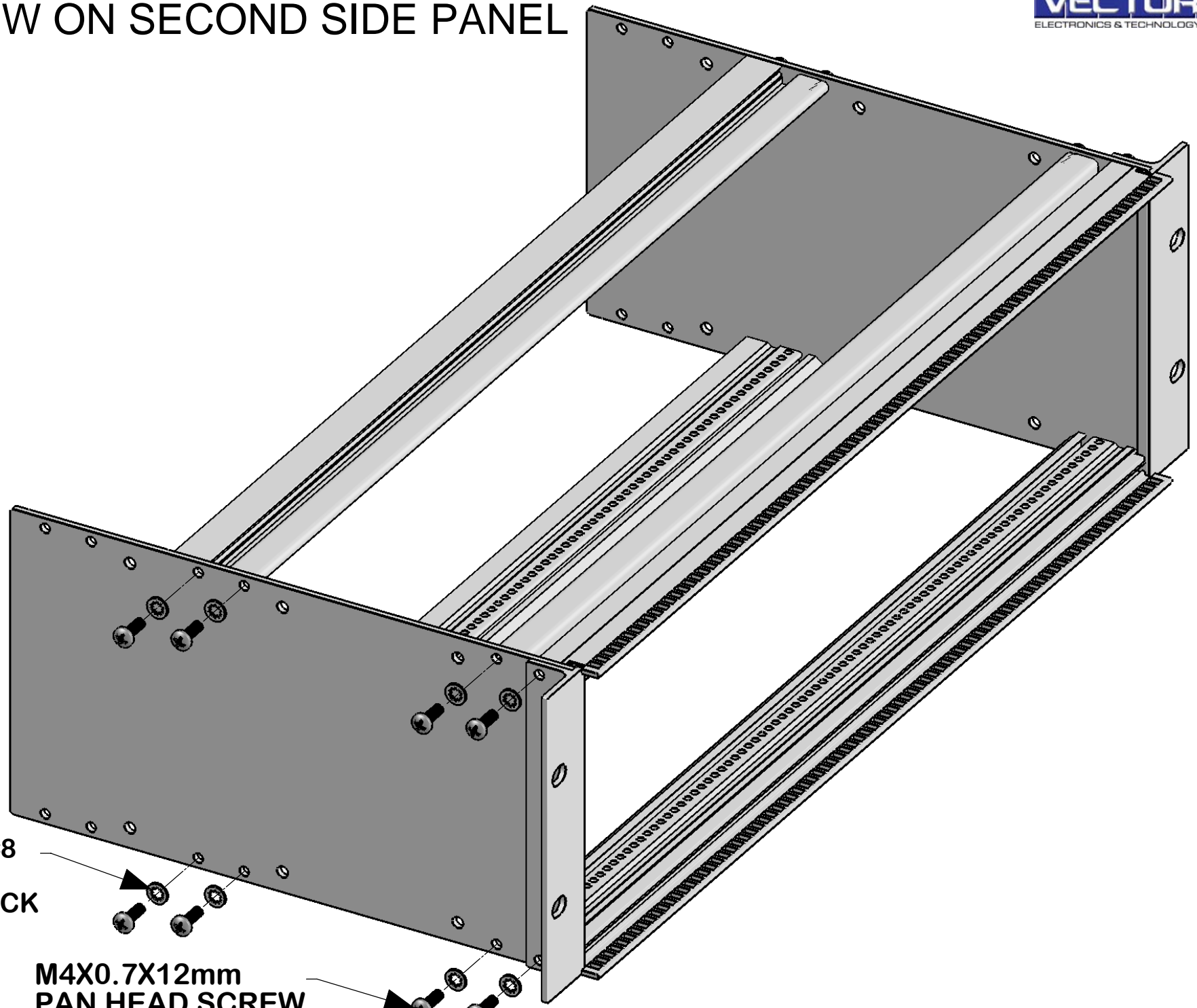
2 INSTALL NUTSTRIPS





3 SCREW FRONT & REAR EXTRUSIONS TO ONE SIDE PANEL

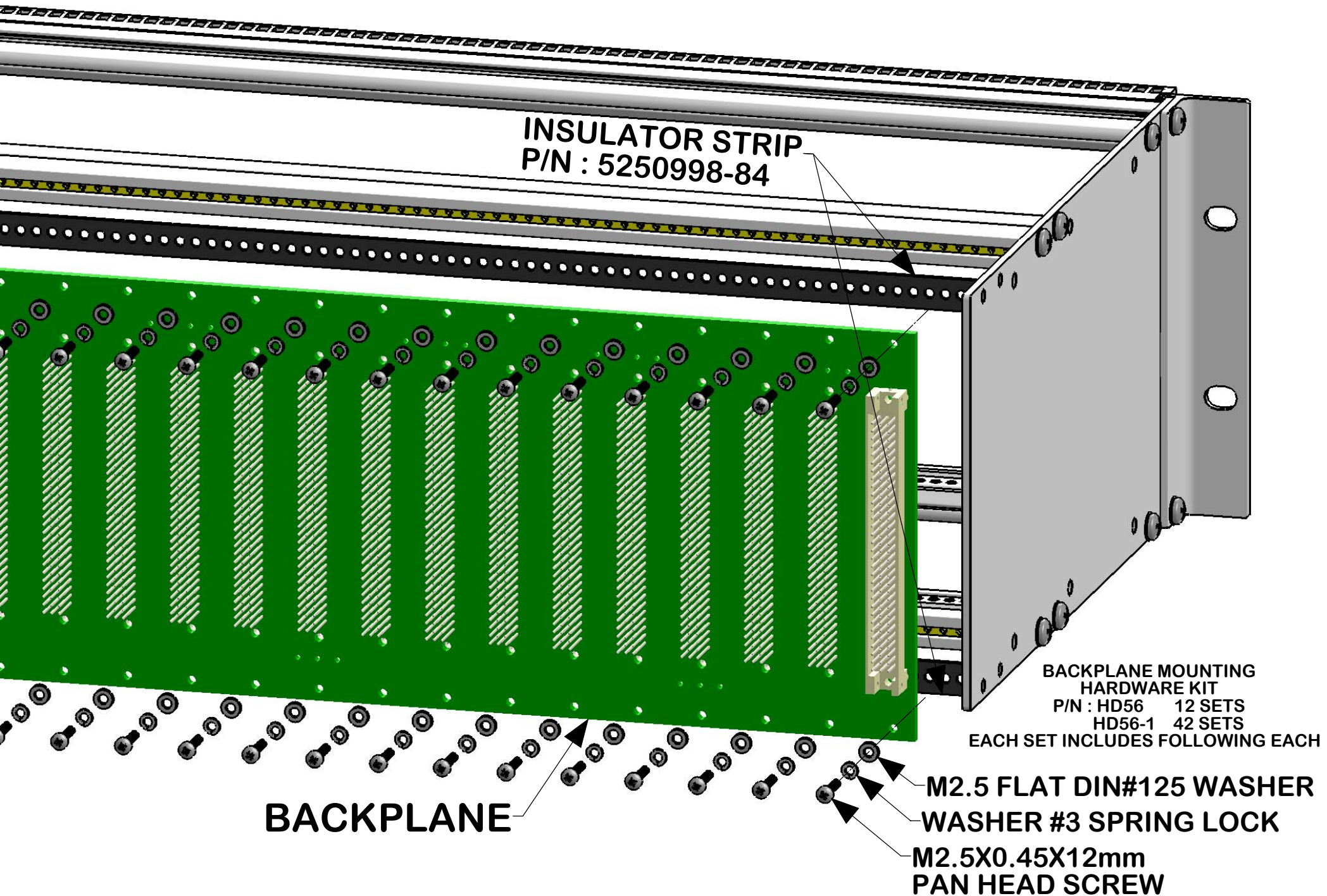
4 SCREW ON SECOND SIDE PANEL

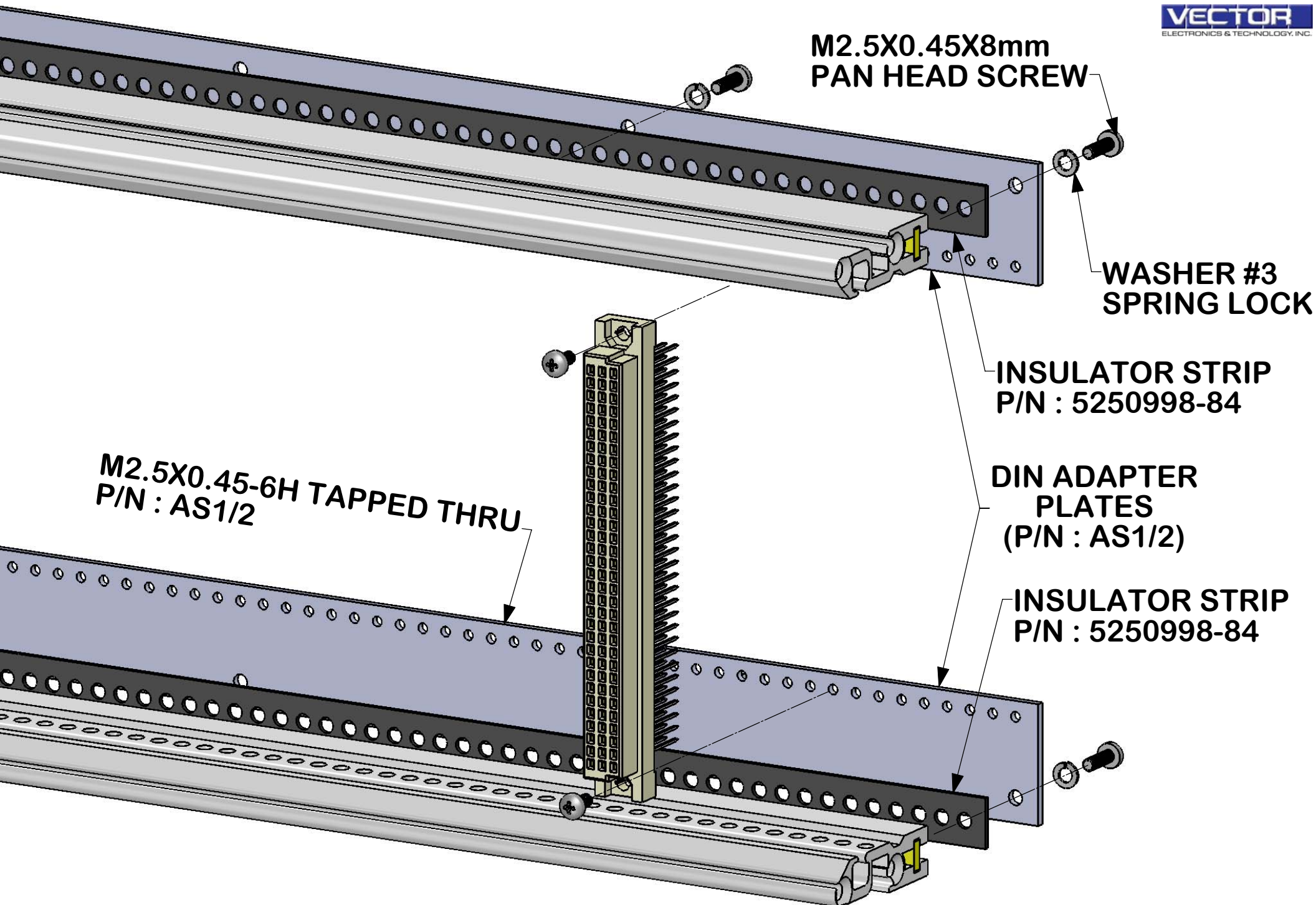


**WASHER #8
INTERNAL
TOOTH LOCK**

**M4X0.7X12mm
PAN HEAD SCREW**
TORQUE 6.5-7 IN-LBS

5 INSTALL BACKPLANE





M2.5X0.45X8mm
PAN HEAD SCREW

WASHER #3
SPRING LOCK

INSULATOR STRIP
P/N : 5250998-84

DIN ADAPTER
PLATES
(P/N : AS1/2)

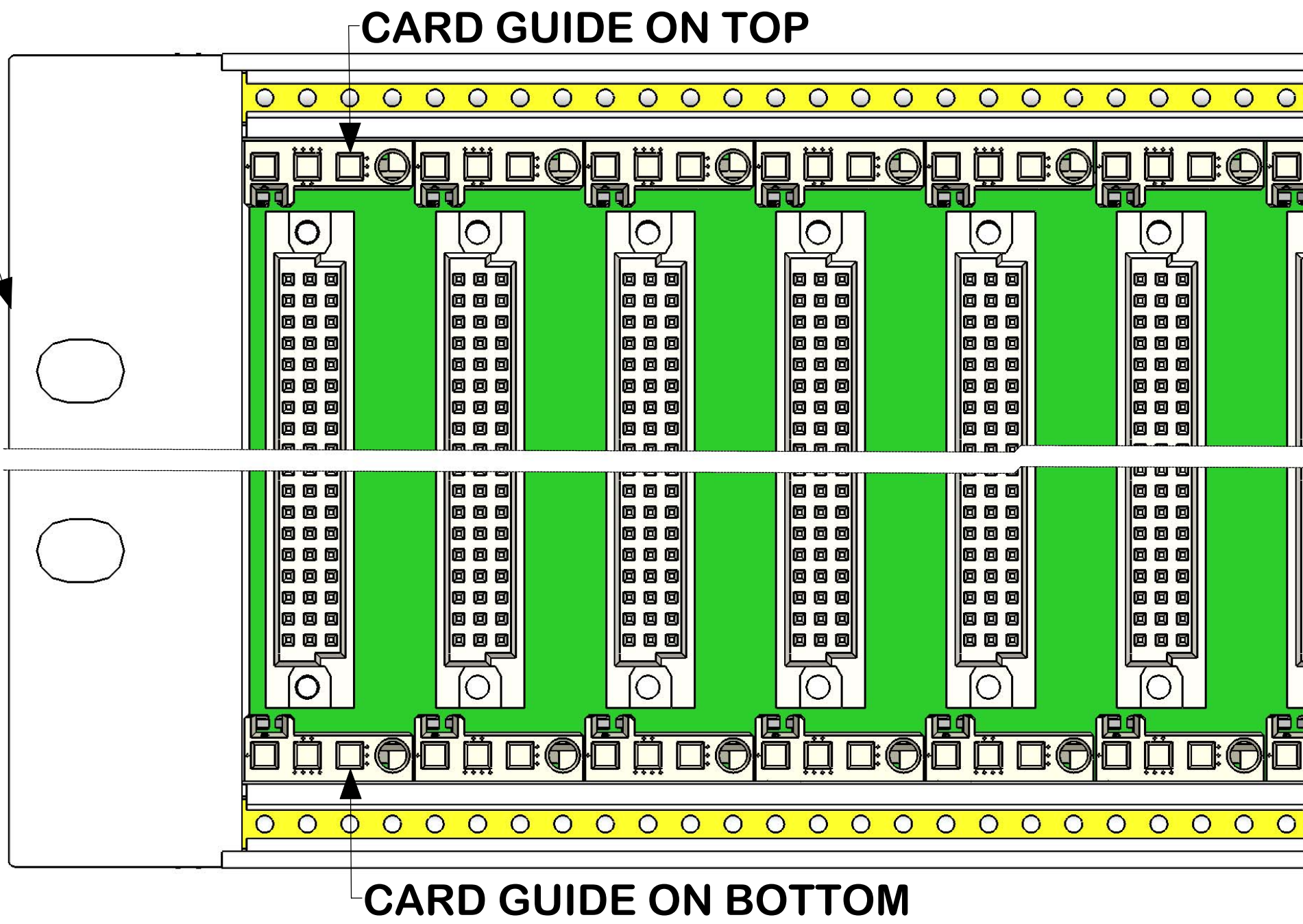
INSULATOR STRIP
P/N : 5250998-84

M2.5X0.45-6H TAPPED THRU
P/N : AS1/2

6 DIN ADAPTER STRIP INSTALLATION

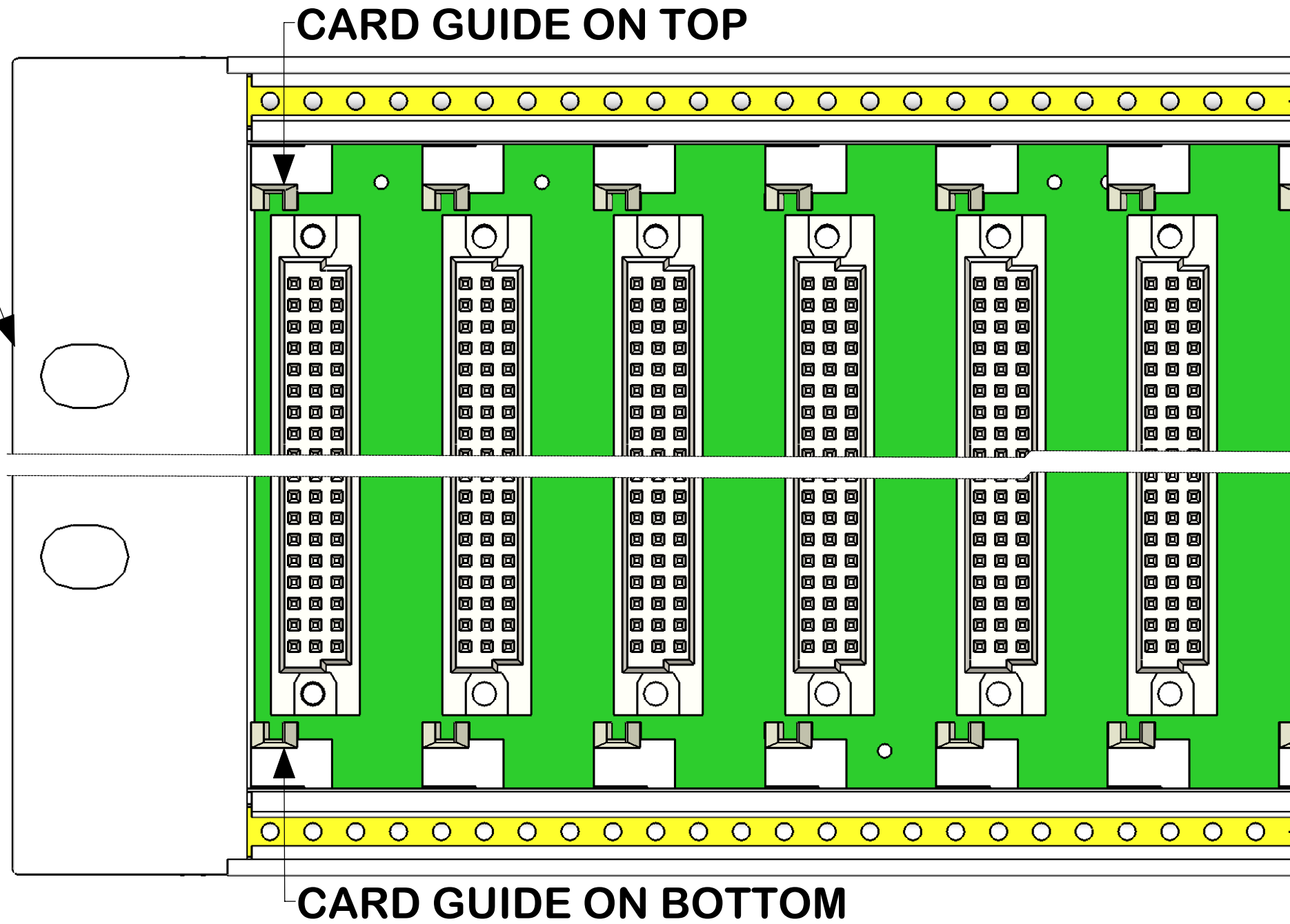
7.1 RELATION OF CARD GUIDE TO CONNECTORS

CG3 SERIES CARD GUIDE
INSTALLATION

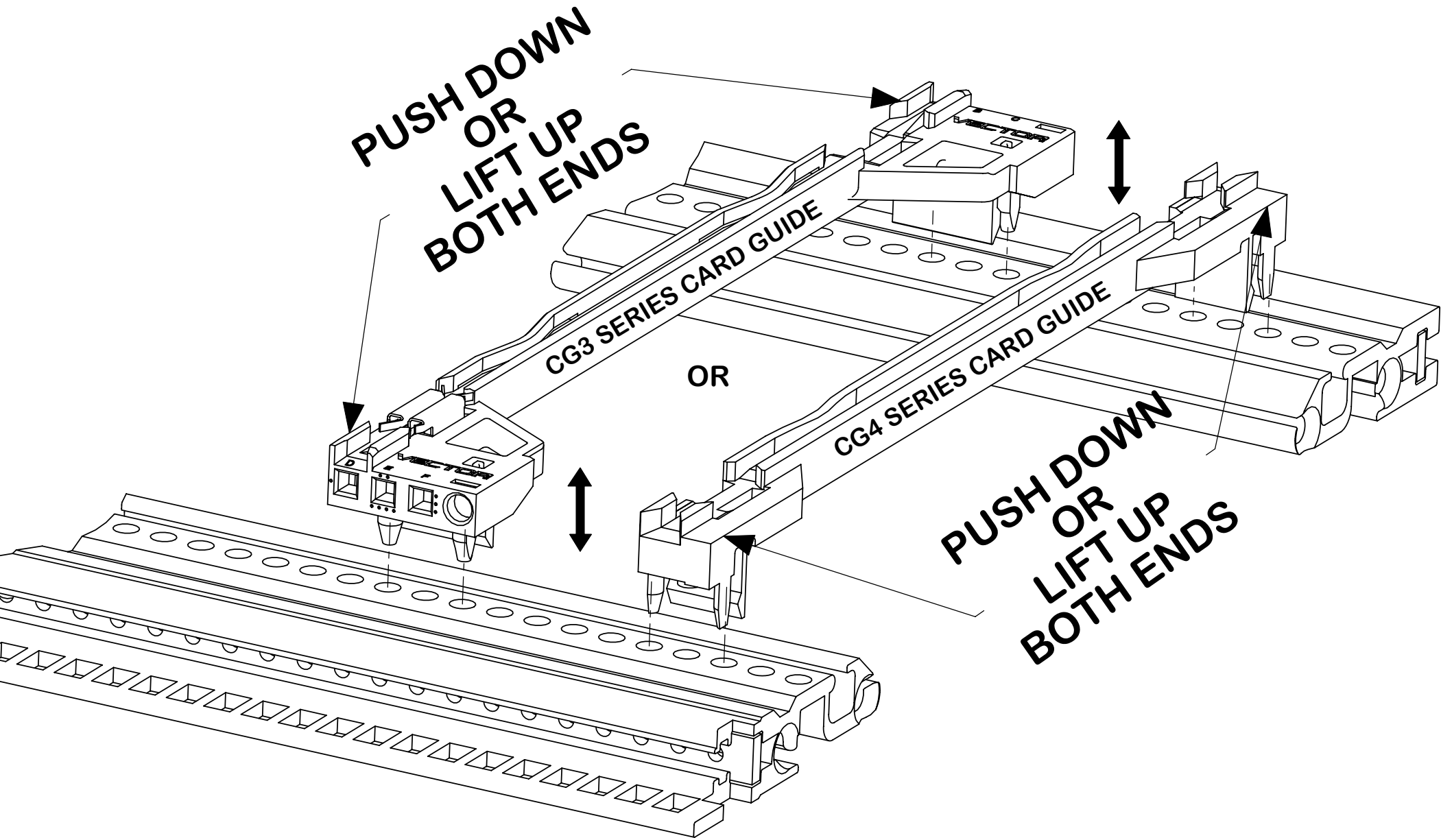


7.2 RELATION OF CARD GUIDE TO CONNECTORS

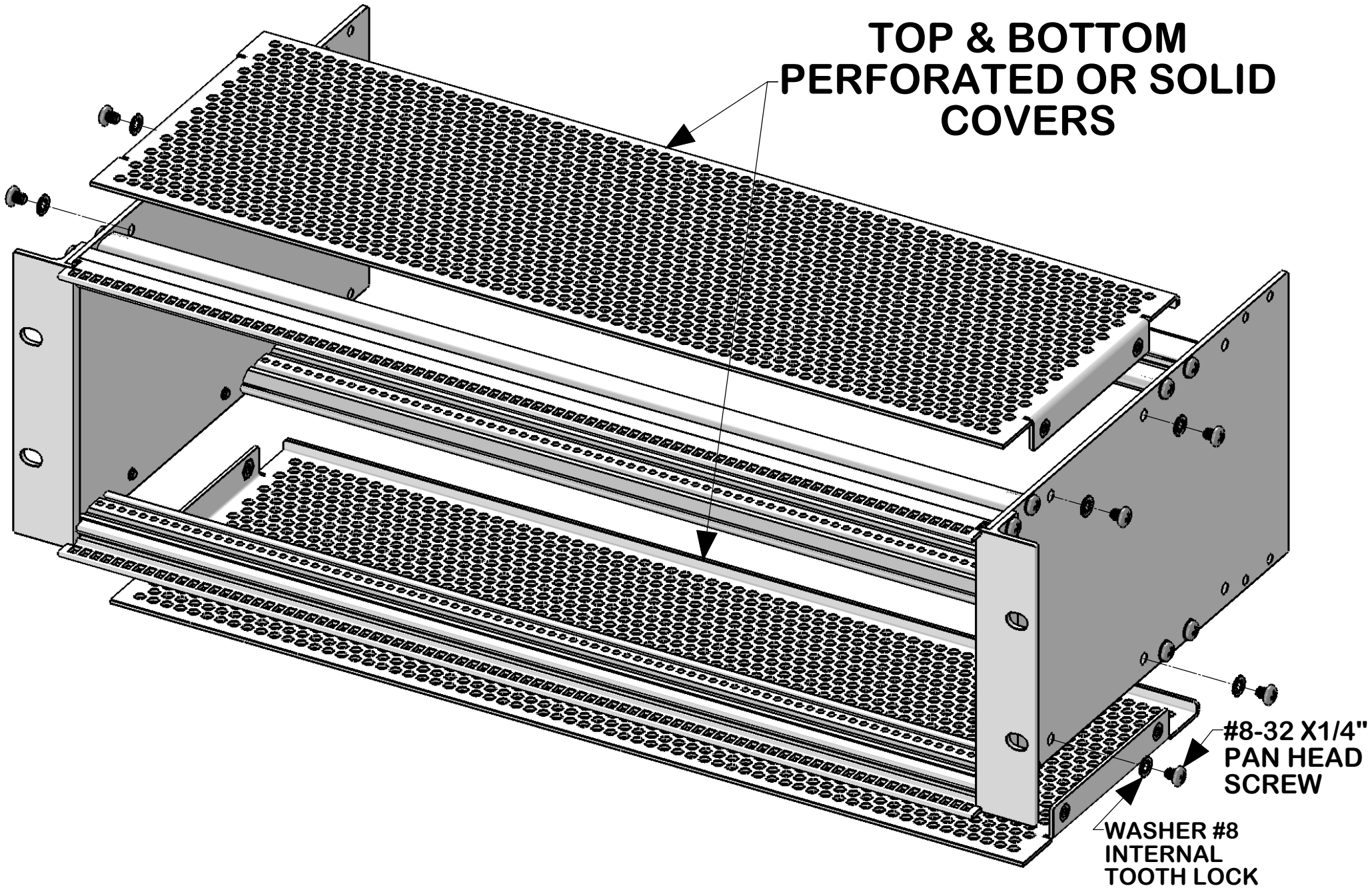
**CG4 SERIES CARD GUIDE
INSTALLATION**



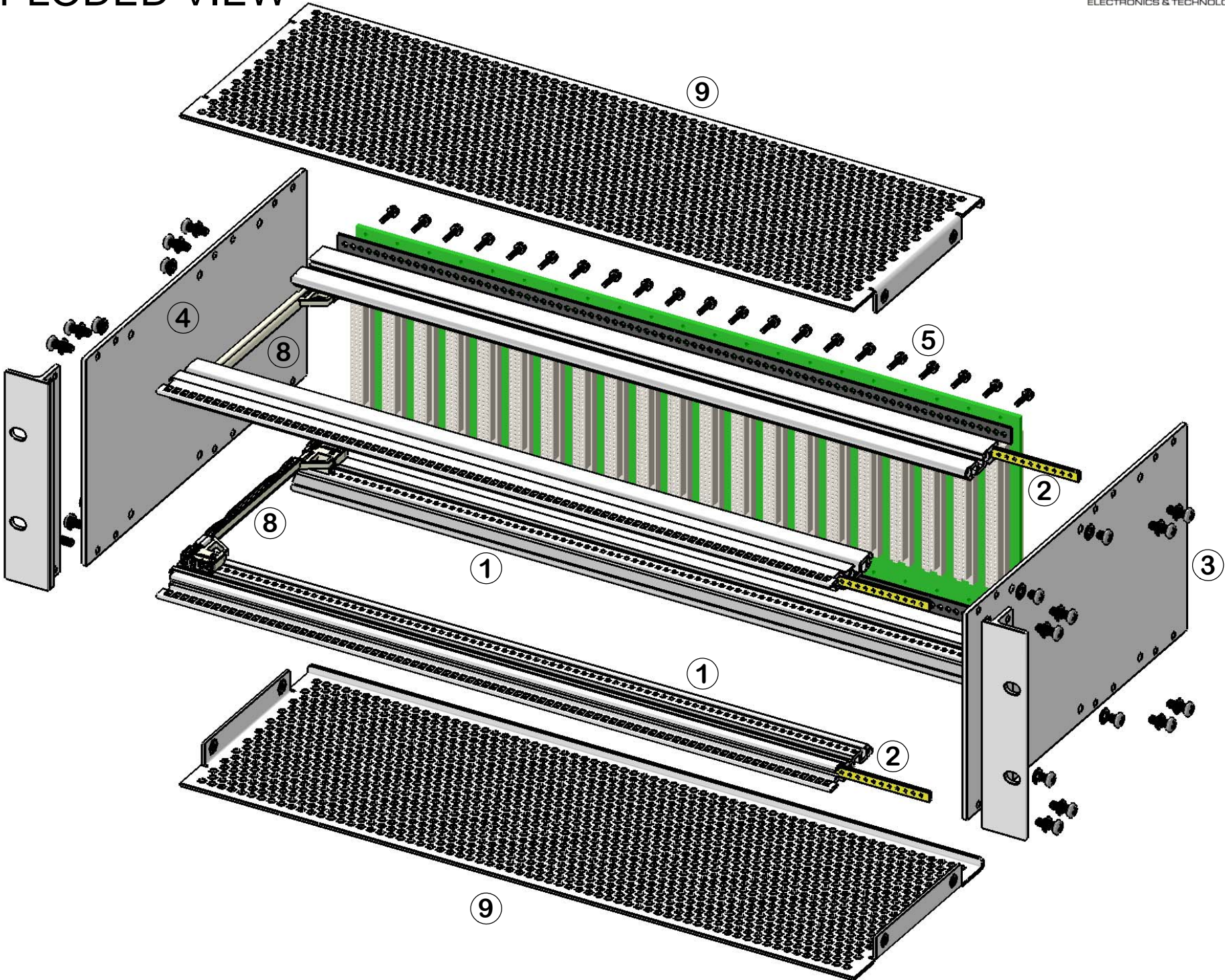
8 CARD GUIDE INSTALLATION & REMOVAL



9 TOP / BOTTOM COVER INSTALLATION



10 EXPLODED VIEW



11 FULLY ASSEMBLED

