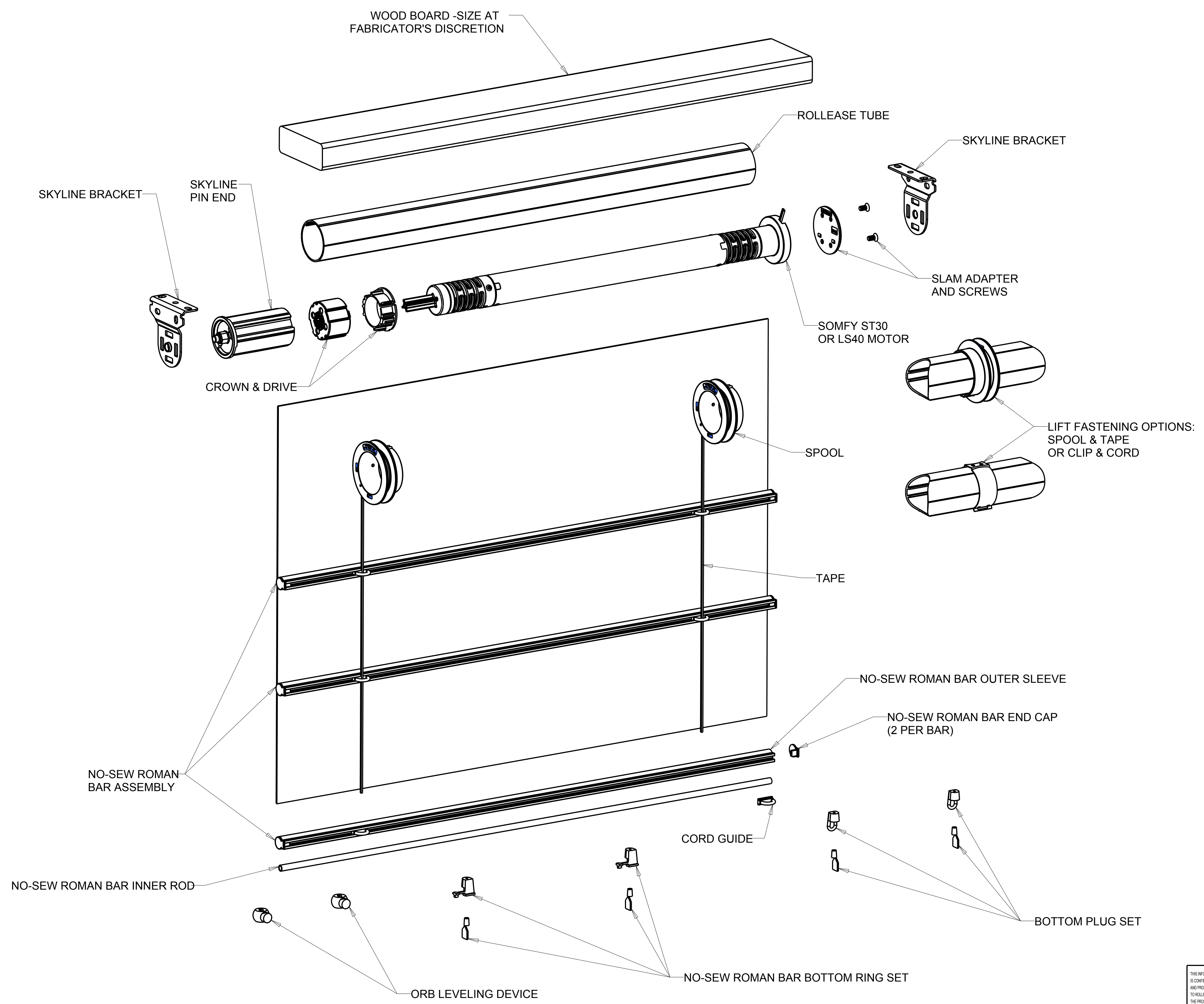


| REVISION RECORD |             |    |      |     |
|-----------------|-------------|----|------|-----|
| SYM             | DESCRIPTION | BY | DATE | CHK |
|                 |             |    |      |     |



|   |            |  |  |                                       |
|---|------------|--|--|---------------------------------------|
| <small>THIS INFORMATION IS CONFIDENTIAL AND PROPRIETARY TO ROLLEASE, INC. THE PROSESSOR AGREES TO MAINTAIN THIS INFORMATION AS CONFIDENTIAL, NOT REPRODUCE OR RELEASE IN WHOLE OR IN PART TO ANY THIRD PARTY.</small> | INCHES     | <b>RollEase</b><br>Window Covering Systems   |  |                                       |
|   | TOLERANCES | <small>XXX ± 0.015</small><br><small>XXXX ± 0.005</small><br><small>ANG ± 1°</small> | <small>DATE</small><br><b>14MAY13</b>            | <small>SCALE</small><br><b>D</b>      |
|   | DATE       | <small>DESIGNED/DRAWN/ISSUED</small><br><b>W174P026</b>                              | <small>TITLE</small><br><b>ROLLER ROMAN ST30</b> | <small>REV</small><br><b>1.2</b>      |
|   | BY         | <small>ENGINEER</small><br><b>RAE</b>  | <small>DATE</small><br><b>14MAY13</b>            | <small>CHK</small><br><b>1</b>        |
|   | BY         | <small>DATE</small><br><b>14MAY13</b>  | <small>CHK</small><br><b>1</b>                   | <small>DATE</small><br><b>14MAY13</b> |