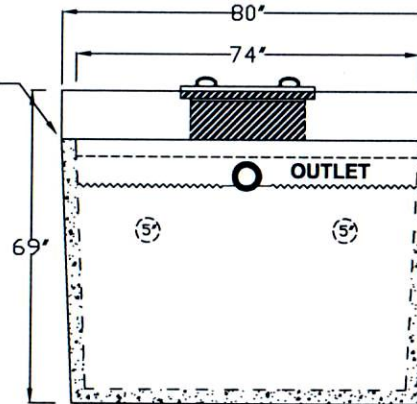
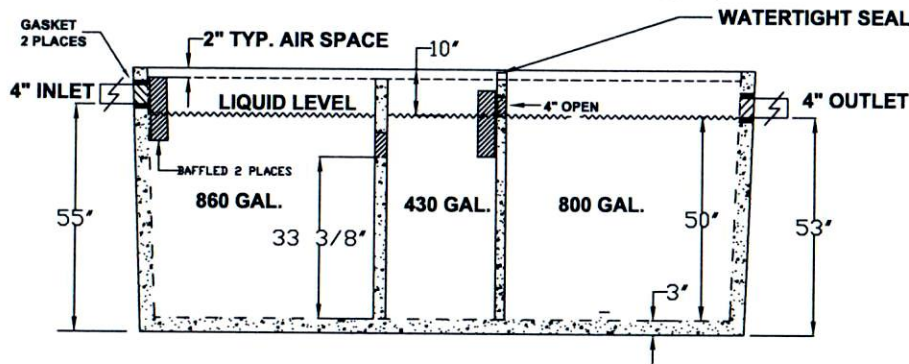


(DIM. WITH 6" COVER SHOWN)



GROVE CONCRETE & SUPPLY, INC.
 18426 DURAND AVENUE P.O. BOX 383
 UNION GROVE, WISCONSIN 53182
 (262) 878-2030 FAX (262) 878-4222
 GroveConcrete.com

NOTES:

1. REINFORCED CONCRETE 4,000 PSI MIN.
2. (GASKETED 4" OPENINGS) PRESS SEAL, TUFF TITE OR EQUAL.
3. ALL BAFFLES & FILTERS TO BE INSTALLED BY INSTALLER TO MEET STATE & LOCAL CODES.
4. THIS TANK IS BUILT IN COMPLIANCE OF SECT. 905.40 I.L. PRIVATE SEWAGE CODE.

**1290 GAL. 2 COMP - 800 GAL. PUMP
 SEPTIC & PUMP- SEPTIC SEPTIC-
 GREASE OR HOLDING OR PUMP**

**FOR ANY MODIFICATIONS CALL
 GROVE CONCRETE**

DRAWN BY: RAY DATE: 6/11/15

SCALE: NTS EST. WIEGHT:
 12,494 LBS. TANK NO TOP
 19,500 LBS. WITH 6" TOP
 23,450 LBS. WITH 10" TOP

DWG. # TNK-2090-3C VERSION: 00001
 ILL. APPROVAL # 114

APPROVED BY:

THIS DRAWING AND THE INFORMATION CONTAINED HEREIN IS THE EXCLUSIVE PROPERTY OF GROVE CONCRETE & SUPPLY, INC. AND SHALL NOT BE REPRODUCED, USED, OR DISCLOSED TO OTHERS EXCEPT AS AUTHORIZED THROUGH WRITTEN CONCENT FROM GROVE CONCRETE & SUPPLY, INC.