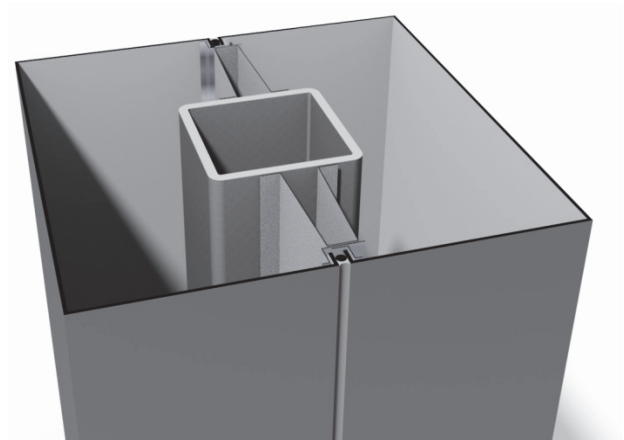
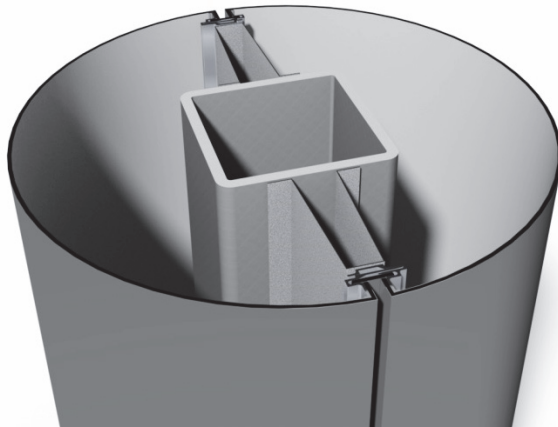


3207 Labore Road | Vadnais Heights, MN 55110
Phone: 651-646-1706 | Fax: 651-646-1684
email: atomic@atomicsheetmetal.com
www.atomicsheetmetal.com

ASM Column Cover



The ASM Column Cover features:

- 4mm aluminum composite material (Most common)
- Various profiles (Round, Square, Rectangle, Full Column or Half)
- Fabricated on a CNC machine using the route and returned method
- Dry-Joint, Wet Sealed, or Hairline Joint options
- Available in various Finishes (Colors, Woodgrains, Stone, Aluminum, & Stainless Steel)
- We work with the top composite material manufacturers for a wide range of color and finish options

Please contact us for more information regarding pricing, installation, detailing, or for any questions you may have.
4/6/2021