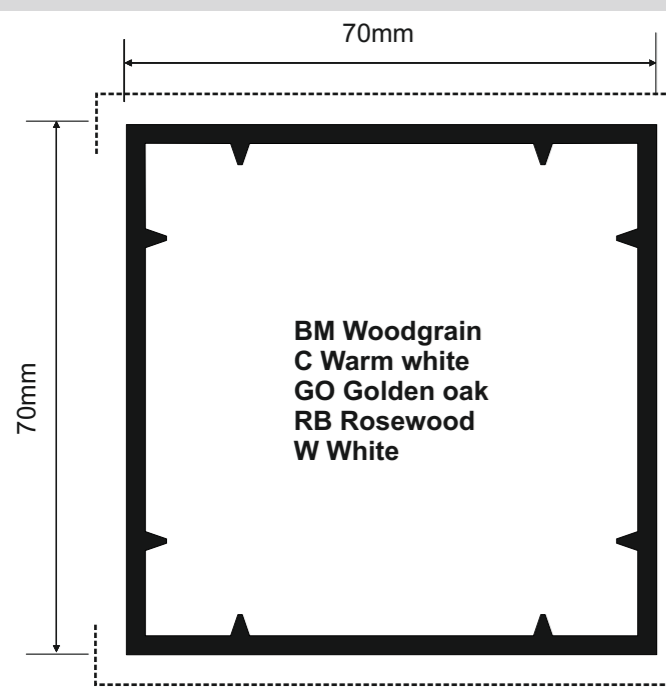
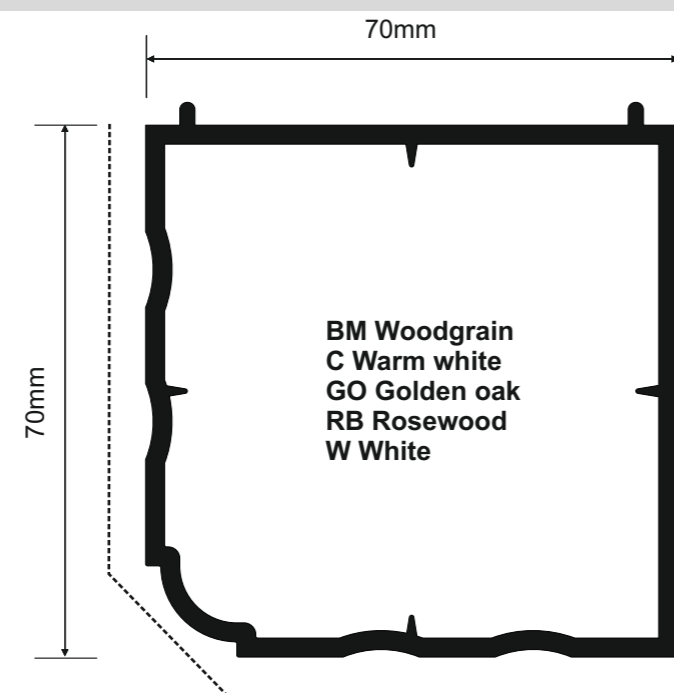


Diamond 70mm Structural Ancillaries

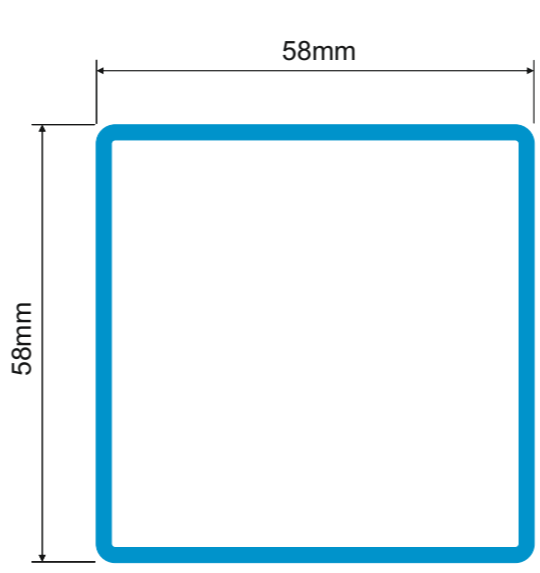
Square Post Components.



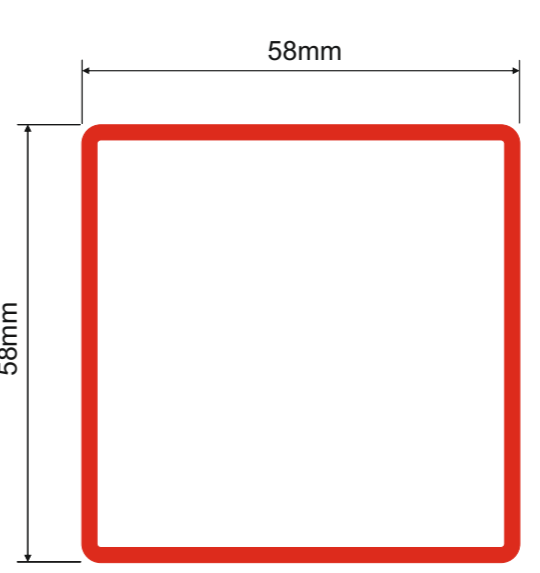
3635
Bay Corner Post
PVC-U
Suitable Reinforcements:
Aluminium: 1684
Steel: 1685



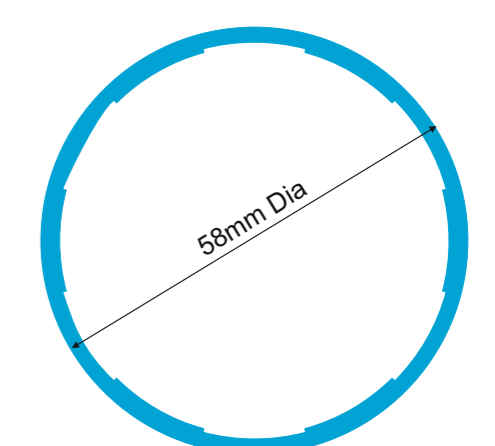
3820
Featured Bay Corner Post
PVC-U
Suitable Reinforcements:
Aluminium: 3813



1684
Bay Corner Post
Reinforcement
Aluminium:
For Use In: 3635 / 1682



1685S
Bay Corner Post
Reinforcement
Steel
For Use In: 3635 / 1682



3813
Featured Box Reinforcement
Aluminium 57mm dia
For Use In:
3820/3794

Structural Couplers

3965
Internal Cover
PVC

BK Black
BP Cream
GO Golden oak
RB Rosewood
RD Red
GK Slate grey 7015
GR Dark grey 7016

3912
Structural Mullion
Steel

3967
External Cover
PVC

BK Black
BP Cream
GO Golden oak
RB Rosewood
RD Red
GK Slate grey 7015
GR Dark grey 7016

3909
Structural Mullion
Aluminium

3963
External Cover
PVC

BM Woodgrain
C Warm white
GO Golden oak
RB Rosewood
W White

3964
Internal Cover
PVC

BM Woodgrain
C Warm white
GO Golden oak
RB Rosewood
W White

2117
Structural Mullion
Aluminium

2118
Structural Mullion Capping
Aluminium

PO1597
Socket Head Bolt
M6 x 25mm

2119
Structural Mullion Cover
PVC-U

BM Woodgrain
C Warm white
GO Golden oak
RB Rosewood

Coupling Options.

3038
Inner Cover
PVC-U

BM Woodgrain
C Warm white
GO Golden oak
RB Rosewood
W White

3082
65mm/70mm/Patio jointing Bar
Aluminium

3550
70mm to Patio
Joint cover PVC-U

BM Woodgrain
C Warm white
GO Golden oak
RB Rosewood
W White

3038
Inner Cover
PVC-U

BM Woodgrain
C Warm white
GO Golden oak
RB Rosewood
W White

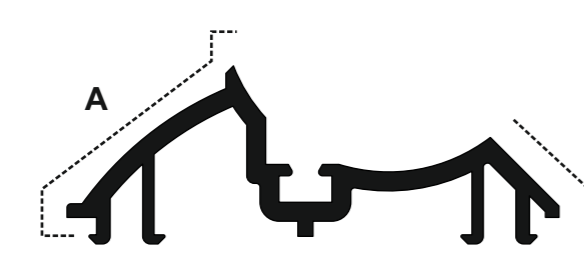
3549
70mm jointing Bar
Aluminium

3038
Inner Cover
PVC-U

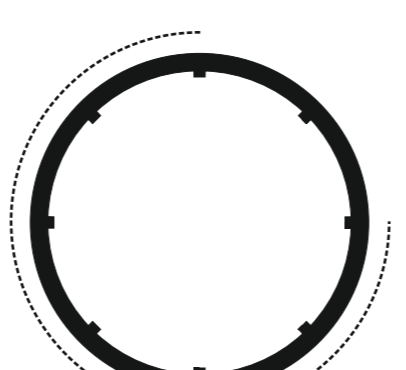
BM Woodgrain
C Warm white
GO Golden oak
RB Rosewood
W White

..... Indicates Foiled Faces

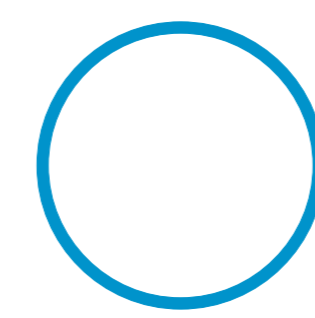
Bay Pole Components.



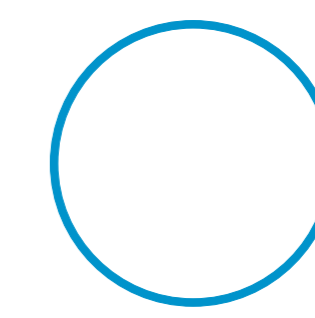
3795
Featured Bay Adaptor
For Use In: 1504



1504
Bay Pole Cladding
PVC-U
Suitable Reinforcements:
Aluminium: 03802, 2184

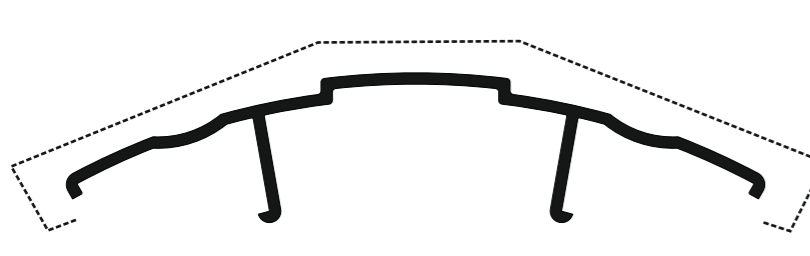


03802
Bay Pole Reinforcement
Aluminium (2.7mm)
For Use In:
1504



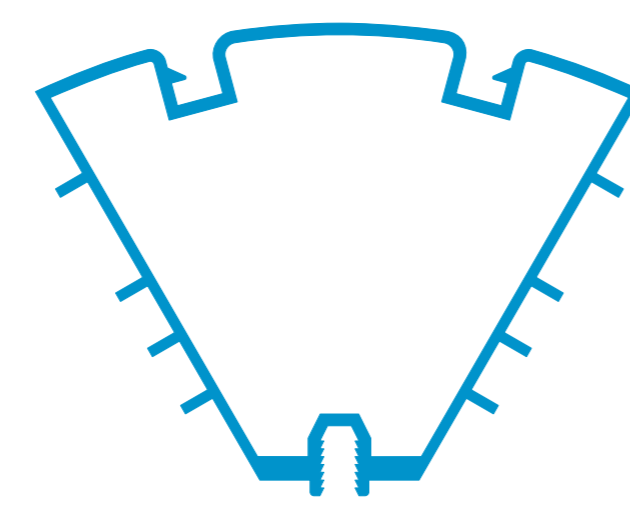
2184
Bay Pole Reinforcement
Aluminium (1.8mm)
For Use In:
1504

Fixed Angle Bay components.



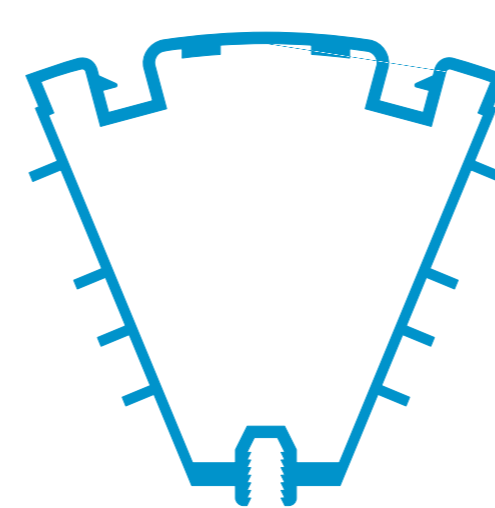
3856
Featured Outer Cover
PVC-U
For Use With:
3593, 3594, 3595

BM Woodgrain
C Warm white
GO Golden oak
RB Rosewood
W White

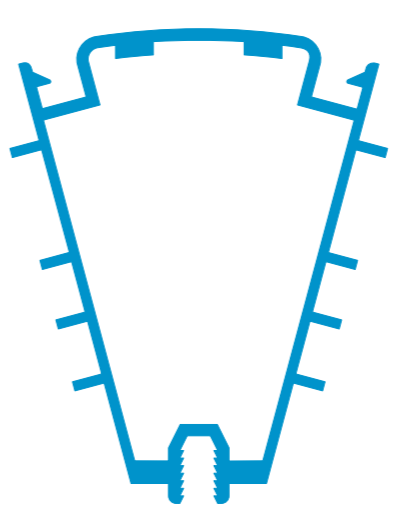


3595
120° Fixed Angle Bay Reinforcement
Aluminium
Covers:
Outer: 3037
Inner: 3038


BM Woodgrain
C Warm white
GO Golden oak
RB Rosewood
W White
BP Cream foil
BK Black
GK Slate grey
GY Light grey
GR Dark grey



3594
135° Fixed Angle Bay Reinforcement
Aluminium
Covers:
Outer: 3037
Inner: 3038



3593
150° Fixed Angle Bay Reinforcement
Aluminium
Covers:
Outer: 3037
Inner: 3038



3596
Bay Reinforcement Structural Insert
Aluminium
For Use In:
3593, 3594, 3595